

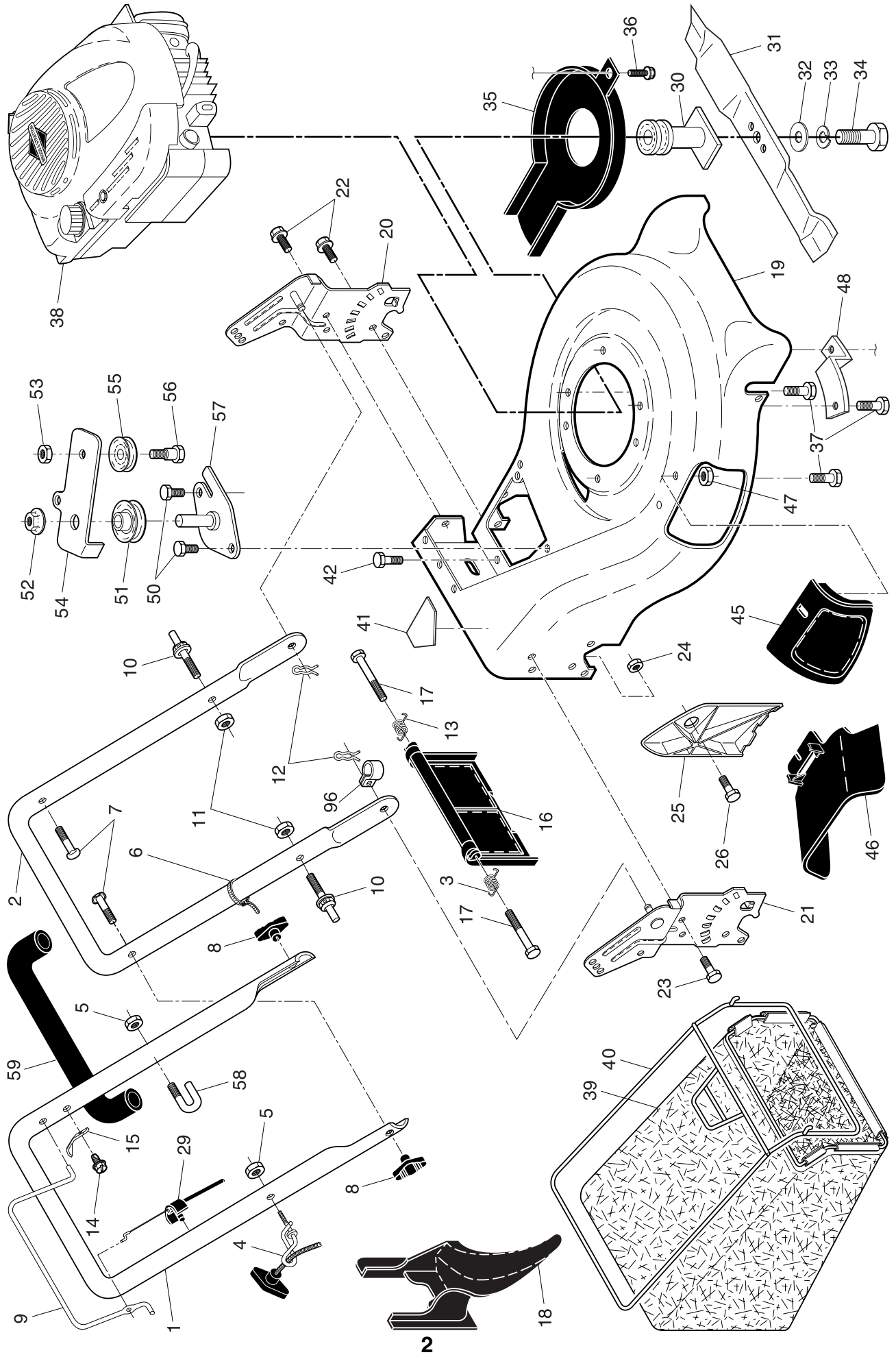
**ILLUSTRATED PARTS LIST**

**MODEL NUMBER M65B5SD**

**PRODUCT NUMBER 961 41 00-03**

**MFG. ID. NUMBER 96141000302**

**ROTARY LAWN MOWER - - MODEL NUMBER M65B53SD (96141000302) PRODUCT NUMBER 961 41 00-03**



**ROTARY LAWN MOWER - - MODEL NUMBER M65B53SD (9614100302) PRODUCT NUMBER 961 41 00-03**

KEY NO.	PART NO.	DESCRIPTION	KEY NO.	PART NO.	DESCRIPTION
1	532 40 31-96	Handle, Upper (Includes Foam Grip)	32	532 85 10-74	Washer
2	532 19 60-05	Handle, Lower	33	<b>532 40 91-48</b>	Washer, Lock
3	<b>532 40 54-16</b>	Spring, Rear Door, RH	34	532 85 10-84	Bolt, Hex Head
4	532 19 47-88	Rope Guide	35	532 18 87-86	Debris Shield
5	532 13 20-04	Nut, Hex, with Lockwasher Insert 1/4-20	36	532 19 23-25	Screw, Machine #8
6	532 06 64-26	Wire, Tie	37	532 15 04-06	Bolt, Engine
7	532 19 15-74	Bolt, Handle 5/16-18 x 1.75	38	- - -	Engine, Briggs & Stratton, Model Number 124K02 (Order Parts From Engine Manufacturer)
8	532 08 76-92	Knob, Handle			
9	532 19 84-64	Control Bar	39	<b>532 41 06-76</b>	Grassbag
10	532 18 88-21	Bolt, Carriage	40	<b>532 40 74-53</b>	Frame, Grassbag
11	873 93 05-00	Nut, Hex, Centerlock 5/16-18	41	532 18 21-66	Danger Decal
12	532 05 17-93	Hairpin, Cotter	42	532 05 45-83	Screw
13	<b>532 40 54-15</b>	Spring, Rear Door, LH	45	532 19 13-41	Door, Mulcher
14	532 75 06-34	Screw	46	532 19 12-10	Discharge Deflector
15	532 12 51-62	Bracket, Upstop	47	532 08 83-49	Nut, Hex
16	<b>532 40 88-88</b>	Rear Door	48	532 19 09-39	Mounting Bracket, Debris Shield
17	532 18 41-93	Bolt, Rear Door	50	532 05 78-08	Screw
18	532 19 81-70	Plug, Mulcher	51	532 19 37-91	Pulley Assembly
19	<b>532 40 97-33</b>	Kit, Housing	52	532 14 52-12	Flange Nut
20	532 19 40-29	Handle Bracket Assembly, LH	53	532 15 55-52	Locknut, Hex
21	532 19 40-31	Handle Bracket Assembly, RH	54	532 19 68-12	Idle Arm
22	532 15 00-78	Screw, Hex Washer Head	55	532 16 60-43	Idle Pulley
23	532 16 31-83	Bolt, Hex Head 5/16-18 x 5/8	56	532 16 08-29	Shoulder Bolt
24	873 80 05-00	Locknut, Hex	57	532 19 33-15	Bracket Assembly
25	532 16 13-33	Baffle, Side	58	532 18 20-03	Clip, Packaging
26	532 16 34-09	Screw #12 x 5/8	59	532 18 63-62	Grip, Foam
29	532 19 12-21	Cable, Engine Zone Control	96	<b>532 19 79-91</b>	Clip, Cable
30	532 18 91-79	Blade Adapter / Pulley	- -	532 18 21-34	Warning Decal (not shown)
31	532 19 93-77	Blade, 21"	- -	<b>532 40 97-35</b>	Operator's Manual, European

**NOTE:** All component dimensions given in U.S. inches. 1 inch = 25.4 mm. **IMPORTANT:** Use only Original Equipment Manufacturer (O.E.M.) replacement parts. Failure to do so could be hazardous, damage your lawn mower and void your warranty.



**ROTARY LAWN MOWER - - MODEL NUMBER M65B53SD (9614100302) PRODUCT NUMBER 961 41 00-03**

KEY NO.	PART NO	DESCRIPTION	KEY NO.	PART NO	DESCRIPTION
1	<b>532 40 01-62</b>	Drive Control Assembly, Vari-Speed, with Cable	33	<b>532 40 91-48</b>	Nut, Hex, Flangelock 3/8-16
2	532 19 84-53	Control Bar, Drive	35	<b>532 41 09-22</b>	Shaft Assembly, Rear
3	532 19 17-30	Nut, Hex	36	<b>532 41 09-33</b>	Shaft Assembly, Front
4	<b>532 19 96-87</b>	Screw	37	532 16 14-63	Retainer, Front Shaft
5	532 40 28-07	Cover Drive	38	532 16 34-09	Screw #12 x 5/8
6	532 75 06-34	Screw, Threaded, Rolled #10-25 x .50	39	<b>532 40 70-59</b>	Bolt, Shoulder, Semi-Gimlett Point
7	<b>532 18 36-88</b>	V-Belt	40	<b>532 40 61-55</b>	Wheel & Tire Assembly, Front 8 x 1 3/4
9	<b>532 19 34-43</b>	Pulley, Drive	41	532 17 51-01	Seal, Friction
10	532 17 51-03	Pinion, Gear	42	532 18 83-31	Pinion Assembly, RH
11	532 18 76-53	Screw	44	532 18 83-30	Pinion Assembly, LH
12	532 17 51-02	Retainer, Drive, RH	45	<b>532 06 77-25</b>	Washer
13	532 18 86-45	Gearcase Assembly, Complete	46	532 17 51-05	Retainer, Drive, LH
16	<b>532 40 71-47</b>	Rod, Connecting	47	532 06 77-25	Washer, Flat 1/2
17	<b>532 40 96-16</b>	Spring, Extension	50	532 18 75-30	* Case, Lower
18	532 19 61-62	Spring, Selector	51	532 18 75-31	* Case, Upper
19	<b>532 41 13-67</b>	Knob, Selector Spring	52	532 18 75-32	Gear, 24 Teeth
20	812 00 00-22	E-Ring 7/8	53	532 18 75-33	Shaft, Input
21	532 16 33-65	Bearing Support	54	532 18 35-05	Wire, Formed
22	532 16 99-11	Bearing, Ball	55	532 18 35-06	Bearing, Ball
23	532 16 45-55	Retainer, Drive Assembly, Stamped	56	532 18 35-08	Seal, Output Shaft
24	532 05 78-08	Screw, Hex Head, Tapping 1/4-20 x .75	57	532 18 35-09	Washer
25	532 17 50-98	Pawl	58	532 18 35-11	Bushing
26	532 18 82-91	Spring, Torsion	59	532 19 12-49	Shaft, Output
27	532 05 21-60	Washer, Shim (as required)	60	532 18 35-13	Screw
28	812 00 00-58	E-Ring 7/16	61	532 18 35-14	Seal, Input Shaft
29	532 18 94-03	Cover, Dust, Wheel			
30	532 17 51-04	Disc, Drive			
32	<b>532 40 29-36</b>	Wheel & Tire Assembly, Rear (Driven) 8 x 1 3/4			

\* Use Dow Corning #709 to reseal Gear Case Halves.

**NOTE:** All component dimensions given in U.S. inches. 1 inch = 25.4 mm. **IMPORTANT:** Use only Original Equipment Manufacturer (O.E.M.) replacement parts. Failure to do so could be hazardous, damage your lawn mower and void your warranty.