

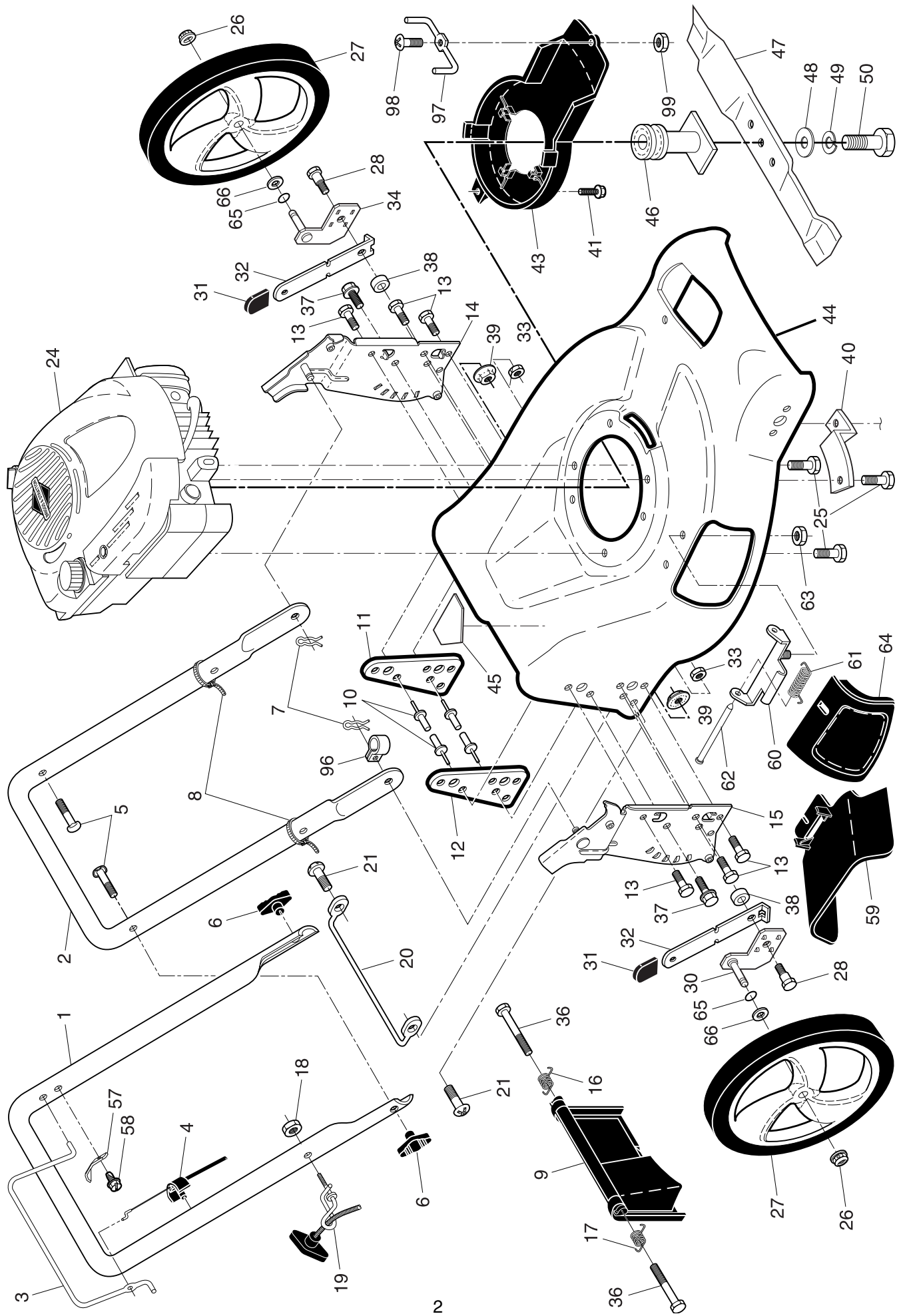
ILLUSTRATED PARTS LIST

CUSTOMER MODEL NUMBER M6553D

PRODUCT NUMBER 961 41 01-49

MFG. ID. NUMBER 96141014900

ROTARY LAWN MOWER -- MODEL NUMBER M6553D (96141014900) PRODUCT NO. 961 41 01-49



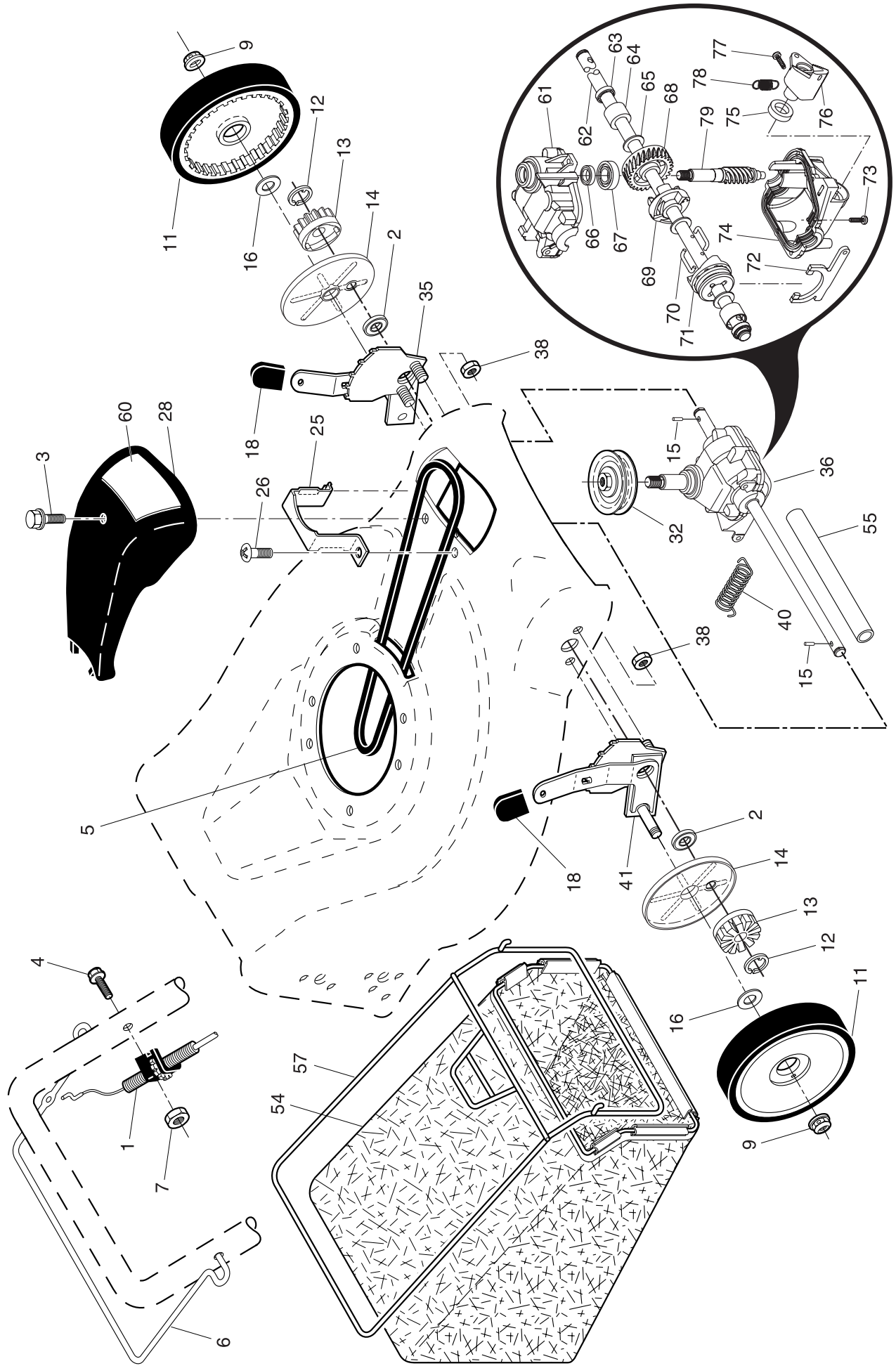
ROTARY LAWN MOWER - - MODEL NUMBER **M6553D** (96141014900) PRODUCT NO. 961 41 01-49

KEY NO.	PART NO.	DESCRIPTION	KEY NO.	PART NO.	DESCRIPTION
1	532 19 84-59	Upper Handle	37	874 78 05-12	Thread Cutting Screw w/Sems 5/16-18 x 3/4
2	532 15 36-05	Lower Handle	38	819 11 22-06	Washer
3	532 19 84-64	Control Bar	39	532 19 85-41	Nut
4	532 18 35-67	Engine Zone Control Cable	40	532 19 09-39	Mounting Bracket, Debris Shield
5	532 19 15-74	Handle Bolt	41	532 19 23-25	Screw
6	532 19 19-38	Handle Knob	43	532 19 89-10	Debris Shield
7	532 05 17-93	Hairpin Cotter	44	532 40 92-65	Kit, Lawn Mower Housing (Includes Key Numbers 10, 11, 12 and 45)
8	532 06 64-26	Wire Tie	45	532 18 21-66	Danger Decal
9	532 40 69-85	Rear Door	46	532 19 77-52	Blade Adapter
10	532 12 84-15	Pop Rivet	47	532 19 93-77	Blade, 21"
11	532 41 05-40	Support Bracket, LH	48	532 85 10-74	Hardened Washer
12	532 41 05-42	Support Bracket, RH	49	532 85 02-63	Helical Washer 3/8-24 x 1-3/8 Grade 8
13	817 06 04-10	Screw 1/4-20 x 5/8	50	532 85 10-84	Hex Head Machine Screw 3/8-24 x 1-3/8 Grade 8
14	532 18 25-43	Handle Bracket Assembly, LH	57	532 12 51-62	Upstop Bracket
15	532 18 25-45	Handle Bracket Assembly, RH	58	532 75 06-34	Screw
16	532 40 54-17	Spring, Rear Door, LH	59	532 17 50-71	Discharge Deflector
17	532 40 54-18	Spring, Rear Door, RH	60	532 17 57-35	Hinge Bracket
18	532 13 20-04	Keps Locknut 1/4-20	61	532 19 30-00	Spring, Hinge
19	532 19 47-88	Rope Guide	62	532 17 56-50	Hinge Rod
20	532 41 05-36	Foot Guard, C.E.	63	873 80 04-00	Nut, Hex
21	532 05 45-83	Screw, Tapping 1/4-20 x 1/2	64	532 17 50-66	Mulcher Door
24	- - -	Engine, Briggs & Stratton, Model Number 124K02 (order parts from engine manufacturer)	65	532 19 74-80	O-Ring
25	532 15 04-06	Hex Head Thread Rolling Screw 3/8-16 x 1-1/8	66	532 08 83-48	Washer, Flat 1/2
26	532 14 52-42	Hex Flange Nut	96	532 19 79-91	Clip, Cable
27	532 40 35-09	Wheel & Tire Assembly, Rear, 12"	97	532 19 71-62	Belt Keeper
28	532 16 08-28	Shoulder Bolt 5/16-18 x .33	98	532 18 22-27	Screw
30	532 40 25-71	Axle Arm Assembly, Rear, RH	99	532 18 22-28	Nut, Hex
31	532 08 78-77	Selector Knob	--	532 18 21-34	Decal, Warning, Internal, Self-Propelled (not shown)
32	532 19 01-57	Selector Spring	--	532 40 93-89	Operator's Manual, European
33	873 80 05-00	Nut, Hex 5/16-18	--	532 40 93-90	Operator's Manual, Scandinavian
34	532 40 25-72	Axle Arm Assembly, Rear, LH	--	532 40 93-91	Operator's Manual, East Bloc
36	532 18 41-93	Bolt	--	532 40 93-92	Operator's Manual, Baltic

NOTE: All component dimensions given in U.S. inches. 1 inch = 25.4 mm

IMPORTANT: Use only Original Equipment Manufacturer (O.E.M.) replacement parts. Failure to do so could be hazardous, damage your lawn mower and void your warranty.

ROTARY LAWN MOWER -- MODEL NUMBER M6553D (96141014900) PRODUCT NO. 961 41 01-49



ROTARY LAWN MOWER - - MODEL NUMBER M6553D (96141014900) PRODUCT NO. 961 41 01-49

KEY NO.	PART NO.	DESCRIPTION	KEY NO.	PART NO.	DESCRIPTION
1	532 40 01-61	Drive Control Assembly (Includes Cable)	41	532 40 90-98	Kit, Wheel Adjuster, RH (Includes Knob and Bearing)
2	532 19 10-39	Bearing, Wheel Adjuster	54	532 19 48-53	Grassbag Assembly
3	532 17 52-62	Pan Head Tapping Screw #10-24 x 2-3/4	55	532 17 57-39	Driveshaft Cover
4	532 19 96-87	Hex Washer Head Screw 1/4-20 x 2.12	57	532 40 18-02	Frame, Grassbag
5	532 19 68-53	V-Belt	60	532 40 09-72	Decal, Drive Cover
6	532 19 84-53	Control Bar, Drive	61	532 19 68-86	Case, Upper
7	532 19 17-30	Locknut, Hex #10-24	62	532 19 68-85	Shaft, Output
9	532 08 39-23	Locknut, Hex	63	532 18 35-08	Seal, Output Shaft
11	532 40 29-36	Wheel & Tire Assembly	64	532 18 35-11	Bushing
12	812 00 00-58	E-Ring	65	532 18 35-09	Washer
13	532 40 38-49	Pinion	66	532 18 35-14	Seal, Worm Shaft
14	532 18 94-03	Dust Cover	67	532 18 35-06	Bearing, Ball
15	532 19 10-17	Pawl, Drive	68	532 18 34-99	Gear, 27 Teeth
16	532 06 77-25	Washer 1/2 x 1-1/2 x .134	69	532 19 68-84	Fixed Dog Clutch
18	532 08 78-77	Selector Knob	70	532 18 35-05	Wireform
25	532 19 90-89	Belt Keeper	71	532 19 68-83	Movable Dog Clutch
26	532 15 00-78	Screw	72	532 19 68-82	Fork
28	532 18 14-68	Drive Cover	73	532 18 35-13	Screw, Case
32	532 19 40-18	Drive Pulley	74	532 19 68-81	Case, Lower
35	532 40 90-97	Kit, Wheel Adjuster, LH (Includes Knob and Bearing)	75	532 19 68-80	Seal, Lever
36	532 18 82-96	Gearcase Assembly, Complete	76	532 19 68-79	Lever
38	873 80 04-00	Locknut, Hex 1/4-20	77	532 19 68-78	Screw, Lever
40	532 19 28-49	Spring	78	532 19 68-77	Spring
			79	532 18 35-02	Shaft, Worm

NOTE: All component dimensions given in U.S. inches. 1 inch = 25.4 mm

IMPORTANT: Use only Original Equipment Manufacturer (O.E.M.) replacement parts. Failure to do so could be hazardous, damage your lawn mower and void your warranty.