

ILLUSTRATED PARTS LIST

MODEL NUMBER M675T53FD

PRODUCT NUMBER 961 41 00-93

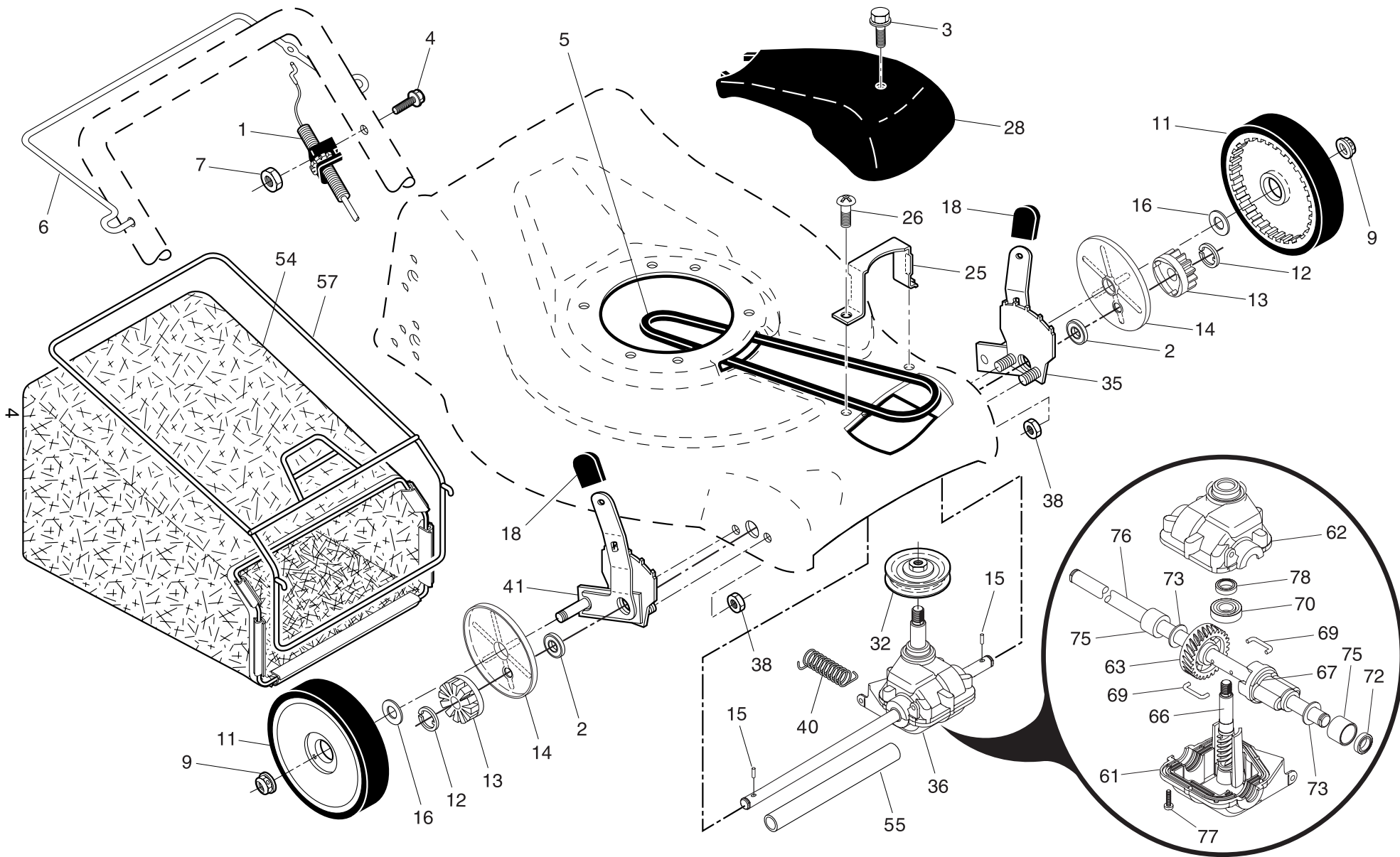
MFG. ID. NUMBER 96141009300

ROTARY LAWN MOWER - - MODEL NUMBER **M675T53FD** (96141009300) PRODUCT NUMBER 961 41 00-93

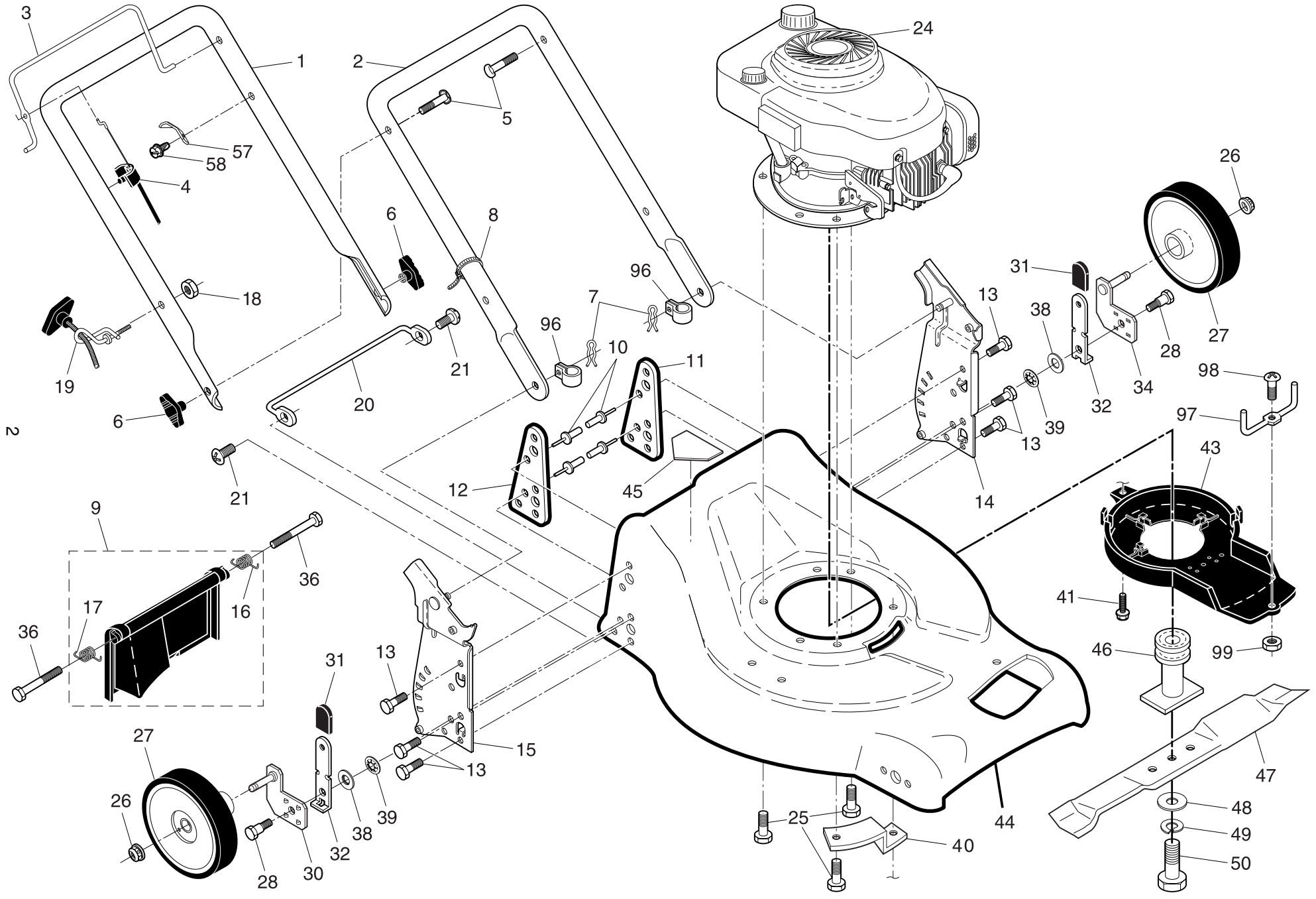
KEY NO.	PART NO.	DESCRIPTION	KEY NO.	PART NO.	DESCRIPTION
1	532 19 84-59	Upper Handle	28	532 18 93-12	Shoulder Bolt 5/16-18 x .33
2	532 19 36-05	Lower Handle	30	532 19 54-35	Axle Arm Assembly, Rear, RH
3	532 18 28-10	Control Bar	31	532 08 78-77	Selector Knob
4	532 17 51-48	Engine Zone Control Cable	32	532 19 01-57	Selector Spring
5	532 19 15-74	Handle Bolt	34	532 19 54-36	Axle Arm Assembly, Rear, LH
6	532 19 19-38	Handle Knob	36	532 18 41-93	Bolt
7	532 05 17-93	Hairpin Cotter	38	819 17 61-85	Washer
8	532 06 64-26	Wire Tie	39	532 17 62-35	Pushnut
9	532 18 04-79	Rear Door Kit (Includes Key #16 and 17)	40	532 19 09-39	Mounting Bracket, Debris Shield
10	532 12 84-15	Pop Rivet	41	532 19 23-25	Screw
11	532 18 25-38	Support Bracket, LH	43	532 19 89-10	Debris Shield
12	532 18 25-39	Support Bracket, RH	44	532 40 07-05	Lawn Mower Housing (Includes Key Numbers 10, 11, 12 and 45)
13	817 06 04-10	Screw 1/4-20 x 5/8	45	532 18 21-66	Danger Decal
14	532 19 01-54	Handle Bracket Assembly, LH	46	532 19 77-52	Blade Adapter / Pulley
15	532 19 01-53	Handle Bracket Assembly, RH	47	532 19 93-77	Blade 21"
16	532 18 00-71	Spring, Rear Door, LH	48	532 85 10-74	Hardened Washer
17	532 18 00-72	Spring, Rear Door, RH	49	532 85 02-63	Helical Washer 3/8-24 x 1-3/8 Grade 8
18	532 13 20-04	Keps Locknut 1/4-20	50	532 85 10-84	Hex Head Machine Screw 3/8-24 x 1-3/8 Grade 8
19	532 19 47-88	Rope Guide	57	532 12 51-62	Bracket, Upstop
20	532 17 92-05	Foot Guard, C.E.	58	532 75 06-34	Screw
21	532 05 45-83	Screw, Tapping 1/4-20 x 1/2	96	532 19 79-91	Clip, Cable
24	- - -	Engine, Tecumseh, Model Number LV195EA (Order parts from engine manufacturer)	97	532 19 71-62	Belt Keeper
25	532 15 04-06	Screw, Hex Head, Threaded, Rolled 3/8-16 x 1-1/8	98	532 18 22-27	Screw
26	532 08 39-23	Hex Flange Nut	99	532 18 22-28	Nut, Hex
27	532 40 05-42	Wheel & Tire Assembly	--	532 40 02-95	Operator's Manual, European

NOTE: All component dimensions given in U.S. inches. 1 inch = 25.4 mm. **IMPORTANT:** Use only Original Equipment Manufacturer (O.E.M.) replacement parts. Failure to do so could be hazardous, damage your lawn mower and void your warranty.

ROTARY LAWN MOWER - - MODEL NUMBER **M675T53FD** (96141009300) PRODUCT NUMBER 961 41 00-93



ROTARY LAWN MOWER - - MODEL NUMBER **M675T53FD** (96141009300) PRODUCT NUMBER 961 41 00-93



ROTARY LAWN MOWER - - MODEL NUMBER **M675T53FD** (96141009300) PRODUCT NUMBER 961 41 00-93

KEY NO.	PART NO.	DESCRIPTION
1	532 19 34-80	Drive Control Assembly (Includes Cable)
3	532 17 52-62	Pan Head Tapping Screw #10-24 x 2-3/4
4	532 18 56-81	Hex Washer Head Screw 1/4-20 x 2.12
5	532 19 68-53	V-Belt
6	532 19 84-53	Control Bar
7	532 19 17-30	Nut, Hex, Flanged 1/4-20
9	532 08 39-23	Locknut, Hex
11	532 40 05-43	Wheel & Tire Assembly
12	812 00 00-58	E-Ring
13	532 75 00-03	Gear, Pinion
14	532 18 94-03	Dust Cover
15	532 19 10-17	Pawl, Drive
16	532 06 77-25	Washer 1/2 x 1-1/2 x .134
18	532 08 78-77	Selector Knob
25	532 19 90-89	Belt Keeper
26	532 15 00-78	Screw
28	532 18 14-68	Drive Cover
32	532 19 40-18	Drive Pulley
35	532 19 51-10	Kit, Wheel Adjuster, LH (Includes Knob and Bearing)
36	532 18 82-96	Gearcase Assembly, Complete

KEY NO.	PART NO.	DESCRIPTION
38	873 80 04-00	Locknut, Hex 1/4-20
40	532 19 28-49	Spring
41	532 19 51-07	Kit, Wheel Adjuster, RH (Includes Knob and Bearing)
54	532 40 05-68	Grassbag Assembly
55	532 17 57-39	Driveshaft Cover
57	532 19 46-43	Frame, Grassbag
61	532 18 75-25 *	Case, Lower
62	532 18 75-26 *	Case, Upper
63	532 18 34-99	Gear, 27 Teeth
66	532 18 75-27	Shaft, Input
67	532 18 75-28	Spacer
69	532 18 35-05	Wire, Formed
70	532 18 35-06	Bearing, Ball
72	532 18 35-08	Seal, Output Shaft
73	532 18 35-09	Washer
75	532 18 35-11	Bushing
76	532 18 75-29	Shaft, Output
77	532 18 35-13	Screw
78	532 18 35-14	Seal, Input Shaft

* Use Dow Corning #709 to reseal Gear Case Halves.

NOTE: All component dimensions given in U.S. inches. 1 inch = 25.4 mm. **IMPORTANT:** Use only Original Equipment Manufacturer (O.E.M.) replacement parts. Failure to do so could be hazardous, damage your lawn mower and void your warranty.