

REPAIR PARTS MANUAL
MODEL NO. MM6556SMD
MFG. ID. NO. 96121001400
Rotary Lawn Mower



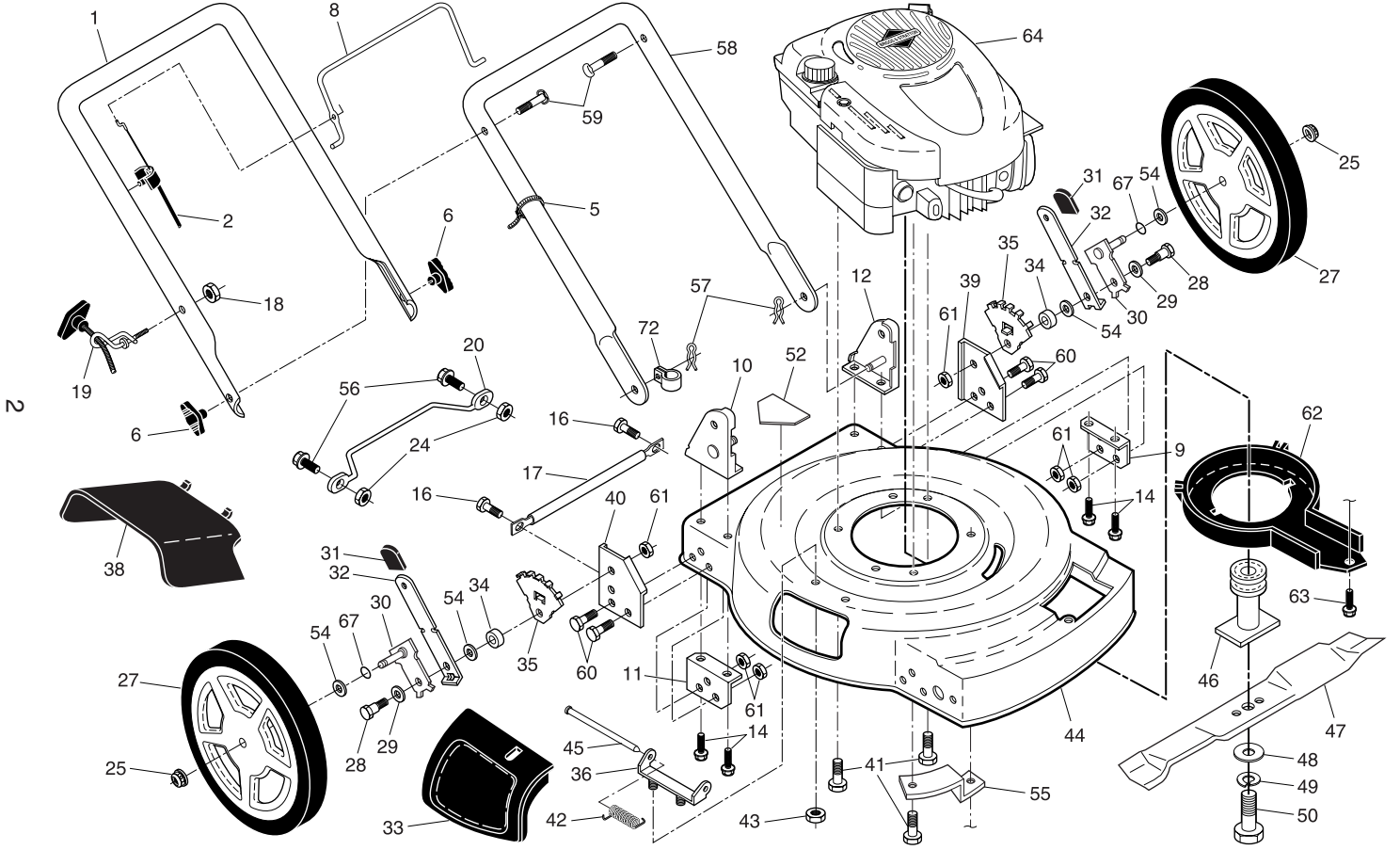
ROTARY LAWN MOWER - - MODEL NUMBER MM6556SMD (MFG. I.D. NUMBER 96121001400)

KEY NO.	PART NO.	DESCRIPTION	KEY NO.	PART NO.	DESCRIPTION
1	532 17 76-98	Upper Handle	40	532 40 33-81	Support Bracket, RH
2	532 18 35-67	Engine Zone Control Cable	41	532 15 04-06	Screw, Hex Head, Threaded, Rolled 3/8-16 x 1-1/8
5	532 06 64-26	Wire Tie	42	532 15 21-24	Spring, Torsion
6	532 19 19-38	Handle Knob	43	873 80 04-00	Locknut, Hex
8	532 14 67-71	Control Bar	44	532 40 08-28	Kit, Mower Housing (Includes Key Number 52)
9	532 19 58-00	Support Bracket, Handle, LH	45	532 14 72-86	Rod, Hinge
10	532 17 09-75	Handle Bracket Assembly, RH	46	532 18 91-79	Blade Adapter / Pulley
11	532 19 57-99	Support Bracket, Handle, RH	47	532 19 93-79	Blade, 22"
12	532 17 09-77	Handle Bracket Assembly, LH	48	532 85 10-74	Washer, Hardened
14	532 14 97-41	Screw, Thread Cutting 5/16-18 x 3/4	49	532 85 02-63	Washer, Lock, Helical
16	532 05 45-83	Screw, Tapping, Hex Head 1/4-20 x 1/2	50	532 85 10-84	Screw, Hex Head 3/8-24 x 1-3/8 (Grade 8)
17	532 17 71-41	Rod, Support	52	532 18 21-66	Decal, Danger
18	532 13 20-04	Locknut, Keps	54	532 08 83-48	Washer, Flat 3/8
19	532 19 47-88	Rope Guide	55	532 19 09-39	Mounting Bracket, Debris Shield
20	532 15 41-47	Foot Guard	56	532 08 58-25	Screw, Hex Washer Head #10-24 x 1/2
24	532 06 91-80	Nut, Hex	57	532 05 17-93	Hairpin Cotter
25	532 14 52-12	Locknut, Hex 3/18-16	58	532 15 50-44	Lower Handle
27	532 40 31-22	Wheel & Tire Assembly, Rear, 12"	59	532 19 15-74	Handle Bolt
28	532 14 27-48	Shoulder Bolt	60	874 76 06-12	Bolt, Hex Head 3/8-16 x 3/4
29	532 06 16-51	Belleville Washer	61	532 75 15-92	Locknut, Hex
30	532 19 60-21	Axle Arm Assembly	62	532 18 87-84	Debris Shield
31	532 08 78-77	Knob, Selector	63	532 19 23-25	Screw, Debris Shield
32	532 14 17-30	Spring, Selector	64	- - -	Engine, Briggs & Stratton, Model Number 124K02 (Order parts from engine manufacturer)
33	532 15 18-89	Discharge Guard			
34	532 14 66-30	Spacer	67	532 19 74-80	O-Ring
35	532 13 99-01	Bracket, Wheel Adjuster	72	532 19 79-91	Clip, Cable
36	532 15 41-32	Bracket, Housing	- -	532 18 21-34	Warning Decal (not shown)
38	532 17 65-09	Deflector, Discharge	- -	532 40 43-39	Operator's Manual, European
39	532 40 33-82	Support Bracket, LH	- -	532 40 43-40	Operator's Manual, Scandinavian

NOTE: All component dimensions given in U.S. inches. 1 inch = 25.4 mm.

IMPORTANT: Use only Original Equipment Manufacturer (O.E.M.) replacement parts. Failure to do so could be hazardous, damage your lawn mower and void your warranty.

ROTARY LAWN MOWER - - MODEL NUMBER **MM6556SMD** (MFG. I.D. NUMBER 96121001400)

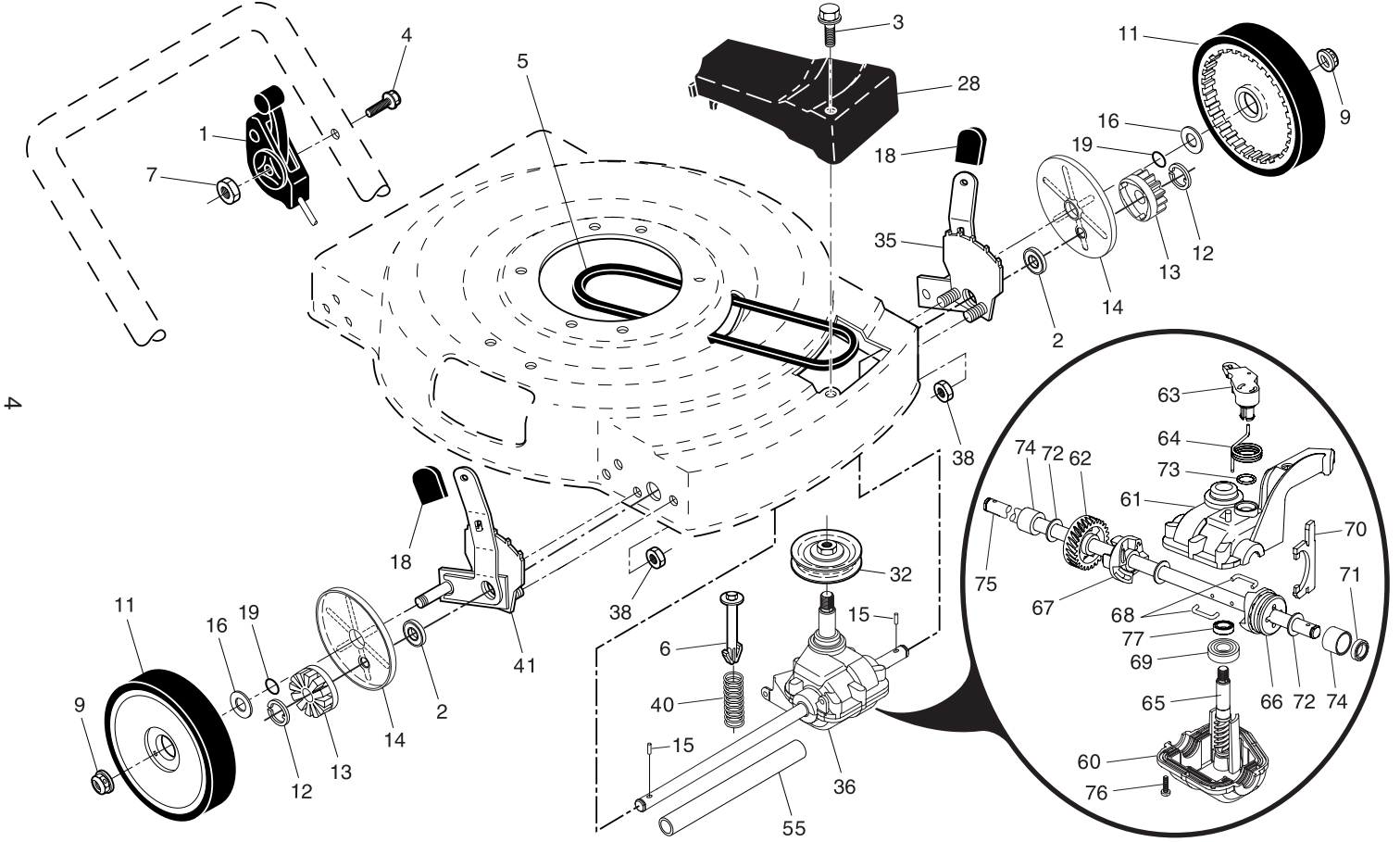


2

7

SERVICE NOTES

ROTARY LAWN MOWER - - MODEL NUMBER MM6556SMD (MFG. I.D. NUMBER 96121001400)



ROTARY LAWN MOWER - - MODEL NUMBER MM6556SMD (MFG. I.D. NUMBER 96121001400)

KEY NO.	PART NO.	DESCRIPTION	KEY NO.	PART NO.	DESCRIPTION
1	532 18 45-88	Drive Control Assembly (Includes Cable)	41	532 19 51-07	Kit, Wheel Adjuster, RH (Includes Knob and Bearing)
2	532 08 80-58	Bearing, Wheel Adjuster	55	532 08 60-12	Drive Shaft Cover
3	532 14 36-03	Screw, Tapping, Pan Head #10-24 x 2-3/4	60	532 18 34-97	* Case, Lower
4	532 15 87-55	Screw, Machine, Pan Head 1/4-20 x 2-3/16	61	532 18 34-98	* Case, Upper
5	532 14 65-27	V-Belt	62	532 18 34-99	Gear, 27 Teeth
6	532 15 04-95	Bolt, Hex Head 1/4-20 x 2	63	532 18 35-00	Lever, Clutch
7	532 19 17-30	Nut, Hex	64	532 18 35-01	Spring, Return
9	532 08 39-23	Locknut, Hex	65	532 18 35-02	Shaft, Input
11	532 19 80-88	Wheel & Tire Assembly, Front, 8"	66	532 18 35-03	Dog, Movable
12	812 00 00-58	E-Ring	67	532 18 35-04	Dog, Fixed
13	532 75 00-03	Pinion	68	532 18 35-05	Wire, Formed
14	532 18 94-03	Dust Cover	69	532 18 35-06	Bearing, Ball
15	532 19 10-17	Pawl, Drive	70	532 18 35-07	Fork, Shift
16	532 06 77-25	Washer	71	532 18 35-08	Seal, Output Shaft
18	532 08 78-77	Knob, Selector	72	532 18 35-09	Washer
28	532 19 58-11	Drive Cover	73	532 18 35-10	Seal, Case
32	532 19 41-26	Pulley, Drive	74	532 18 35-11	Bushing
35	532 19 51-10	Kit, Wheel Adjuster, LH (Includes Knob and Bearing)	75	532 19 65-61	Shaft, Output
36	532 19 49-36	Gear Case Assembly, Complete	76	532 18 35-13	Screw
38	873 80 04-00	Locknut, Hex	77	532 18 35-14	Seal, Input Shaft
40	532 13 70-90	Spring			

* Use Dow Corning #709 to reseal Gear Case Halves.

NOTE: All component dimensions given in U.S. inches. 1 inch = 25.4 mm.

IMPORTANT: Use only Original Equipment Manufacturer (O.E.M.) replacement parts. Failure to do so could be hazardous, damage your lawn mower and void your warranty.