

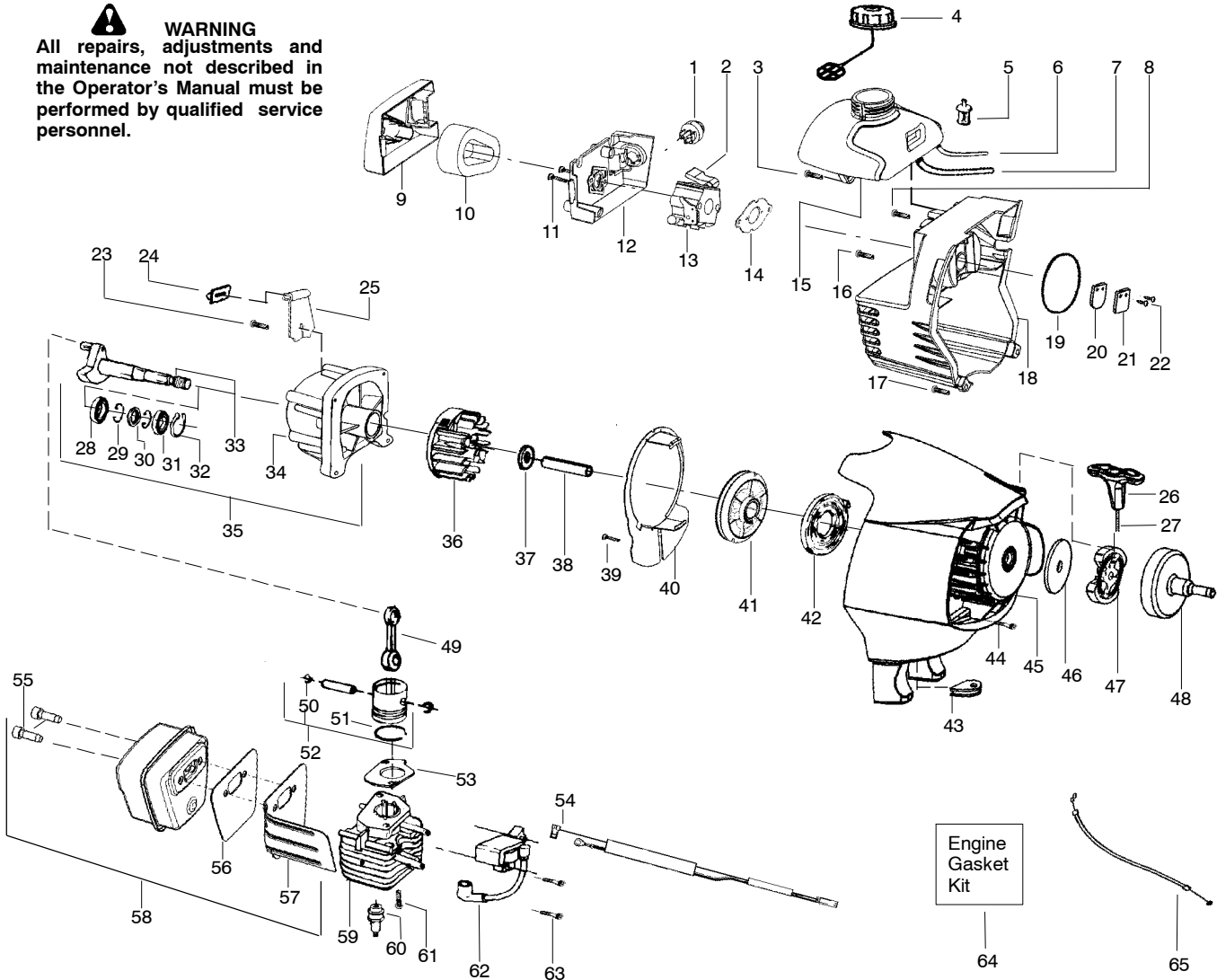
⚠ WARNING
All repairs, adjustments and maintenance not described in the Operator's Manual must be performed by qualified service personnel.

Ref.	Part No.	Description	Ref.	Part No.	Description	Ref.	Part No.	Description
1.	530096203	Flexshaft	21.	530056401	Wrench	40.	530071947	Kit-Metal Shield
2.	545008018	Kit-Driveshaft	22.	545150701	Bracket-Shield	41.	530095815	Dust cup
3.	530057986	Clamp-Harness(upper)	23.	530016312	Screw	42.	530055892	Assy.-Weed Blade
4.	545144301	Assy-Handle (incl. 5,16,17)	24.	530015775	Screw	43.	530095816	Washer
5.	530015820	Bolt	25.	530016014	Screw	44.	530016240	Washer-Belleville
6.	530015805	Screw-alignment	26.	530096100	Gearbox	45.	530015793	Nut-Flange
7.	530015886	Screw	27.	530092085	Shoulder Strap	Not Shown		
8.	545018901	Hsg.-Throttle-right	28.	530052285	Limiter-Line	---		Operator Manual
9.	545017601	Lockout-Throttle	29.	530015814	Screw	545154259		(Euro I)
10.	530016326	Screw-Cable Ret.	30.	530015820	Bolt	545154260		(Scan)
11.	545018701	Hsg.-Throttle-left	31.	545081001	Kit-Shield Assy. (incl. 20,21,28,29,30)	545154258		(Euro II)
12.	530058843	Assy-Wire	32.	537419202	Assy-TNG 7 (Incl. 33,34,35,36,37,38,39)	545154257		(Euro III)
13.	530069572	Kit-Switch	33.	537419302	Housing	545154256		(Euro IV)
14.	530016473	Spring-lockout	34.	537419801	Adapter	545154255		(Euro V)
15.	530058759	Trigger-Throttle	35.	537338801	Spring	545154254		(Turkish)
16.	530059185	Clamp-Handle	36.	530096328	Assy-spool (incl. line)	530056335		Decal-Blade Direction
17.	530016152	Wingnut	37.	537419701	Eyelet	530031159		Wrench-Hex 5/32"
18.	530015940	Screw	38.	537419401	Cover	545075601		Decal-Shaft Warn (upper)
19.	530057987	Clamp-Harness(lower)	39.	537419601	Knob	502035505		Guard-Transport
20.	530015197	Nut						

↗ = NEW PART NUMBER FOR THIS IPL

* = REFER TO THE SERVICE REFERENCE INDICATED FOR MORE INFORMATION. (LOCATED AT END OF IPL)

WARNING
All repairs, adjustments and maintenance not described in the Operator's Manual must be performed by qualified service personnel.



Ref.	Part No.	Description	Ref.	Part No.	Description	Ref.	Part No.	Description
1.	530047721	Bulb-Purge	24.	530055492	Isolator-Tank	47.	530055122	Assy-Clutch
2.	530071717	Kit-Choke Lever	25.	530054941	Ret.-Tank	48.	530150247	Assy-Clutch Drum
3.	530015843	Screw-tank	26.	530054834	Handle-Starter	49.	530010960	Assy-Conn. Rod
4.	530049386	Cap-Fuel w/ret.	27.	545050409	Kit-Rope	50.	530015162	Ret.-Piston pin
5.	530095646	Assy-Fuel pickup	28.	545081601	Bearing-Inner	51.	530012594	Ring-Piston
6.	530069247	Kit-Carb/Purge fuel line	29.	530015787	Retainer	52.	530071998	Kit-Piston (Incl. 50,51)
7.	530069216	Kit-Tank/Purge fuel line	30.	530019158	Seal	53.	545030102	Gasket-Cylinder(kit)
8.	530015775	Screw	31.	530032102	Bearing-Outer	54.	530058846	Assy-Leadwire
9.	545000501	Cover-Air box	32.	530015789	Ret.-Crankshaft	55.	530016387	Bolt-Muffler
10.	545082301	Filter-Air	33.	530028807	Assy-Crankshaft	56.	545030102	Gasket-Muffler (kit)
11.	530015849	Screw-Carb.	34.	545081901	Assy-Crankcase (Incl. 28,29,30,31)	57.	545033201	Shield
12.	545000601	Box-Air	35.	530071685	Assy-C'case/C'shaft (Incl. 32,33,34)	58.	545081871	Kit-Muffler (Incl. 55,56,57)
13.	545006017	Assy-Carb(C1U-W32)	36.	530055524	Assy-Flywheel	59.	530012586	Cylinder
(Note: Repair kits are not available for this carburetor)			37.	530016463	Washer	60.	952030249	Plug-Spark(RCJ-6Y)
14.	545030102	Gasket-Carb.(kit)	38.	530055620	Spacer	61.	530001624	Bolt-Cyl. 1/4-20"
15.	545075301	Assy-Fuel Tank	39.	530015775	Screw-Baffle	62.	530039234	Module-Ignition
16.	530015771	Screw-Crankcase	40.	545115201	Plate-Baffle	63.	530016357	Screw-Module
17.	530015952	Screw-Shroud	41.	545050408	Kit-Pulley	64.	545030102	Kit-Gasket (Incl. 14,19, 53)
18.	545000701	Shroud w/heat shield	42.	545054901	Spring-Starter	65.	545026801	Assy-Throttle cable
19.	545030102	O-ring-Shroud (kit)	43.	530019182	Grommet			
20.	530027593	Valve-Reed	44.	530016386	Screw-F/hsg.			
21.	530029781	Stop-Reed	45.	530055248	Assy.-Fan Housing			
22.	530016064	Screw-Reed stop	46.	530094189	Washer-Clutch			
23.	530015875	Screw-Retainer						

✓ = NEW PART NUMBER FOR THIS IPL

* = REFER TO THE SERVICE REFERENCE INDICATED FOR MORE INFORMATION. (LOCATED AT END OF IPL)