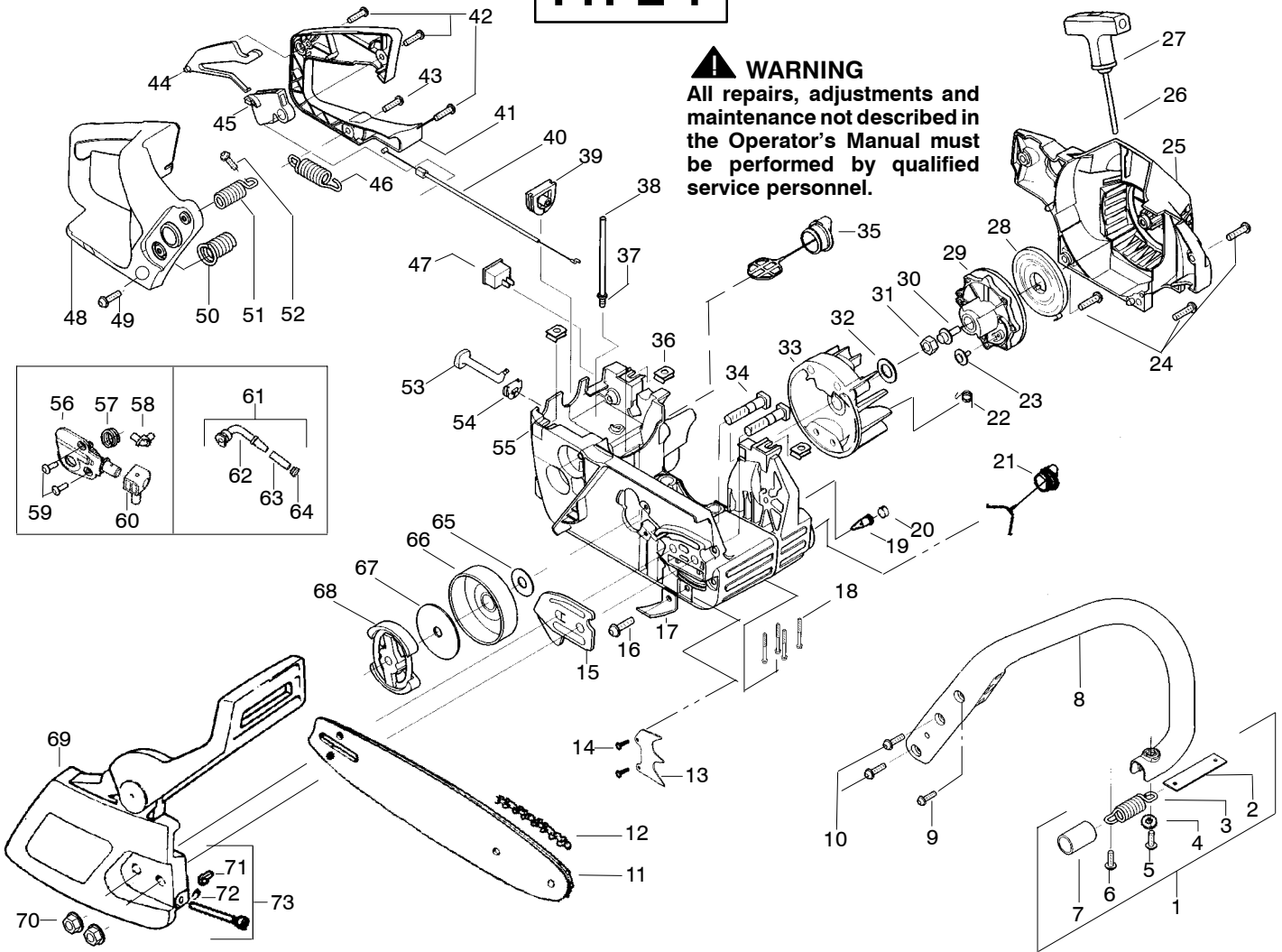


TYPE 1

⚠ WARNING
All repairs, adjustments and maintenance not described in the Operator's Manual must be performed by qualified service personnel.

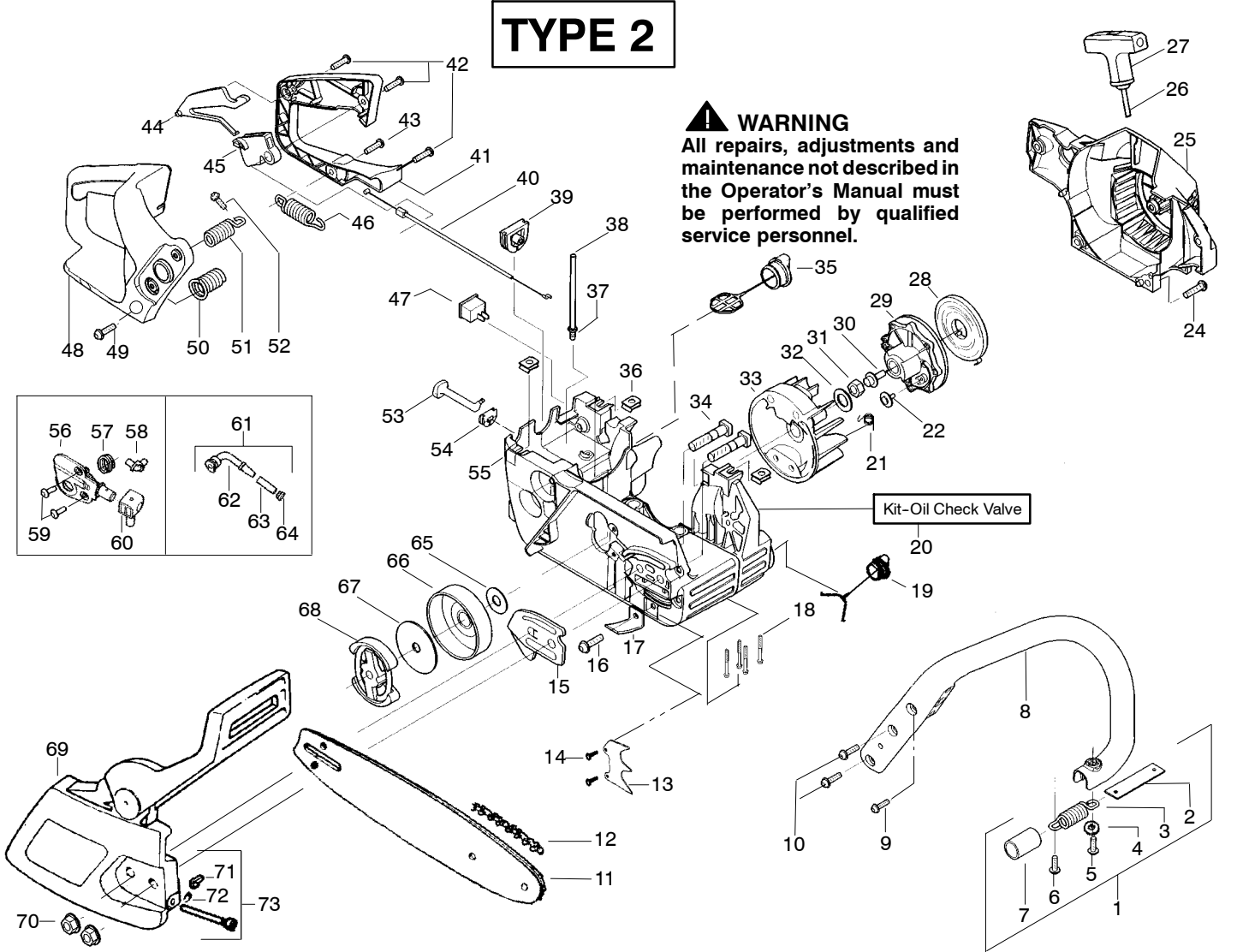


| Ref. | Part No. | Description | Ref. | Part No. | Description | Ref. | Part No. | Description |
|------|-----------|-----------------------------|------|-----------|-------------------------|------|-----------|--|
| 1. | 530047963 | Assy. - Isolator | 27. | 530056402 | Handle - Starter | 53. | 530047605 | Knob - Choke |
| 2. | 530047608 | Strap - Limiter | 28. | 530027531 | Spring - Recoil | 54. | 530049005 | Grommet - Knob |
| 3. | 530042082 | Spring - Isolator | 29. | 530037817 | Pulley - Starter | 55. | 530056597 | Assy - Chassis (incl. 19 - 21, 34 - 36) |
| 4. | 530015123 | Washer | 30. | 530015920 | Screw | 56. | 530071259 | Kit - Oil Pump (Incls. 57, 58, 60) |
| 5. | 530016018 | Screw | 31. | 530016134 | Nut - Flywheel | 57. | 530037820 | Gear - Worm Spring |
| 6. | 530015843 | Screw | 32. | 530015127 | Washer - Flywheel | 58. | 530049477 | Elbow - Oil Pickup |
| 7. | 530036142 | Sleeve - AV Spring | 33. | 530039209 | Assy - Flywheel | 59. | 530016064 | Screw |
| 8. | 530047583 | Handle - Front | 34. | 530016133 | Bolt - Bar | 60. | 530019206 | Seal Block |
| 9. | 530015940 | Screw | 35. | 530047192 | Assy - Fuel Cap | 61. | 530047663 | Assy - Oil Pickup (Incl. 62 - 64) |
| 10. | 530015814 | Screw | 36. | 530015922 | Nut - "U" - Type | 62. | 530038373 | Pick-up Oiler |
| 11. | 530044816 | Bar - 14" | 37. | 530023877 | Fitting - fuel line | 63. | 530037821 | Filter - Oil |
| 12. | 538029933 | Chain 14" | 38. | 530069216 | Kit - Fuel line (large) | 64. | 530030189 | Plug - Oil Filter |
| 13. | 530014381 | Kit - Assy Spike (incl. 14) | 39. | 530047631 | Grommet - Cable | 65. | 530015907 | Washer - Thrust |
| 14. | 530015805 | Screw | 40. | 530047602 | Cable - Throttle | 66. | 530047061 | Assy. - Clutch Drum w/bearing |
| 15. | 530038238 | Plate - Bar Mounting | 41. | 530047581 | Cover - Rear Handle | 67. | 530015611 | Washer - Clutch |
| 16. | 530015814 | Screw | 42. | 530015906 | Screw | 68. | 530014949 | Assy. Clutch |
| 17. | 530029850 | Chain Catcher | 43. | 530015886 | Screw | 69. | 530054736 | Assy - Chain Brake |
| 18. | 530016132 | Screw | 44. | 530036098 | Lockout - Throttle | 70. | 530015917 | Nut - Bar Mounting |
| 19. | 530026119 | Check Valve | 45. | 530036097 | Trigger - Throttle | 71. | 530015826 | Pin - Retainer |
| 20. | 530038264 | Plug - Bronze Vent | 46. | 530042082 | Spring | 72. | 530038593 | Retainer |
| 21. | 530010846 | Assy - Oil Cap | 47. | 530069572 | Kit - Switch | 73. | 530069611 | Kit - Bar Adjust |
| 22. | 530023817 | Spring - Starter Dog | 48. | 530047582 | Handle - Rear | | | |
| 23. | 530016080 | Screw | 49. | 530015814 | Screw | | | |
| 24. | 530015892 | Screw | 50. | 530053274 | Assy. Isolator - lower | | | |
| 25. | 530054175 | Housing - Fan | 51. | 530071385 | Kit - Isolator (Upper) | | | |
| 26. | 530069232 | Kit - Rope | 52. | 530015875 | Screw | | | |

✂ = NEW PART NUMBER FOR THIS IPL

* = REFER TO THE SERVICE REFERENCE INDICATED FOR MORE INFORMATION. (LOCATED AT END OF IPL)

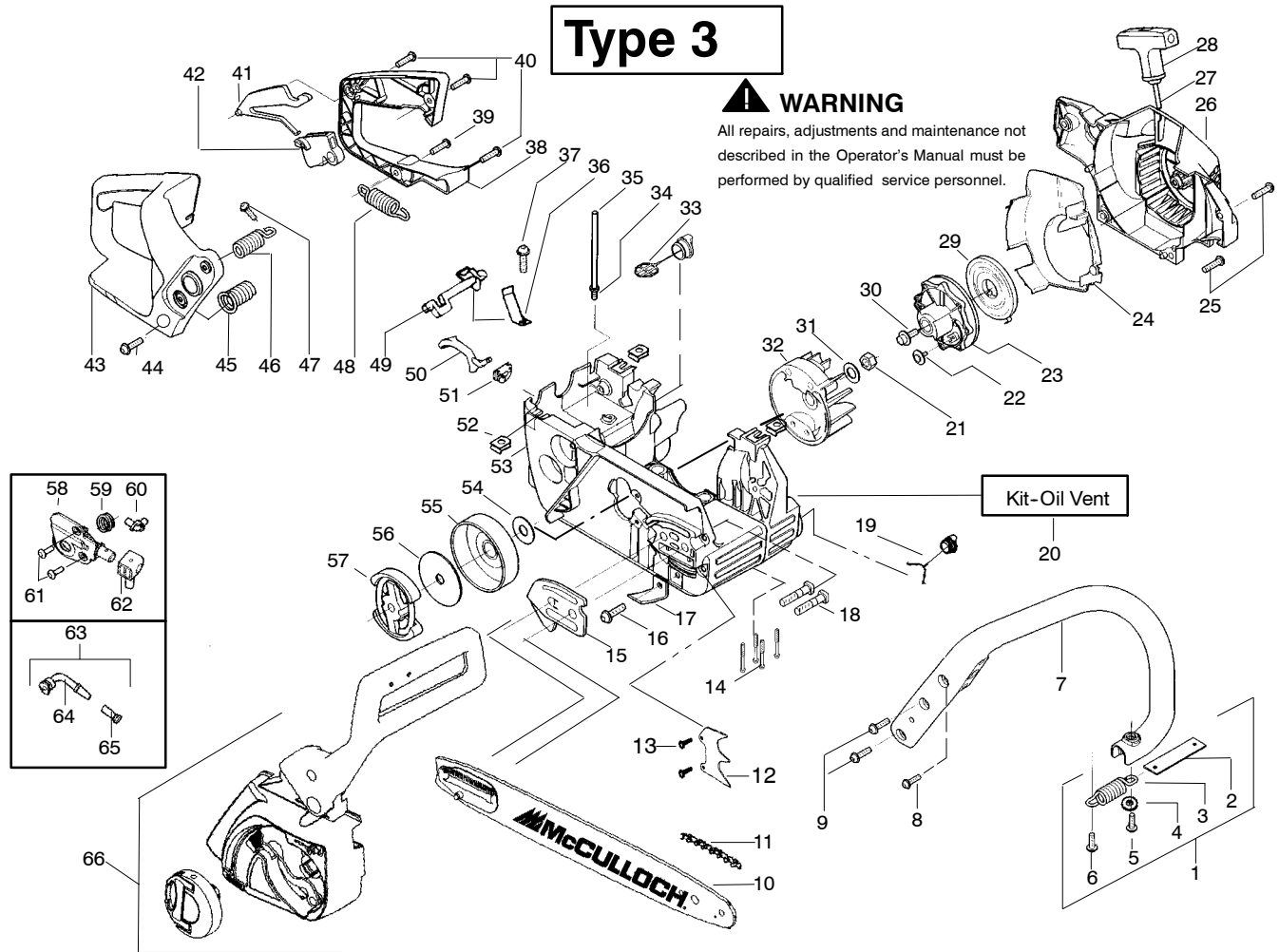
TYPE 2



| Ref. | Part No. | Description | Ref. | Part No. | Description | Ref. | Part No. | Description |
|------|-----------|-----------------------------|------|-----------|-------------------------|------|-----------|---------------------------------------|
| 1. | 530047963 | Assy. - Isolator | 27. | 530056402 | Handle - Starter | 53. | 530047605 | Knob - Choke |
| 2. | 530047608 | Strap - Limiter | 28. | 530027531 | Spring - Recoil | 54. | 530049005 | Grommet - Knob |
| 3. | 530042082 | Spring - Isolator | 29. | 530037817 | Pulley - Starter | 55. | 530056597 | Assy - Chassis |
| 4. | 530015123 | Washer | 30. | 530015920 | Screw | 56. | 530071259 | Kit - Oil Pump (Incls. 57, 58, 60) |
| 5. | 530016018 | Screw | 31. | 530016134 | Nut - Flywheel | 57. | 530037820 | Gear - Worm Spring |
| 6. | 530015843 | Screw | 32. | 530015127 | Washer - Flywheel | 58. | 530049477 | Elbow - Oil Pickup |
| 7. | 530036142 | Sleeve - AV Spring | 33. | 530039209 | Assy - Flywheel | 59. | 530016064 | Screw |
| 8. | 530047583 | Handle - Front | 34. | 530016133 | Bolt - Bar | 60. | 530019206 | Seal Block |
| 9. | 530015940 | Screw | 35. | 530047192 | Assy - Fuel Cap | 61. | 530047663 | Assy - Oil Pickup (Incl. 62 - 64) |
| 10. | 530015814 | Screw | 36. | 530015922 | Nut - "U" - Type | 62. | 530038373 | Pick-up Oiler |
| 11. | 530044896 | Bar - 14" | 37. | 530023877 | Fitting - fuel line | 63. | 530037821 | Filter - Oil |
| 12. | 538029933 | Chain 14" | 38. | 530069216 | Kit - Fuel line (large) | 64. | 530030189 | Plug - Oil Filter |
| 13. | 530014381 | Kit - Assy Spike (incl. 14) | 39. | 530047631 | Grommet - Cable | 65. | 530015907 | Washer - Thrust |
| 14. | 530015805 | Screw | 40. | 530047602 | Cable - Throttle | 66. | 530047061 | Assy. - Clutch Drum w/bearing |
| 15. | 530038238 | Plate - Bar Mounting | 41. | 530047581 | Cover - Rear Handle | 67. | 530015611 | Washer - Clutch |
| 16. | 530015814 | Screw | 42. | 530015906 | Screw | 68. | 530014949 | Assy. Clutch |
| 17. | 530029850 | Chain Catcher | 43. | 530015886 | Screw | 69. | 530054736 | Assy - Chain Brake |
| 18. | 530016132 | Screw | 44. | 530036098 | Lockout - Throttle | 70. | 530015917 | Nut - Bar Mounting |
| 19. | 530010846 | Assy - Oil Cap | 45. | 530036097 | Trigger - Throttle | 71. | 530015826 | Pin - Retainer |
| 20. | 530071666 | Kit - Oil Check Valve | 46. | 530042082 | Spring | 72. | 530038593 | Retainer |
| 21. | 530023817 | Spring - Starter Dog | 47. | 530069572 | Kit - Switch | 73. | 530069611 | Kit - Bar Adjust (incl. 71 & 72) |
| 22. | 530016080 | Screw | 48. | 530047582 | Handle - Rear | | | |
| 23. | --- | --- | 49. | 530015814 | Screw | | | |
| 24. | 530015892 | Screw | 50. | 530053274 | Assy. Isolator - lower | | | |
| 25. | 530054175 | Housing - Fan | 51. | 530071385 | Kit - Isolator (Upper) | | | |
| 26. | 530069232 | Kit - Rope | 52. | 530015875 | Screw | | | |

✓ = NEW PART NUMBER FOR THIS IPL

* = REFER TO THE SERVICE REFERENCE INDICATED FOR MORE INFORMATION. (LOCATED AT END OF IPL)



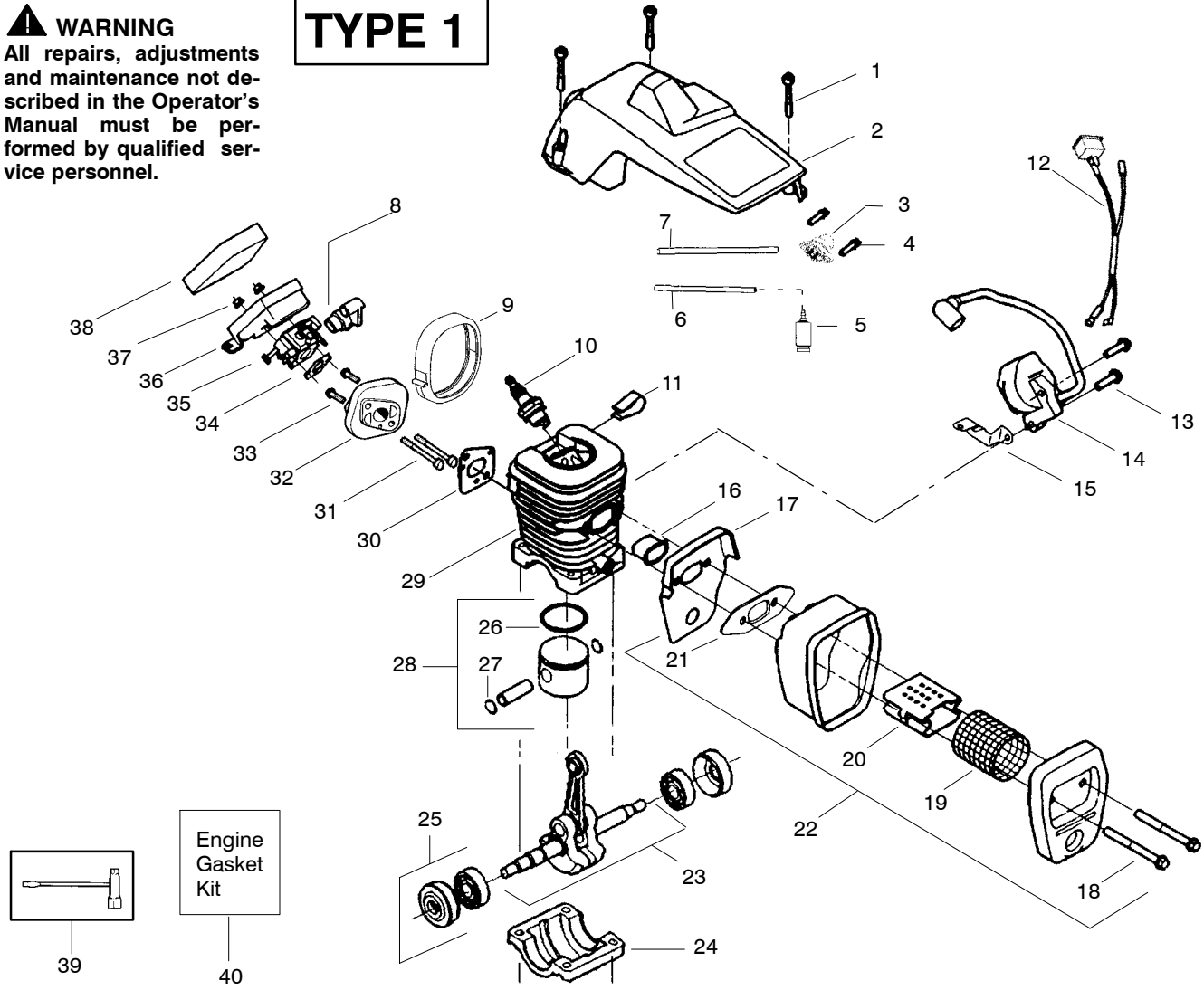
| Ref. | Part No. | Description | Ref. | Part No. | Description | Ref. | Part No. | Description |
|------|-----------|----------------------|------|-----------|-----------------------|------|-----------|--|
| 1. | 530059667 | Assy.- Isolator | 28. | 530056402 | Handle-Starter | 53. | 530058733 | Assy-Chassis fuel lines and caps) |
| 2. | 530047608 | Limiter Strap | 29. | 530027531 | Spring-Recoil | 54. | 530015907 | Washer-Thrust |
| 3. | 530059668 | Spring-Isolator | 30. | 530015920 | Screw | 55. | 530047061 | Assy.-Clutch Drum w/bearing |
| 4. | 530015158 | Washer | 31. | 530015127 | Washer-Flywheel | 56. | 530015611 | Washer-Clutch |
| 5. | 530016018 | Screw | 32. | 530039187 | Assy-Flywheel | 57. | 530014949 | Assy. Clutch |
| 6. | 530015843 | Screw | 33. | 530047192 | Assy-Fuel Cap | 58. | 530071259 | Kit - Oil Pump (incl. 59,60,62) |
| 7. | 545048001 | Front Handle | 34. | 530023877 | Fitting-fuel line | 59. | 530037820 | Gear-Worm Spring |
| 8. | 530015940 | Screw | 35. | 530069216 | Kit-Fuel line (large) | 60. | 530049477 | Elbow-Oil Pickup |
| 9. | 530015814 | Screw | 36. | 530016149 | Spring-Switch | 61. | 530016064 | Screw |
| 10. | 530044897 | Bar - 16" | 37. | 530015775 | Screw | 62. | 530019206 | Seal Block |
| 11. | 538248288 | Chain - 16" | 38. | 530047581 | Cover-Rear Handle | 63. | 530047663 | Assy-Oil Pick-up (Incl. 64,65) |
| 12. | 530014381 | Kit-Spike (Incl. 13) | 39. | 530015886 | Screw | 64. | 530038373 | Pick-up Oiler |
| 13. | 530016439 | Screw | 40. | 530015906 | Screw | 65. | 530056533 | Filter-Oil |
| 14. | 530016132 | Screw | 41. | 530036098 | Throttle Lockout | 66. | 530071897 | Assy-Chain Brake Adjuster (Incl. knob) |
| 15. | 530038238 | Plate-Bar Mount. | 42. | 530036097 | Trigger-Throttle | | | |
| 16. | 530015814 | Screw | 43. | 530047582 | Handle - Rear | | | |
| 17. | 530029850 | Chain Catcher | 44. | ★★★★★ | Screw | | | |
| 18. | 530016133 | Bolt-Bar | 45. | ★★★★★ | Assy Isolator-lower | | | |
| 19. | 530010846 | Assy-Oil Cap | 46. | 530071958 | Kit-Isolator (Upper) | | | |
| 20. | 530071666 | Kit-Oil Vent | 47. | 530015875 | Screw | | | |
| 21. | 530016134 | Nut-Flywheel | 48. | 530059668 | Spring-Isolator | | | |
| 22. | 530016080 | Screw | 49. | 530057473 | Lever-Switch | | | |
| 23. | 530037817 | Starter Pulley | 50. | 530057474 | Lever-Choke | | | |
| 24. | 530055723 | Baffle-Air | 51. | 530049005 | Grommet-Knob | | | |
| 25. | 530015892 | Screw | 52. | 530015922 | Nut-"U"-Type | | | |
| 26. | 530049335 | Housing-Fan | | | | | | |
| 27. | 530069232 | Kit - Rope | | | | | | |

✓ = NEW PART NUMBER FOR THIS IPL

★ = REFER TO THE SERVICE REFERENCE INDICATED FOR MORE INFORMATION. (LOCATED AT END OF IPL)

WARNING
All repairs, adjustments and maintenance not described in the Operator's Manual must be performed by qualified service personnel.

TYPE 1

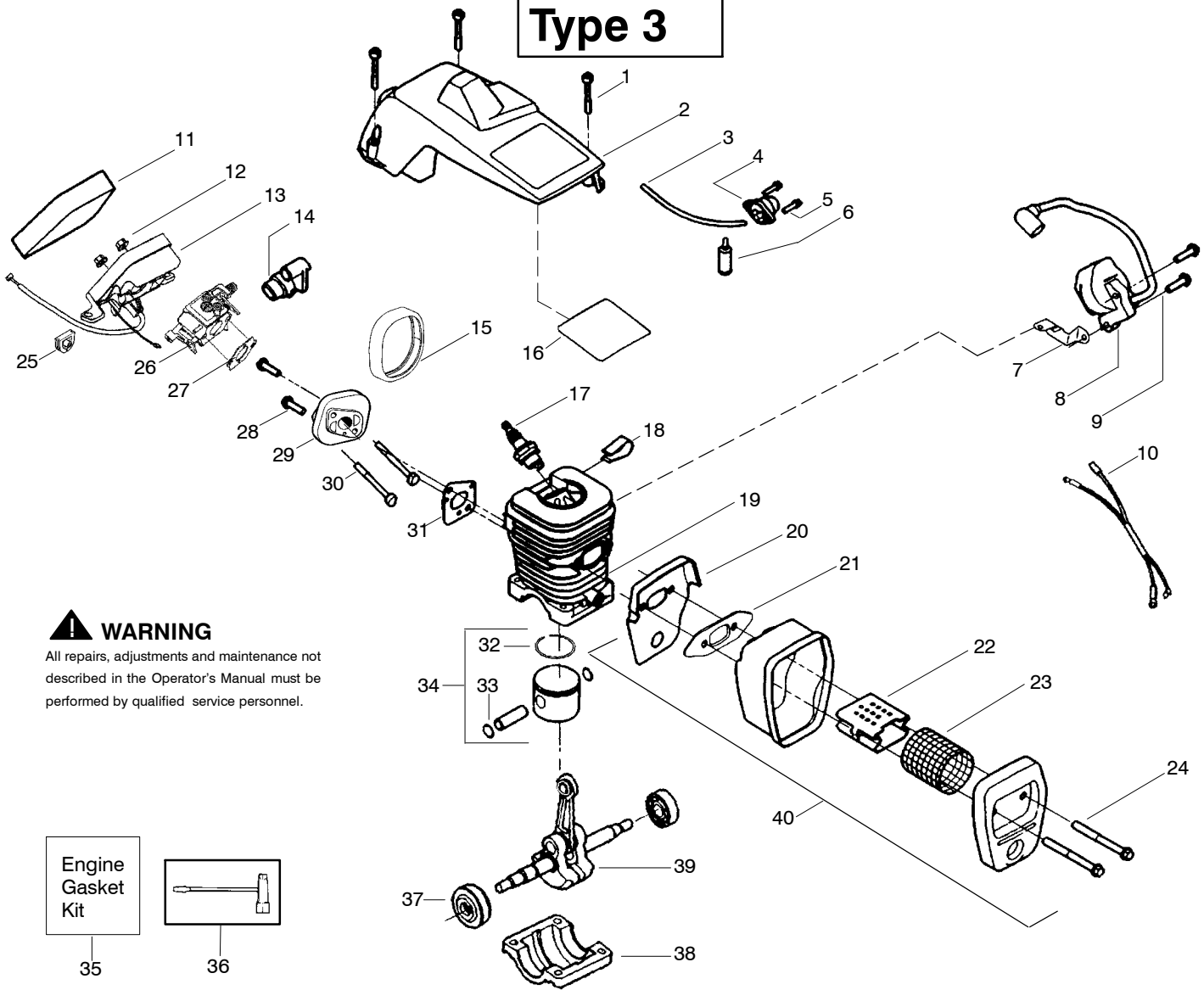


| Ref. | Part No. | Description | Ref. | Part No. | Description | Ref. | Part No. | Description |
|------|-----------|--|------|-----------|-------------------------------|------|-----------|---------------------------------------|
| 1. | 530016153 | Screw | 19. | 530036103 | Screen-Spark | 36. | 530047604 | Housing-Air Filter |
| 2. | 530055460 | Shield-Cylinder | 20. | 530037813 | Diffuser-Muffler | 37. | 530016101 | Nut |
| 3. | 530047213 | Assy-Air Purge | 21. | 530069608 | Gasket-Muffler (kit) | 38. | 530037793 | Air Filter - Foam |
| 4. | 530015780 | Screw | 22. | 530047207 | Assy-Muffler (Incl. 17-21) | 39. | 530031135 | Wrench-Bar |
| 5. | 530095646 | Assy-Fuel Pick-up | 23. | 530047062 | Assy-Crankshaft | 40. | 530069608 | Kit-Engine Gasket (incl. 34,30,21) |
| 6. | 530069247 | Kit-Line Purge/Carb. (Small Dia) | 24. | 530037935 | Cap-Crankcase | | | |
| 7. | 530069216 | Kit-Line Purge/Tank (large line) | 25. | 530056363 | Assy-Seal & Bearing | | | |
| 8. | 530049244 | Grommet-Carb Adjust. | 26. | 530029805 | Ring-Piston | | | |
| 9. | 530054144 | Seal-Carb Adapter | 27. | 530015697 | Retainer - Piston Pin | | | |
| 10. | 952030150 | Spark Plug (RCJ-7Y) | 28. | 530069604 | Kit-Piston - (incl. 26-27) | | | |
| 11. | 530016136 | Clip-High Tension Lead | 29. | 530069606 | Kit-Cylinder | | | |
| 12. | 530049117 | Assy-Wire Harness (includes switch) | 30. | 530069608 | Gasket-Carb. | | | |
| 13. | 530015814 | Screw | 31. | 530016187 | Screw | | | |
| 14. | 530039167 | Module-Ignition | 32. | 530049700 | Carb. Adapter | | | |
| 15. | 530047442 | Strap-Ground | 33. | 530016386 | Screw | | | |
| 16. | 530037652 | Insulator-Heat | 34. | 530069608 | Carb. Gasket (kit) | | | |
| 17. | 530049870 | Back Plate-Muffler | 35. | --- | Kit-Carburetor (WT-391) | | | |
| 18. | 530016132 | Screw | | 530069722 | | | | |
| | | | | | | | | Not Shown |
| | | | | | | | 530088226 | Manual- (Scan) |
| | | | | | | | 530088160 | Manual - (Euro I) |
| | | | | | | | 530088161 | Manual - (Euro II) |
| | | | | | | | 530054781 | Decal-Warning |
| | | | | | | | 530038478 | Cap-limiter low(tan) |
| | | | | | | | 530038479 | Cap-limiter high(brn) |

↖ = NEW PART NUMBER FOR THIS IPL

* = REFER TO THE SERVICE REFERENCE INDICATED FOR MORE INFORMATION. (LOCATED AT END OF IPL)

Type 3

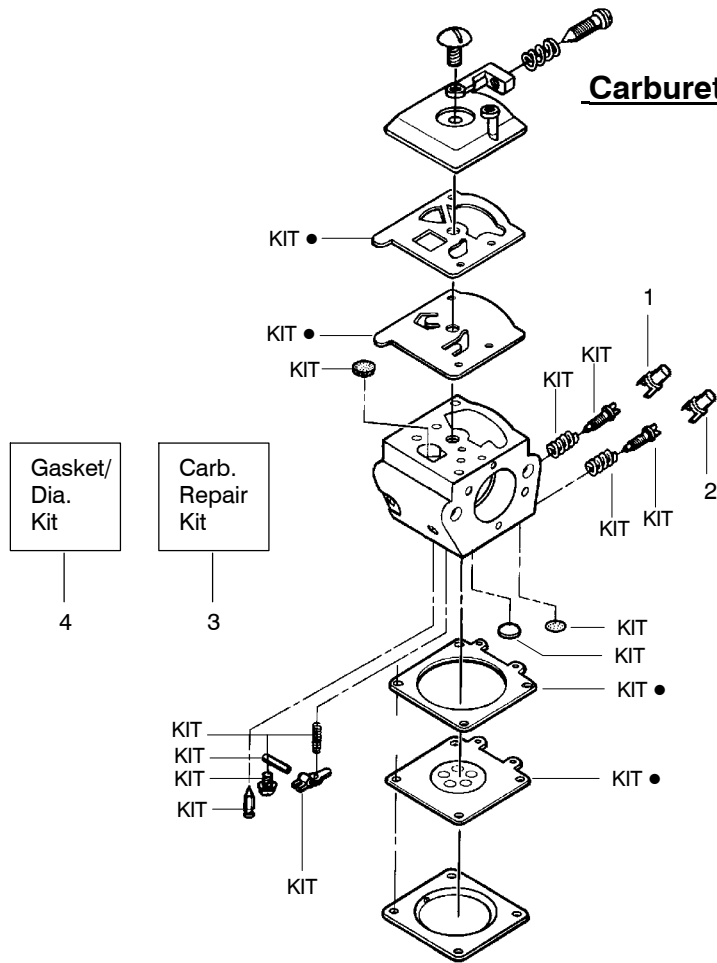


| Ref. | Part No. | Description | Ref. | Part No. | Description | Ref. | Part No. | Description |
|------|-----------|--|------|-----------|---|------|-----------|--------------------------------|
| 1. | 530016153 | Screw | 20. | 530049870 | Backplate - Muffler | 36. | 530031135 | Scrench |
| 2. | 530055638 | Assy - Cylinder Shield (includes # 16) | 21. | 530069608 | Gasket - Muffler (kit) | 37. | 530056363 | Assy - Seal & Bearing |
| 3. | 530069247 | Kit - Fuel Line (Small) | 22. | 530037813 | Diffuser - Muffler | 38. | 530037935 | Cap - Crankcase |
| 4. | 530071835 | Kit - Purge Bulb (incl. #5) | 23. | 530036103 | Screen - Spark | 39. | 530047062 | Assy - Crankshaft |
| 5. | 530015780 | Screw | 24. | 530016132 | Bolt - Muffler | 40. | 530047207 | Assy - Muffler (Incl. 20 - 24) |
| 6. | 530095646 | Assy - Fuel Pick-up | 25. | 530047631 | Grommet - Throttle Cable | | | Not Shown |
| 7. | 530047442 | Strap - Ground | 26. | --- | Kit - Carburetor | | | |
| 8. | 530039198 | Ignition Module | | 530071820 | Zama (W-20) | | | Manuals |
| 9. | 530015814 | Screw | | 530071821 | Walbro (WT-662) | | | (Scan) |
| 10. | 530057475 | Assy - Wire Harness | 27. | 530069608 | Gasket - Carb. (kit) | ✓ | 545123717 | (Euro I) |
| 11. | 530037793 | Foam - Air Filter | 28. | 530016386 | Screw | ✓ | 545123718 | (Euro IV) |
| 12. | 530016101 | Grommet - Carb Adjust | 29. | 530049700 | Carb. Adapter | ✓ | 545123721 | (Euro V) |
| 13. | 530057702 | Assy - Air Box | 30. | 530016187 | Screw | ✓ | 545123722 | (Turkish) |
| 14. | 530035526 | Grommet - Carb Adjust | 31. | 530069608 | Gasket - Adaptor (kit) | ✓ | 545123723 | (Russian) |
| 15. | 530054144 | Seal - Carb Adapter | 32. | 530038729 | Ring - Piston | ✓ | 545123724 | Decal - Warning (Euro) |
| 16. | 530055698 | Reflector - Heat | 33. | 530015697 | Retainer - Piston Pin | | 545003009 | |
| 17. | 952030150 | Spark Plug (RCJ-7Y) | 34. | 530071408 | Kit - Piston (Incl. 32 & 33) | | | |
| 18. | 530016136 | Clip - High Tension Lead | 35. | 530069608 | Kit - Engine Gasket (Incl. 21, 27 & 31) | | | |
| 19. | 530012550 | Cylinder | | | | | | |

✓ = NEW PART NUMBER FOR THIS IPL

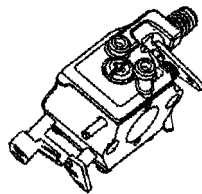
★ = REFER TO THE SERVICE REFERENCE INDICATED FOR MORE INFORMATION. (LOCATED AT END OF IPL)

Carburetor Assembly – WT-391 – #530069722



| Ref. | Part No. | Description |
|------|-----------|---|
| 1. | 530038479 | Limiter Cap – High |
| 2. | 530038478 | Limiter Cap – Low |
| 3. | 530069826 | Carburetor Repair Kit (KIT= Indicates Contents) & Includes Limiter Caps |
| 4. | 530069844 | Gasket/Diaphragm Kit (● = Indicates Contents) |

Kit - Carburetor Assembly No. 530071621 - WT-625
Kit - Carburetor Assembly No. 530071820 - W-20
Kit - Carburetor Assembly No. 530071821 - WT-662

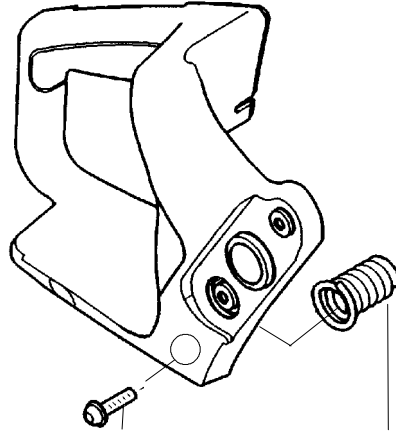


Note: No Repair kits are available for these carburetors

| | | | |
|------------------------------------|-----------------------------|------------------------------|--|
| PARTS LIST NO. 545103476 | | McCULLOCH. PARTS LIST | CHAIN SAW MODEL(s) MAC CAT 440 |
| DATE 3/19/07 | Replaces 87882 -11/29/06 | | Note: Illustration may differ from actual model due to design changes |

***** **Service Reference** *****

Note: Due to product improvements, your unit may have been built with or without the spring and screw shown below. If your unit does not have this spring and screw, no action is required. If your unit does have the spring and screw, please order the part numbers listed below.



530015814
Screw

530053274
Assy-Isolator Spring