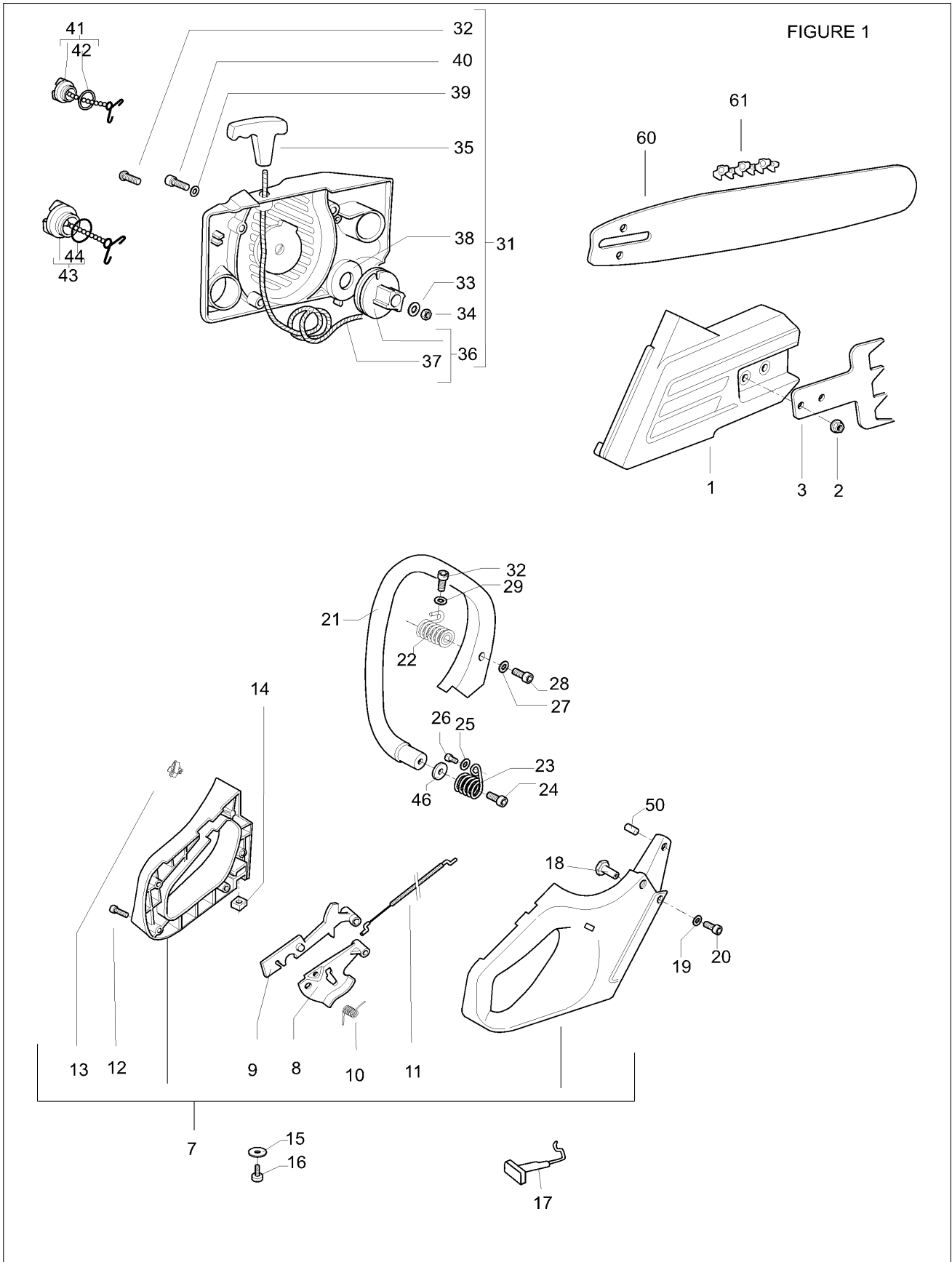


HUSQVARNA OUTDOOR PRODUCTS ITALIA

PNC	ML	Model	Brand
953900219	03	MAC 538E 14	McCULLOCH

Number of Pages 1 of 7

Factory:	IIQ - Valmadrera	Product Group:	OP 93
Publication Number:	MIPL2007_V380000001	Petrol Portable	
Publication Date:	18/09/07	Sub Group	9430



Item PN Qty Description

FIGURE 1

C	1	538248439	1	kit clutch cover
A	2	538227762	2	nut M8
C	3	538241992	1	spiked bumper
C	7	538243027	1	rear handle assy
C	8	* 538240301	1	throttle trigger
C	9	* 538240302	1	safety trigger
	10	* 538240303	1	throttle trigger spring
C	11	* 538240367	1	throttle cable assy
	12	* 538240862	5	screw 4x18
C	13	* 538242439	1	switch
	14	538229524	1	nut M5
	15	538227259	1	washer
	16	538240845	1	screw
C	17	538243025	1	choke knob assy
	18	538240315	2	nut
	19	538235248	2	washer M5
	20	538235802	2	screw M5x14
	21	538240281	1	front handle
B	22	538241231	1	spring
B	23	538240285	1	spring
	24	538240354	1	screw 6x30
	25	538235248	1	washer M5
	26	538235802	1	screw M5x14
	27	538235248	1	washer M5
	28	538235803	1	screw M5x25
	29	538227259	1	washer
C	31	538241854	1	starter assy
	32	* 538240316	1	screw M5x35
	33	* 538240921	1	washer
	34	* 538229208	1	nut M5
	35	* 538240884	1	starter handle
B	36	* 538235372	1	pulley and rope
A	37	** 538235042	1	rope
B	38	* 538235040	1	spring
	39	538235248	3	washer M5
	40	538236997	3	M5x30 screw
B	41	538240866	1	oil cap assy
C	42	* 538235511	1	O-ring (oil cap)
B	43	538240865	1	fuel cap assy
C	44	* 538235510	1	O-ring (fuel cap)
	46	538236934	1	washer
	50	538240323	1	spacer
	60	538243202	1	bar w/o packaging
	61	538102632	1	chain w/o packaging

A = ALTA ROTAZIONE	A = HIGH MOVING	A = HAUTE DEMANDE	A = GROBE NACHFRAGE
B = MEDIA ROTAZIONE	B = MEDIUM MOVING	B = MOYENNE DEMANDE	B = MITTELMAESSIGE
C = BASSA ROTAZIONE	C = SLOW MOVING	C = BASSE DEMANDE	C = WENIGE NACHFRAGE
NUOVI CODICI	NEW PARTS	NOUVELLE REFERENCES	NEU CODEX

FIGURE 3

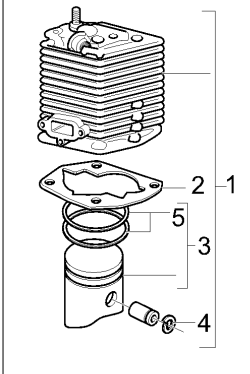


FIGURE 4

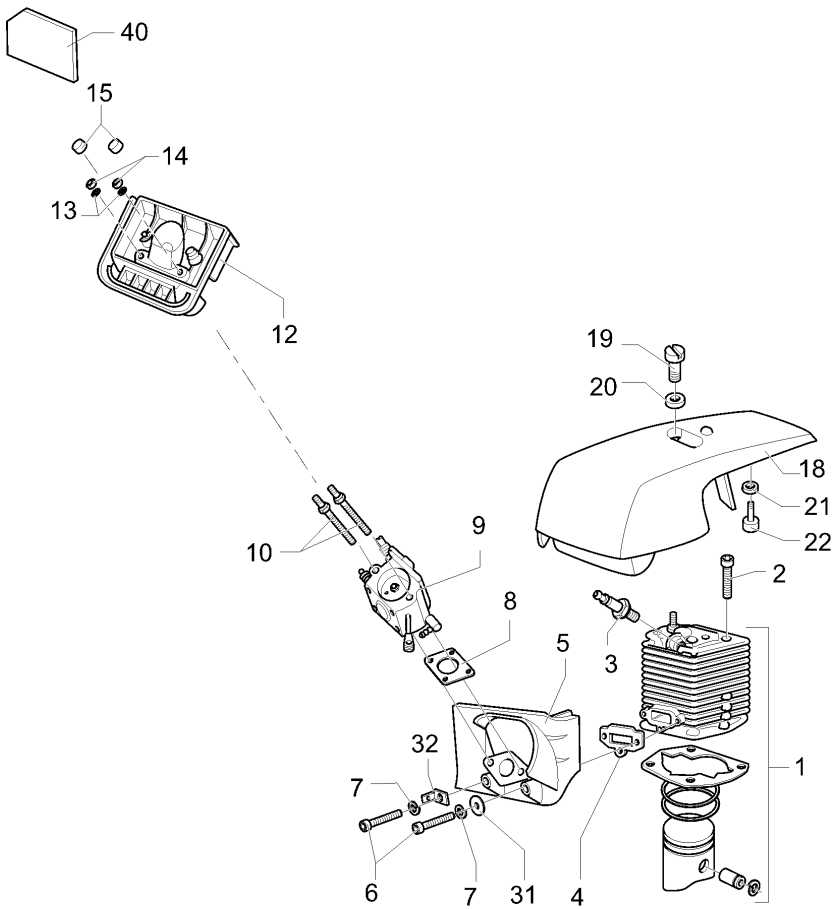
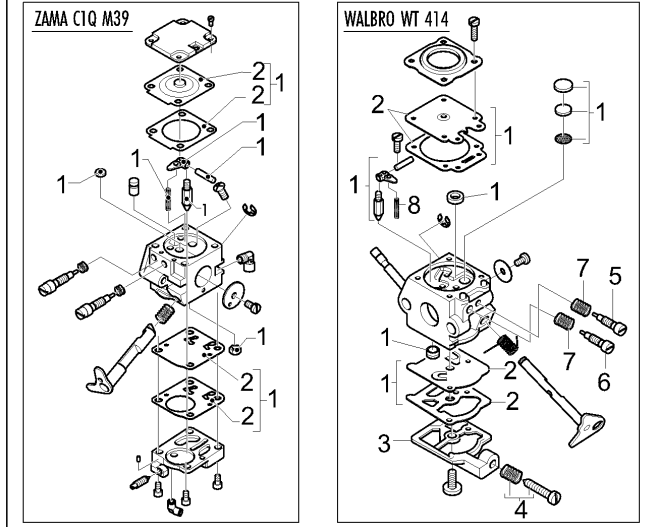
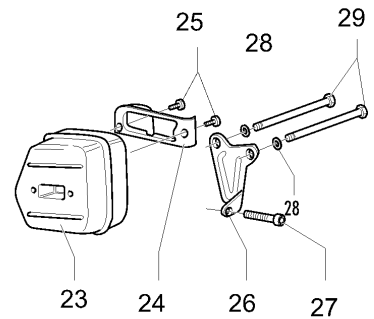


FIGURE 2



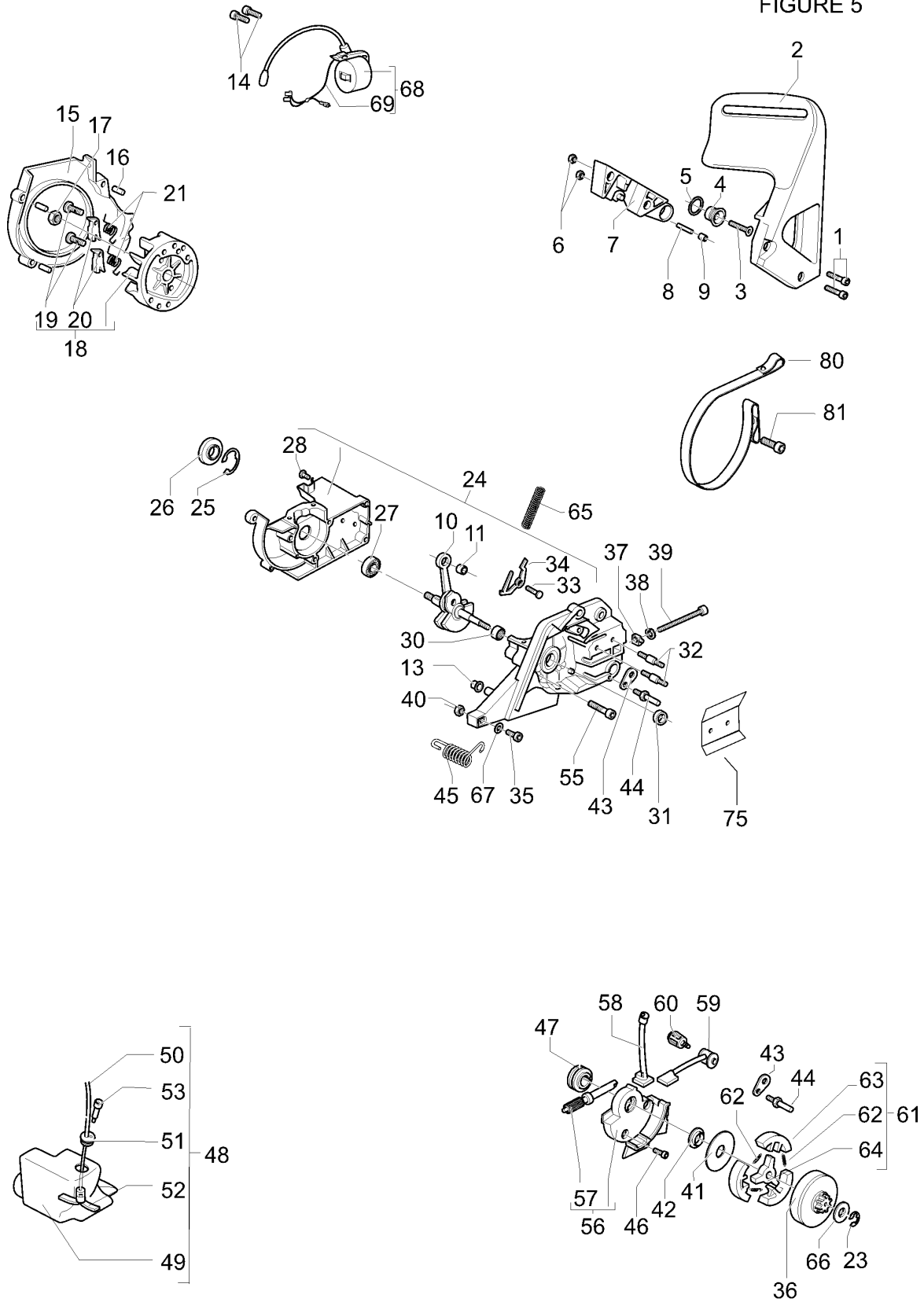
Item	PN	Qty	Description
FIGURE 2			
C	1	—	FIGURE 3
	2	538227565	4 screw M5x25
A	3	538092879	1 spark plug RDJ8J
B	4	538240345	1 gasket
	5	538240261	1 carb.spacer
	6	538236997	2 screw M5x30
	7	538236529	2 split washer
A	8	538227692	1 gasket
C	9	—	FIGURE 4
	10	538240328	2 bolt
	11	538240334	2 screw M5x40
	12	538240262	1 air filter box
	13	538235248	2 washer M5
	14	538235216	2 nut M5
B	15	538241239	2 cap
	18	538242669	1 engine cover
	19	538240320	1 screw
	21	538236936	1 washer
	22	538240272	1 grommet
	23	538240291	1 muffler
	24	* 538240297	1 baffle
	25	* 538236981	2 screw T5
	26	538240299	1 muffler support
	27	538236997	1 screw M5x30
	28	538227626	2 washer D5
	29	538227567	2 screw M5x70
	31	538235248	1 washer M5
	32	538228139	1 faston male
	40	538241238	1 air filter

Item	PN	Qty	Description
FIGURE 4, carburetor — Walbro WT 695			
C		538242938	1 carburetor
B	1 *	538247260	1 main kit K20 WAT
A	2 **	538229191	1 gasket-diaphragm.W
	3 *	538247261	1 pump cover
	4 *	538237481	1 idle screw kit
C	8 *	538247387	1 98-3249 spring

Item	PN	Qty	Description
FIGURE 4, carburetor — ZAMA C1QM39			
C		538242062	1 carburetor
B	1 *	538226226	1 repair kit C1Q
A	2 **	538226227	1 gasket-diaphragm C1Q

Item	PN	Qty	Description
FIGURE 3, cylinder and piston			
C	1	538247254	1 40cc kit
B	2 *	538240343	1 gasket
C	3 *	538247257	1 40cc piston kit
	4 **	538235008	2 snap ring
B	5 **	538240085	1 40cc piston ring

FIGURE 5



Item	PN	Qty	Description
FIGURE 5			
	1	538235806	2 screw M5x20
C	2	538241907	1 brake lever
	3	538241905	1 screw M6x25
	4	538241904	1 sleeve
	5	538241906	1 washer D.10X15X1
	6	538235642	2 nut M5
	7	538241902	1 brake housing
	8	538242017	1 band pivot
	9	538241903	1 brake needle
	10	538241871	1 crankshaft assy
C	11 *	538235742	1 needle bearing 9x12x14
	13	538235672	1 tank grommet
	14	538235806	2 screw M5x20
	15	538247290	1 air conveyor
	16 *	538240358	3 spacer
	17	538235218	1 nut M8
	18	538242621	1 flywheel
B	19 *	538235516	2 pin (starter pawl)
B	20 *	538235517	2 starter pawl
B	21 *	538235518	2 starter spring
	23	538229137	1 benzing 4mm
	24	538248496	1 crankcase kit
	25 *	538235899	1 seeger ring
C	26 *	538241879	1 seal 15X32X4/5
	27 *	538235900	1 ball bearing 6002 15/32/9
	28 *	538241077	1 self-threading screw 4X14
	30 *	538241253	1 needle bearing 15X21X12
C	31 *	538228872	1 seal 13-32-5 (S7)
B	32 *	538241881	2 bar bolt M8
	33 *	538235075	1 latch pivot
	34 *	538094006	1 brake latch
	35	538235806	1 screw M5x20
B	36	538240260	1 drum sprocket 3/8
B	37	538241908	1 bar adjustment nut
B	38	538235367	1 benzing 4mm
B	39	538241909	1 screw
	40	538235642	1 nut M5
	41	538241346	1 washer
	42	538242006	1 clutch spacer
	43	538240309	1 oil cap plate
C	44	538240363	1 chain catcher
B	45	538240286	1 spring
	46	538235802	2 screw M5x14
C	47	538241882	1 oil pump screw
	48	538240920	1 fuel tank assy
	49 *	538240300	1 fuel tank

Item	PN	Qty	Description
B	50 *	538229789	1 fuel hose
C	51 *	538235675	1 fuel tank grommet
A	52 *	538240452	1 fuel pick up
C	53 *	538227582	1 vent filter
	55	538236997	4 M5x30 screw
B	56	538241883	1 oil pump assy
C	57 *	538241885	1 oil pump piston kit
	58 *	538241895	1 pipe joint
	59 *	538241896	1 oil pump tube
C	60 *	538225062	1 oil filter
	61	538242004	1 clutch assy
B	62 *	538240926	3 spring
	63 *	538227359	3 shoe clutch
	64 *	538242005	1 rotor clutch
	65	538235076	1 brake spring
	66	538235287	1 clutch waher
	67	538227259	1 washer
C	68	538243029	1 ignition coil assy
C	69 *	538243040	1 wires assy
	75	538241914	1 bar plate
B	80	538235073	1 brake band
	81	538235812	1 brake screw

A = ALTA ROTAZIONE	A = HIGH MOVING	A = HAUTE DEMANDE	A = GROBE NACHFRAGE
B = MEDIA ROTAZIONE	B = MEDIUM MOVING	B = MOYENNE DEMANDE	B = MITTELMAESSIGE
C = BASSA ROTAZIONE	C = SLOW MOVING	C = BASSE DEMANDE	C = WENIGE NACHFRAGE
NUOVI CODICI	NEW PARTS	NOUVELLE REFERENCES	NEU CODEX