

**REPAIR PARTS MANUAL**  
**MODEL NUMBER PM55**  
**(MFG. ID. NO. 96191000900)**  
**Snow Thrower**

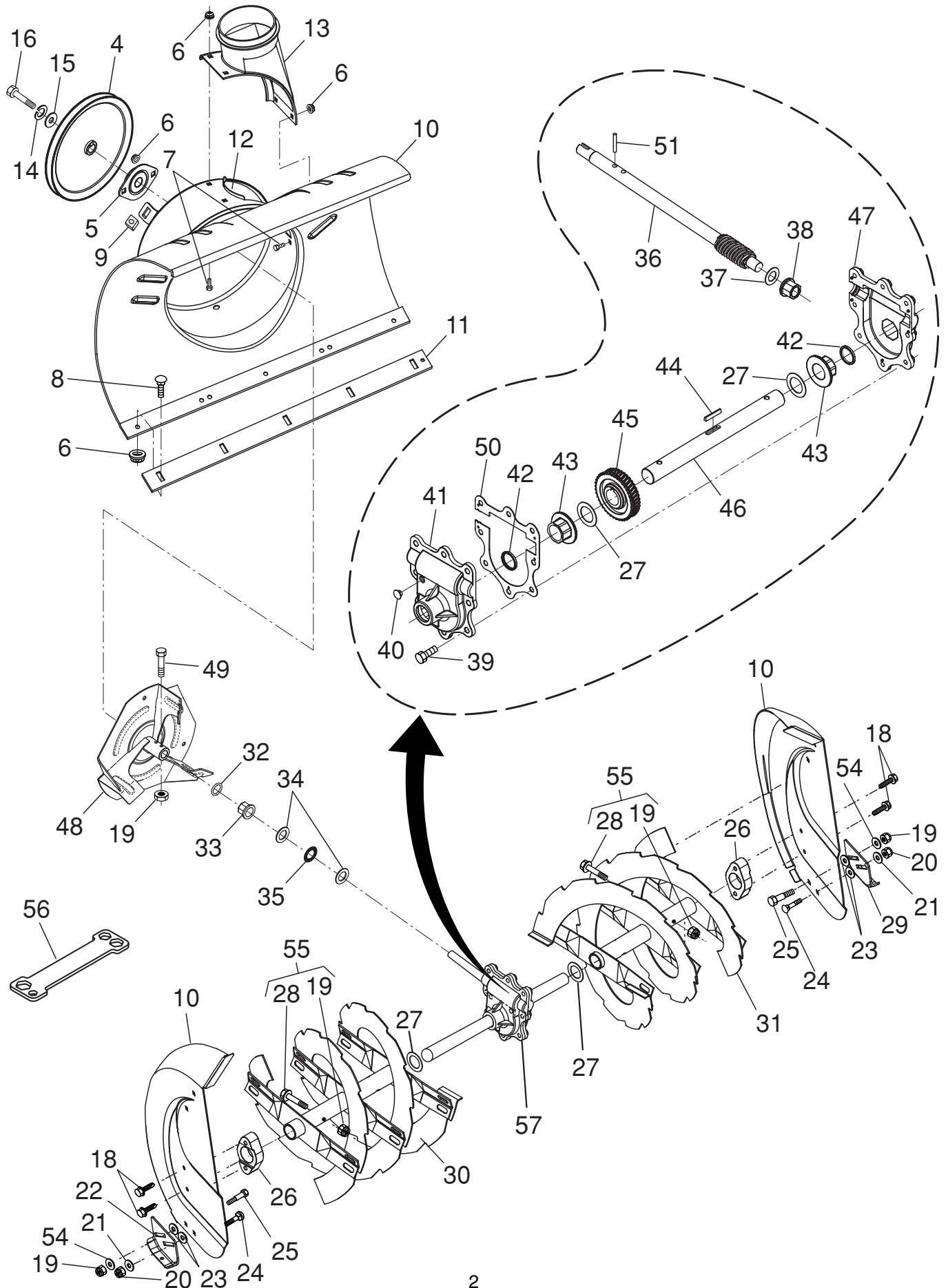


**MCCULLOCH**

# REPAIR PARTS

# AUGER HOUSING / IMPELLER ASSEMBLY

SNOW THROWER - - MODEL NO. **PM55** (96191000900) PRODUCT NO. 961 91 00-09



**REPAIR PARTS****AUGER HOUSING / IMPELLER ASSEMBLY****SNOW THROWER - - MODEL NO. PM55 (96191000900) PRODUCT NO. 961 91 00-09**

| KEY NO. | PART NO.            | DESCRIPTION   |
|---------|---------------------|---|
| 4       | 532 19 10-79        | Pulley, Impeller                                      |
| 5       | 532 18 89-09        | Bearing Assembly, Flange                              |
| 6       | 532 15 53-77        | Nut, Hex Flange 5/16-18                               |
| 7       | 532 18 03-55        | Bolt, Flat Head, Carriage 5/16-18 x 5/8               |
| 8       | 872 27 05-05        | Bolt, Carriage 5/16-18 x 5/8                          |
| 9       | 532 17 88-20        | Nut, Cage 3/8-16                                      |
| 10      | 532 18 45-09        | Housing, Auger  |
| 11      | 532 18 40-96        | Bar, Scraper  |
| 12      | 532 18 40-95        | Bracket, Corner Discharge                             |
| 13      | 532 17 53-22        | Base, Discharge Chute                                 |
| 14      | 819 11 15-07        | Washer, Flat  |
| 15      | 810 04 05-00        | Washer, Lock 5/16                                     |
| 16      | 874 95 05-12        | Screw, Hex Head 5/16-18 x 3/4                         |
| 18      | 532 17 95-82        | Screw, Hex Head 5/16 x 1                              |
| 19      | 873 80 04-00        | Nut, Hex Lock 1/4-20                                  |
| 20      | 873 80 05-00        | Nut, Hex Lock 5/16-18                                 |
| 21      | 532 15 54-15        | Washer, Flat 5/16                                     |
| 22      | 532 18 40-94        | Skid Plate, RH  |
| 23      | 532 17 92-46        | Washer, Nylon, Friction                               |
| 24      | 872 27 05-06        | Bolt, Carriage 5/16-18 x 3/4                          |
| 25      | 532 18 56-00        | Bolt, Shoulder 1/4-20                                 |
| 26      | 532 17 46-58        | Bearing, Auger  |
| 27      | 532 17 46-97        | Washer, Thrust, 1"                                    |
| 28      | 532 19 20-90        | Bolt, Shear   |
| 29      | 532 18 40-93        | Skid Plate, LH  |
| 30      | 532 19 94-74        | Auger Assembly, RH                                    |
| 31      | 532 19 94-73        | Auger Assembly, LH                                    |
| 32      | 532 17 46-99        | O-Ring  |
| 33      | 532 17 47-00        | Bushing, Flange 3/4                                   |
| 34      | 532 17 46-81        | Washer, Thrust 3/4                                    |
| 35      | 532 17 46-84        | Bearing, Thrust 3/4                                   |
| 36      | 532 17 46-60        | Shaft, Impeller                                       |
| 37      | 532 17 46-83        | Washer, Thrust 5/8                                    |
| 38      | 532 17 46-86        | Bushing, Flange 5/8                                   |
| 39      | 532 15 00-78        | Screw, Hex Head 5/16-18 x 3/4                         |
| 40      | 532 08 64-47        | Plug, Case  |
| 41      | 532 17 46-88        | Housing, Gearbox, RH                                  |
| 42      | 532 17 46-98        | Seal, Oil   |
| 43      | 532 17 47-01        | Bushing, Flange, 1"                                   |
| 44      | 532 18 92-82        | Key, Square 1/4 x 1/4 x 7/8                           |
| 45      | 532 17 46-59        | Gear, Worm  |
| 46      | 532 17 46-57        | Shaft, Auger  |
| 47      | 532 17 46-87        | Housing, Gearbox, LH                                  |
| 48      | 532 18 41-05        | Impeller Assembly                                     |
| 49      | 874 78 04-26        | Screw, Hex Head 1/4-20 x 1-5/8                        |
| 50      | 532 17 53-11        | Gasket, Gearbox                                       |
| 51      | 532 18 42-05        | Pin, Roll 3/16 x 1-1/8                                |
| 54      | 532 05 38-47        | Washer, Flat 1/4                                      |
| 55      | 532 18 82-43        | Kit, Shear (Contains 6 each of Key Numbers 19 and 28) |
| 56      | 532 18 06-84        | Multi-Wrench  |
| 57      | 532 <b>17 88-78</b> | Gearbox Assembly                                      |

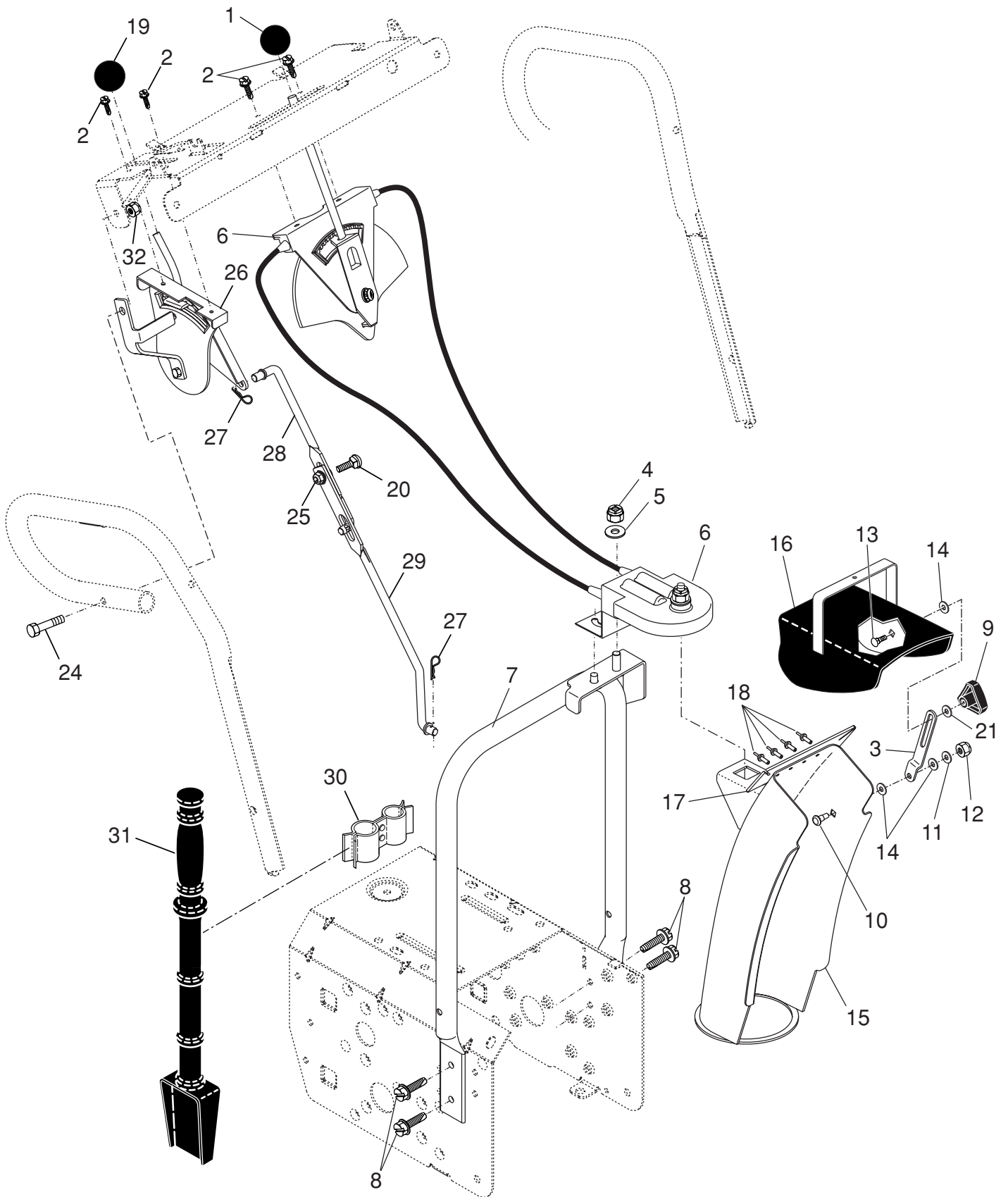
**NOTE:** All component dimensions given in U.S. inches. 1 inch = 25.4 mm**IMPORTANT:** Use only Original Equipment Manufacturer (O.E.M.) replacement parts.

Failure to do so could be hazardous, damage your unit and void your warranty.

# REPAIR PARTS

# CONTROL PANEL / DISCHARGE CHUTE

SNOW THROWER - - MODEL NO. **PM55** (96191000900) PRODUCT NO. 961 91 00-09



**REPAIR PARTS****CONTROL PANEL / DISCHARGE CHUTE****SNOW THROWER - - MODEL NO. PM55 (96191000900) PRODUCT NO. 961 91 00-09**

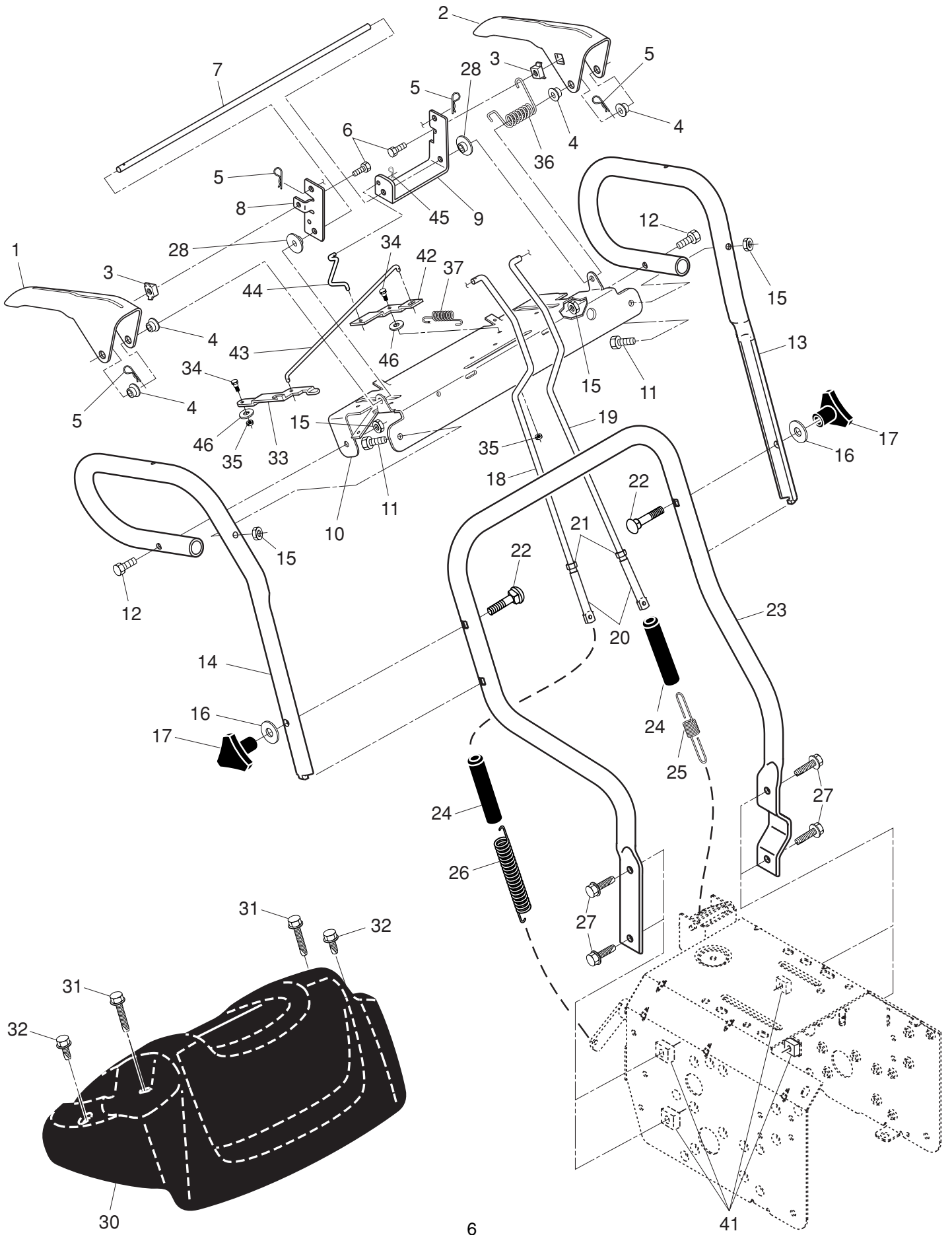
| <b>KEY<br/>NO.</b> | <b>PART<br/>NO.</b> | <b>DESCRIPTION</b>              |
|--------------------|---------------------|---------------------------------|
| 1                  | 532 18 33-34        | Knob, Lever                     |
| 2                  | 817 50 10-10        | Screw #10-24 x 5/8              |
| 3                  | 532 18 41-14        | Strap, Slotted                  |
| 4                  | 873 80 06-00        | Nut, Lock 3/8-16                |
| 5                  | 819 13 13-16        | Washer, Flat 3/8                |
| 6                  | 532 17 86-59        | Control Assembly, Chute Rotater |
| 7                  | 532 18 40-89        | Support, Pivot                  |
| 8                  | 532 15 00-78        | Screw, Hex Head 5/16-18 x 3/4   |
| 9                  | 532 18 04-53        | Knob, Deflector                 |
| 10                 | 532 18 56-00        | Bolt, Shoulder                  |
| 11                 | 532 15 38-47        | Washer, Flat 1/4                |
| 12                 | 873 80 04-00        | Nut, Lock 1/4-20                |
| 13                 | 872 25 05-05        | Bolt, Carriage 5/16-18          |
| 14                 | 532 17 92-46        | Washer, Nylon                   |
| 15                 | 532 18 45-10        | Chute Assembly                  |
| 16                 | 532 18 45-11        | Deflector Assembly              |
| 17                 | 532 17 91-45        | Seal, Deflector                 |
| 18                 | 532 12 84-15        | Rivet, Blind                    |
| 19                 | 532 18 33-33        | Knob, Speed Control Lever       |
| 20                 | 872 27 05-06        | Bolt, Carriage 5/16-18 x 3/4    |
| 22                 | 532 15 54-15        | Washer, Flat 5/16               |
| 24                 | 874 78 05-28        | Screw, Hex Head 5/16-18 x 1-3/4 |
| 25                 | 532 15 53-77        | Nut, Lock 5/16-18               |
| 26                 | 532 19 88-75        | Lever Assembly, Speed Control   |
| 27                 | 532 16 96-75        | Retainer, Hairpin               |
| 28                 | 532 18 04-45        | Rod, Upper, Speed Control       |
| 29                 | 532 18 77-16        | Rod, Lower, Speed Control       |
| 30                 | 532 19 27-10        | Clamp, Clean-Out Tool           |
| 31                 | 532 19 21-99        | Tool, Clean-Out                 |
| 32                 | 873 80 05-00        | Nut, Lock 5/16-18               |

**NOTE:** All component dimensions given in U.S. inches. 1 inch = 25.4 mm  
**IMPORTANT:** Use only Original Equipment Manufacturer (O.E.M.) replacement parts.  
Failure to do so could be hazardous, damage your unit and void your warranty.

# REPAIR PARTS

# HANDLES

SNOW THROWER - - MODEL NO. **PM55** (96191000900) PRODUCT NO. 961 91 00-09



**REPAIR PARTS****HANDLES****SNOW THROWER - - MODEL NO. PM55 (96191000900) PRODUCT NO. 961 91 00-09**

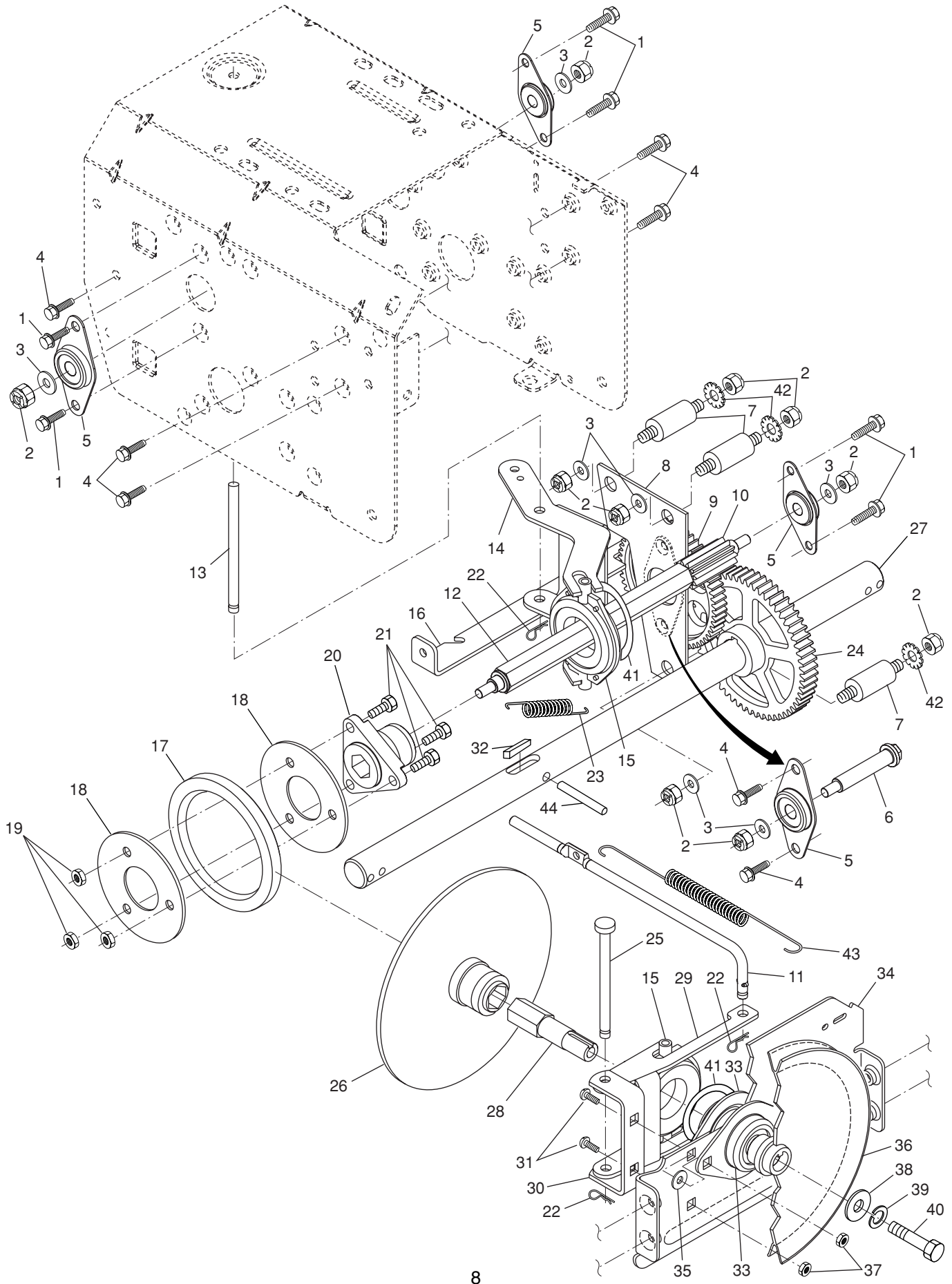
| KEY NO. | PART NO.     | DESCRIPTION                             |
|---------|--------------|---|
| 1       | 532 18 41-10 | Lever, Auger Control, RH                |
| 2       | 532 18 41-09 | Lever, Traction Drive Control, LH       |
| 3       | 532 19 96-39 | Nut, Cage 1/4-20                        |
| 4       | 532 17 88-88 | Bushing, Flange                         |
| 5       | 532 16 96-75 | Retainer, Hairpin                       |
| 6       | 532 19 96-40 | Screw, Hex Head                         |
| 7       | 532 17 86-52 | Rod, Interlock                          |
| 8       | 532 19 95-76 | Arm, Impeller Rod                       |
| 9       | 532 19 95-75 | Arm, Traction Rod                       |
| 10      | 532 19 95-31 | Panel, Control                          |
| 11      | 874 78 05-24 | Screw, Hex Head 5/16-18 x 1-1/2         |
| 12      | 874 78 05-28 | Screw, Hex Head 5/16-18 x 1-3/4         |
| 13      | 532 18 41-07 | Handle Tube, LH                         |
| 14      | 532 18 41-08 | Handle Tube, RH                         |
| 15      | 873 80 05-00 | Nut, Lock 5/16-18                       |
| 16      | 819 13 13-16 | Washer, Flat 3/8                        |
| 17      | 532 17 88-99 | Knob, Handle                            |
| 18      | 532 18 45-94 | Rod, Auger Control                      |
| 19      | 532 19 30-81 | Rod, Traction Control                   |
| 20      | 532 18 04-28 | End, Control Rod                        |
| 21      | 873 35 05-00 | Nut, Hex, Jam 5/16-18                   |
| 22      | 872 12 06-18 | Bolt, Carriage 3/8-16 x 2-1/4           |
| 23      | 532 18 40-87 | Handle Tube, Lower                      |
| 24      | 532 18 04-47 | Sleeve, Spring                          |
| 25      | 532 18 09-26 | Spring, Traction Drive                  |
| 26      | 532 17 86-69 | Spring, Auger Control                   |
| 27      | 871 21 06-16 | Screw, Hex Head 3/8-16 x 1              |
| 28      | 532 17 53-31 | Bushing, Pivot Lever                    |
| 30      | 532 18 33-52 | Console, Panel                          |
| 31      | 532 17 52-62 | Screw, Hex Head, Tapping #10-24 x 1-1/4 |
| 32      | 532 18 44-71 | Screw, Hex Head, Tapping #10-24 x 1/2   |
| 33      | 532 19 95-77 | Latch, Interlock                        |
| 34      | 532 18 35-18 | Bolt, Shoulder                          |
| 35      | 532 06 80-38 | Nut, Lock 1/4-20                        |
| 36      | 532 17 88-31 | Spring, Torsion                         |
| 37      | 532 19 38-85 | Spring, Interlock                       |
| 41      | 532 17 88-90 | Nut, Cage 3/8-16                        |
| 42      | 532 19 95-78 | Lever, Interlock                        |
| 43      | 532 19 96-38 | Rod, Latch, Interlock                   |
| 44      | 532 19 63-38 | Rod, Arm, Interlock                     |
| 45      | 532 70 02-79 | Clip                                    |
| 46      | 532 17 92-46 | Washer, Friction                        |

**NOTE:** All component dimensions given in U.S. inches. 1 inch = 25.4 mm  
**IMPORTANT:** Use only Original Equipment Manufacturer (O.E.M.) replacement parts.  
 Failure to do so could be hazardous, damage your unit and void your warranty.

# REPAIR PARTS

# DRIVE

SNOW THROWER - - MODEL NO. **PM55** (96191000900) PRODUCT NO. 961 91 00-09





**REPAIR PARTS****DRIVE****SNOW THROWER - - MODEL NO. PM55 (96191000900) PRODUCT NO. 961 91 00-09**

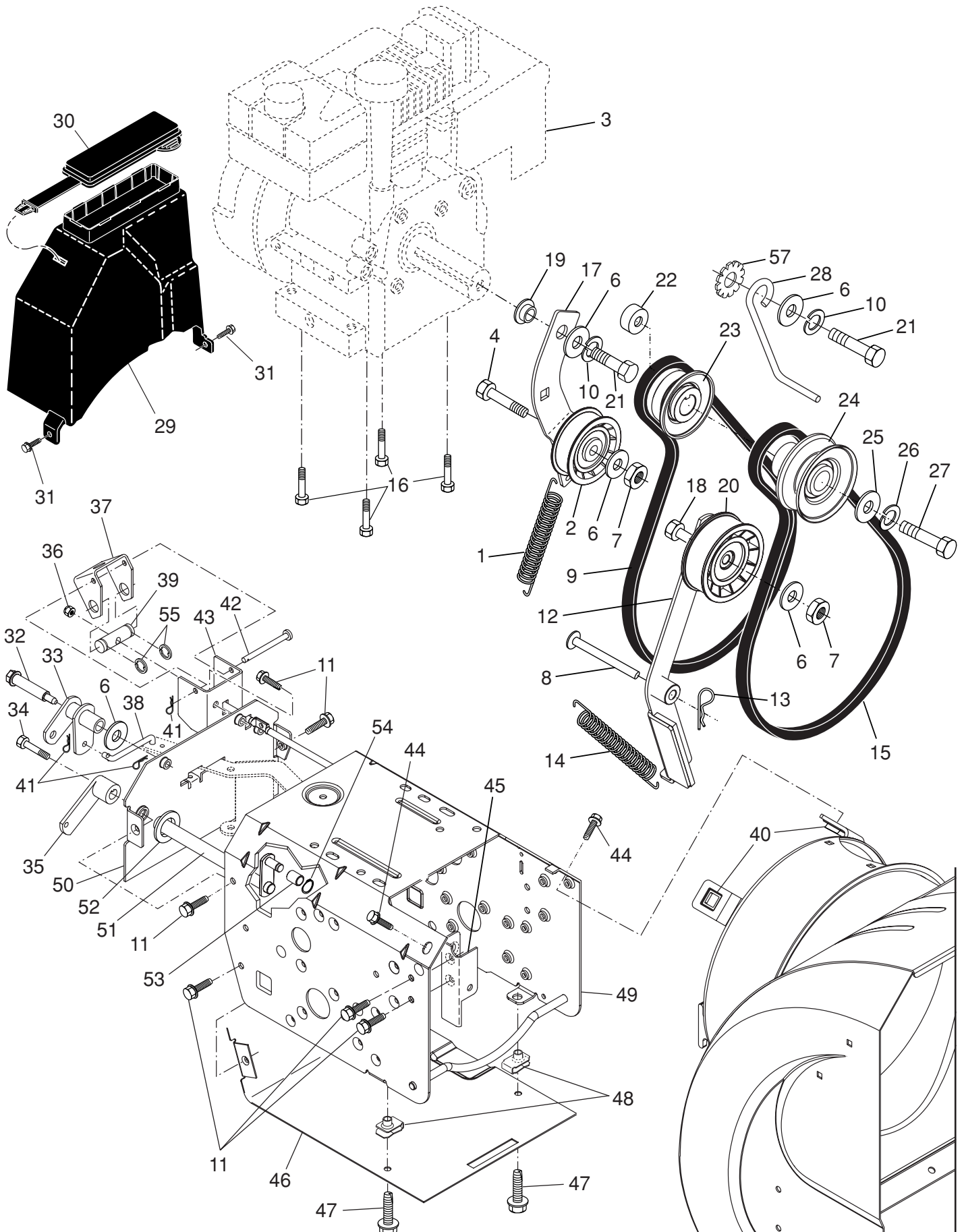
| KEY NO. | PART NO.     | DESCRIPTION                       |
|---------|--------------|-----------------------------------|
| 1       | 532 14 63-15 | Screw, Hex Head 5/16-18 x 3/4     |
| 2       | 873 80 05-00 | Nut, Lock 5/16-18                 |
| 3       | 532 15 54-15 | Washer, Flat                      |
| 4       | 817 49 05-08 | Screw, Hex Head 5/16-18 x 1/2     |
| 5       | 532 18 00-17 | Bearing, Flange                   |
| 6       | 532 18 01-34 | Shaft, Auxiliary                  |
| 7       | 532 17 92-70 | Spacer, Plate                     |
| 8       | 532 19 29-07 | Plate, Auxiliary                  |
| 9       | 532 18 00-82 | Gear, Intermediate (12/58)        |
| 10      | 532 18 00-65 | Gear, Pinion                      |
| 11      | 532 18 77-14 | Rod, Clutch                       |
| 12      | 532 18 00-66 | Shaft, Long, Hex                  |
| 13      | 532 17 88-07 | Pin, Pivot                        |
| 14      | 532 18 40-80 | Lever, Shifter / Wheel            |
| 15      | 532 17 53-44 | Trunnion Bearing Assembly         |
| 16      | 532 18 78-57 | Bracket, Pivot, Shift             |
| 17      | 532 17 98-31 | Ring, Rubber Wheel                |
| 18      | 532 19 95-09 | Plate, Rubber Wheel               |
| 19      | 873 93 05-00 | Nut, Lock 5/16-18                 |
| 20      | 532 17 86-13 | Hub, Rubber Wheel                 |
| 21      | 874 76 05-14 | Screw, Hex Head 5/16-18 x 7/8     |
| 22      | 532 08 51-79 | Retainer, Hairpin                 |
| 23      | 532 18 01-35 | Spring, Bias                      |
| 24      | 532 18 00-81 | Gear, Axle (58 Teeth)             |
| 25      | 532 17 86-95 | Pin, Pivot Lever                  |
| 26      | 532 19 77-63 | Plate Assembly, Drive             |
| 27      | 532 17 93-52 | Shaft, Axle                       |
| 28      | 532 19 77-64 | Shaft, Short Hex                  |
| 29      | 532 18 40-77 | Lever, Shifter Plate              |
| 30      | 532 18 40-76 | Bracket, Shifter Support          |
| 31      | 872 27 05-05 | Bolt, Carriage 5/16-18 x 5/8      |
| 32      | 532 18 92-82 | Key, Square 1/4 x 1/4 x 7/8       |
| 33      | 532 18 89-09 | Bearing, Flange                   |
| 34      | 532 18 40-75 | Plate, Drive Mounting             |
| 35      | 532 18 25-04 | Spacer, Bearing                   |
| 36      | 532 19 10-80 | Pulley, Traction Drive            |
| 37      | 532 15 53-77 | Nut, Lock 5/16-18                 |
| 38      | 819 11 15-07 | Washer, Flat                      |
| 39      | 810 04 05-00 | Washer, Lock 5/16                 |
| 40      | 874 95 05-12 | Screw, Hex Head 5/16-18 x 3/4     |
| 41      | 812 00 00-12 | Ring, Retaining                   |
| 42      | 811 05 05-00 | Washer, Lock, External Tooth 5/16 |
| 43      | 532 17 90-95 | Spring, Return                    |
| 44      | 532 18 42-06 | Pin, Roll                         |

**NOTE:** All component dimensions given in U.S. inches. 1 inch = 25.4 mm  
**IMPORTANT:** Use only Original Equipment Manufacturer (O.E.M.) replacement parts.  
Failure to do so could be hazardous, damage your unit and void your warranty.

# REPAIR PARTS

# CHASSIS / ENGINE / PULLEYS

SNOW THROWER - - MODEL NO. **PM55** (96191000900) PRODUCT NO. 961 91 00-09



**REPAIR PARTS****CHASSIS / ENGINE / PULLEYS****SNOW THROWER - - MODEL NO. PM55 (96191000900) PRODUCT NO. 961 91 00-09**

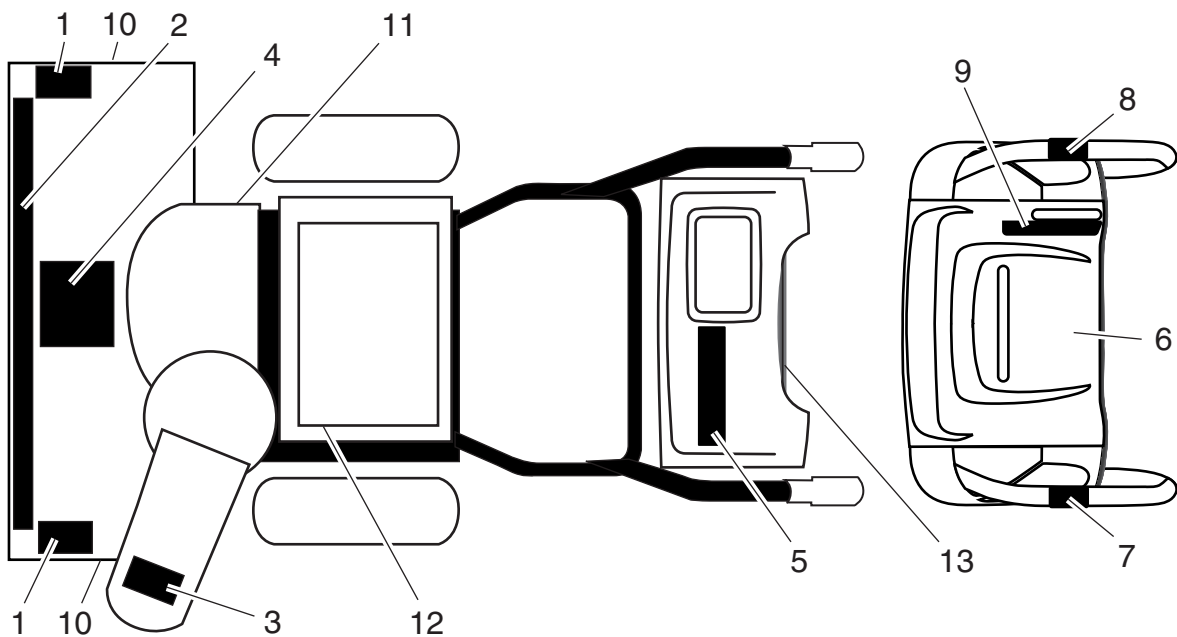
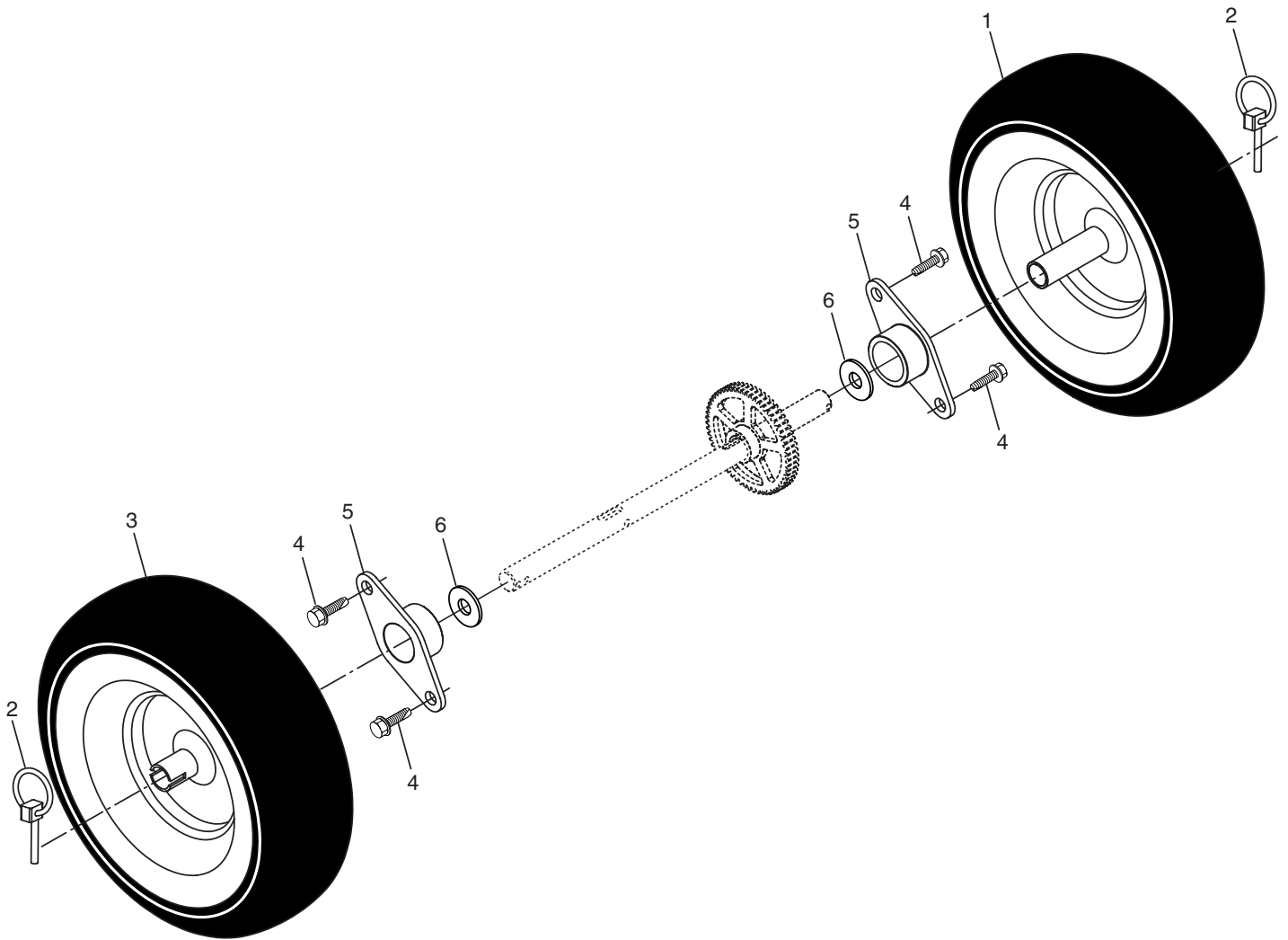
| <b>KEY NO.</b> | <b>PART NO.</b> | <b>DESCRIPTION</b>  | <b>KEY NO.</b> | <b>PART NO.</b> | <b>DESCRIPTION</b>                              |
|----------------|-----------------|---|----------------|-----------------|---|
| 1              | 532 18 10-44    | Spring, Traction Idler  | 29             | 532 19 22-13    | Belt Cover Assembly<br>(Includes Toolbox Cover) |
| 2              | 532 18 05-22    | Pulley, Idler (2-1/4)   | 30             | 532 17 88-30    | Cover, Toolbox                                  |
| 3              | - - -           | Engine, Tecumseh,<br>Model Number OH195SA (Order<br>parts from Engine manufacturer) | 31             | 817 49 04-08    | Screw, Hex Head 1/4-20 x 1/2                    |
| 4              | 874 78 05-20    | Screw, Hex Head 5/16-18 x 1-1/4   | 32             | 532 17 92-56    | Bolt, Shoulder 5/16-18                          |
| 6              | 532 05 92-89    | Washer, Flat  | 33             | 532 18 78-53    | Bellcrank Shifter                               |
| 7              | 873 93 05-00    | Nut, Jam, Lock 5/16-18  | 34             | 532 18 04-01    | Screw, Hex Head 1/4-28 x 3/4                    |
| 8              | 532 17 53-30    | Pin, Idler Pivot  | 35             | 532 19 57-67    | Arm, Auger Control                              |
| 9              | 532 17 90-92    | V-Belt, Traction Drive  | 36             | 873 80 05-00    | Nut, Lock 5/16-18                               |
| 10             | 810 04 05-00    | Washer, Lock 5/16   | 37             | 532 18 40-86    | Bellcrank                                       |
| 11             | 817 49 05-08    | Screw, Hex Head 5/16-18 x 1/2   | 38             | 532 18 17-01    | Link, Speed Control                             |
| 12             | 532 17 92-59    | Impeller Arm / Pad Assembly   | 39             | 532 19 21-10    | Trunnion, Pivot Bracket                         |
| 13             | 532 08 51-79    | Retainer, Hairpin   | 40             | 532 17 88-20    | Nut, Cage                                       |
| 14             | 532 17 88-28    | Spring, Brake   | 41             | 532 70 02-79    | Hairpin, Cotter 3/32 x 1/2                      |
| 15             | 532 18 35-33    | V-Belt, Impeller Drive  | 42             | 532 17 90-65    | Pin, Pivot Bracket                              |
| 16             | 532 19 23-06    | Screw, Hex Head 3/8-16 x 1-1/4  | 43             | 532 18 40-85    | Bracket, Bellcrank                              |
| 17             | 532 18 40-74    | Arm, Idler  | 44             | 871 21 06-16    | Screw, Hex Head                                 |
| 18             | 874 78 05-24    | Screw, Hex Head 5/16-18 x 1-1/2   | 45             | 532 18 40-74    | Bracket, Impeller Idler Arm                     |
| 19             | 532 17 53-31    | Bushing, Idler Pivot  | 46             | 532 18 45-10    | Pan, Frame Bottom                               |
| 20             | 532 18 05-23    | Pulley, Idler (2-3/4)   | 47             | 871 02 05-12    | Screw, Hex Head 5/16-18 x 3/4                   |
| 21             | 874 61 05-16    | Screw, Hex Head 5/16-18 x 1   | 48             | 532 18 11-56    | Nut, Speed 5/16-18                              |
| 22             | 532 17 93-71    | Spacer, Engine Pulley   | 49             | 532 18 45-07    | Frame Assembly                                  |
| 23             | 532 18 04-78    | Pulley, Engine, Traction Drive  | 50             | 532 18 83-69    | Plate, Frame End                                |
| 24             | 532 17 91-57    | Pulley, Engine, Impeller Drive  | 51             | 532 19 95-14    | Shaft, Auger Control                            |
| 25             | 532 06 27-35    | Washer, Flat 3/8  | 52             | 532 05 70-79    | Washer, Hardened                                |
| 26             | 532 85 02-63    | Washer, Lock 3/8  | 53             | 532 19 22-75    | Roller  |
| 27             | 532 85 10-84    | Screw, Hex Head 3/8-24 x 1-3/8  | 54             | 532 19 21-47    | Ring, Crescent                                  |
| 28             | 532 15 54-52    | Guide, Belt   | 55             | 812 00 00-02    | E-Ring  |
|                |                 |   | 57             | 811 05 05-00    | Washer, Lock, External Tooth 5/16               |

**NOTE:** All component dimensions given in U.S. inches. 1 inch = 25.4 mm  
**IMPORTANT:** Use only Original Equipment Manufacturer (O.E.M.) replacement parts.  
Failure to do so could be hazardous, damage your unit and void your warranty.

# REPAIR PARTS

# WHEELS / DECALS

SNOW THROWER - - MODEL NO. **PM55** (96191000900) PRODUCT NO. 961 91 00-09



**REPAIR PARTS****WHEELS / DECALS****SNOW THROWER - - MODEL NO. PM55 (96191000900) PRODUCT NO. 961 91 00-09**

| <b>KEY NO.</b> | <b>PART NO.</b> | <b>DESCRIPTION</b>            |
|----------------|-----------------|-------------------------------|
| 1              | 532 18 78-73    | Wheel Assembly, 13", LH       |
| 2              | 532 15 54-43    | Pin, Klik 1/4                 |
| 3              | 532 18 78-75    | Wheel Assembly, 13", RH       |
| 4              | 532 14 63-15    | Screw, Hex Head 5/16-18 x 5/8 |
| 5              | 532 17 98-30    | Bearing, Axle                 |
| 6              | 532 17 46-97    | Washer, Thrust, 1"            |

| <b>KEY NO.</b> | <b>PART NO.</b> | <b>DESCRIPTION</b>              |
|----------------|-----------------|---------------------------------|
| 1              | 532 19 96-83    | Decal, Danger                   |
| 2              | 532 18 77-30    | Decal, McCulloch, 61 cm         |
| 3              | 532 19 96-82    | Decal, Danger, Deflector        |
| 4              | 532 18 40-45    | Decal, Danger                   |
| 5              | 532 18 77-29    | Decal, McCulloch                |
| 6              | 532 18 40-30    | Decal, Instruction              |
| 7              | 532 18 40-36    | Decal, Traction Lever           |
| 8              | 532 18 40-35    | Decal, Auger Lever              |
| 9              | 532 18 40-32    | Decal, Speed Control            |
| 10             | 532 18 41-24    | Decal, Height Adjustment        |
| 11             | 532 18 40-28    | Decal, Belt Guard               |
| 12             | 532 18 40-37    | Decal, Fuel Shut-Off            |
| 13             | 532 18 04-33    | Decal, Sound Level              |
| --             | 532 19 95-86    | Operator's Manual, European     |
| --             | 532 19 95-87    | Operator's Manual, Scandinavian |
| --             | 532 19 95-85    | Operator's Manual, East Bloc    |
| --             | 532 19 95-84    | Repair Parts Manual, English    |

**NOTE:** All component dimensions given in U.S. inches. 1 inch = 25.4 mm  
**IMPORTANT:** Use only Original Equipment Manufacturer (O.E.M.) replacement parts.  
 Failure to do so could be hazardous, damage your unit and void your warranty.

**SERVICE NOTES**

## SERVICE NOTES

## LIMITED WARRANTY

The Manufacturer warrants to the original consumer purchaser that this product as manufactured is free from defects in materials and workmanship. For a period of two (2) years from date of purchase by the original consumer purchaser, we will repair or replace, at our option, without charge for parts or labor incurred in replacing parts, any part which we find to be defective due to materials or workmanship. This Warranty is subject to the following limitations and exclusions:

1. This warranty does not apply to the engine. Please contact your nearest dealer where they will send the machine to the engine manufacturer.
2. Transportation charges for the movement of any power equipment unit or attachment are the responsibility of the purchaser. Transportation charges for any parts submitted for replacement under this warranty must be paid by the purchaser unless such return is requested by your dealer.
3. Battery Warranty: On products equipped with a Battery, we will replace, without charge to you, any battery which we find to be defective in manufacture, during the first ninety (90) days of ownership. After ninety (90) days, we will exchange the Battery, charging you 1/12 of the price of a new Battery for each full month from the date of the original sale. Battery must be maintained in accordance with the instructions furnished.
4. The Warranty period for any products used for rental or commercial purposes is limited to 90 days from the date of original purchase.
5. This Warranty applies only to products which have been properly assembled, adjusted, operated, and maintained in accordance with the instructions furnished. This Warranty does not apply to any product which has been subjected to alteration, misuse, abuse, improper assembly or installation, delivery damage, or to normal wear of the product.
6. Exclusions: Excluded from this Warranty are belts, normal wear, normal adjustments, standard hardware and normal maintenance.
7. In case of any problem within the boundaries of this warranty, contact the nearest department store, indicate the model number, serial number and the date of purchase of your machine. This warranty does not apply to accidental damages. All implicit warranties are limited to the same time frames. Or contact:

E.M. Services  
54 Rue Lambrechts  
92400 Courbevoie  
France  
Telephone: (1) 46678078  
Fax: (1) 46678095

THIS WARRANTY DOES NOT APPLY TO INCIDENTAL OR CONSEQUENTIAL DAMAGES. ANY IMPLIED WARRANTIES ARE LIMITED TO THE SAME TIME PERIODS STATED HEREIN.



# McCULLOCH