

**ILLUSTRATED PARTS LIST**

**MODEL NUMBER PM6556D**

**PRODUCT NUMBER 961 41 01-16**

**MFG. ID. NUMBER 96141011601**



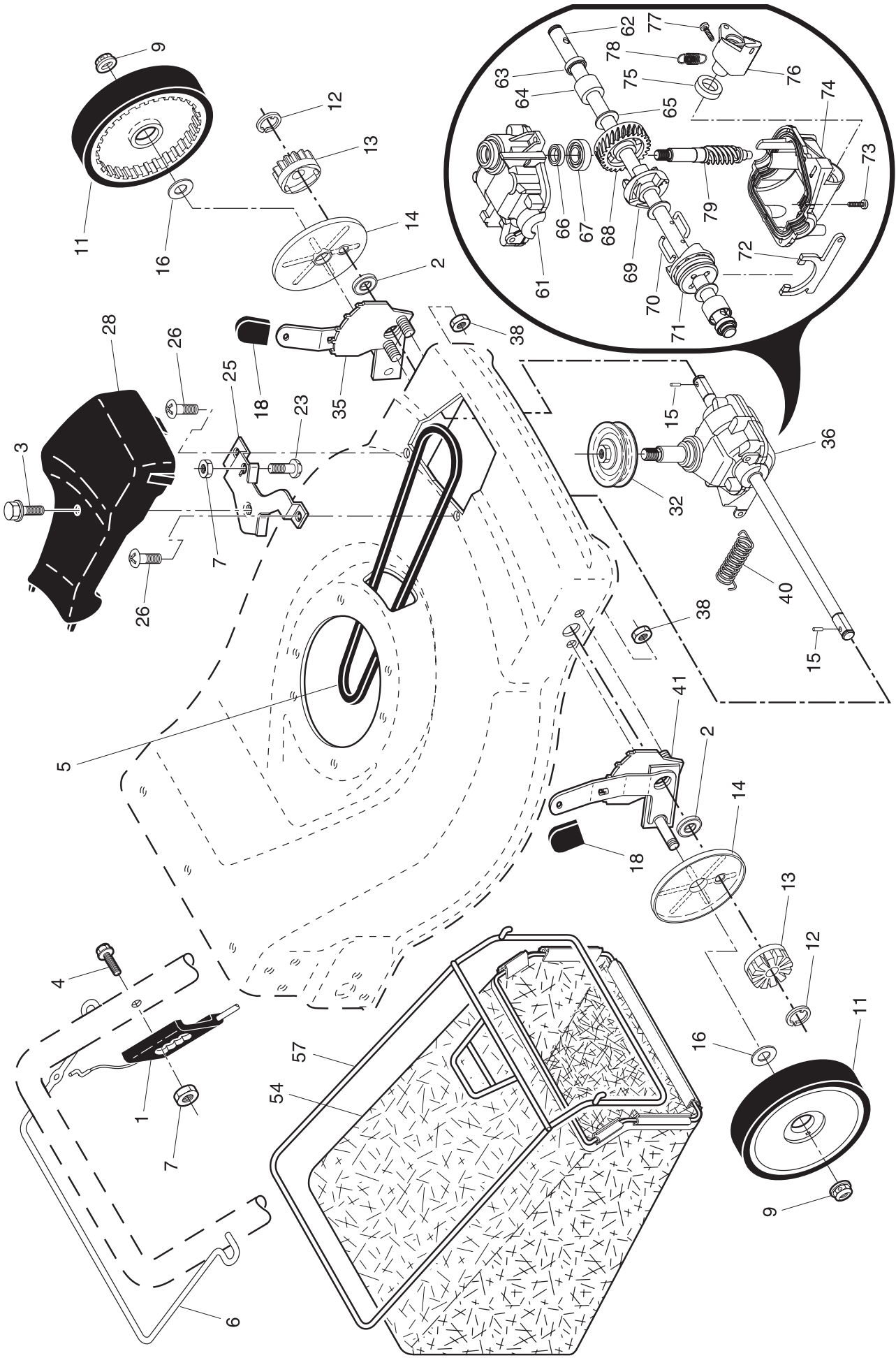
# ROTARY LAWN MOWER - - MODEL NUMBER PM6556D (96141011601) PRODUCT NUMBER 961 41 01-16

KEY NO.	PART NO.	DESCRIPTION	KEY NO.	PART NO.	DESCRIPTION
1	<b>532 40 32-98</b>	Upper Handle	40	532 19 71-51	Handle Bracket Assembly, RH
2	532 18 35-67	Engine Zone Control Cable	41	532 15 04-06	Screw, Hex Head, Threaded, Rolled 3/8-16 x 1-1/8
3	532 12 51-62	Bracket, Upstop	42	532 19 30-00	Spring, Torsion
4	532 16 66-49	Mulcher Plug	43	873 80 04-00	Nut, Hex, Nylock
5	532 06 64-26	Wire Tie	44	532 40 21-62	Kit, Lawn Mower Housing (Includes Key Numbers 14, 15 and 51)
6	532 19 19-38	Handle Knob	45	532 17 56-50	Rod, Hinge
7	532 75 06-34	Screw	46	<b>532 19 40-37</b>	Blade Adapter / Pulley
8	532 19 84-64	Control Bar	47	<b>532 19 93-79</b>	Blade, 22"
9	<b>532 40 84-92</b>	Rear Door	48	532 85 10-74	Washer, Hardened
10	532 12 84-15	Pop Rivet	49	532 85 02-63	Washer, Helical
11	532 15 00-50	Screw, Self-Tapping #10-24 x 5/8	50	532 85 10-84	Screw, Machine, Hex Head 3/8-24 x 1-3/8 Grade 8
12	532 05 45-83	Screw, Hex Hex Head, Sems 1/4-20 x 1/2	51	532 17 04-91	Front Baffle
14	532 19 84-65	Back Plate	52	532 18 21-66	Danger Decal
15	<b>532 41 13-34</b>	Side Baffle	53	817 60 04-06	Screw
16	532 17 71-33	Discharge Baffle	54	532 08 83-48	Washer
17	532 14 89-41	Rear Baffle	55	532 75 15-92	Locknut, Hex 3/8-16
18	532 13 20-04	Keps Locknut 1/4-20	56	532 14 66-94	Screw 1/4-20
19	532 19 47-88	Rope Guide	57	532 05 17-93	Hairpin Cotter
20	532 14 76-25	Footguard	58	532 15 50-44	Lower Handle
21	<b>532 40 54-21</b>	Spring, Rear Door, LH	59	532 19 15-74	Handle Bolt
24	<b>532 40 54-23</b>	Spring, Rear Door, RH	60	874 76 06-12	Bolt
25	<b>532 40 91-49</b>	Nut, Hex, Flanged	62	532 19 93-14	Debris Shield
26	532 18 41-93	Bolt, Rear Door	63	532 19 23-25	Screw, Debris Shield
27	532 40 25-95	Wheel & Tire Assembly, Rear, 12"	64	- - -	Engine, Briggs & Stratton, Model Number 124K02 (Order parts from Engine manufacturer)
28	532 14 27-48	Bolt, Shoulder 3/8-16 x 1	65	532 19 74-80	O-Ring
29	<b>532 40 16-30</b>	Washer, Belleville	69	532 19 79-91	Clip, Cable
30	<b>532 40 65-82</b>	Axle Arm Assembly	71	532 19 09-39	Mounting Bracket, Debris Shield
31	<b>532 70 10-37</b>	Selector Knob	72	532 18 22-27	Screw, Machine #8
32	<b>532 40 98-89</b>	Selector Spring	73	532 19 71-62	Belt Keeper
33	532 19 60-53	Mulcher Door	74	532 18 22-28	Nut, Hex #8
34	<b>532 40 16-29</b>	Spacer	- -	532 18 21-91	Warning Decal (not shown)
35	<b>532 41 06-26</b>	Wheel Adjusting Bracket	- -	<b>532 41 28-96</b>	Operator's Manual, European
36	532 17 57-35	Hinge Bracket Assembly	- -	<b>532 41 28-99</b>	Operator's Manual, Scandinavian
37	532 15 00-78	Screw, Sems, Thread Cutting 5/16-18 x 3/4	- -	<b>532 41 28-98</b>	Operator's Manual, East Bloc
38	532 40 30-73	Discharge Deflector	- -	<b>532 41 28-97</b>	Operator's Manual, Baltic
39	532 19 71-50	Handle Bracket Assembly, LH			

**NOTE:** All component dimensions given in U.S. inches. 1 inch = 25.4 mm

**IMPORTANT:** Use only Original Equipment Manufacturer (O.E.M.) replacement parts. Failure to do so could be hazardous, damage your lawn mower and void your warranty.

ROTARY LAWN MOWER -- MODEL NUMBER PM6556D (96141011601) PRODUCT NUMBER 961 41 01-16



**ROTARY LAWN MOWER - - MODEL NUMBER PM6556D (96141011601) PRODUCT NUMBER 961 41 01-16**

KEY PART NO.	KEY PART NO.	DESCRIPTION	DESCRIPTION
1	532 40 02-92	Drive Control Assembly (Includes Cable)	Spring
2	532 19 10-39	Bearing, Wheel Adjuster	Kit, Wheel Adjuster, RH
3	532 17 52-62	Pan Head Tapping Screw #10-24 x 2-3/4	(Includes Knob and Bearing)
4	532 19 96-87	Screw	Grassbag Assembly
5	532 19 68-57	V-Belt	Frame, Grassbag
6	532 19 84-53	Bar, Control, Drive	Case, Upper
7	532 19 17-30	Nut, Hex	Shaft, Output
9	532 40 91-48	Locknut, Hex	Seal, Output Shaft
11	532 40 25-67	Wheel & Tire Assembly	Bushing
12	812 00 00-58	E-Ring	Washer
13	532 40 38-49	Pinion	Seal, Worm Shaft
14	532 18 94-03	Dust Cover	Bearing, Ball
15	532 19 10-17	Pawl, Drive	Gear, 27 Teeth
16	532 06 77-25	Washer, Flat 3/8	Fixed Dog Clutch
18	532 70 10-37	Selector Knob	Wireform
23	532 08 86-52	Screw	Movable Dog Clutch
25	532 19 73-86	Belt Guide Bracket	Fork
26	532 19 23-25	Screw	Screw, Case
28	532 19 60-56	Drive Cover	Case, Lower
32	532 19 40-18	Drive Pulley	Seal, Lever
35	532 40 88-02	Kit, Wheel Adjuster, LH (Includes Knob and Bearing)	Lever
36	532 19 16-36	Gear Case Assembly, Complete	Screw, Lever
38	873 80 04-00	Locknut, Hex 1/4-20	Spring
			Shaft, Worm

**NOTE:** All component dimensions given in U.S. inches. 1 inch = 25.4 mm

**IMPORTANT:** Use only Original Equipment Manufacturer (O.E.M.) replacement parts. Failure to do so could be hazardous, damage your lawn mower and void your warranty.