

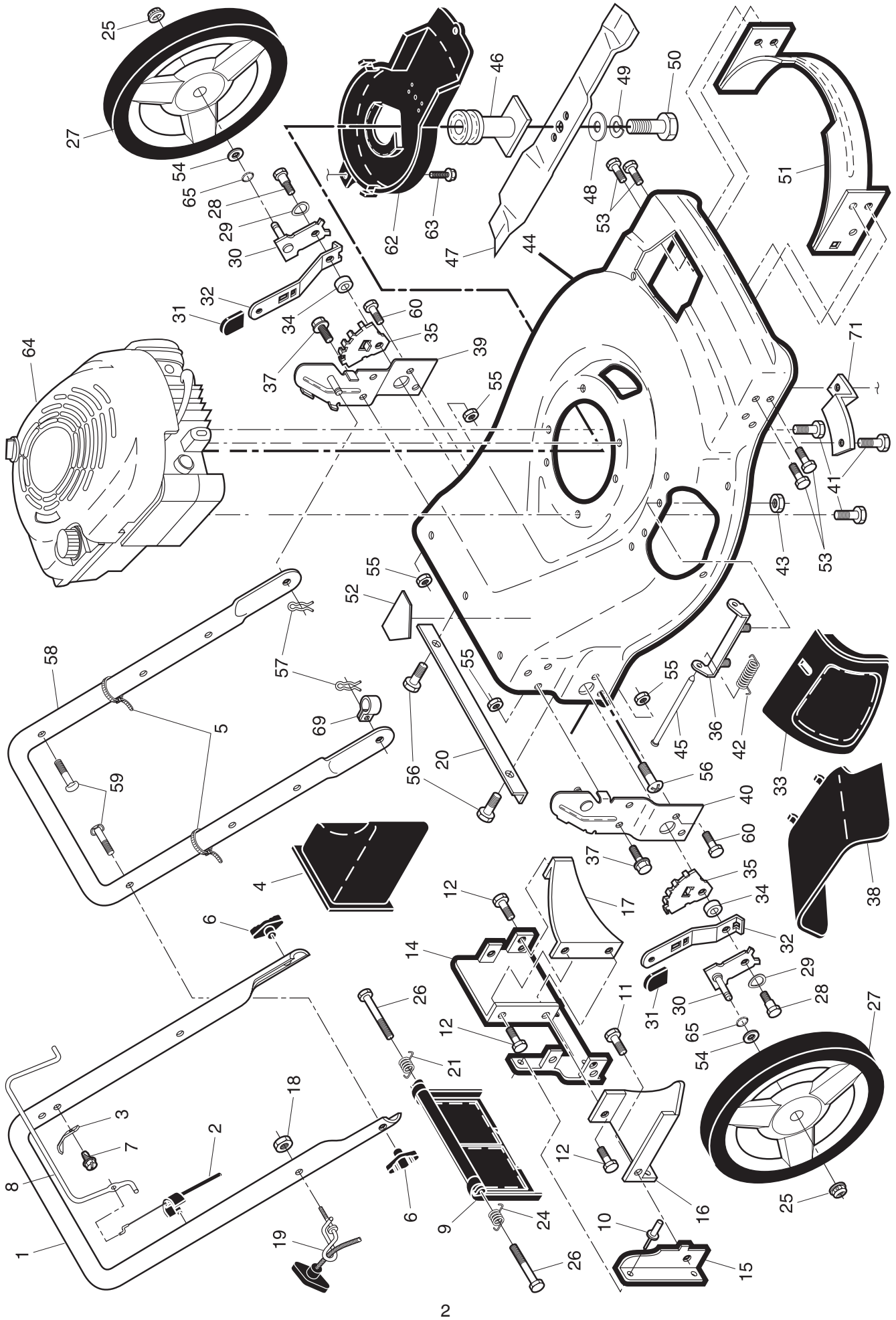
ILLUSTRATED PARTS LIST

MODEL NUMBER PRE6556

PRODUCT NUMBER 961 41 00-94

MFG. ID. NUMBER 96141009400

ROTARY LAWN MOWER -- MODEL NUMBER PRE6556 (96141009402) - PRODUCT NUMBER 961 41 00-94



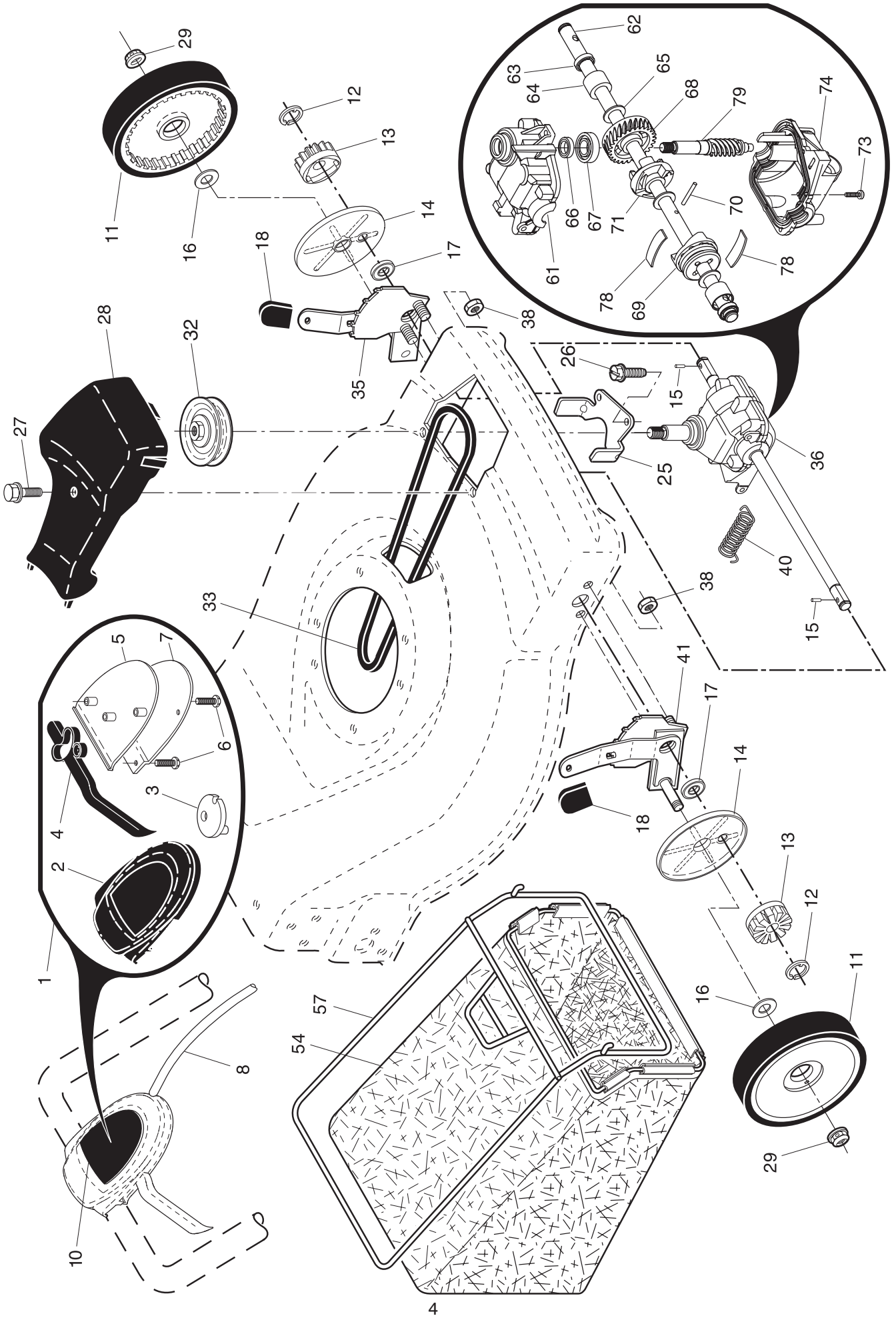
ROTARY LAWN MOWER - - MODEL NUMBER PRE6556 (96141009402) - PRODUCT NUMBER 961 41 00-94

KEY NO.	PART NO.	DESCRIPTION	KEY NO.	PART NO.	DESCRIPTION
1	532 40 30-71	Upper Handle	39	532 19 71-50	Handle Bracket Assembly, LH
2	532 18 35-67	Engine Zone Control Cable	40	532 19 71-51	Handle Bracket Assembly, RH
3	532 12 51-62	Bracket, Upstop	41	532 15 04-06	Bolt, Engine
4	532 16 66-49	Mulcher Plug	42	532 19 30-00	Spring, Torsion
5	532 06 64-26	Wire Tie	43	873 80 04-00	Nut, Hex, Nylock
6	532 19 19-38	Handle Knob	44	532 41 25-51	Kit, Lawn Mower Housing (Includes Key Numbers 14, 15 and 51)
7	532 75 06-34	Screw			Rod, Hinge
8	532 40 29-32	Control Bar	45	532 17 56-50	Blade Adapter / Pulley
9	532 40 84-92	Rear Door Assembly	46	532 19 40-37	Blade, 22"
10	532 12 84-15	Pop Rivet	47	532 19 93-79	Washer, Hardened
11	532 15 00-50	Screw, Self-Tapping #10-24 x 5/8	48	532 85 10-74	Washer, Helical
12	532 05 45-83	Screw, Hex Hex Head, Sems 1/4-20 x 1/2	49	532 85 02-63	Screw, Machine, Hex Head 3/8
14	532 19 84-65	Back Plate	50	532 85 10-84	Front Baffle
15	532 41 13-34	Side Baffle	51	532 17 04-91	Danger Decal
16	532 17 71-33	Discharge Baffle	52	532 18 21-66	Screw
17	532 14 89-41	Rear Baffle	53	817 60 04-06	Washer
18	532 13 20-04	Keps Locknut 1/4-20	54	532 08 83-48	Locknut, Hex 3/8-16
19	532 19 47-88	Rope Guide	55	532 75 15-92	Screw, Hinge 1/4-20 x 1-1/4
20	532 14 76-25	Foot Guard	56	532 14 66-94	Hairpin Cotter
21	532 40 54-21	Spring, Rear Door, LH	57	532 05 17-93	Lower Handle
24	532 40 54-23	Spring, Rear Door, RH	58	532 15 50-44	Handle Bolt
25	532 40 91-49	Nut, Hex, Flanged	59	532 19 15-74	Bolt
26	532 18 41-93	Bolt, Rear Door	60	874 76 06-12	Debris Shield
27	532 40 30-72	Wheel, Rear	62	532 40 58-42	Screw, Debris Shield
28	532 14 27-48	Bolt, Shoulder 3/8-16 x 1	63	532 19 23-25	Engine, Briggs & Stratton, Model Number 124K02 (Order parts from Engine manufacturer)
29	532 40 16-30	Washer, Curved, Cylindrical	64	- - -	O-Ring
30	532 40 65-82	Axle Arm Assembly	65	532 19 74-80	Clip, Cable
31	532 70 10-37	Selector Knob	69	532 19 79-91	Mounting Bracket, Debris Shield
32	532 40 98-89	Selector Spring	71	532 19 09-39	Warning Decal (not shown)
33	532 19 60-53	Mulcher Door	- -	532 18 21-91	Operator's Manual Euro
34	532 40 16-29	Spacer	- -	532 41 04-16	Operator's Manual Baltic
35	532 41 06-26	Wheel Adjusting Bracket	- -	532 41 04-17	Operator's Manual E-Bloc
36	532 17 57-35	Hinge Bracket Assembly	- -	532 41 04-18	Operator's Manual Scan
37	532 15 00-78	Screw, Sems, Thread Cutting 5/16-18 x 3/4	- -	532 41 04-19	
38	532 40 30-73	Discharge Deflector			

NOTE: All component dimensions given in U.S. inches. 1 inch = 25.4 mm

IMPORTANT: Use only Original Equipment Manufacturer (O.E.M.) replacement parts. Failure to do so could be hazardous, damage your lawn mower and void your warranty.

ROTARY LAWN MOWER -- MODEL NUMBER PRE6556 (96141009402) - PRODUCT NUMBER 961 41 00-94



ROTARY LAWN MOWER - - MODEL NUMBER PRE6556 (96141009402) - PRODUCT NUMBER 961 41 00-94

KEY NO.	PART NO.	DESCRIPTION	KEY NO.	PART NO.	DESCRIPTION
1	532 40 62-57	Drive Control Assembly (Includes Cable)	35	532 40 88-62	Kit, Wheel Adjuster, LH (Includes Knob and Bearing)
2	532 41 35-42	Cover, Drive Control, Top	36	532 40 48-34	Gear Case Assembly, Complete
3	532 40 62-62	Pulley	38	873 80 04-00	Locknut, Hex 1/4-20
4	532 18 82-81	Lever, Drive Control	40	532 40 65-58	Spring
5	532 41 35-41	Cover, Drive Control, Bottom	41	532 40 88-61	Kit, Wheel Adjuster, RH (Includes Knob and Bearing)
6	532 18 16-98	Screw, Torx Head #8 x 5/8	54	532 41 06-87	Grassbag Assembly
7	532 40 07-23	Mounting Bracket, Drive Control	57	532 40 74-54	Frame, Grassbag
8	532 40 62-59	Cable, Drive Control	61	532 41 07-26	Case, Upper
10	532 41 01-19	Decal, Drive Control	62	532 41 07-28	Shaft, Output
11	532 40 25-67	Wheel & Tire Assembly	63	532 18 35-08	Seal, Output Shaft
12	812 00 00-58	E-Ring	64	532 18 35-11	Bushing
13	532 40 38-49	Gear, Pinion	65	532 18 35-09	Washer
14	532 18 94-03	Dust Cover	66	532 18 35-14	Seal, Worm Shaft
15	532 19 10-17	Drive Pawl	67	532 18 35-06	Bearing, Ball
16	532 06 77-25	Washer, Flat 3/8	68	532 41 07-29	Gear, 28 Teeth
17	532 19 10-39	Bearing, Wheel Adjuster	69	532 41 07-32	Fixed Dog Clutch
18	532 70 10-37	Selector Knob	70	532 41 07-33	Pin
25	532 41 16-63	Belt Keeper	71	532 41 07-30	Movable Dog Clutch
26	532 16 34-09	Screw, Hi-Lo Thread #12 x 5/8	73	532 18 35-13	Screw, Case
27	532 17 52-62	Pan Head Tapping Screw #10-24 x 2-3/4	74	532 41 07-34	Case, Lower
28	532 19 60-56	Drive Cover	78	532 41 07-31	Spring, Leaf
29	532 40 91-48	Locknut, Hex	79	532 41 07-27	Shaft, Worm
32	532 19 40-18	Drive Pulley			
33	532 19 68-57	V-Belt			

NOTE: All component dimensions given in U.S. inches. 1 inch = 25.4 mm

IMPORTANT: Use only Original Equipment Manufacturer (O.E.M.) replacement parts. Failure to do so could be hazardous, damage your lawn mower and void your warranty.