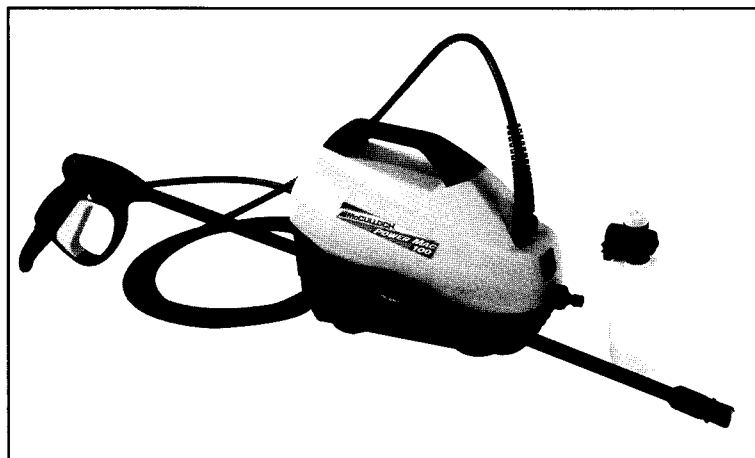


 **McCULLOCH**[®]

ILLUSTRATED PARTS LIST

POWER MAC 100

CE



November 1998

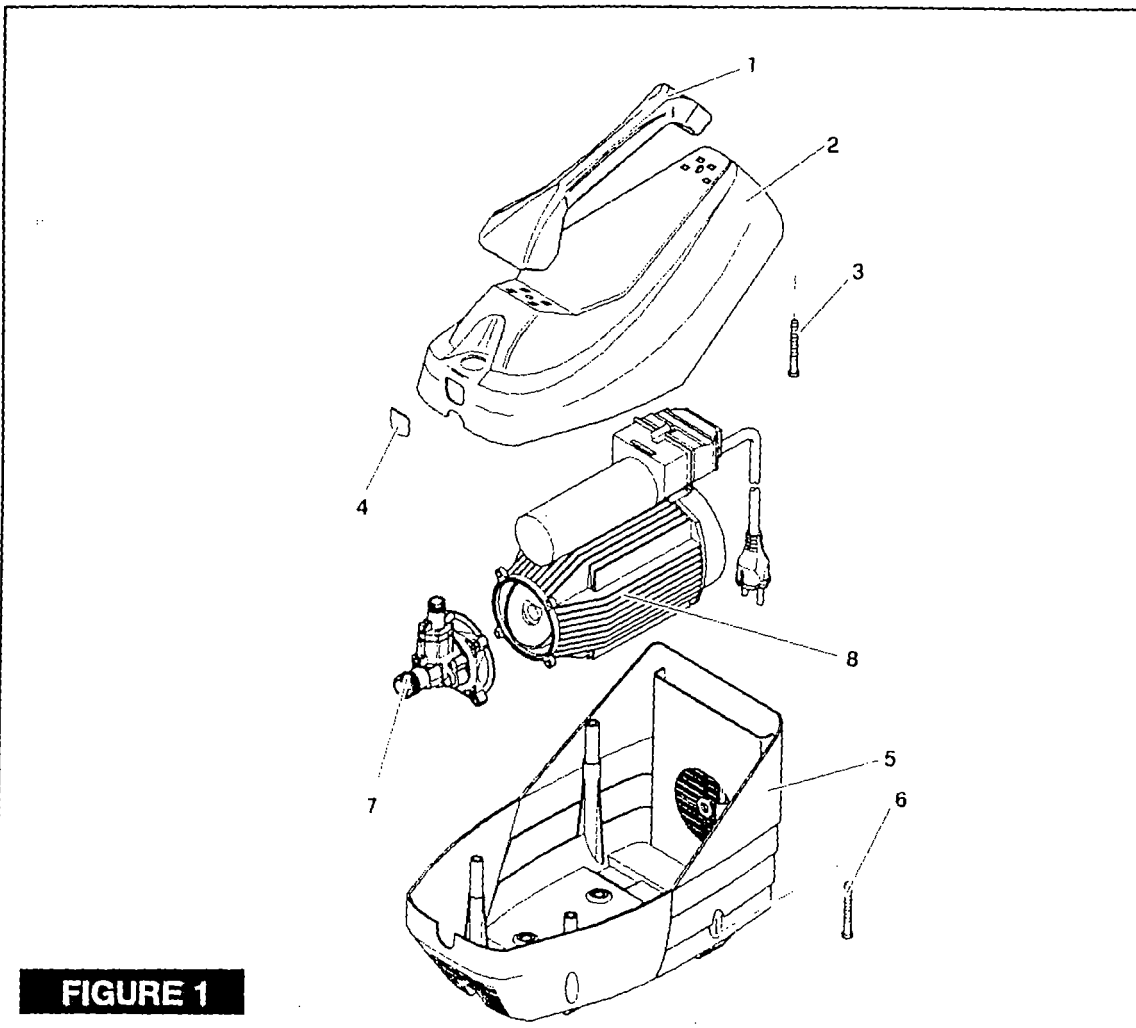


FIGURE 1

1	1680690	1
C 2	1680700	1
3	1681290	2
4	1682320	1
C 5	1680710	1
6	1681280	4
7	FIGURE 2	
8	FIGURE 3	

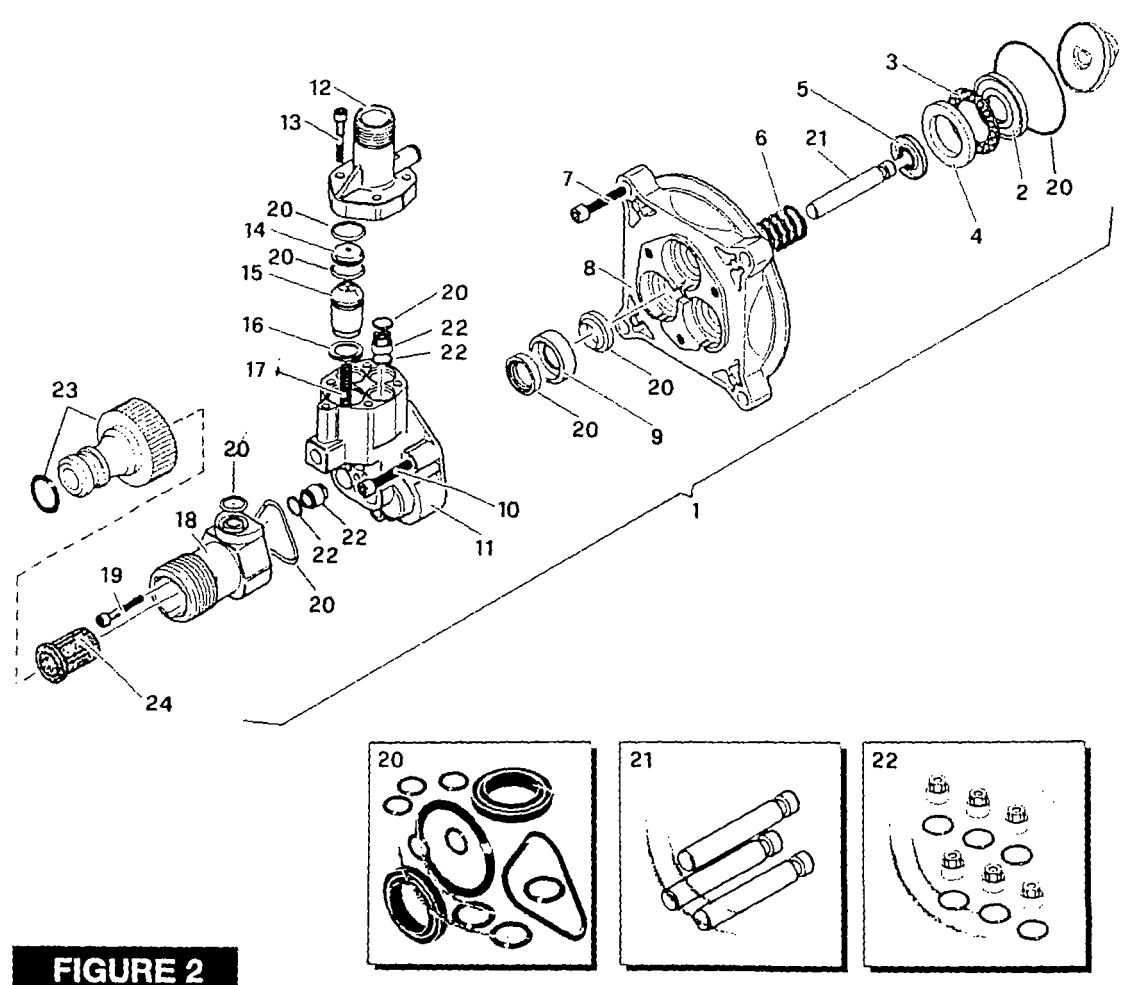
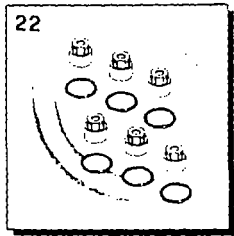
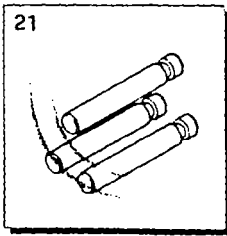
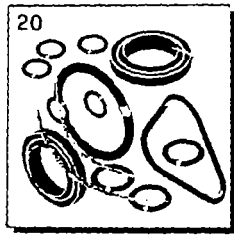
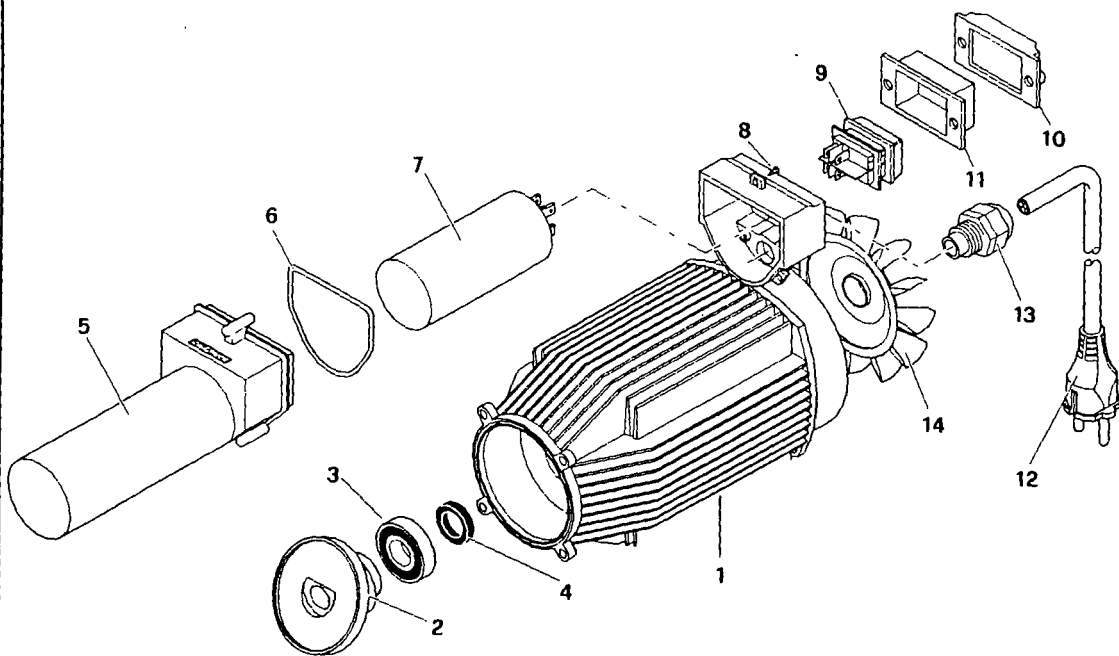


FIGURE 2

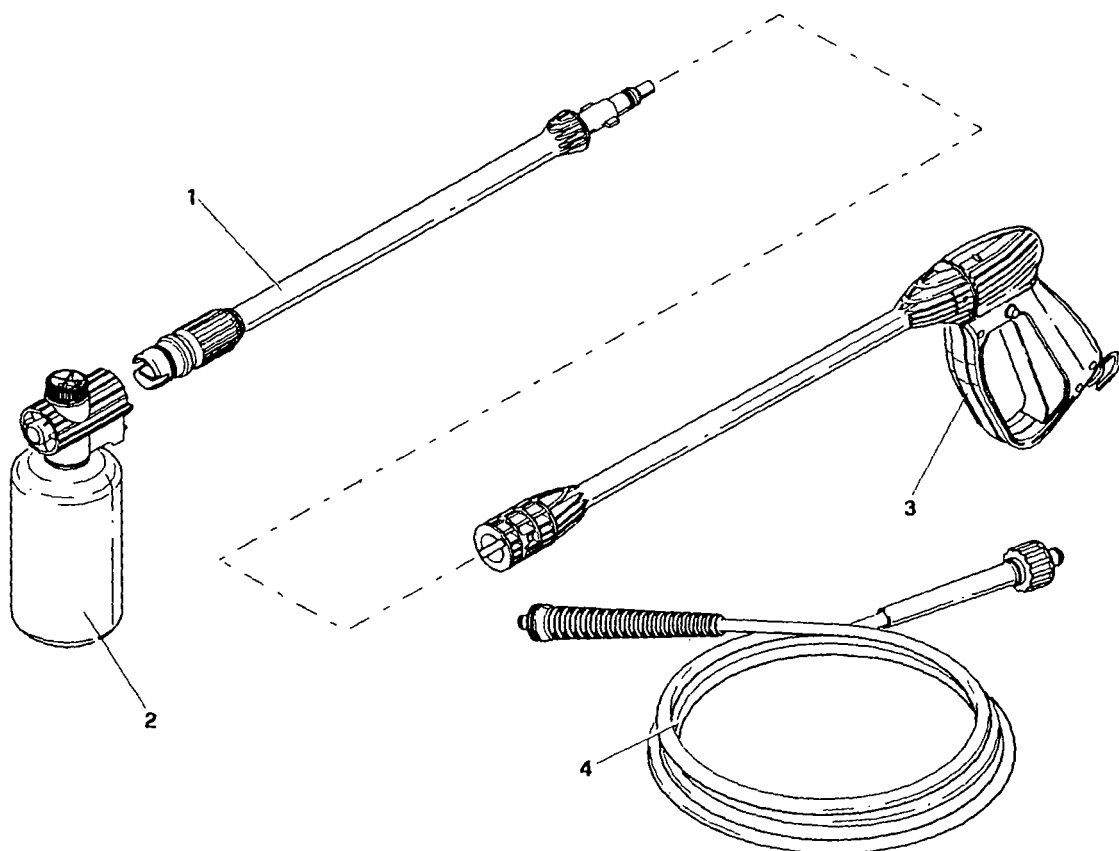
1	2209200	1
C 2	• 1460070	1
C 3	• 1461770	1
C 4	• 1680340	1
C 5	• 2020140	3
C 6	• 2020150	3
7	• 2200210	4
8	• 2020120	1
9	• 2020050	3
10	850850	3
11	• 2020021	1
12	• 2020080	1
13	• 2200150	4
14	• 2020390	1
15	• 2029210	1
16	• 2020760	1
17	• 2020110	1
18	• 2020090	1
19	• 2200160	3
A 20	• 2735	1
B 21	• 2734	1
A 22	• 2733	1
B 23	1461470	1
A 24	1340260	1





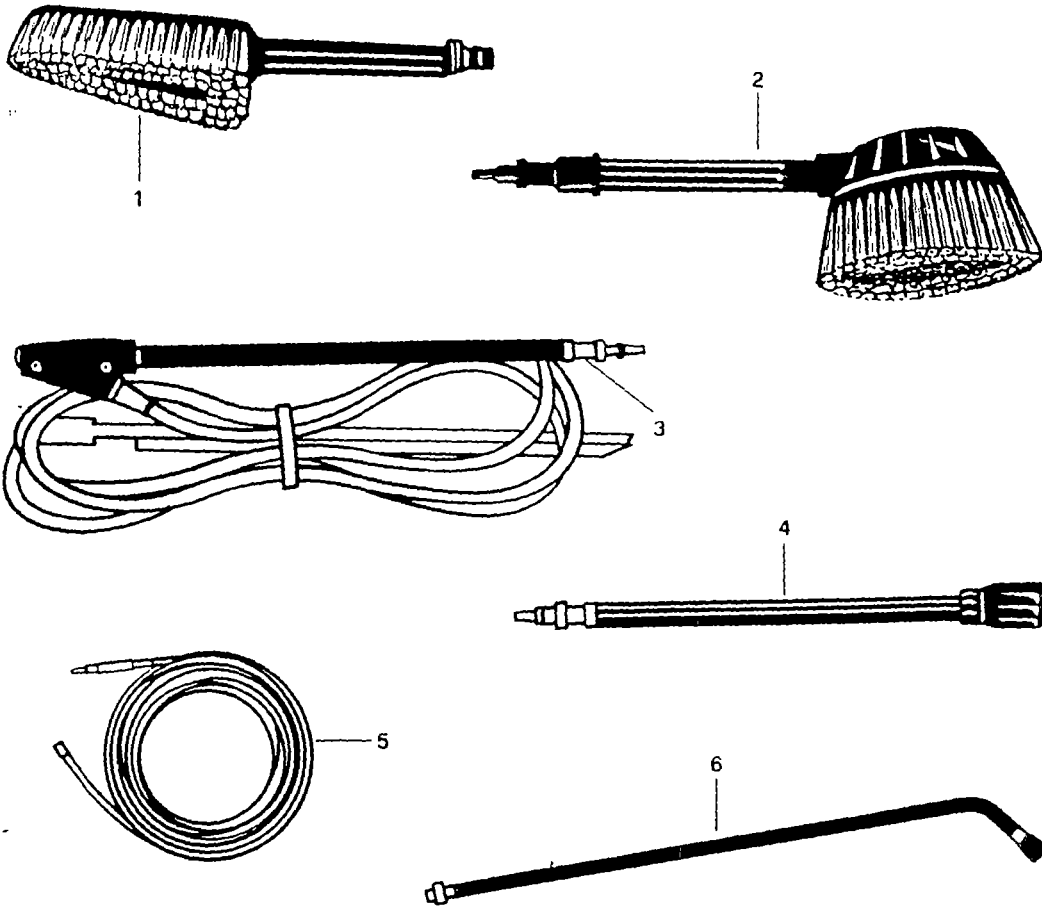
1	4264	SCHUKO	1
2	●1680170		1
3	●2200110		1
4	●840020		1
5	●1680480		1
6	●850840		1
7	●2200120		1
8	●1261551		3
C 9	●1682270		1
10	●1381940		1
11	●1381980		1
12	●2200090	SCHUKO	1
13	●1682280		1
C 14	●1680250		1

FIGURE 3



B 1	3737		1
B 2	3588		1
B 3	3560		1
B 4	2000420		1

FIGURE 4



1	3760	1
2	3761	1
3	3762	1
4	3763	1
5	3764	1
6	3765	1

FIGURE 5

8