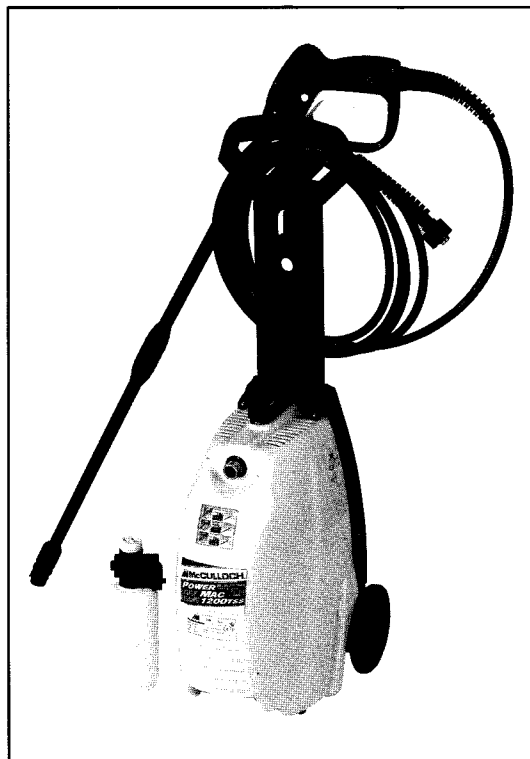


 **McCULLOCH**[®]

ILLUSTRATED PARTS LIST

POWER MAC 1200 TSS

CE



November 1998

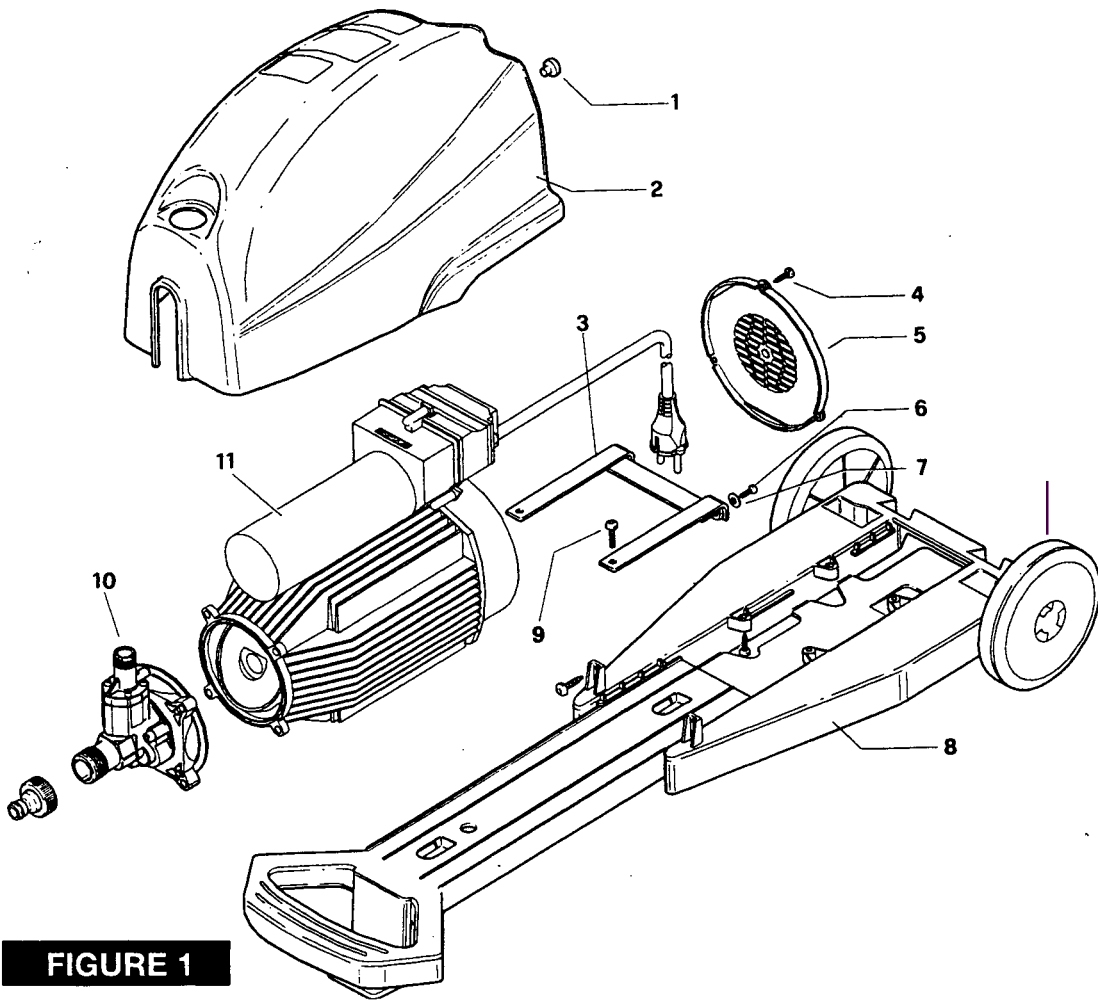


FIGURE 1

1	740420	2
C 2	2020950	1
3	2020831	1
4	1261570	3
C 5	1680190	1
6	1470400	2
7	2020990	2
C 8	3592	1
9	2021090	2
10	FIGURE 2	
11	FIGURE 3	

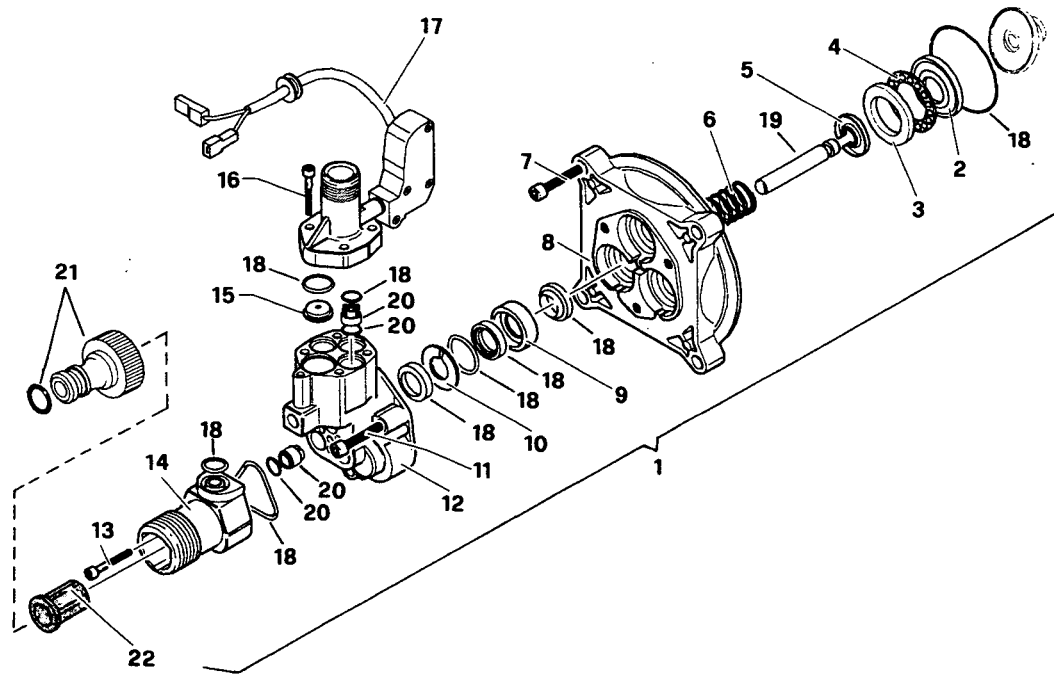
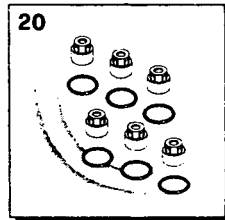
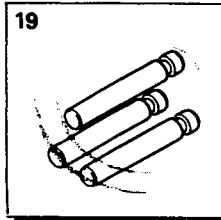
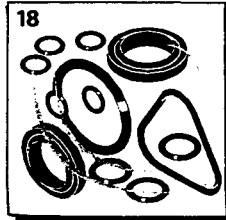


FIGURE 2

1	2029209	1
C 2	● 1460070	1
C 3	● 1680340	1
C 4	● 1461770	1
C 5	● 2020140	3
C 6	● 2020150	3
7	● 850850	4
8	● 2020120	1
9	● 2020030	3
10	● 2020040	3
11	● 850850	3
12	● 2020020	1
13	● 2020100	3
14	● 2020090	1
15	● 2020320	1
16	● 2020100	4
17	● 2029208	1
A 18	● 2735	1
B 19	● 2734	1
A 20	● 2733	1
B 21	1461470	1
A 22	1340260	1



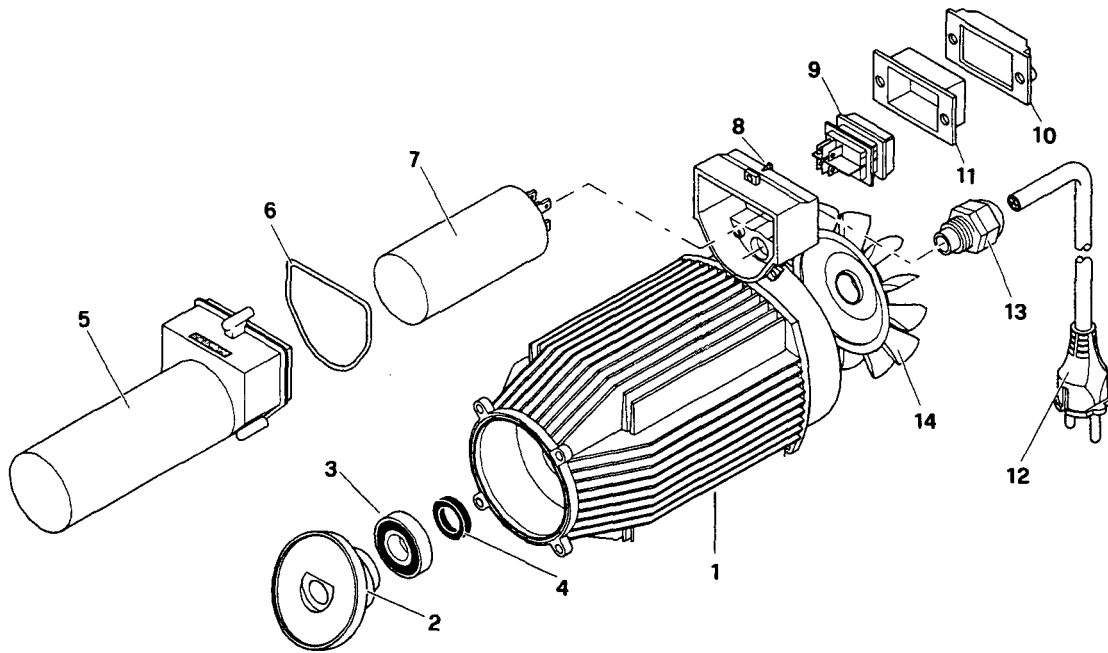


FIGURE 3

1	4359	SCHUKO	1
	4363	UK	1
2	● 1683000		1
3	● 1461430		1
4	● 840020		1
5	● 2020340		1
6	● 850840		1
7	● 1680670		1
8	● 1261551		3
C 9	● 1681120		1
10	● 1381940		1
11	● 1381980		1
12	● 1343400	SCHUKO	1
	● 1681510	UK	1
13	● 1463850		1
C 14	● 1680250		1

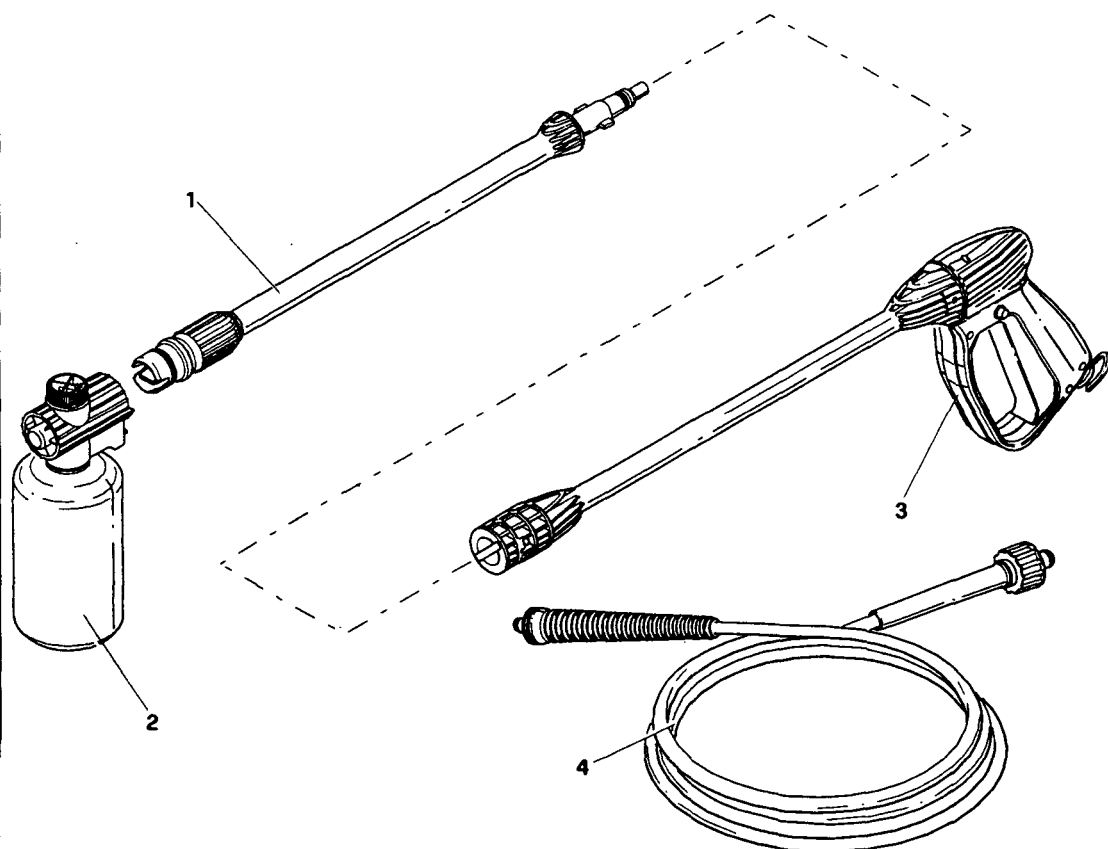
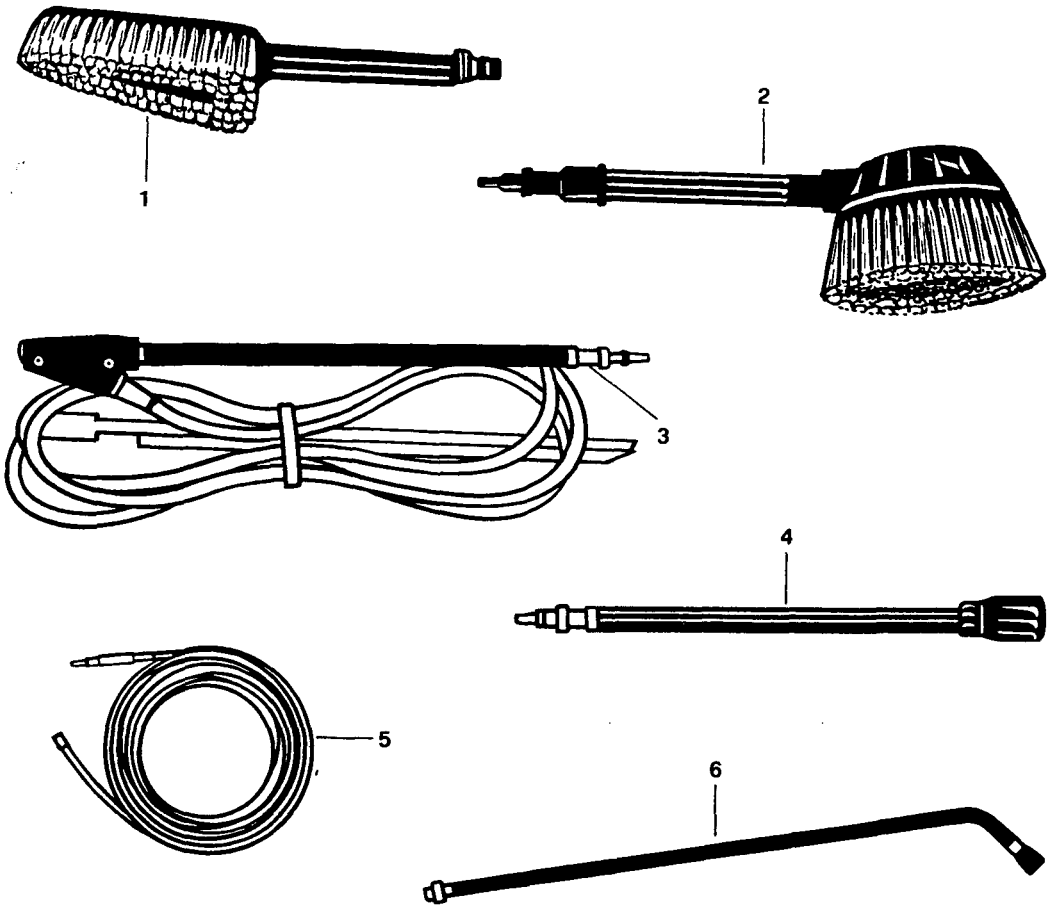


FIGURE 4

B 1	3633		1
B 2	3588		1
B 3	3560		1
B 4	2000420		1



1	3760	1
2	3761	1
3	3762	1
4	3763	1
5	3764	1
6	3765	1

FIGURE 5