

ILLUSTRATED PARTS LIST

MODEL NUMBER PM BASIC

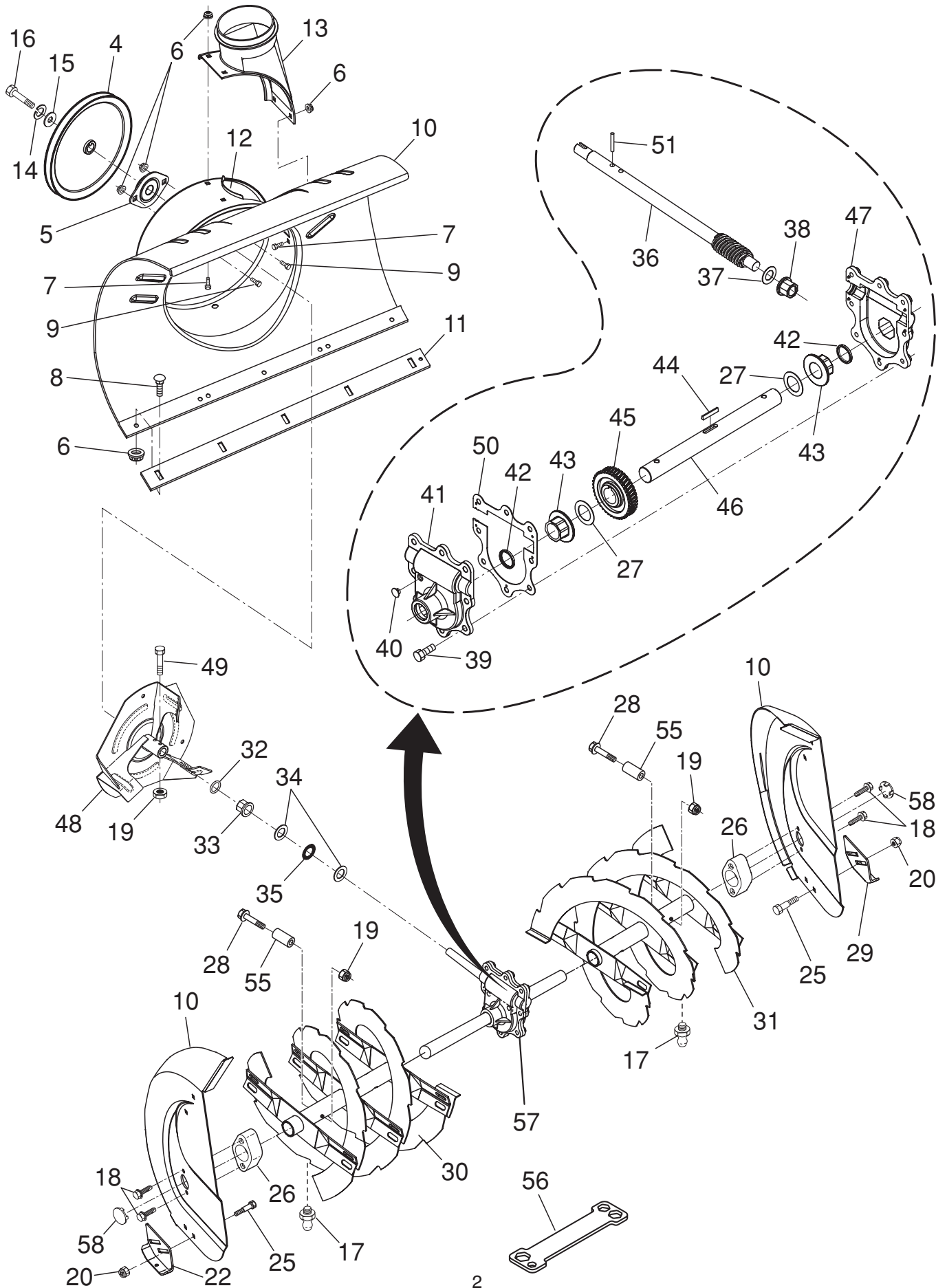
PRODUCT NUMBER 961 91 00-27

MFG. ID. NUMBER 96191002700

REPAIR PARTS

AUGER HOUSING / IMPELLER ASSEMBLY

SNOW THROWER - MODEL NO. **PM BASIC** (96191002700), PRODUCT NO. 961 91 00-27



REPAIR PARTS

AUGER HOUSING / IMPELLER ASSEMBLY

SNOW THROWER - MODEL NO. **PM BASIC** (96191002700), PRODUCT NO. 961 91 00-27

| KEY NO. | PART NO. | DESCRIPTION |
|---------|---------------------|---|
| 4 | 532 19 10-79 | Pulley, Impeller |
| 5 | 532 18 89-09 | Bearing Assembly, Flange |
| 6 | 532 15 53-77 | Nut, Hex Flange 5/16-18 |
| 7 | 532 18 03-55 | Bolt, Flat Head, Carriage 5/16-18 x 5/8 |
| 8 | 872 27 05-05 | Bolt, Carriage 5/16-1 8 x 5/8 |
| 9 | 532 16 31-83 | Bolt |
| 10 | 532 41 52-95 | Housing, Auger |
| 11 | 532 40 78-25 | Bar, Scraper |
| 12 | 532 18 40-95 | Bracket, Corner Discharge |
| 13 | 532 17 53-22 | Base, Discharge Chute |
| 14 | 810 04 05-00 | Washer, Lock 5/16 |
| 15 | 819 11 15-07 | Washer, Flat |
| 16 | 874 94 05-16 | Screw, Hex Head 5/16-18 x 3/4 |
| 17 | 532 40 56-37 | Grease Fitting |
| 18 | 532 17 95-82 | Screw, Hex Head 5/16 x 1 |
| 19 | 873 80 04-00 | Nut, Hex Lock 1/4-20 |
| 20 | 532 15 53-77 | Nut, Hex Lock 5/16-18 |
| 22 | 532 18 40-94 | Skid Plate, RH |
| 25 | 872 27 05-06 | Bolt, Shoulder 1/4-20 |
| 26 | 532 17 46-58 | Bearing Retainer, Plastic |
| 27 | 532 17 46-97 | Washer, Thrust, 1" |
| 28 | 532 19 86-36 | Screw #25-20 x 1-3/4 |
| 29 | 532 18 40-93 | Skid Plate, LH |
| 30 | 532 40 78-50 | Auger Assembly, RH |
| 31 | 532 40 78-66 | Auger Assembly, LH |
| 32 | 532 40 77-68 | O-Ring |
| 33 | 532 40 77-69 | Bushing, Flange 3/4 |
| 34 | 532 17 46-81 | Washer, Thrust 3/4 |
| 35 | 532 17 46-84 | Bearing, Thrust 3/4 |
| 36 | 532 40 77-57 | Shaft, Impeller |
| 37 | 532 17 46-83 | Washer, Thrust 5/8 |
| 38 | 532 40 77-58 | Bushing, Flange 5/8 |
| 39 | 532 40 77-67 | Screw, Hex Head 5/16-18 x 3/4 |
| 40 | 532 40 77-60 | Plug, Case |
| 41 | 532 40 77-61 | Housing, Gearbox, RH |
| 42 | 532 40 77-70 | Seal, Oil |
| 43 | 532 40 77-62 | Bushing, Flange, 1" |
| 44 | 532 18 92-82 | Key, Square 1/4 x 1/4 x 7/8 |
| 45 | 532 40 77-63 | Gear, Worm |
| 46 | 532 40 77-64 | Shaft, Auger |
| 47 | 532 40 77-65 | Housing, Gearbox, LH |
| 48 | 532 18 41-05 | Impeller Assembly |
| 49 | 874 78 04-26 | Screw, Hex Head 1/4-20 x 1-5/8 |
| 50 | 532 40 77-66 | Gasket, Gearbox |
| 51 | 532 18 42-05 | Pin, Roll 3/16 x 1-1/8 |
| 55 | 532 19 86-38 | Spacer |
| 56 | 532 18 06-84 | Multi-Wrench |
| 57 | 532 19 67-10 | Gearbox Assembly |
| 58 | 532 41 19-39 | Plug, Bearing Hole |

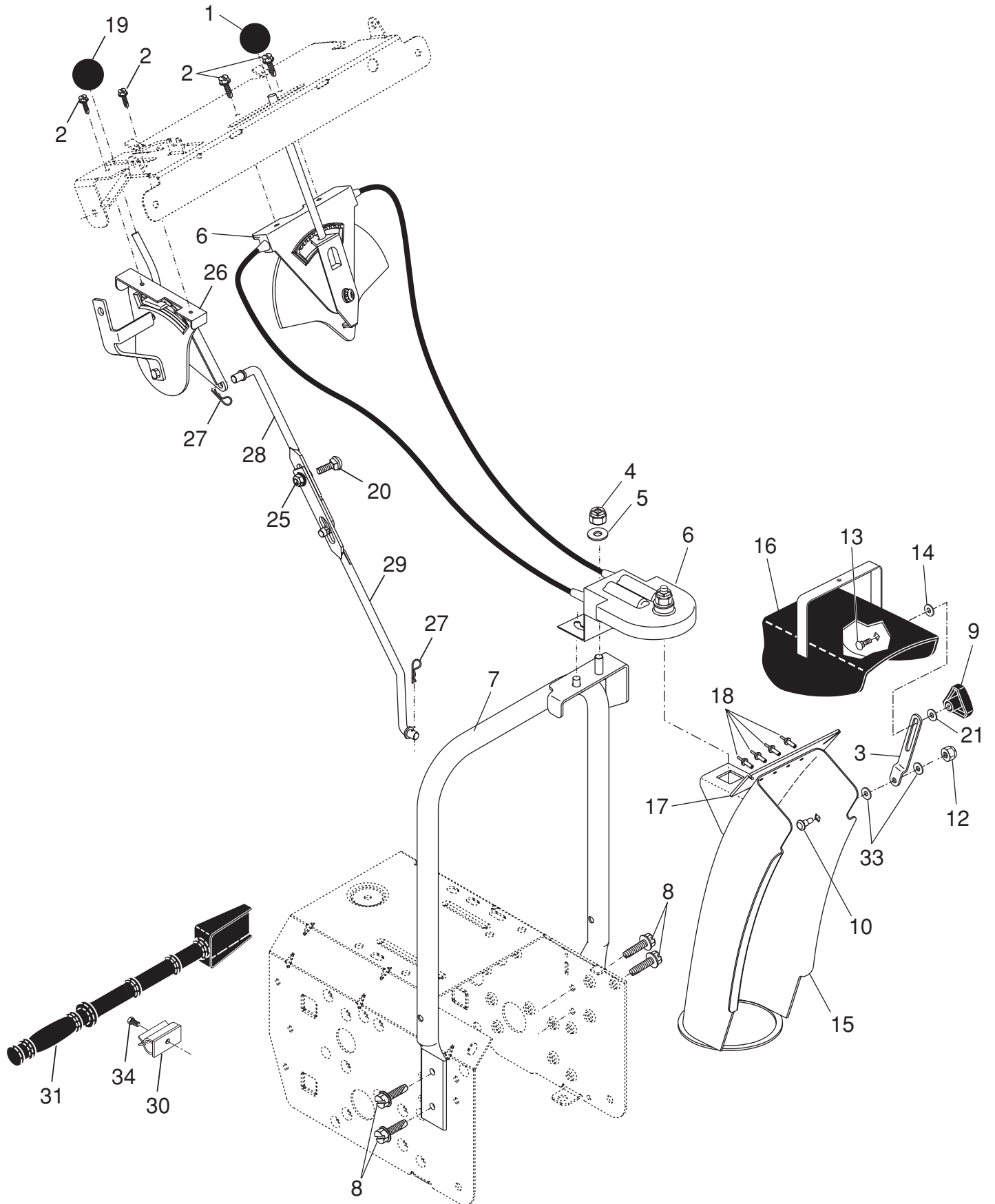
NOTE: All component dimensions given in U.S. inches. 1 inch = 25.4 mm

IMPORTANT: Use only Original Equipment Manufacturer (O.E.M.) replacement parts. Failure to do so could be hazardous, damage your snow thrower and void your warranty.

REPAIR PARTS

CONTROL PANEL / DISCHARGE CHUTE

SNOW THROWER - MODEL NO. **PM BASIC** (96191002700), PRODUCT NO. 961 91 00-27



REPAIR PARTS

CONTROL PANEL / DISCHARGE CHUTE SNOW THROWER - MODEL NO. **PM BASIC** (96191002700), PRODUCT NO. 961 91 00-27

| KEY NO. | PART NO. | DESCRIPTION |
|---------|---------------------|----------------------------------|
| 1 | 532 41 42-80 | Knob, Lever |
| 2 | 817 50 10-10 | Screw #10-24 x 5/8 |
| 3 | 532 18 41-14 | Strap, Slotted |
| 4 | 873 80 06-00 | Nut, Lock 3/8-16 |
| 5 | 819 13 13-16 | Washer, Flat 3/8 |
| 6 | 532 40 49-74 | Control Assembly, Chute Rotater |
| 7 | 532 41 54-89 | Support, Pivot |
| 8 | 532 15 00-78 | Screw, Hex Head 5/16-18 x 3/4 |
| 9 | 532 19 19-38 | Knob, Deflector |
| 10 | 532 18 56-00 | Bolt, Shoulder |
| 12 | 532 19 17-30 | Nut, Lock 1/4-20 |
| 13 | 872 27 05-05 | Bolt, Carriage 5/16-18 |
| 14 | 532 17 92-46 | Washer, Nylon |
| 15 | 532 40 77-32 | Chute Assembly |
| 16 | 532 18 45-11 | Deflector Assembly |
| 17 | 532 17 91-45 | Seal, Deflector |
| 18 | 532 12 84-15 | Rivet, Blind |
| 19 | 532 41 42-81 | Knob, Speed Control Lever |
| 20 | 872 27 05-06 | Bolt, Carriage 5/16-18 x 3/4 |
| 21 | 532 15 54-15 | Washer, Flat 5/16 |
| 25 | 532 15 53-77 | Nut, Lock 5/16-18 |
| 26 | 532 19 84-74 | Lever Assembly, Speed Control |
| 27 | 532 16 96-75 | Retainer, Hairpin |
| 28 | 532 18 04-45 | Rod, Upper, Speed Control |
| 29 | 532 18 77-16 | Rod, Lower, Speed Control |
| 30 | 532 40 54-00 | Clamp, Clean-Out Tool |
| 31 | 532 19 21-99 | Tool, Clean-Out |
| 33 | 532 17 92-46 | Washer, Nylon |
| 34 | 532 19 41-89 | Screw, Hi-Lo Thread #13-16 x 5/8 |

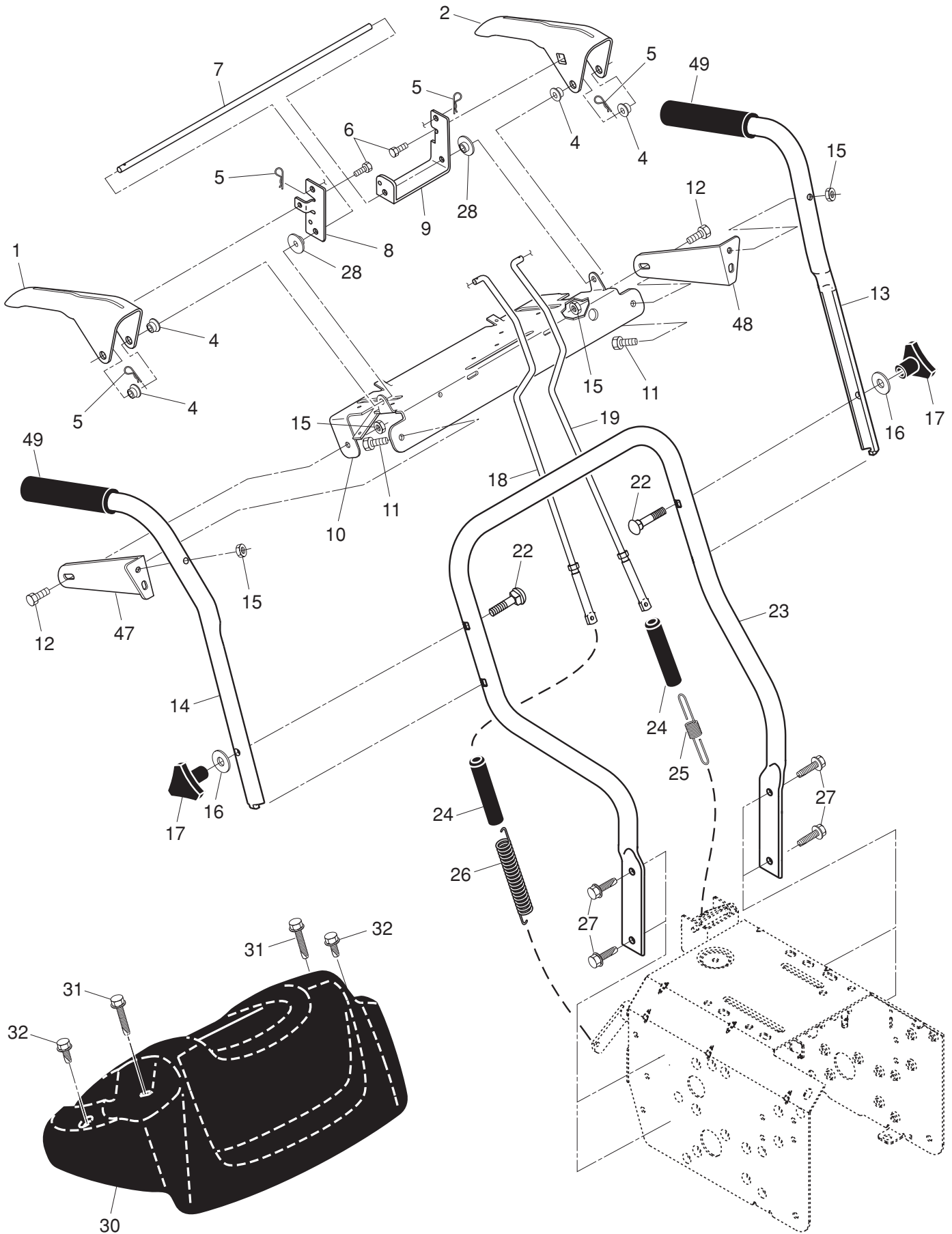
NOTE: All component dimensions given in U.S. inches. 1 inch = 25.4 mm

IMPORTANT: Use only Original Equipment Manufacturer (O.E.M.) replacement parts. Failure to do so could be hazardous, damage your snow thrower and void your warranty.

REPAIR PARTS

HANDLES

SNOW THROWER - MODEL NO. **PM BASIC** (96191002700), PRODUCT NO. 961 91 00-27



REPAIR PARTS**HANDLES****SNOW THROWER - MODEL NO. PM BASIC (96191002700), PRODUCT NO. 961 91 00-27**

| KEY NO. | PART NO. | DESCRIPTION |
|---------|---------------------|---|
| 1 | 532 40 76-49 | Lever, Auger Control, RH |
| 2 | 532 40 76-48 | Lever, Traction Drive Control, LH |
| 4 | 532 41 26-80 | Spacer |
| 5 | 532 16 96-75 | Retainer, Hairpin |
| 6 | 817 06 04-08 | Screw, Hex Head |
| 7 | 532 17 86-52 | Rod, Interlock |
| 8 | 532 19 95-76 | Arm, Impeller Rod |
| 9 | 532 19 95-75 | Arm, Traction Rod |
| 10 | 532 19 95-31 | Panel, Control |
| 11 | 874 78 05-24 | Screw, Hex Head 5/16-18 x 1-1/2 |
| 12 | 874 78 05-12 | Screw, Hex Head 5/16-18 x 3/4 |
| 13 | 532 41 52-36 | Handle Tube, LH |
| 14 | 532 41 52-37 | Handle Tube, RH |
| 15 | 532 75 11-53 | Nut, Lock 5/16-18 |
| 16 | 819 13 13-16 | Washer, Flat 3/8 |
| 17 | 532 17 88-99 | Knob, Handle |
| 18 | 532 18 04-80 | Rod, Auger Control |
| 19 | 532 40 57-40 | Rod, Traction Control |
| 22 | 872 12 06-18 | Bolt, Carriage 3/8-16 x 2-1/4 |
| 23 | 532 41 54-36 | Handle Tube, Lower |
| 24 | 532 18 04-47 | Sleeve, Spring |
| 25 | 532 18 09-26 | Spring, Traction Drive |
| 26 | 532 17 86-69 | Spring, Auger Control |
| 27 | 817 00 06-16 | Screw, Hex Head 3/8-16 x 1 |
| 28 | 532 17 88-88 | Bushing, Pivot Lever |
| 30 | 532 18 33-52 | Console, Panel |
| 31 | 532 17 52-62 | Screw, Hex Head, Tapping #10-24 x 1-1/4 |
| 32 | 532 18 44-71 | Screw, Hex Head, Tapping #10-24 x 1/2 |
| 36 | 532 17 88-31 | Spring, Torsion |
| 47 | 532 19 69-43 | Mounting Bracket, Handle, RH |
| 48 | 532 19 69-44 | Mounting Bracket, Handle, LH |
| 49 | 532 19 95-13 | Grip, Handle |

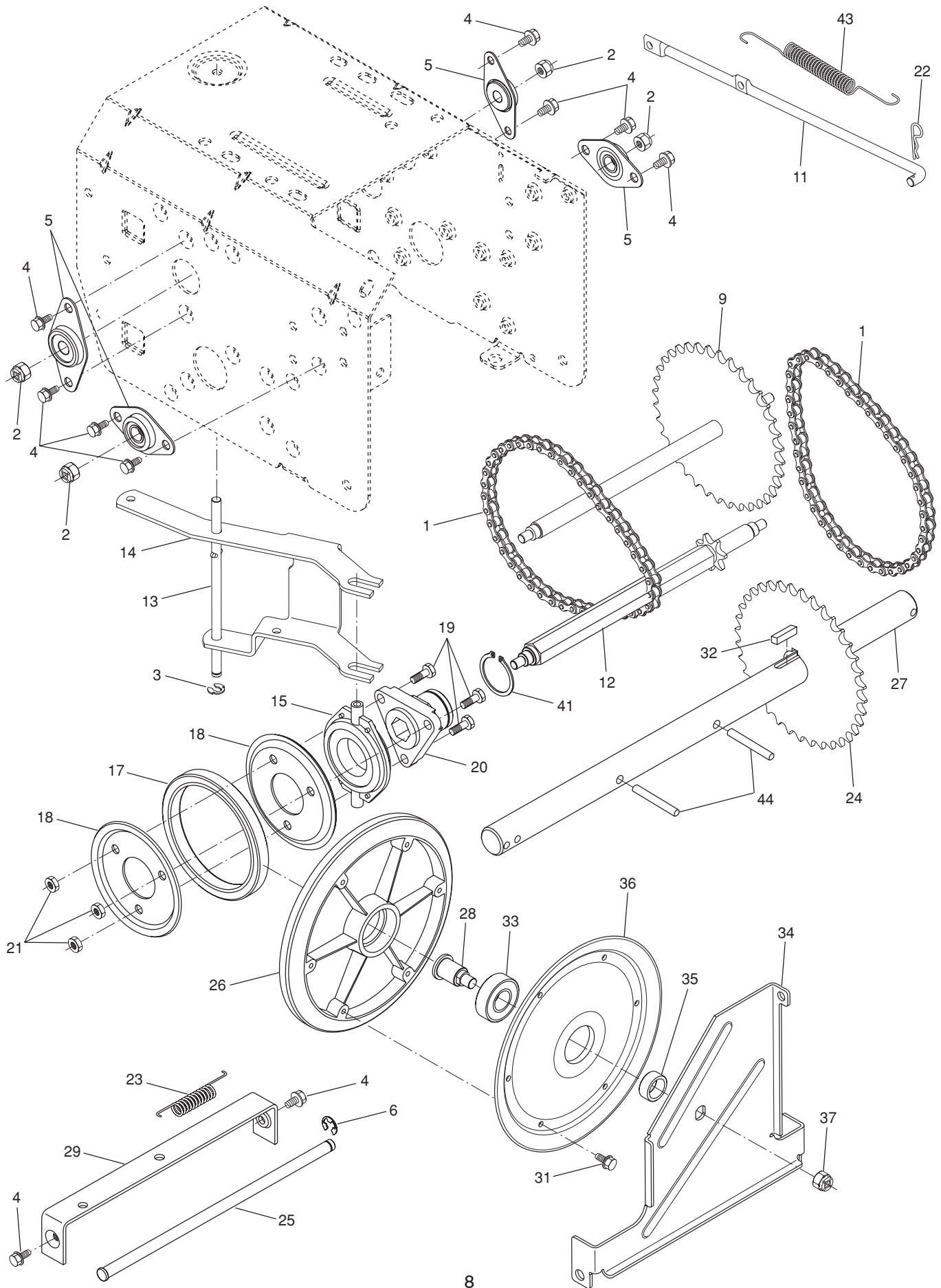
NOTE: All component dimensions given in U.S. inches. 1 inch = 25.4 mm

IMPORTANT: Use only Original Equipment Manufacturer (O.E.M.) replacement parts. Failure to do so could be hazardous, damage your snow thrower and void your warranty.

REPAIR PARTS

DRIVE

SNOW THROWER - MODEL NO. **PM BASIC** (96191002700), PRODUCT NO. 961 91 00-27



| KEY NO. | PART NO. | DESCRIPTION |
|---------|--------------|-------------------------------|
| 1 | 532 40 16-19 | Chain, Drive |
| 2 | 532 75 11-53 | Nut, Lock 5/16-18 |
| 3 | 532 40 28-82 | Clip, Retainer |
| 4 | 817 49 05-08 | Bolt, Hex Head 5/16-18 x 1/2 |
| 5 | 532 40 89-81 | Bearing, Flange |
| 6 | 812 00 00-07 | E-Ring, Retainer |
| 9 | 532 40 28-55 | Sprocket & Shaft Assembly |
| 11 | 532 40 25-68 | Rod, Clutch |
| 12 | 532 40 21-87 | Shaft, Hex |
| 13 | 532 40 23-10 | Pivot Rod, Shifter |
| 14 | 532 41 53-88 | Yoke, Shifter |
| 15 | 532 17 53-44 | Trunnion Bearing Assembly |
| 17 | 532 17 86-13 | Hub, Rubber Wheel |
| 18 | 532 19 95-09 | Plate, Rubber Wheel |
| 19 | 874 76 05-14 | Screw, Hex Head 5/16-18 x 7/8 |
| 20 | 532 17 98-31 | Ring, Rubber Wheel |
| 21 | 873 93 05-00 | Nut, Lock 5/16-18 |
| 22 | 532 16 96-75 | Retainer, Hairpin |
| 23 | 532 18 01-35 | Spring, Bias |
| 24 | 532 40 26-91 | Sprocket, Axle Shaft |
| 25 | 532 40 26-52 | Pivot Rod, Swing Plate |
| 26 | 532 40 18-20 | Plate, Drive |
| 27 | 532 17 93-52 | Axle Shaft Assembly |
| 28 | 532 40 25-04 | Shaft, Friction Pulley |
| 29 | 532 41 54-29 | Bracket, Shifter, Speed |
| 31 | 817 54 10-08 | Screw, Cap Head |
| 32 | 532 18 92-82 | Key, Square |
| 33 | 532 19 87-91 | Bearing, Ball |
| 34 | 532 40 23-94 | Plate, Swing |
| 35 | 532 40 25-11 | Spacer, Bearing |
| 36 | 532 40 23-93 | Pulley, Friction |
| 37 | 532 13 20-10 | Nut, Lock 5/16-18 |
| 41 | 812 00 00-12 | Ring, Retaining |
| 43 | 532 40 28-78 | Spring, Return |
| 44 | 532 18 42-06 | Pin, Roll |

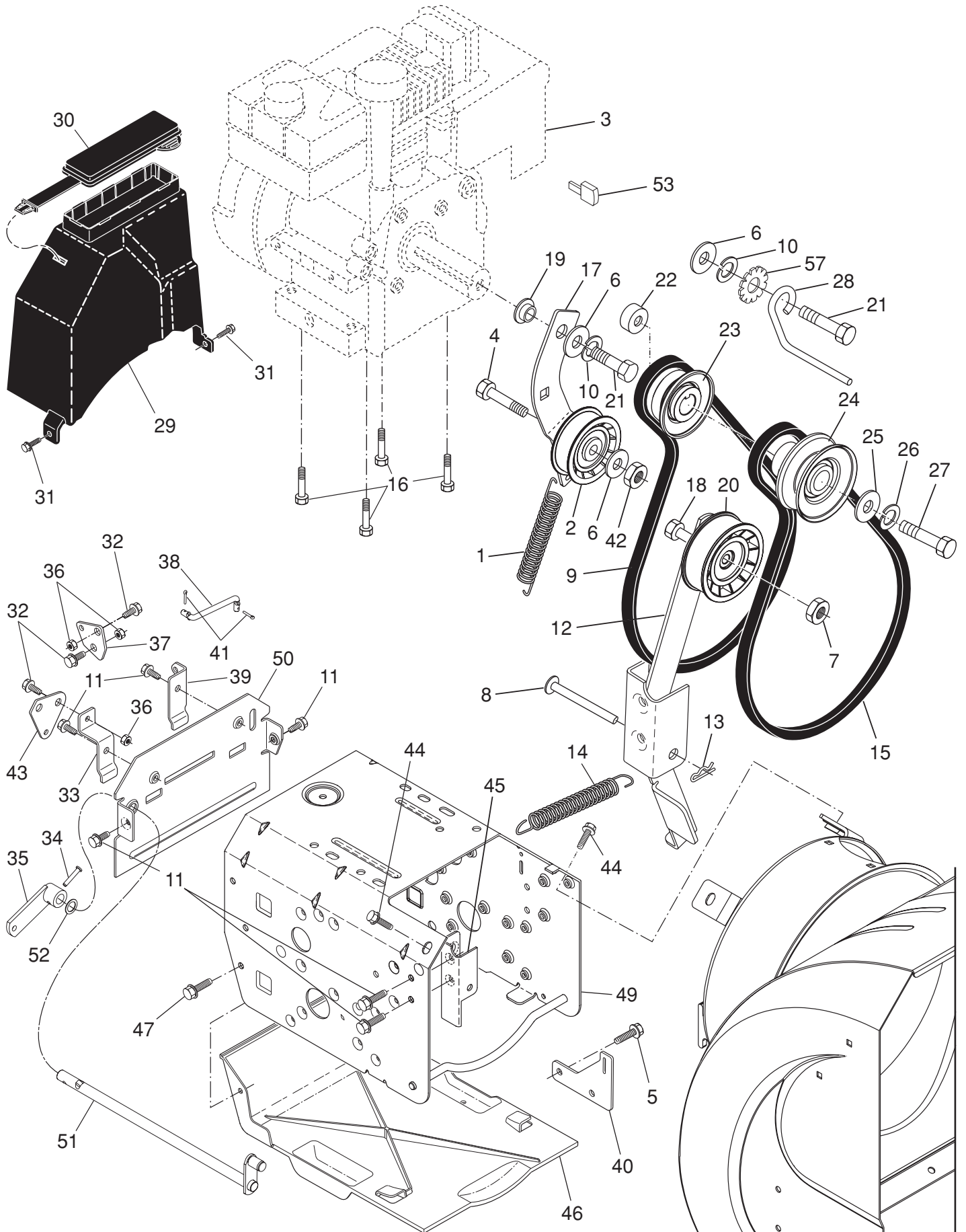
NOTE: All component dimensions given in U.S. inches. 1 inch = 25.4 mm

IMPORTANT: Use only Original Equipment Manufacturer (O.E.M.) replacement parts. Failure to do so could be hazardous, damage your snow thrower and void your warranty.

REPAIR PARTS

CHASSIS / ENGINE / PULLEYS

SNOW THROWER - MODEL NO. **PM BASIC** (96191002700), PRODUCT NO. 961 91 00-27



REPAIR PARTS

CHASSIS / ENGINE / PULLEYS

SNOW THROWER - MODEL NO. **PM BASIC** (96191002700), PRODUCT NO. 961 91 00-27

| KEY PART NO. | PART NO. | DESCRIPTION | KEY PART NO. | PART NO. | DESCRIPTION |
|--------------|---------------------|---|--------------|---------------------|---|
| 1 | 532 41 45-57 | Spring, Traction Idler | 28 | 532 15 54-52 | Guide, Belt |
| 2 | 532 18 05-22 | Pulley, Idler (2-1/4) | 29 | 532 19 22-13 | Belt Cover Assembly (Includes Toolbox Cover) |
| 3 | - - - | Engine, B+S, Model Number 12A112 | 30 | 532 17 88-30 | Cover, Toolbox |
| 4 | 874 78 05-20 | Screw, Hex Head 5/16-18 x 1-1/4 | 31 | 817 49 04-08 | Screw, Hex Head 1/4-20 x 1/2 |
| 5 | 532 15 00-78 | Screw | 32 | 532 40 28-81 | Bolt, Shoulder 5/16-18 |
| 6 | 532 05 92-89 | Washer, Flat | 33 | 532 41 54-33 | Bellcrank Shifter |
| 7 | 532 16 67-85 | Nut, Jam, Lock 5/16-18 | 34 | 532 19 85-80 | Clevis Pin |
| 8 | 532 17 53-30 | Pin, Idler Pivot | 35 | 532 40 54-85 | Arm, Auger Control |
| 9 | 532 40 79-08 | V-Belt, Traction Drive | 36 | 532 19 17-30 | Locknut, Hex |
| 10 | 810 04 05-00 | Washer, Lock 5/16 | 37 | 532 41 54-35 | Plate, Clutch |
| 11 | 817 49 05-08 | Screw, Hex Washer Head 5/16-18 x 1/2 | 38 | 532 18 71-01 | Link, Speed Control |
| 12 | 532 41 04-20 | Impeller Arm Assembly | 39 | 532 41 54-34 | Bracket, Clutch |
| 13 | 532 08 51-79 | Retainer, Hairpin | 40 | 532 41 34-29 | Bracket, Traction |
| 14 | 532 17 88-28 | Spring, Brake | 41 | 532 70 02-79 | Hairpin, Cotter 3/32 x 1/2 |
| 15 | 532 40 80-07 | V-Belt, Impeller Drive | 42 | 873 93 05-00 | Locknut, Hex |
| 16 | 532 15 04-06 | Screw, Hex Head 3/8-16 x 1-1/4 | 43 | 532 41 54-50 | Plate, Shifter |
| 17 | 532 18 77-86 | Arm, Idler | 44 | 817 00 06-16 | Screw, Hex Head |
| 18 | 874 78 05-24 | Screw, Hex Head 5/16-18 x 1-1/2 | 45 | 532 18 40-74 | Pivot Bracket, Impeller Idler Arm |
| 19 | 532 17 53-31 | Bushing, Idler Pivot | 46 | 532 41 08-77 | Pan, Frame Bottom |
| 20 | 532 18 05-23 | Pulley, Idler (2-3/4) | 47 | 532 18 44-71 | Screw |
| 21 | 874 61 05-16 | Screw, Hex Head 5/16-24 x 1 | 49 | 532 41 56-05 | Frame Assembly |
| 22 | 532 40 94-75 | Spacer, Engine Pulley | 50 | 532 41 54-31 | Plate, Frame End |
| 23 | 532 18 04-78 | Pulley, Engine, Traction Drive | 51 | 532 40 61-09 | Shaft, Auger Control |
| 24 | 532 17 91-57 | Pulley, Engine, Impeller Drive | 52 | 532 05 70-79 | Washer, Hardened |
| 25 | 532 40 00-26 | Washer, Flat 3/8 | 53 | 532 19 30-71 | Key, Safety |
| 26 | 532 85 02-63 | Washer, Lock 3/8 | 56 | 532 41 70-85 | Mounting Plate, Engine |
| 27 | 532 85 10-84 | Screw, Hex Head 3/8-24 x 1-3/8 | 57 | 811 05 05-00 | Washer, Lock, External Tooth |

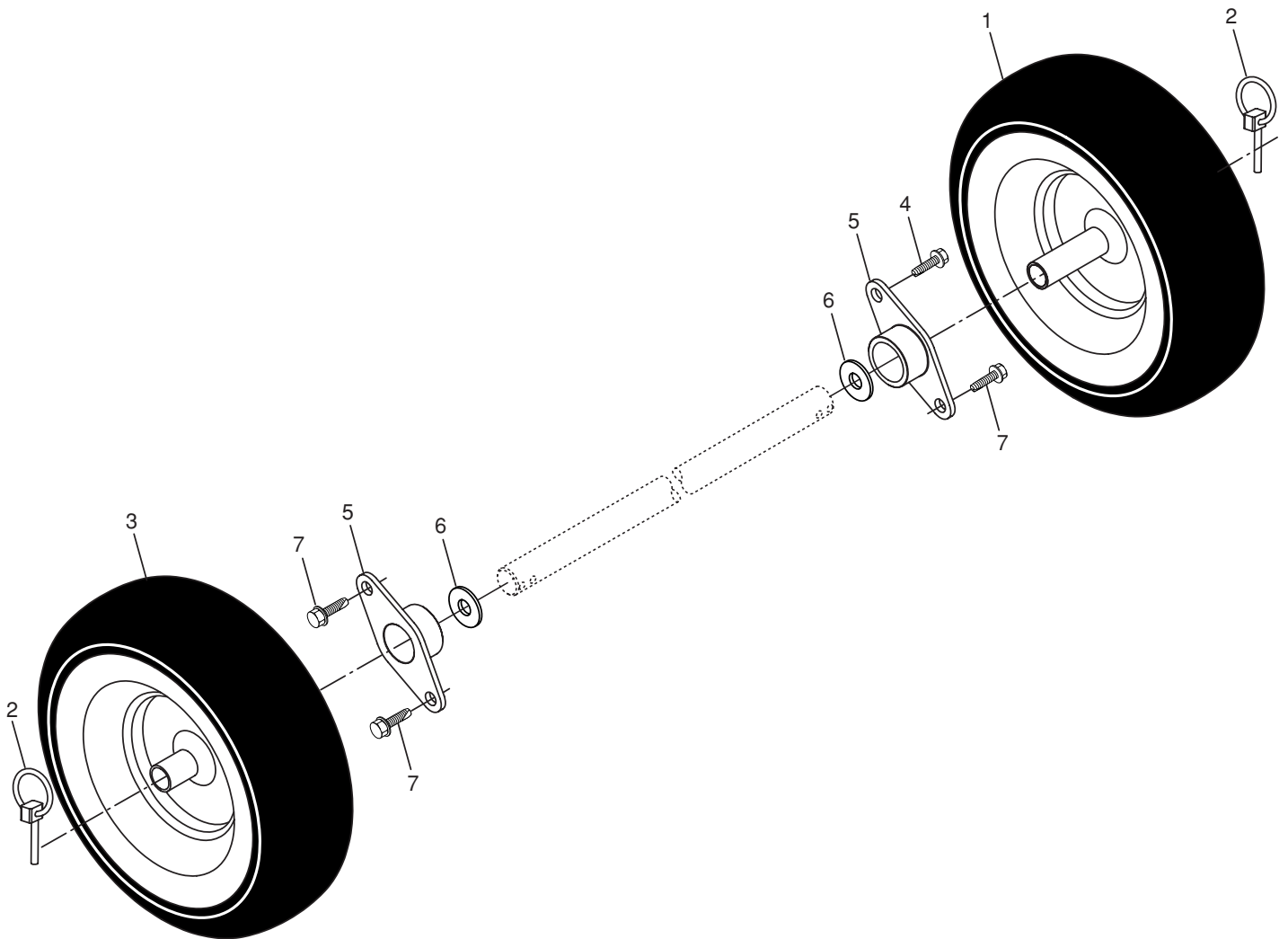
NOTE: All component dimensions given in U.S. inches. 1 inch = 25.4 mm

IMPORTANT: Use only Original Equipment Manufacturer (O.E.M.) replacement parts. Failure to do so could be hazardous, damage your snow thrower and void your warranty.

REPAIR PARTS

WHEELS

SNOW THROWER - MODEL NO. **PM BASIC** (96191002700), PRODUCT NO. 961 91 00-27



REPAIR PARTS

WHEELS

SNOW THROWER - MODEL NO. **PM BASIC** (96191002700), PRODUCT NO. 961 91 00-27

| KEY NO. | PART NO. | DESCRIPTION |
|---------|--------------|-------------------------------|
| 1 | 532 41 53-72 | Wheel Assembly, 13", LH |
| 2 | 532 15 54-43 | Pin, Klik 1/4 |
| 3 | 532 41 53-79 | Wheel Assembly, 13", RH |
| 4 | 532 14 63-15 | Screw, Hex Head 5/16-18 x 5/8 |
| 5 | 532 17 98-30 | Bearing, Axle |
| 6 | 532 17 46-97 | Washer, Thrust (1") |
| 7 | 817 49 05-08 | Bolt |

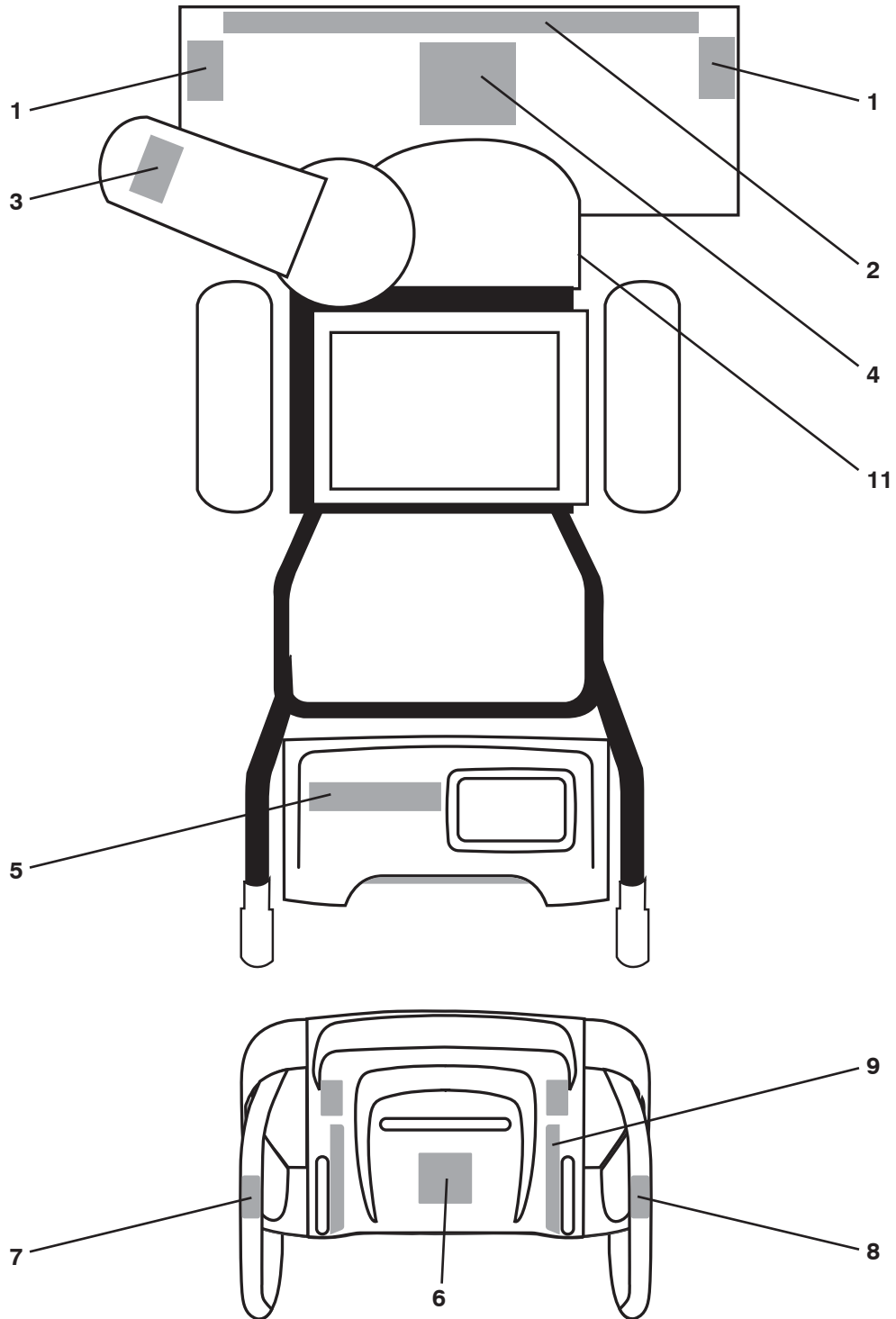
NOTE: All component dimensions given in U.S. inches. 1 inch = 25.4 mm

IMPORTANT: Use only Original Equipment Manufacturer (O.E.M.) replacement parts. Failure to do so could be hazardous, damage your snow thrower and void your warranty.

REPAIR PARTS

DECALS

SNOW THROWER - MODEL NO. PM BASIC (96191002700), PRODUCT NO. 961 91 00-27



| KEY NO. | PART NO. | DESCRIPTION |
|---------|---------------------|---------------------------------|
| 1 | 532 19 96-83 | Decal, Danger |
| 2 | 532 41 48-47 | Decal, Partner |
| 3 | 532 19 96-82 | Decal, Danger, Deflector |
| 4 | 532 18 40-45 | Decal, Danger |
| 5 | 532 41 48-10 | Decal, Partner |
| 6 | 532 18 40-30 | Decal, Instruction |
| 7 | 532 41 53-93 | Decal, Traction Lever |
| 8 | 532 41 53-92 | Decal, Auger Lever |
| 9 | 532 41 54-77 | Decal, Speed Control |
| 11 | 532 18 40-28 | Decal, Belt Guard |
| -- | 532 40 81-31 | Operator's Manual, European |
| -- | 532 40 81-32 | Operator's Manual, Scandinavian |
| -- | 532 40 81-33 | Operator's Manual, East Bloc |
| -- | 532 40 92-47 | Operator's Manual, Baltic |

NOTE: All component dimensions given in U.S. inches. 1 inch = 25.4 mm

IMPORTANT: Use only Original Equipment Manufacturer (O.E.M.) replacement parts. Failure to do so could be hazardous, damage your snow thrower and void your warranty.