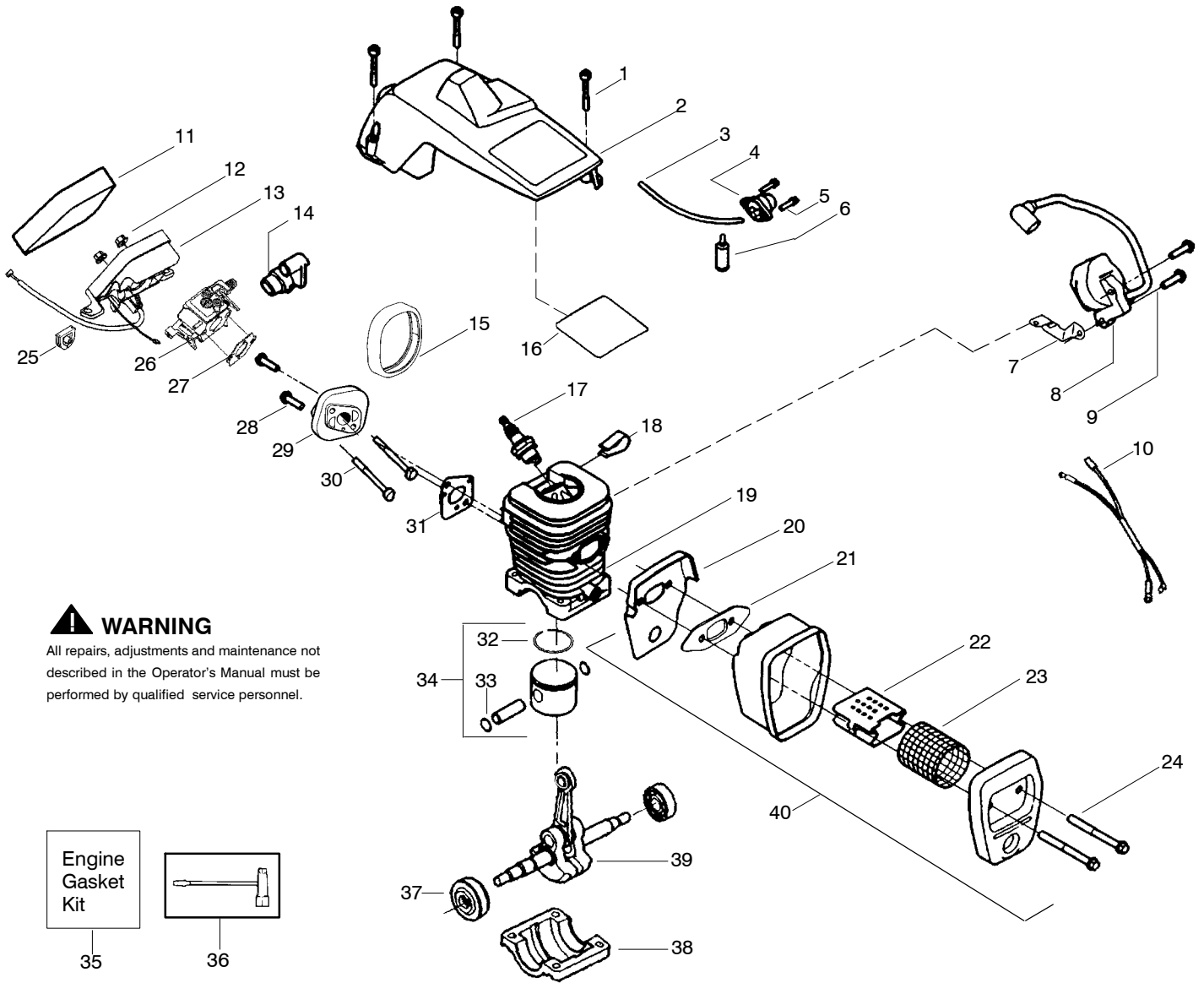


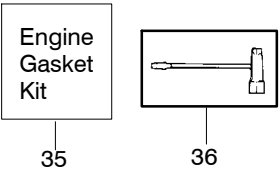
Ref.	Part No.	Description	Ref.	Part No.	Description	Ref.	Part No.	Description
1.	530059667	Assy.-Isolator	28.	530056402	Handle-Starter	53.	530058730	Assy.-Chassis fuel lines and caps )
2.	530047608	Limiter Strap	29.	530027531	Spring-Recoil	54.	530015907	Washer-Thrust
3.	530059668	Spring-Isolator	30.	530015920	Screw	55.	530047061	Assy.-Clutch Drum w/bearing
4.	530015158	Washer	31.	530015127	Washer-Flywheel	56.	530015611	Washer-Clutch
5.	530016018	Screw	32.	530039187	Assy-Flywheel	57.	530014949	Assy. Clutch
6.	530015843	Screw	33.	530047192	Assy-Fuel Cap w/ret.	58.	530071259	Kit - Oil Pump (incl. 59,60,62)
7.	530047583	Front Handle	34.	530023877	Fitting-fuel line	59.	530037820	Gear-Worm Spring
8.	530015940	Screw	35.	530069216	Kit-Fuel line (large)	60.	530049477	Elbow-Oil Pickup
9.	530015814	Screw	36.	530016149	Spring-Switch	61.	530016064	Screw
10.	530044897	Bar - 16"	37.	530015775	Screw	62.	530019206	Seal Block
11.	538248288	Chain - 16"	38.	530047581	Cover-Rear Handle	63.	530047663	Assy-Oil Pick-up (Incl. 64,65)
12.	530014381	Kit-Spike (Incl. 13)	39.	530015886	Screw	64.	530038373	Pick-up Oiler
13.	530016439	Screw	40.	530015906	Screw	65.	530056533	Filter-Oil
14.	530016132	Screw	41.	530036098	Throttle Lockout	66.	530071896	Kit-Chain Brake Adjuster (Incl. knob)
15.	530038238	Plate-Bar Mount.	42.	530036097	Trigger-Throttle			
16.	530015814	Screw	43.	530047582	Handle - Rear			
17.	530029850	Chain Catcher	44.	★★★★★	Screw			
18.	530016133	Bolt-Bar	45.	★★★★★	Assy Isolator-lower			
19.	530057236	Assy-Oil Cap w/ret.	46.	530071958	Kit-Isolator (Upper)			
20.	530071666	Kit-Oil Vent	47.	530015875	Screw			
21.	530016134	Nut-Flywheel	48.	530059668	Spring-Isolator			
22.	530016080	Screw	49.	530057473	Lever-Switch			
23.	530037817	Starter Pulley	50.	530057474	Lever-Choke			
24.	530055723	Baffle-Air	51.	530049005	Grommet-Knob			
25.	530015892	Screw	52.	530015922	Nut-"U"-Type			
26.	530059852	Housing-Fan						
27.	530069232	Kit - Rope						

★ = NEW PART NUMBER FOR THIS IPL

★ = REFER TO THE SERVICE REFERENCE INDICATED FOR MORE INFORMATION. (LOCATED AT END OF IPL)



**WARNING**  
All repairs, adjustments and maintenance not described in the Operator's Manual must be performed by qualified service personnel.



Ref.	Part No.	Description	Ref.	Part No.	Description	Ref.	Part No.	Description
1.	530016153	Screw	19.	530012550	Cylinder	35.	530069608	Kit—Engine Gasket (Incl. 21, 27 & 31)
2.	530056914	Assy—Cylinder Shield (includes # 16)	20.	530049870	Backplate—Muffler	36.	530031135	Scrench
3.	530069247	Kit—Fuel Line (Small)	21.	530069608	Gasket—Muffler(kit)	37.	530056363	Assy—Seal & Bearing
4.	530071835	Kit—Air Purge (Incl. #5)	22.	530037813	Diffuser—Muffler	38.	530037935	Cap—Crankcase
5.	530015780	Screw	23.	530036103	Screen—Spark	39.	530047062	Assy—Crankshaft
6.	530095646	Assy—Fuel Pick-up	24.	530016132	Bolt—Muffler	40.	530047207	Assy—Muffler (Incl. 20–24)
7.	530047442	Strap—Ground	25.	530047631	Grommet—Throttle Cable			
8.	530039198	Ignition Module	26.	---	Kit—Carburetor			
9.	530015814	Screw		530071820	Zama (W–20)			
10.	530057475	Assy—Wire Harness		530071821	Walbro (WT–662)			Not Shown
11.	530037793	Foam—Air Filter	27.	530069608	Gasket—Carb. (kit)			---
12.	530016101	Nut	28.	530016386	Screw			530164923
13.	530057702	Assy—Air Box	29.	530049700	Carb. Adapter			530164924
14.	530035526	Grommet—Carb Adjust	30.	530016187	Screw			530164925
15.	530054144	Seal—Carb Adapter	31.	530069608	Gasket—Adaptor(kit)			530165193
16.	530055698	Reflector—Heat	32.	530038729	Ring—Piston			530165194
17.	952030150	Spark Plug (RCJ–7Y)	33.	530015697	Retainer—Piston Pin			530165195
18.	530016136	Clip—High Tension Lead	34.	530071408	Kit—Piston (Incl. 32,33)			530165196
								✓ 530165312
								(Russian)

✓ = NEW PART NUMBER FOR THIS IPL      \* = REFER TO THE SERVICE REFERENCE INDICATED FOR MORE INFORMATION. (LOCATED AT END OF IPL)

PARTS LIST NO. <b>530165044</b>		 <b>McCULLOCH.® PARTS LIST</b>	CHAIN SAW MODEL(s) <b>Titanium 420</b>
DATE <b>12/10/04</b>	Replaces 530165044 - 08/27/04		<b>Note:</b> Illustration may differ from actual model due to design changes

★★★★★ **Service Reference** ★★★★★

Note: Due to product improvements, your unit may have been built with or without the spring and screw shown below. If your unit does not have this spring and screw, no action is required. If your unit does have the spring and screw, please order the part numbers listed below.

