

FIGURE 1

1	241624	1	13	241630	1	C 25	302138	1	38	235806	M5x20	2	B 50	241598	1		
2	225037	1	14	241597	2	27	● 235433	1	39	235642		1	51	236933	M6x18	2	
C 3	241596	1	C 15	241596	1	28	● 235922	1	40	235163		1	52	323419		2	
4	235804	M5x30	16	241607	1	29	236322	1	41	241644		1	53	323758		1	
5	241628	1	17	222372	1	30	235048	2	C 42	241590		1	54	235248		1	
6	241627	1	18	241604	1	31	218644	2	43	240131	M5x20	1	C 55	301833-01		1	
C 7	● 323930	1	B 19	301083-01	1	32	241651	1	44	111057		2	56	322231		1	
8	235897	2	20	● 217293	2	B 33	241652	1	B 45	241643		1	57	235642		2	
C 9	102164	1	A 21	● 225040-01	2	34	111058	2	46	236381	M5x10	1	C 58	301317-01		1	
10	241595	1	22	● 215536	1	35	241647	1	A 47	92879		1	B 59	● 241593		2	
11	228956	M4x10	23	241638	1	C 36	FIGURE 3		48	224165		1	60	● 241591		1	
12	228139	1	24	227568	M4x20	2	A 37	241600	1	C 49	302000		1	61	● 241592		2

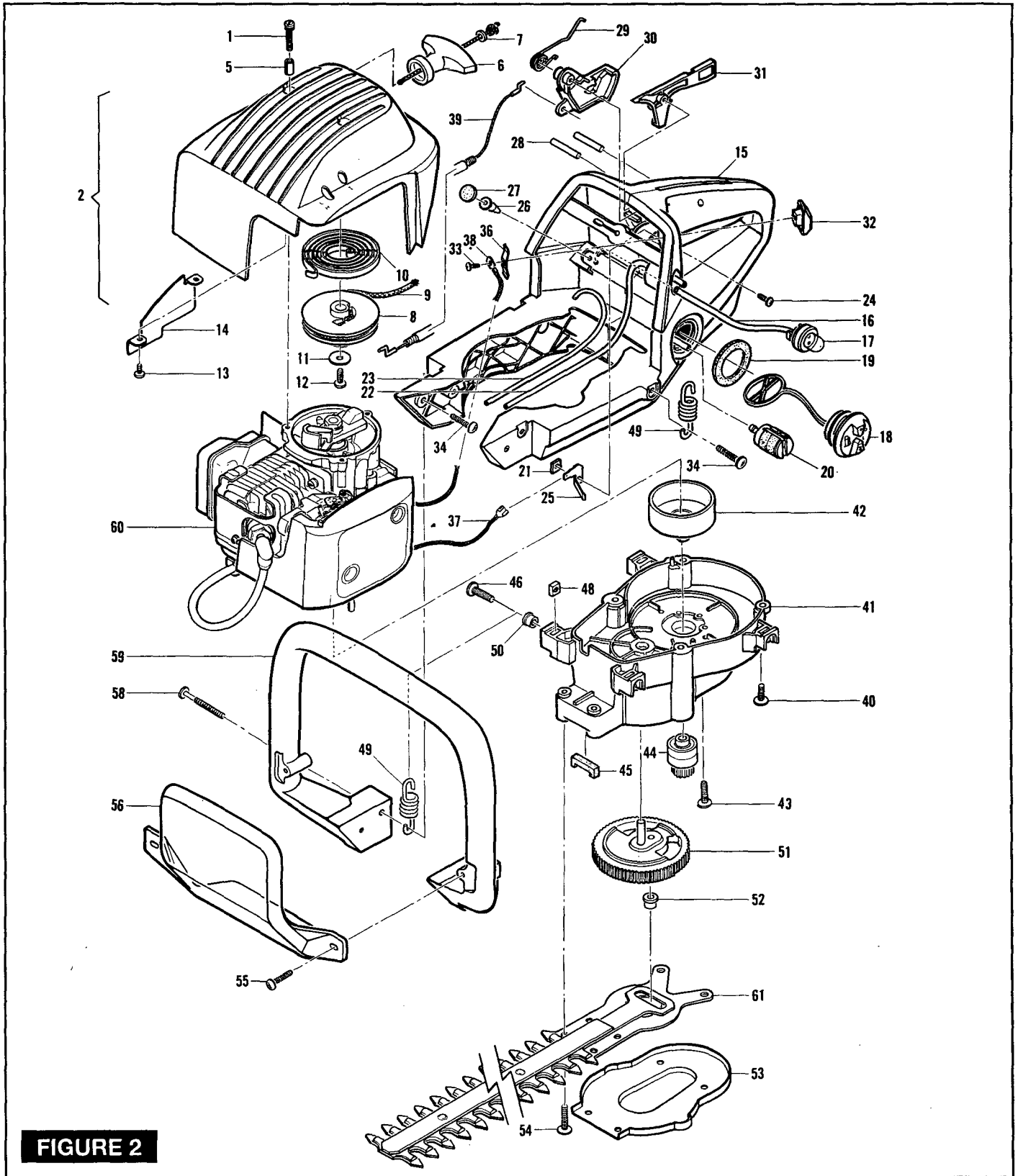


FIGURE 2

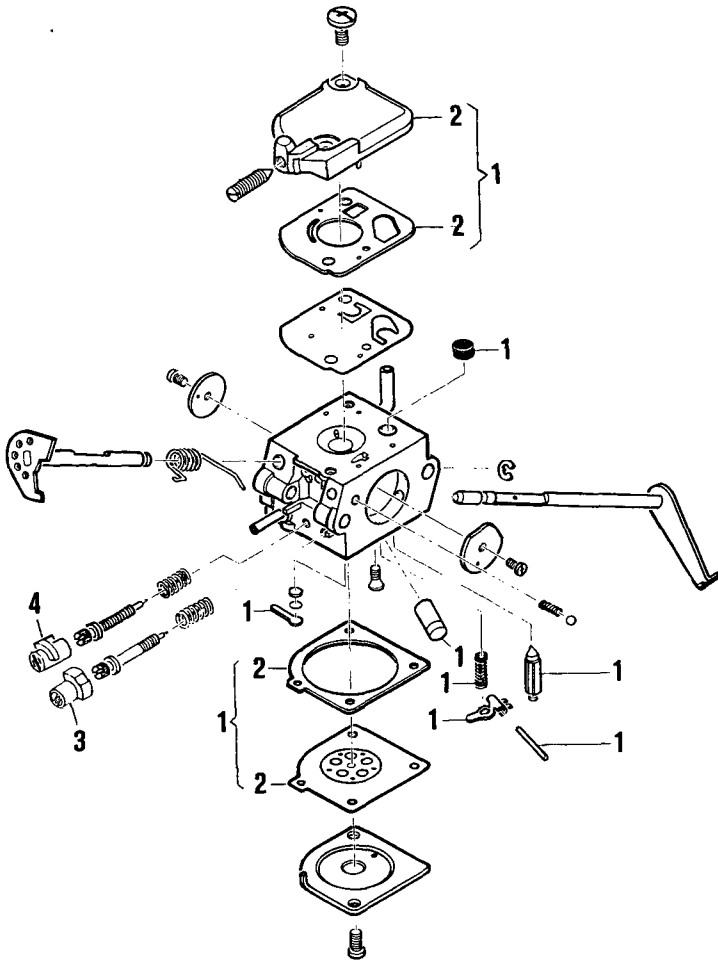
1	228957	M4x25	3	C 15	302041	1	C 27	● 225021	1	40	111119	4	53	225014	1
2	241648		1	B 16	● 301281	1	28	● 218491	2	41	241631	1	54	111117	6
5	● 241617		3	C 17	● 224242-02	1	29	● 241637	1	C 42	● 225006-02	1	55	111117	2
6	● 216792		1	B 18	● 301766	1	C 30	● 241635	1	43	● 218644	2	56	241654	1
7	● 235612		1	C 19	● 322742	1	C 31	● 241636	1	44	● 225007-01	1	58	219883	2
B 8	● 241620		1	A 20	● 93720	1	C 32	224245	1	45	● 241633	1	59	241641	1
A 9	● 235308		1	21	● 111126	1	33	111069	1	46	● 217936	4	60	FIGURE 1	
B 10	● 241619		1	B 22	● 225012	1	34	219883	2	48	● 218005	4	C 61	241655	MH 542P 1
11	● 241703		1	B 23	● 225011	1	36	62451	1	C 49	● 241634	1	C	241656	MH 555P 1
12	● 300294		1	24	● 111118	1	37	241630	1	50	● 322740	4			
13	● 111069		2	25	● 322741	1	38	241638	1	C 51	241653	1			
14	● 322840		1	C 26	● 322199	1	C 39	241642	1	B 52	225013	1			

A = high moving - alta rotazione - haute demande - große Nachfrage

B = medium moving - media rotazione - moyenne demande - mittelmäßige Nachfrage

C = slow moving - bassa rotazione - basse demande - wenige Nachfrage

ZAMA M32-B



C	-	241646	carbur.
B	1	• 300465	1
A	2	•• 300473	1
	3	• 323603 H	1
	4	• 323604 L	1

FIGURE 3

A = high moving - alta rotazione - haute demande - große Nachfrage
 B = medium moving - media rotazione - moyenne demande - mittelmäßige Nachfrage
 C = slow moving - bassa rotazione - basse demande - wenige Nachfrage