

McCULLOCH®

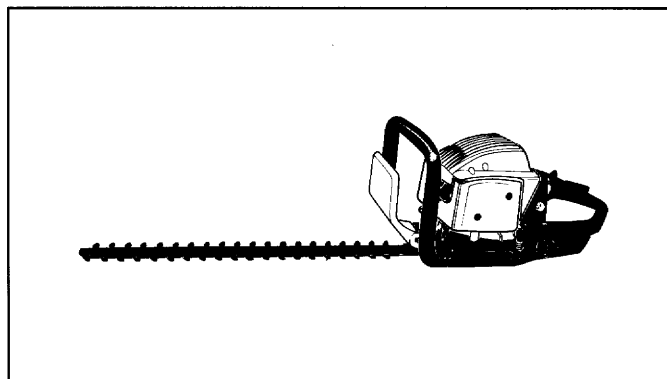
PARTNER

ILLUSTRATED PARTS LIST

VIRGINIA MH 542P
VIRGINIA MH 555P
PARTNER HG17 - HG22

SERIAL NUMBER PREFIX 01-02

CE



March 2000

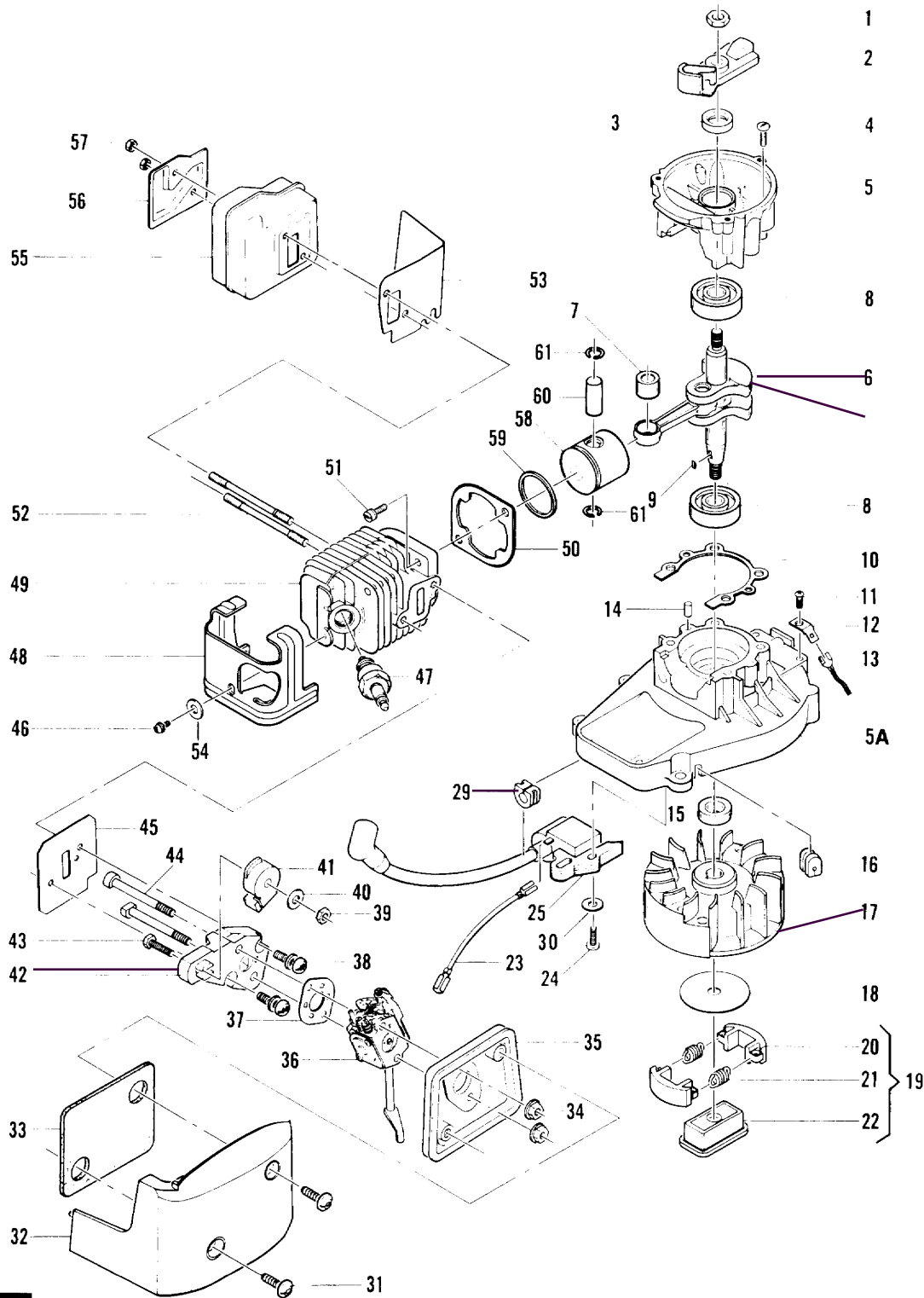


FIGURE 1

1	241624	1	11	228956 M4x10	1	23	241630	1	38	235806 M5x20	2	51	236933 M6x18	2
2	241784	1	12	228139	1	24	235806 M5x20	2	39	235642	1	52	241804	2
C 3	241596	1	13	241638	1	C 25	241749	1	40	235163	1	53	323758	1
4	235804 M5x30	4	14	241597	2	29	236322	1	41	241644	1	54	235248	1
5	241748	1	C 15	241596	1	30	235248	2	C 42	241590	1	C 55	301833-01	1
5A	241720	1	16	241607	1	31	218644	2	43	240131 M5x20	1	56	322231	1
6	241627 Prefix 01	1	17	222372 Prefix 01	1	32	241652 gold/oro/gold	1	44	111057	2	57	235642	2
	241806 Prefix 02	1	241796 Prefix 02	1	B 33	241652	1	B 45	241643	1	C 58	301317-01	1	
C 7	● 323930	1	18	241604	1	34	111058	2	46	236381 M5x10	1	B 59	● 241593	2
8	241594	2	B 19	241792	1	35	241647	1	A 47	92879	1	60	● 241591	1
C 9	102164 Prefix 01	1	20	● 241790	2	C 36	FIGURE 3		48	224165	1	61	● 241592	2
C	227631 Prefix 02	1	A 21	● 241794	2	A 37	241600	1	C 49	302000	1			
10	241595	1	22	● 241789	1				B 50	241598	1			

A = high moving - alta rotazione - haute demande - große Nachfrage

B = medium moving - media rotazione - moyenne demande - mittelmäßige Nachfrage

C = slow moving - bassa rotazione - basse demande - wenige Nachfrage

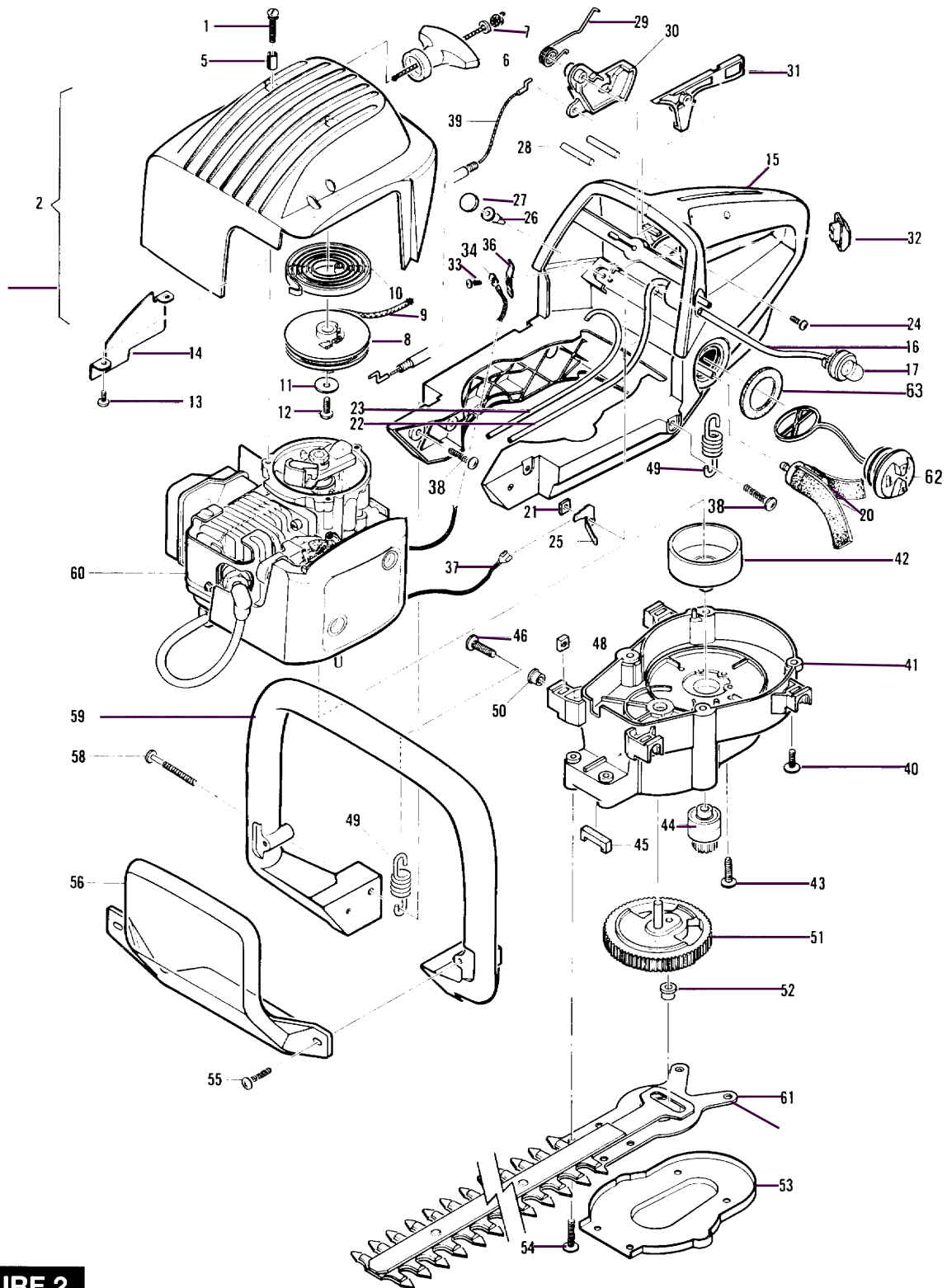


FIGURE 2

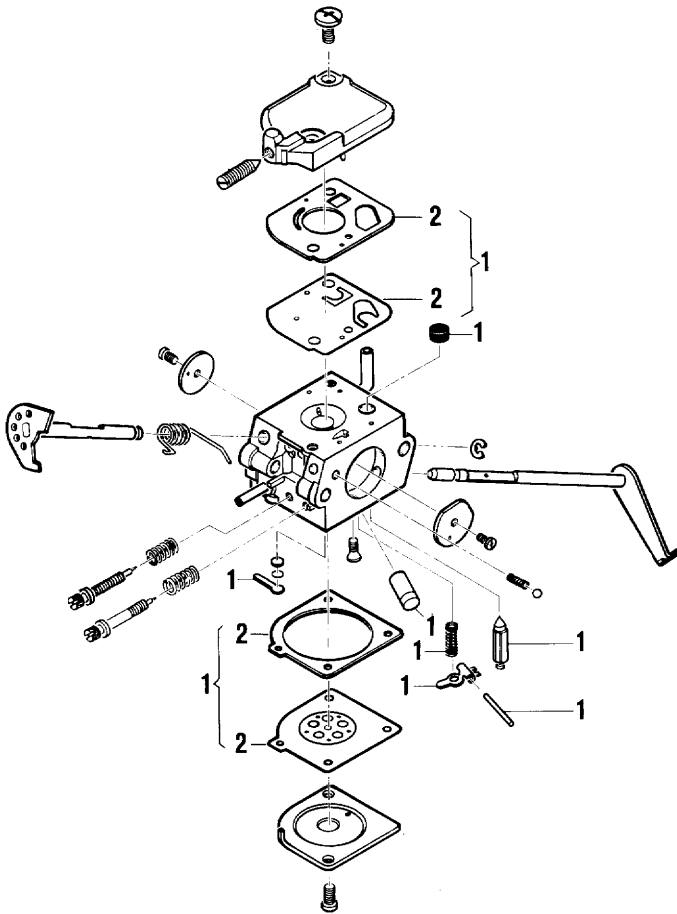
1	228957 M4x25	3	14	● 241758	1	28	● 241762	2	41	241631	1	54	111117	6
2	241648 silber/gold/sure/gelb	1	C 15	241768	1	29	● 241637	1	C 42	● 225006-02	1	55	111117	2
	241858 gold/cra/oro/gold	1	B 16	● 241777	1	C 30	● 241635	1	43	● 218644	2	56	241654	1
5	● 241617	3	C 17	● 224242-01	1	C 31	● 241636	1	44	● 225007-01	1	58	219883	2
6	● 216792	1	A 20	● 240452	1	C 32	● 224245	1	45	● 241633	1	59	241641	1
7	● 235612	1	21	● 111126	1	33	● 111069	1	46	● 217936	4	60	FIGURE 1	
B 8	● 241620	1	B 22	● 241776	1	34	● 241638	1	48	● 218005	4	C 61	241655 MH542P-HG17	1
A 9	● 241746	1	B 23	● 241775	1	36	● 62451	1	C 49	● 241634	1	C	241656 MH555P-HG22	1
B 10	● 241619	1	24	● 111118	1	37	241630	1	50	● 322740	4	B 62	301766	1
11	● 241703	1	25	● 322741	1	38	111117	2	C 51	241653	1	C 63	● 322742	1
12	● 300294	1	C 26	● 322199	1	C 39	241642	1	B 52	225013	1			
13	● 111069	2	C 27	● 241717	1	40	111119	4	53	225014	1			

A = high moving - alta rotazione - haute demande - große Nachfrage

B = medium moving - media rotazione - moyenne demande - mittelmäßige Nachfrage

C = slow moving - bassa rotazione - basse demande - wenige Nachfrage

ZAMA M32-B



C	-	241646	carbur.
B	1	• 300465	1
A	2	•• 300473	1

FIGURE 3

A = high moving - alta rotazione - haute demande - große Nachfrage
 B = medium moving - media rotazione - moyenne demande - mittelmäßige Nachfrage
 C = slow moving - bassa rotazione - basse demande - wenige Nachfrage