

MAC 835S-AV
22600035-27

MAC 836S-AV
22600035-24

MAC 838S-AV
22600038-36

MAC CAT 839-14
22600038-53

MAC CAT 839-16
22600038-32

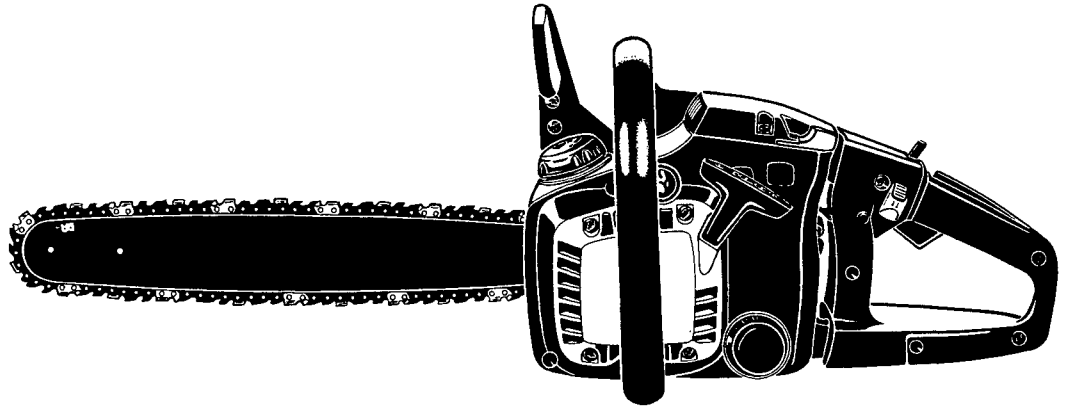
MAC CAT 839-18
22600038-33

EUROMAC S 34P
22600035-40

EUROMAC S 38P
22600038-43

EUROMAC S 39P
22600038-42

PN 211883



SEPTEMBER 1998

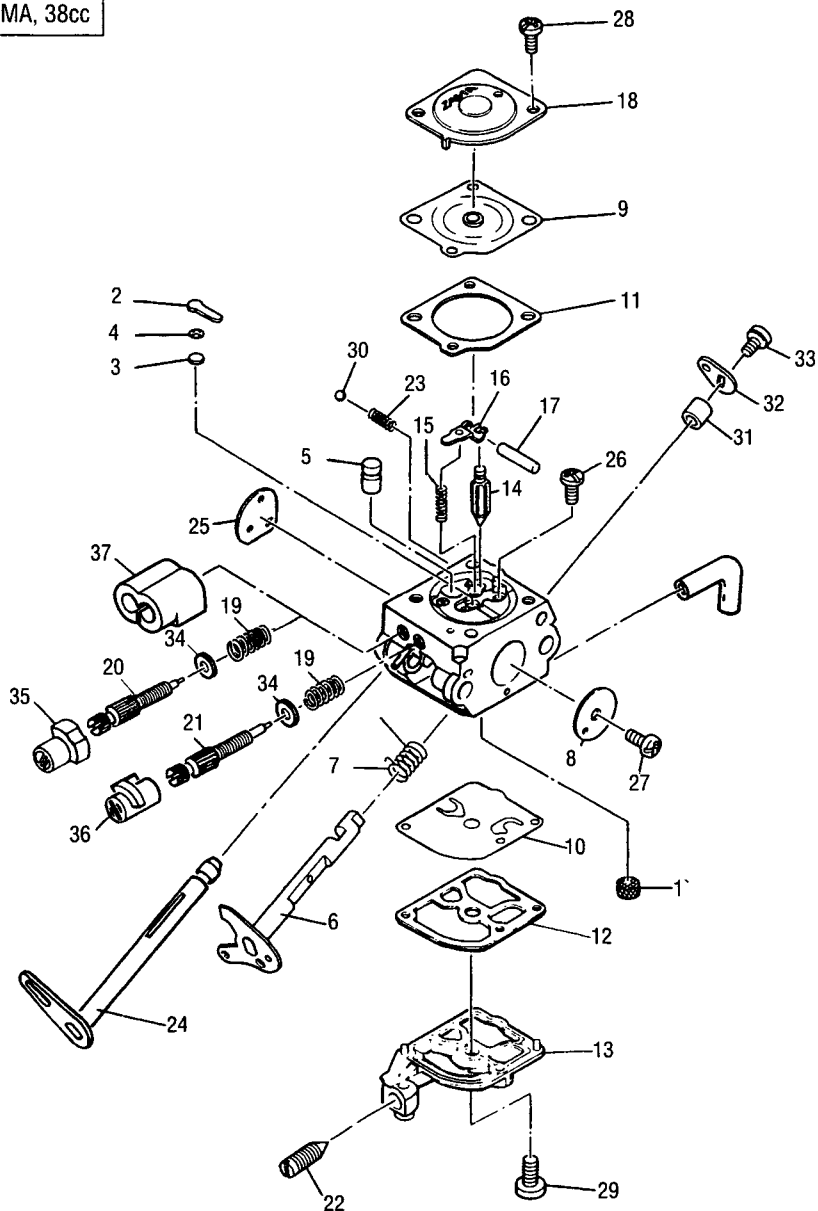
McCULLOCH®

© 1998 McCulloch Corporation, P.O. Box 11990, Tucson, AZ 85734-1990

C 324947-01 CARB. 2-STG, ZAMA, 38cc

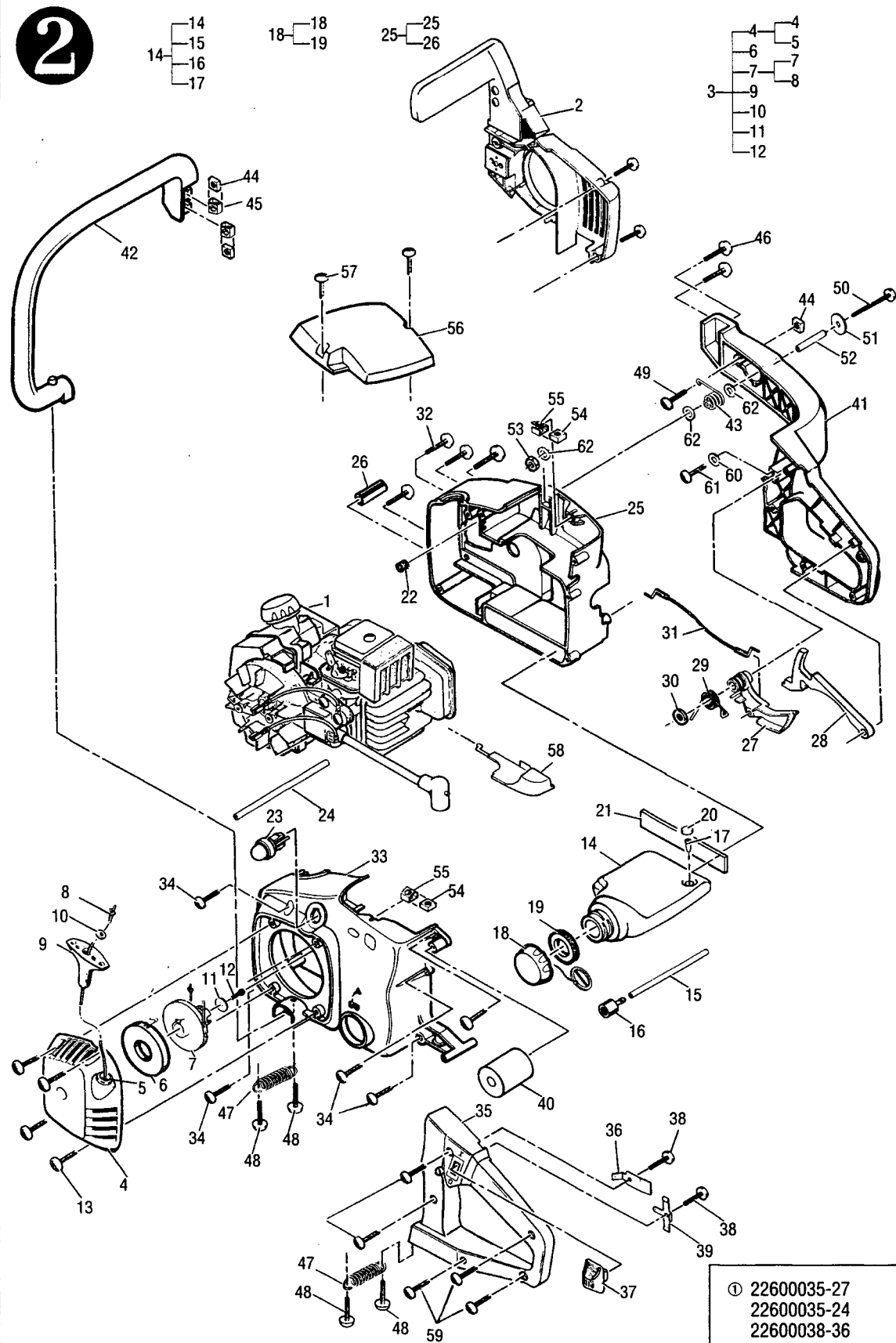
1	①	---	1
2	①	---	1
3	---	---	1
4	---	---	1
5	---	---	1
6	---	---	1
7	---	---	1
8	---	---	1
9	①②	---	1
10	①②	---	1
11	①②	---	1
12	①②	---	1
13	---	---	1
14	①	---	1
15	①	---	1
16	①	---	1
17	①	---	1
18	---	---	1
19	---	---	2
20	---	---	1
21	---	---	1
22	---	---	1
23	---	---	1
24	---	---	1
25	---	---	1
26	---	---	1
27	---	---	1
28	---	---	2
29	---	---	1
30	---	---	1
31	---	---	1
32	---	---	1
33	---	---	1
34	---	---	2
35	111216	---	1
36	111217	---	1
37	---	---	1

B ① 301041 (RB-39)
A ② 324009 (GND-35)



A = high moving - alta rotazione - haute demande - große Nachfrage B = medium moving - media rotazione - moyenne demande - mittelmäßige Nachfrage C = slow moving - bassa rotazione - basse demande - wenige Nachfrage

2

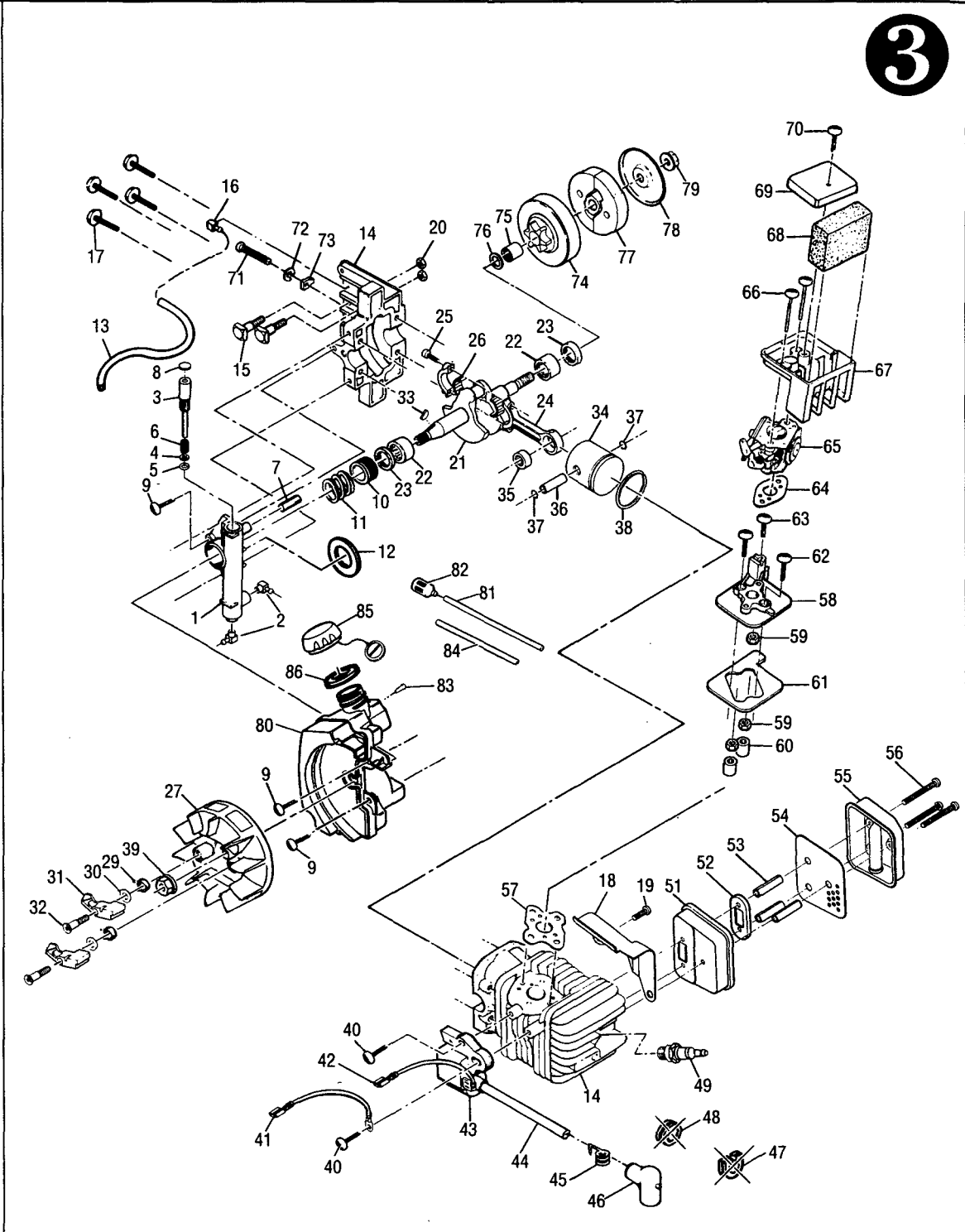


1	③	1
C 2	④	1
C 3	① 300264	1
C	② 300858	1
4	① . 301044	1
	② . 301651	1
5	.. ---	1
B 6	. 300475	1
B 7	. 301043	1
A 8	.. 300300	1
9	. 87851	1
10	. 223944	1
11	. 300297	1
12	. 300294	1
13	300294	4
14	300260	1
B 15	. 300289	1
A 16	. 225062	1
17	. 300256	1
B 18	300565	1
C 19	. 300269	1
20	300259	1
21	322195	1
22	300259	1
C 23	224242-02	1
B 24	300298	1
25	301056	1
26	. 111098	1
C 27	224821	1
C 28	224822	1
C 29	224823	1
30	111128	1
C 31	322409	1
32	111226	4
33	323947-61	1
34	300294	5
C 35	322164	1
36	322178	1
37	68846	1
38	223357	2
39	224844	1
C 40	300287	1
C 41	322163	1
C 42	322162-01	1
C 43	322165	1
44	218005	3
45	300292	2
46	111226	2
C 47	322166	2
48	300294	2
49	217935	1
50	218083	1
51	322176	1
52	322175	1
53	111135	1
54	218005	2
55	300292	2
56	224830	1
57	111099	2
C 58	224826	1
59	300294	5
60	300297	1
61	300294	1
62	93469	3

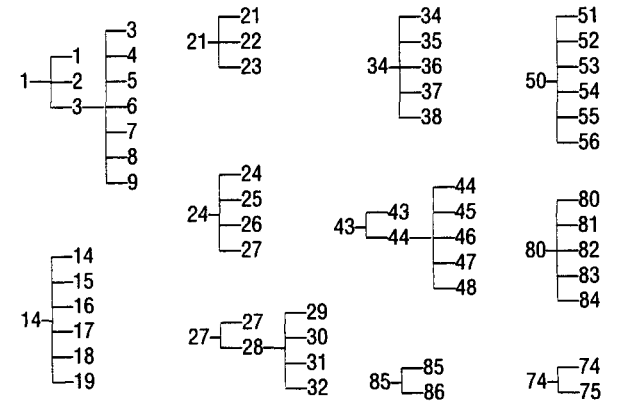
- ① 22600035-27
- 22600035-24
- 22600038-36
- 22600038-53
- 22600038-32
- 22600038-33
- ② 22600035-40
- 22600038-43
- 22600038-42

A = high moving - alta rotazione - haute demande - große Nachfrage B = medium moving - media rotazione - moyenne demande - mittelmäßige Nachfrage C = slow moving - bassa rotazione - basse demande - wenige Nachfrage

B	1	301304	1
	2	.322182	2
C	3	.301084	1
	4	..110582	1
	5	..---	1
	6	..---	1
	7	..---	1
	8	..322187	1
	9	..111226	3
C	10	224814	1
	11	224840	1
	12	300295	1
	13	300288	1
C	14	301055	1
B	15	.83856-01	2
	16	.300257	1
	17	..111083	4
	18	.323923	1
	19	..111054	1
A	20	110676	2
	21	302140	1
C	22	.213282	2
B	23	.83859	2
	24	94135-01	1
	25	.94654	2
	26	.68095	1
	27	302220	1
C	28	.300763-01	2
C	29	..216982	2
C	30	..111131	2
C	31	..---	2
C	32	..322721	2
C	33	102164	1
C	34	301054-01	1
C	35	.323930	1
	36	.323943	1
	37	..111026	2
B	38	.301053	1
	39	216640	1
	40	217936	2
	41	300555	1
	42	300556	1
C	43	302138	1
	44	.223884	1
	45	..235433	1
	46	..235922	1
	47	③ ..110995	1
	48	③ ..215533-011	1
A	49	322208	1
	50	301402	1
	51	.300280	1
	52	.300281	1
	53	.322206	1
	54	.323081	1
	55	.322205	1
	56	.218083	3
B	57	300265	1
	58	224820	1
	59	218315	3
	60	322188	2
	61	224850	1
	62	110749	2
	63	217936	1
A	64	300293	1



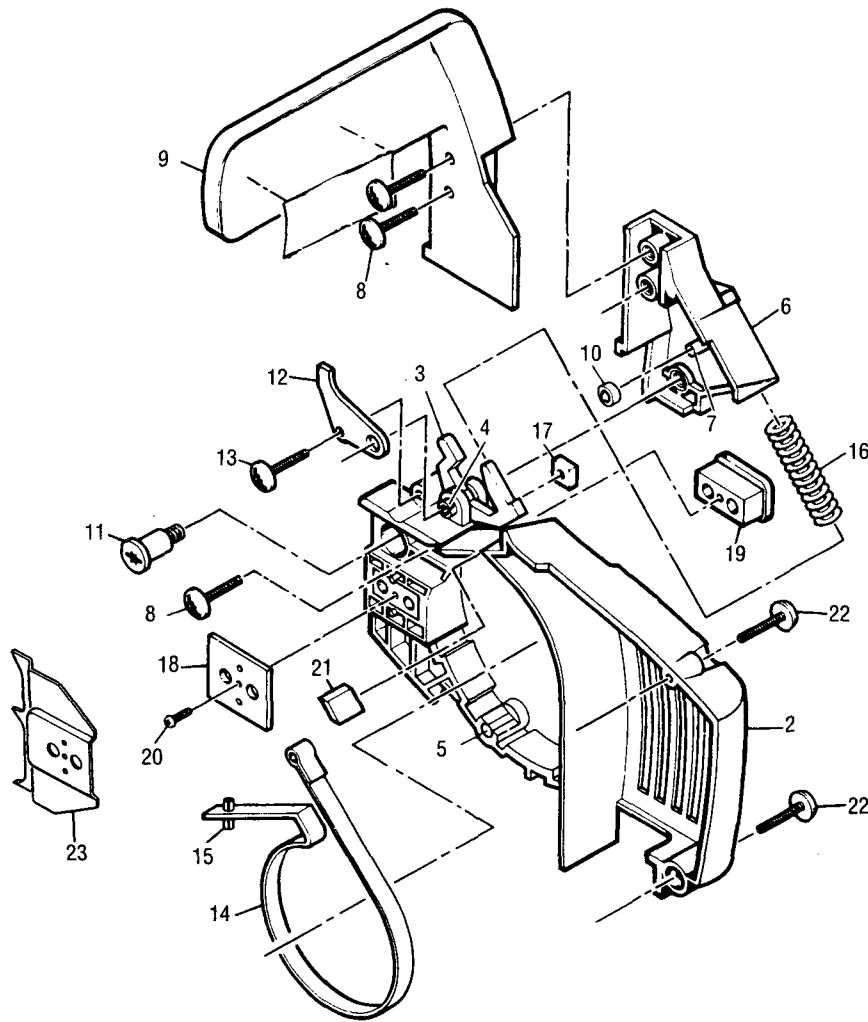
C	65	①	1
	66	218083	2
	67	224824	1
B	68	224831	1
	69	224825	1
	70	111055	1
A	71	223088	1
	72	110907	1
	73	68656	1
B	74	95646	1
	75	.91117	1
	76	215259	1
B	77	301463	1
	78	300276	1
	79	111079	1
	80	301834	1
	81	.300289	1
	82	.93720	1
	83	.322199	1
	84	.300290	1
B	85	300564	1
C	86	.300267	1



A = high moving - alta rotazione - haute demande - große Nachfrage B = medium moving - media rotazione - moyenne demande - mittelmäßige Nachfrage C = slow moving - bassa rotazione - basse demande - wenige Nachfrage

4

- 2
- 3
- 4
- 5
- 6
- 7
- 8
- 9
- 10
- 11
- 12
- 13
- 14
- 15
- 16
- 17
- 18
- 19
- 20
- 21
- 22



C 1	① 301558	1
C 1	② 301562	1
2	① 301464	1
2	② 301650	1
3	.. 216755	1
4	.. ---	1
5	.. ---	2
6	301038	1
7	.. ---	1
8	111226	3
C 9	323082	1
10	224849	1
11	224847	1
12	224848	1
13	300294	1
B 14	301037	1
15	.. ---	1
B 16	322204	1
17	218005	1
18	300275	1
19	300271	1
20	111101	1
21	322194	1
22	300299	2
C 23	322181	1

- ① 22600035-27
- 22600035-24
- 22600038-36
- 22600038-53
- 22600038-32
- 22600038-33
- ② 22600035-40
- 22600038-43
- 22600038-42

	X	N°m	
⑫ 12	300294	1 2.5-3.4	-
⑬ 13	300294	4 2.3-3.4	-
⑳ 32	111226	4 4.5-5.6	-
㉑ 34	300294	5 2.3-3.4	-
㉒ 46	111226	2 3.4-4.5	-
㉓ 49	217935	1 -	242
㉔ 50	218083	1 3.4-4.5	242
㉕ 53	111135	1 4.5-5.6	-
⑨ 9	111226	3 3.4-4.5	242
⑰ 17	111083	4 7.9-9.0	262
㉖ 20	110676	2 12.4	-
④ 40	110961	1 19.8-20.9	-
⑩ 41	217936	2 4.4-5.6	242
⑥ 50	322208	1 16.4-16.9	-
⑦ 57	218083	3 4.5-5.6	620
⑧ 59	300294	5 2.3-3.4	-
① 63	217937	2 4.5-5.6	242
⑤ 64	217936	1 2.3-3.4	-
③ 67	218083	2 3.4-4.5	242
② 71	111055	1 1.7-2.8	242
① 80	111079	1 19.8-20.9	-
① 11	224847	1 -	242
① 13	300294	1 2.8-4.0	-
① 20	111101	1 1.1-1.7	-

	PN 323330
	PN 323754 - T-10,15,20,25,27,30
	PN 236409
	PN 226148 - T-25
	PN 237105
	PN 111124 - T-27

	322235-02	620 (10ml)
	.. ---	242 (10ml)
	.. ---	518 (50ml)
	.. ---	380 (3ml)
	.. ---	262 (10ml)
	.. ---	767 (30ml)

A = high moving - alta rotazione - haute demande - große Nachfrage B = medium moving - media rotazione - moyenne demande - mittelmäßige Nachfrage C = slow moving - bassa rotazione - basse demande - wenige Nachfrage