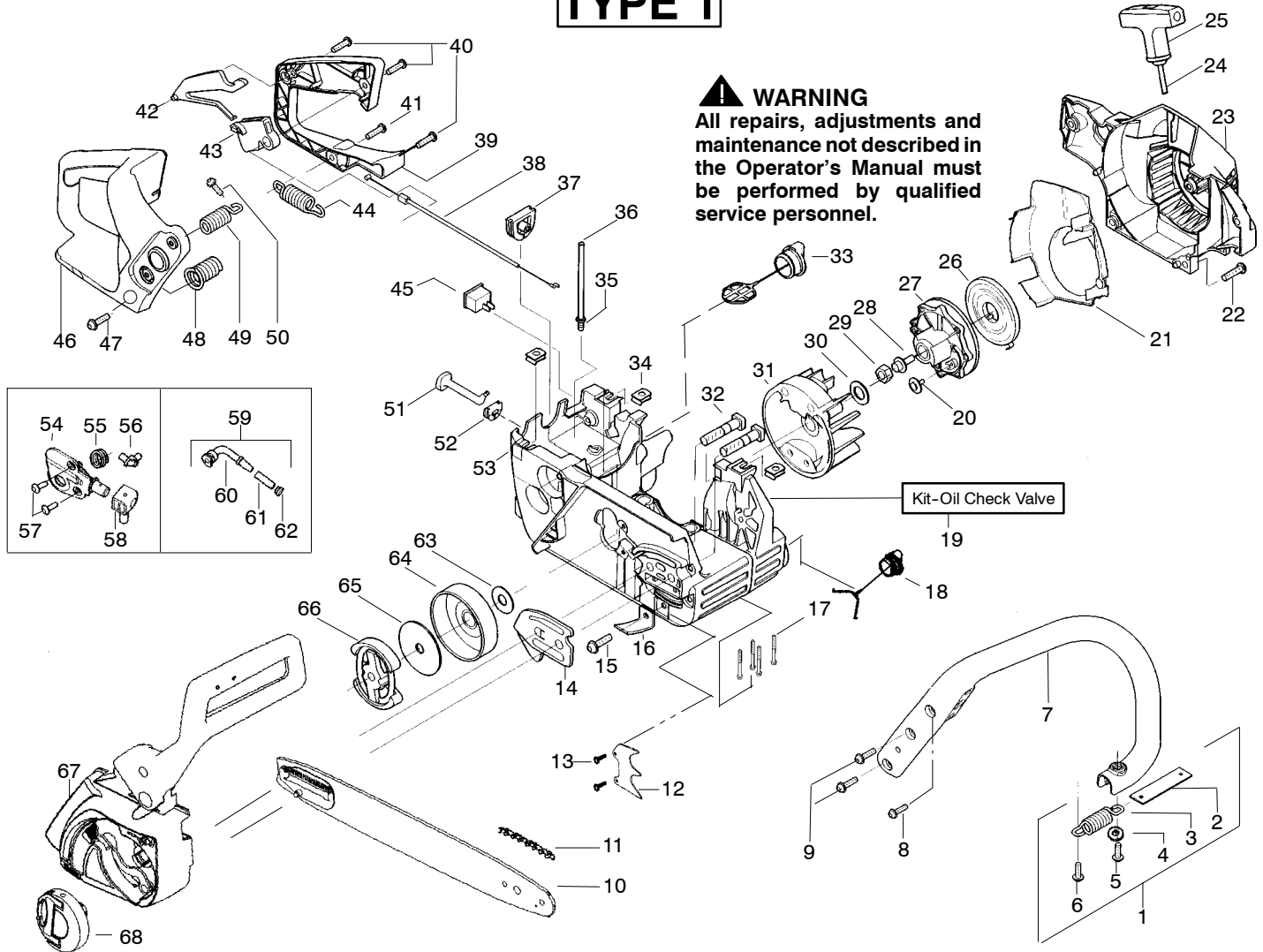


TYPE 1

⚠ WARNING
All repairs, adjustments and maintenance not described in the Operator's Manual must be performed by qualified service personnel.

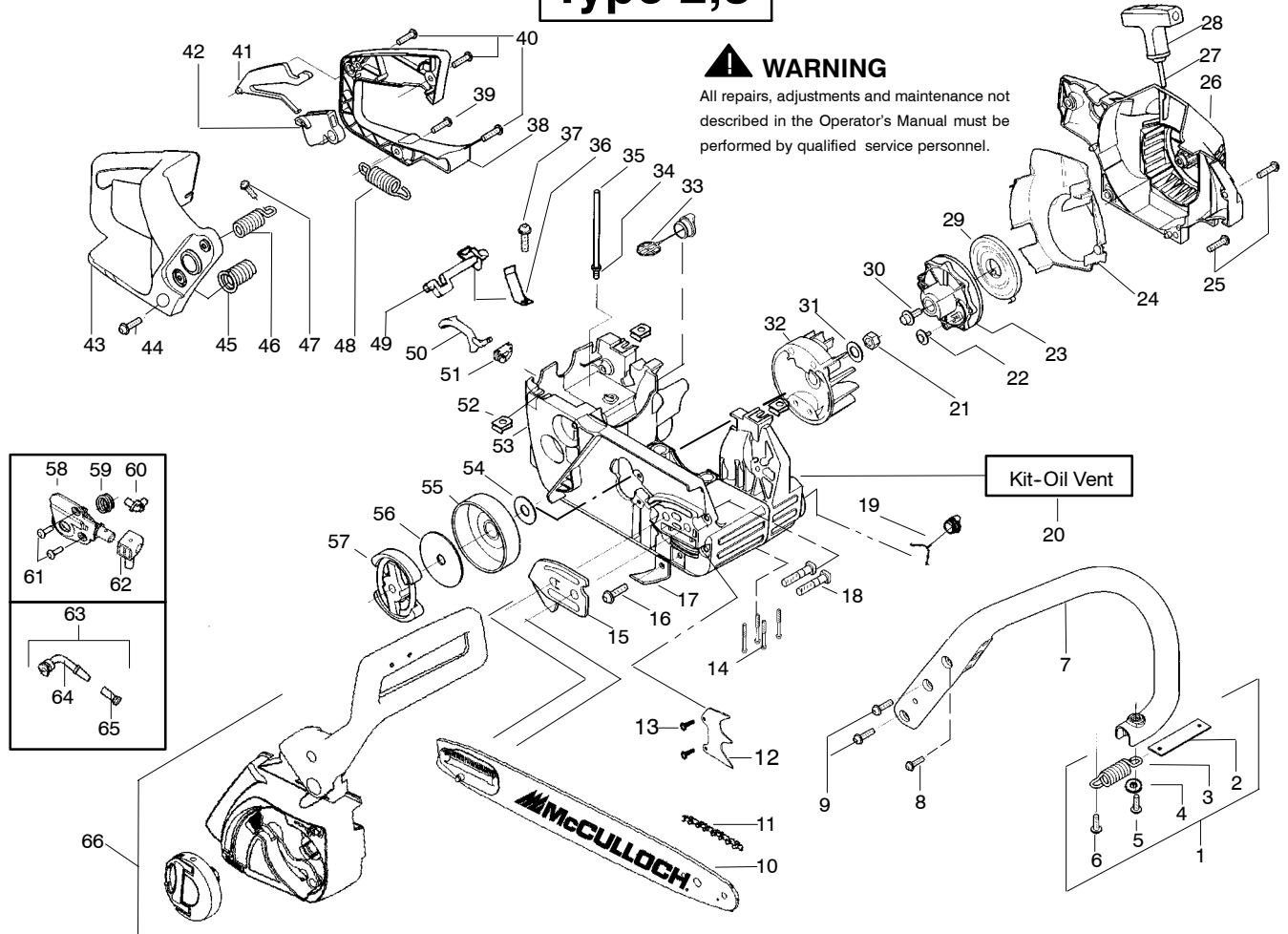


| Ref. | Part No. | Description | Ref. | Part No. | Description | Ref. | Part No. | Description |
|------|-----------|-----------------------------|------|-----------|-------------------------|------|-----------|-------------------------------------|
| 1. | 530047963 | Assy. - Isolator | 25. | 530056402 | Handle - Starter | 51. | 530047605 | Knob - Choke |
| 2. | 530047608 | Strap - Limiter | 26. | 530027531 | Spring - Recoil | 52. | 530049005 | Grommet - Knob |
| 3. | 530042082 | Spring - Isolator | 27. | 530037817 | Pulley - Starter | 53. | 530056596 | Assy - Chassis |
| 4. | 530015123 | Washer | 28. | 530015920 | Screw | 54. | 530071259 | Kit - Oil Pump (Incls. 55,56,58) |
| 5. | 530016018 | Screw | 29. | 530016134 | Nut - Flywheel | 55. | 530037820 | Gear - Worm Spring |
| 6. | 530015843 | Screw | 30. | 530015127 | Washer - Flywheel | 56. | 530049477 | Elbow - Oil Pickup |
| 7. | 530047583 | Handle - Front | 31. | 530039209 | Assy - Flywheel | 57. | 530016064 | Screw |
| 8. | 530015940 | Screw | 32. | 530016133 | Bolt - Bar | 58. | 530019206 | Seal Block |
| 9. | 530015814 | Screw | 33. | 530047192 | Assy - Fuel Cap | 59. | 530047663 | Assy - Oil Pickup (Incl. 60-62) |
| 10. | 530044897 | Bar - 16" | 34. | 530015922 | Nut - "U" - Type | 60. | 530038373 | Pick-up Oiler |
| 11. | 538248288 | Chain - 16" | 35. | 530023877 | Fitting - fuel line | 61. | 530037821 | Filter - Oil |
| 12. | 530014381 | Kit - Assy Spike (incl. 13) | 36. | 530069216 | Kit - Fuel line (large) | 62. | 530030189 | Plug - Oil Filter |
| 13. | 530015805 | Screw | 37. | 530047631 | Grommet - Cable | 63. | 530015907 | Washer - Thrust |
| 14. | 530038238 | Plate - Bar Mounting | 38. | 530047602 | Cable - Throttle | 64. | 530047061 | Assy - Clutch Drum w/bearing |
| 15. | 530015814 | Screw | 39. | 530047581 | Cover - Rear Handle | 65. | 530015611 | Washer - Clutch |
| 16. | 530029850 | Chain Catcher | 40. | 530015906 | Screw | 66. | 530014949 | Assy. Clutch |
| 17. | 530016132 | Screw | 41. | 530015886 | Screw | 67. | 530056923 | Assy - Chain Brake |
| 18. | 530010846 | Assy - Oil Cap | 42. | 530036098 | Lockout - Throttle | 68. | 530056935 | Assy - Knob |
| 19. | 530071666 | Kit - Oil Check Valve | 43. | 530036097 | Trigger - Throttle | | | |
| 20. | 530016080 | Screw | 44. | 530042082 | Spring | | | |
| 21. | 530055723 | Baffle - Air | 45. | 530069572 | Kit - Switch | | | |
| 22. | 530015892 | Screw | 46. | 530047582 | Handle - Rear | | | |
| 23. | 530056333 | Housing - Fan | 47. | 530015814 | Screw | | | |
| 24. | 530069232 | Kit - Rope | 48. | 530053274 | Assy. Isolator - lower | | | |
| | | | 49. | 530071385 | Kit - Isolator (Upper) | | | |
| | | | 50. | 530015875 | Screw | | | |

✓ = NEW PART NUMBER FOR THIS IPL

* = REFER TO THE SERVICE REFERENCE INDICATED FOR MORE INFORMATION. (LOCATED AT END OF IPL)

Type 2,3

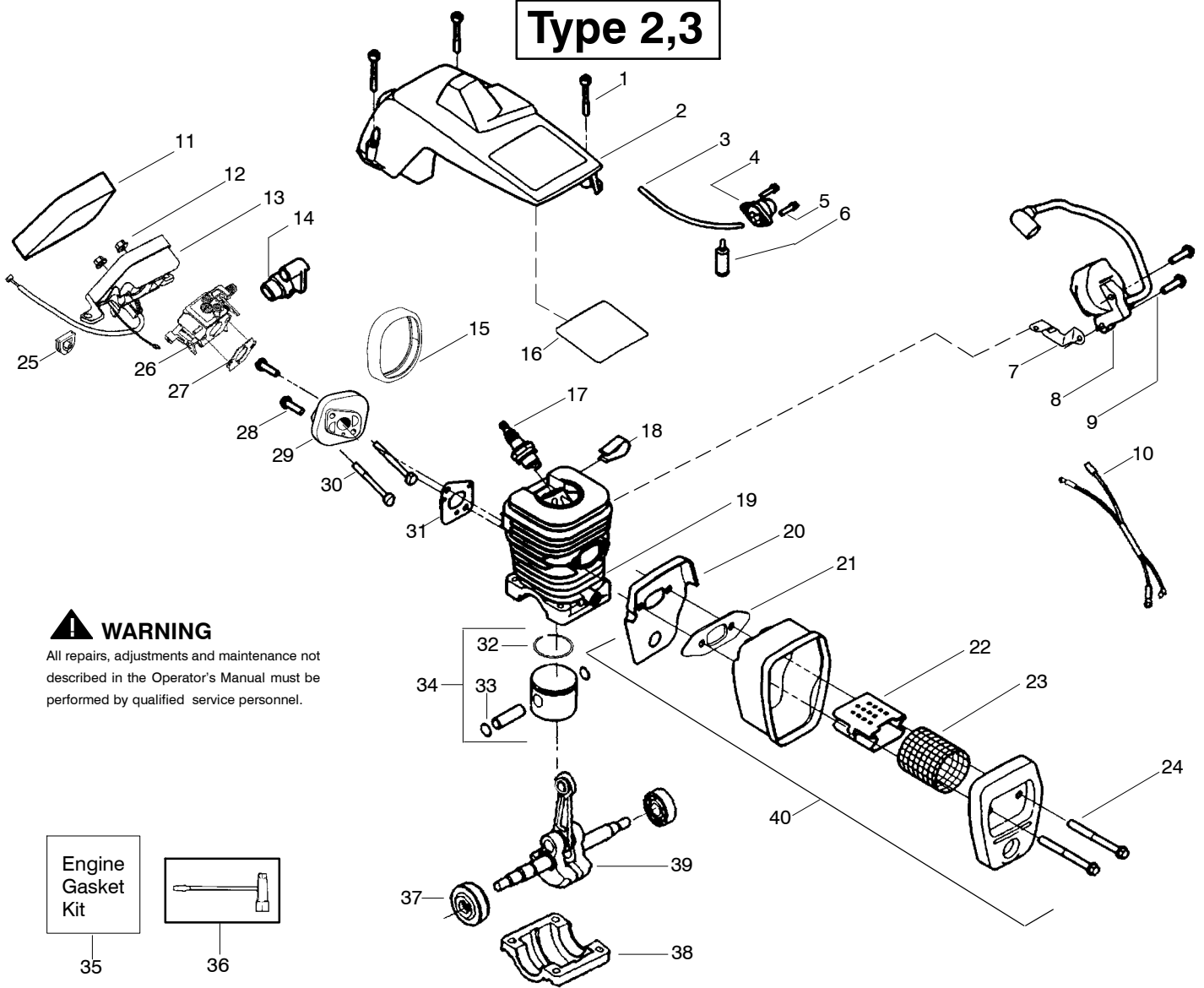


| Ref. | Part No. | Description | Ref. | Part No. | Description | Ref. | Part No. | Description |
|------|-----------|----------------------|------|-----------|-----------------------|------|-----------|---|
| 1. | 530047963 | Assy.-Isolator | 28. | 530056402 | Handle-Starter | 53. | 530058733 | Kit-Chassis Assy. fuel lines and caps) |
| 2. | 530047608 | Limiter Strap | 29. | 530027531 | Spring-Recoil | 54. | 530015907 | Washer-Thrust |
| 3. | 530042082 | Spring-Isolator | 30. | 530015920 | Screw | 55. | 530047061 | Assy.-Clutch Drum w/bearing |
| 4. | 530015158 | Washer | 31. | 530015127 | Washer-Flywheel | 56. | 530015611 | Washer-Clutch |
| 5. | 530016018 | Screw | 32. | 530039187 | Assy-Flywheel | 57. | 530014949 | Assy. Clutch |
| 6. | 530015843 | Screw | 33. | 530047192 | Assy-Fuel Cap w/ret. | 58. | 530071259 | Kit - Oil Pump (incl. 59,60,62) |
| 7. | 530047583 | Front Handle | 34. | 530023877 | Fitting-fuel line | 59. | 530037820 | Gear-Worm Spring |
| 8. | 530015940 | Screw | 35. | 530069216 | Kit-Fuel line (large) | 60. | 530049477 | Elbow-Oil Pickup |
| 9. | 530015814 | Screw | 36. | 530016149 | Spring-Switch | 61. | 530016064 | Screw |
| 10. | 530044897 | Bar - 16" | 37. | 530015775 | Screw | 62. | 530019206 | Seal Block |
| 11. | 538248288 | Chain - 16" | 38. | 530047581 | Cover-Rear Handle | 63. | 530047663 | Assy-Oil Pick-up (Incl. 64,65) |
| 12. | 530014381 | Kit-Spike (Incl. 13) | 39. | 530015886 | Screw | 64. | 530038373 | Pick-up Oiler |
| 13. | 530016439 | Screw | 40. | 530015906 | Screw | 65. | 530056533 | Filter-Oil |
| 14. | 530016132 | Screw | 41. | 530036098 | Throttle Lockout | 66. | 530071897 | Kit-Chain Brake Adjuster (Incl. knob) |
| 15. | 530038238 | Plate-Bar Mount. | 42. | 530036097 | Trigger-Throttle | | | |
| 16. | 530015814 | Screw | 43. | 530047582 | Handle - Rear | | | |
| 17. | 530029850 | Chain Catcher | 44. | 530015814 | Screw | | | |
| 18. | 530016133 | Bolt-Bar | 45. | 530053274 | Assy Isolator-lower | | | |
| 19. | 530057236 | Assy-Oil Cap w/ret. | 46. | 530071385 | Kit-Isolator (Upper) | | | |
| 20. | 530071666 | Kit-Oil Vent | 47. | 530015875 | Screw | | | |
| 21. | 530016134 | Nut-Flywheel | 48. | 530042082 | Spring-Isolator | | | |
| 22. | 530016080 | Screw | 49. | 530057473 | Lever-Switch | | | |
| 23. | 530037817 | Starter Pulley | 50. | 530057474 | Lever-Choke | | | |
| 24. | 530055723 | Baffle-Air | 51. | 530049005 | Grommet-Knob | | | |
| 25. | 530015892 | Screw | 52. | 530015922 | Nut-"U"-Type | | | |
| 26. | 530056333 | Housing-Fan | | | | | | |
| 27. | 530069232 | Kit - Rope | | | | | | |

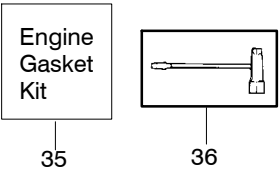
✚ = NEW PART NUMBER FOR THIS IPL

★ = REFER TO THE SERVICE REFERENCE INDICATED FOR MORE INFORMATION. (LOCATED AT END OF IPL)

Type 2,3



WARNING
All repairs, adjustments and maintenance not described in the Operator's Manual must be performed by qualified service personnel.



| Ref. | Part No. | Description | Ref. | Part No. | Description | Ref. | Part No. | Description |
|------|-----------|--------------------------------------|------|-----------|----------------------------|------|-----------|---------------------------------------|
| 1. | 530016153 | Screw | 19. | 530012550 | Cylinder | 35. | 530069608 | Kit-Engine Gasket (Incl. 21, 27 & 31) |
| 2. | 530056914 | Assy-Cylinder Shield (includes # 16) | 20. | 530049870 | Backplate-Muffler | 36. | 530031135 | Screench |
| 3. | 530069247 | Kit-Fuel Line (Small) | 21. | 530069608 | Gasket-Muffler(kit) | 37. | 530056363 | Assy-Seal & Bearing |
| 4. | 530071385 | Kit-Air Purge (Incl. #5) | 22. | 530037813 | Diffuser-Muffler | 38. | 530037935 | Cap-Crankcase |
| 5. | 530015780 | Screw | 23. | 530036103 | Screen-Spark | 39. | 530047062 | Assy-Crankshaft |
| 6. | 530095646 | Assy-Fuel Pick-up | 24. | 530016132 | Bolt-Muffler | 40. | 530047207 | Assy-Muffler (Incl. 20-24) |
| 7. | 530047442 | Strap-Ground | 25. | 530047631 | Grommet-Throttle Cable | | | Not Shown |
| 8. | 530039198 | Ignition Module | 26. | --- | Kit-Carburetor | | | --- |
| 9. | 530015814 | Screw | | 530071820 | Zama (W-20) | | | 530164617 |
| 10. | 530057475 | Assy-Wire Harness | | 530071821 | Walbro (WT-662) | | | 530164618 |
| 11. | 530037793 | Foam-Air Filter | 27. | 530069608 | Gasket-Carb. (kit) | | | 530164619 |
| 12. | 530016101 | Nut | 28. | 530016386 | Screw | | | 530165149 |
| 13. | 530057702 | Assy-Air Box | 29. | 530049700 | Carb. Adapter | | | 530165150 |
| 14. | 530035526 | Grommet-Carb Adjust | 30. | 530016187 | Screw | | | 530165151 |
| 15. | 530054144 | Seal-Carb Adapter | 31. | 530069608 | Gasket-Adaptor(kit) | | | 530165152 |
| 16. | 530055698 | Reflector-Heat | 32. | 530038729 | Ring-Piston | | | |
| 17. | 952030150 | Spark Plug (RCJ-7Y) | 33. | 530015697 | Retainer-Piston Pin | | | |
| 18. | 530016136 | Clip-High Tension Lead | 34. | 530071408 | Kit-Piston (Incl. 32 & 33) | | | |

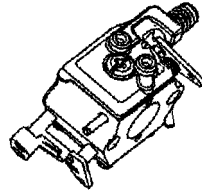
✓ = NEW PART NUMBER FOR THIS IPL * = REFER TO THE SERVICE REFERENCE INDICATED FOR MORE INFORMATION. (LOCATED AT END OF IPL)

| | | | |
|------------------------------------|----------------------------------|-------------------------------|--|
| PARTS LIST NO. 530163923 | | McCULLOCH.® PARTS LIST | CHAIN SAW MODEL(S) MAC CAT 442 |
| DATE 6/21/04 | Replaces 530163923 - 05/14/04 | | Note: Illustration may differ from actual model due to design changes |

Kit - Carburetor Assembly No. 530071621 - WT-625

Kit - Carburetor Assembly No. 530071820 - W-20

Kit - Carburetor Assembly No. 530071821 - WT-662



Note: No Repair kits are available for these carburetors