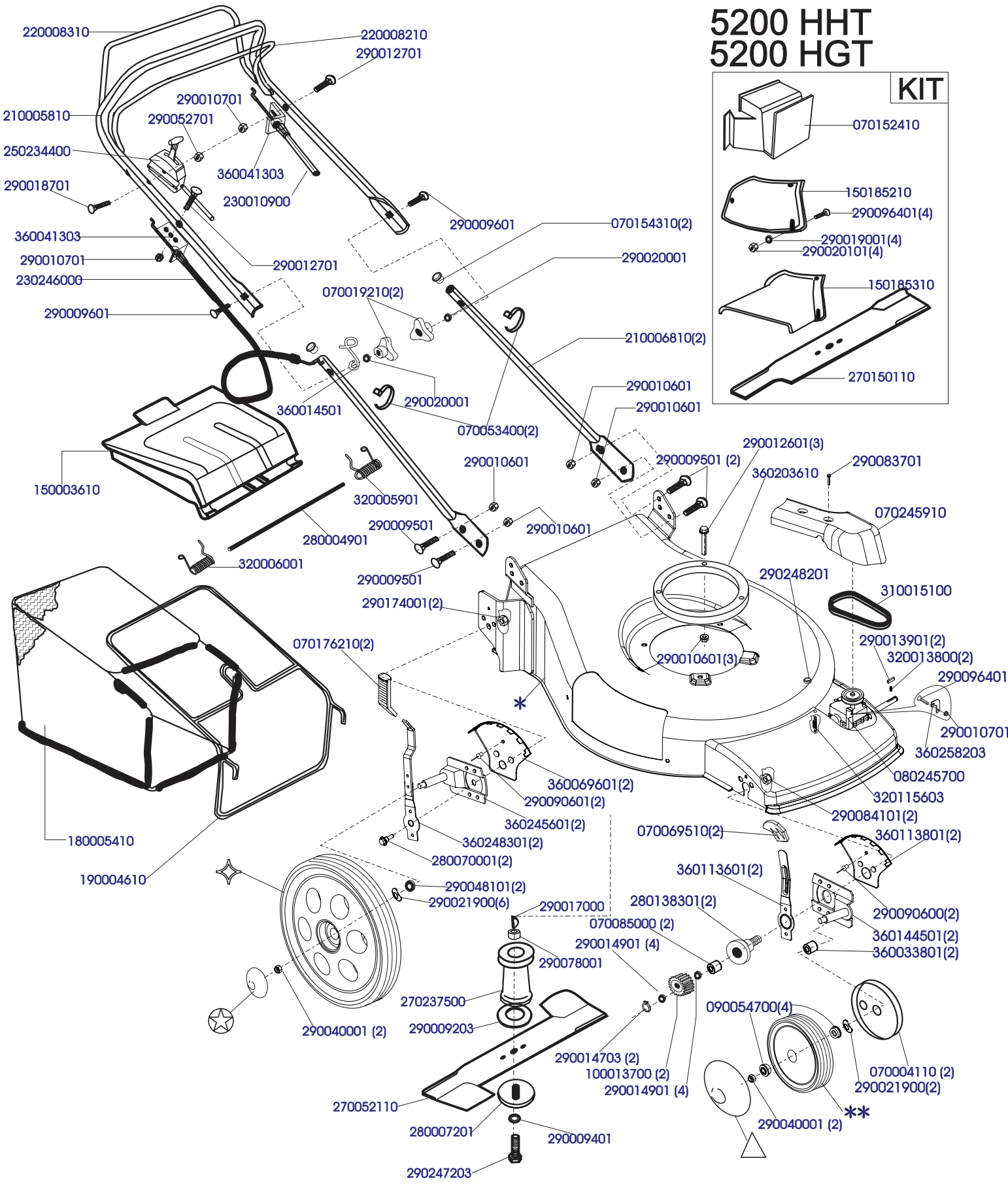


| COD. | MOD. | * | ** | ☆ | ★ | △ | | | | | | | |
|--------|----------|-----------|--------------|--------------|--------------|--------------|--|--|--|--|--|--|--|
| S04351 | 5200 HHT | 120245014 | 200262800(2) | 200228000(2) | 200258100(2) | 200244725(2) | | | | | | | |
| S04353 | 5200 HHT | 120245023 | 200262800(2) | 200228000(2) | 200258100(2) | 200244725(2) | | | | | | | |
| S04354 | 5200 HHT | 120245010 | 200262800(2) | 200228000(2) | 200258100(2) | 200244725(2) | | | | | | | |
| | | | | | | | | | | | | | |
| | | | | | | | | | | | | | |
| | | | | | | | | | | | | | |



5200 HHT 5200 HGT

KIT

