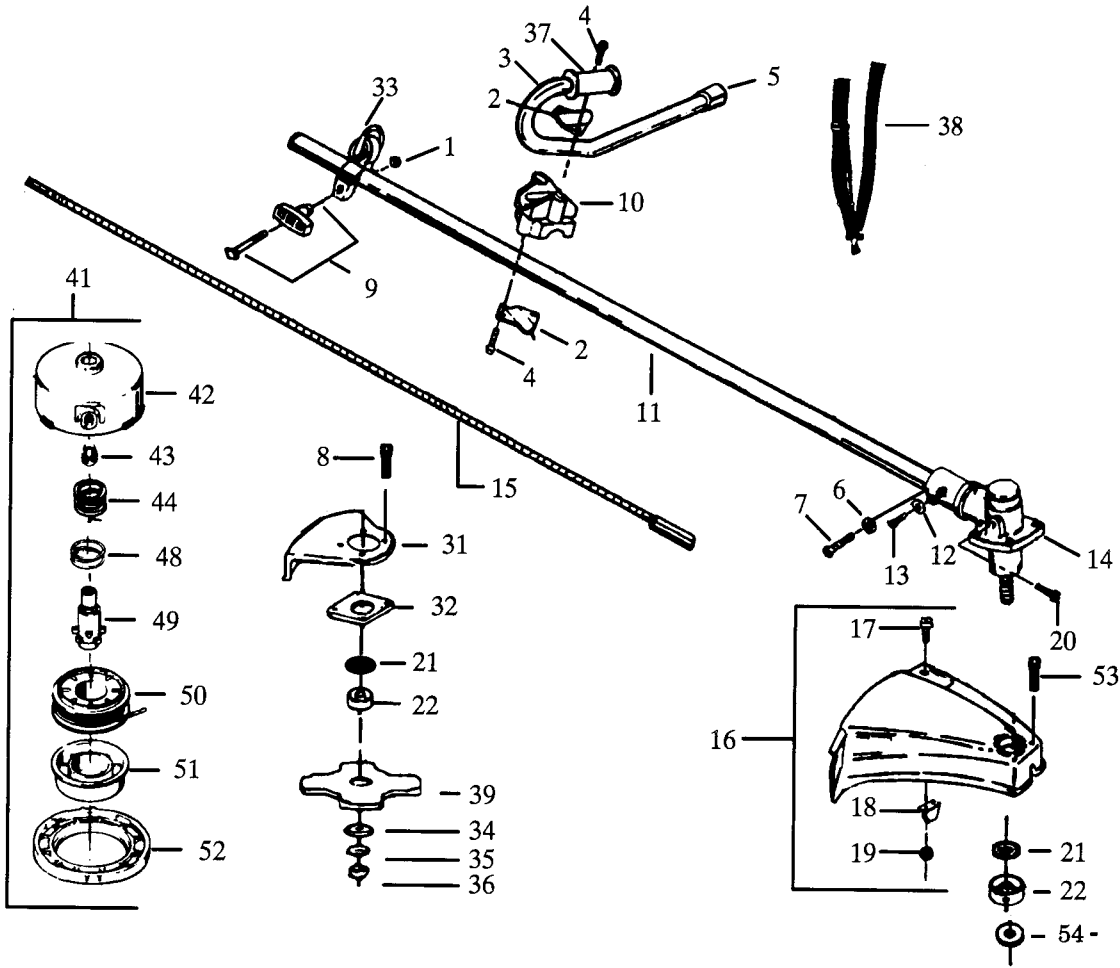




Prod. nr. Skand + Eur 952 71 51-25

## SPAREPARTS

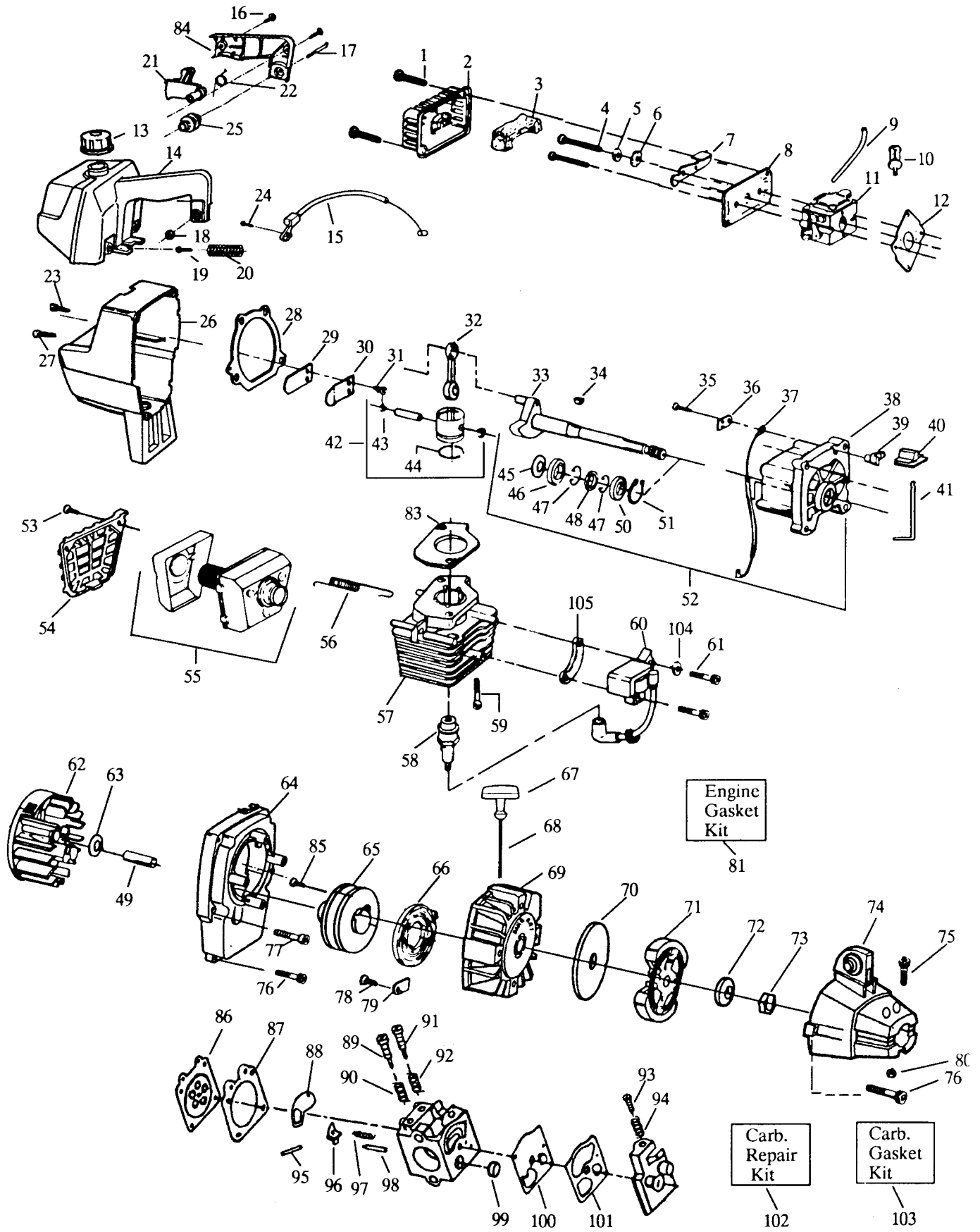
107 25 40-66



Lubrication

30

No.	Part no	Description	No.	Part no.	Description
1	530 01 51-97	Nut	22	530 09 46-39	Dust Cup
2	530 09 45-72	Handlebar Bracket	30	530 03 01-02	Shaft Lubrication
3	530 01 42-09	Handlebar	31	530 09 51-79	Shield
4	530 01 57-91	Screw	32	530 02 76-15	Shield Retention Plate
5	530 09 21-92	Handlebar Cap	33	530 09 46-86	Clamp Harness Ass'y.
6	530 00 16-42	Lockwasher	34	530 01 57-92	Washer
7	530 00 17-11	Screw	35	530 01 54-92	Washer
8	530 01 57-91	Screw	36	530 01 57-93	Nut
9	530 06 92-52	"T" Handle Ass'y.	37	530 09 20-86	Handlebar Grip
10	530 01 22-07	Handlebar Calamp	38	530 09 20-85	Shoulder Strap
11	530 09 48-38	Drive Shaft Housing	39	952 71 55-20	Weed Blade
12	530 01 53-28	Lockwasher	41	952 71 55-16	Cutting Head Ass'y.
13	530 09 46-12	Screw	42	530 09 38-96	Hub Ass'y.
14	530 09 45-68	Gear Box Ass'y.	43	530 09 38-98	Liner Saver
15	530 09 45-85	Drive Shaft	44	530 34 00-07	Spring
16	530 06 92-56	Shield Kit Ass'y. (Incl. 17-19) - Type II	48	530 09 20-68	Spring Adapter
17	530 01 50-37	Screw	N 49	530 09 51-21	Drive Gear
18	530 09 45-70	Line Limiter	50	952 71 55-15	Spool w/Line
N 19	534 23 59-01	Locknut	51	530 09 33-87	Release Botton
20	530 09 46-16	Screw	52	530 09 21-33	Cover
21	530 09 46-40	Seal	53	530 09 22-43	Screw
			54	530 09 45-71	Grass Washer



No.	Part no	Description	No.	Part no.	Description
1	530 01 57-73	Screw	54	530 02 77-81	Muffler Guard
2	530 02 75-29	Air Filter Cover	55	530 06 92-57	Muffler Kit
3	530 02 75-30	Air Filter	56	530 03 64-09	Muffler Spring
4	530 01 58-49	Screw	57	530 01 22-47	Cylinder
5	530 01 58-62	Spacer	58	530 03 00-58	Spark Plug (RCJ-14)
6	530 01 52-54	Wave Washer	59	530 01 52-39	Screw
7	530 02 75-26	Choke Shutter	60	530 03 91-34	Ignition Module Kit
8	530 02 75-27	Air Filter Plate	61	530 01 57-76	Screw
9	530 06 92-47	Fuel Line Kit	62	530 03 91-36	Flywheel Ass'y.
10	530 01 43-62	Fuel Pick-up Ass'y.	63	530 01 60-30	Washer
N 11	530 03 53-48	Carburetor (WT-300)	64	530 02 93-89	Fan Housing
12	530 01 91-56	+ Carburetor Gasket	65	530 06 92-91	Starter Pulley
13	530 01 43-47	Fuel Cap Ass'y.	66	530 02 93-95	Starter Spring
14	530 02 95-52	Handle & Tank Ass'y.	67	530 02 75-69	Starter Handle
15	530 02 79-64	Throttle Cable Ass'y.	68	530 06 92-32	Rope Kit
16	530 01 58-05	Screw	69	530 01 41-80	Pulley Housing Ass'y.
17	530 01 58-09	Shoulder Bolt	70	530 09 41-89	Clutch Washer
18	530 01 58-07	Nut	71	530 06 92-54	Clutch Ass'y. Kit
19	530 01 57-13	Screw	72	530 01 57-96	Washer
20	530 02 79-26	Rear Isolator Spring	73	503 00 17-33	Nut
21	530 02 79-24	Throttle Trigger	74	530 01 41-82	Clutch Housing
22	530 02 79-25	Throttle Spring	75	530 01 57-67	Screw
23	530 01 58-10	Screw	76	530 01 57-70	Screw
24	530 01 57-75	Screw	77	530 01 57-69	Screw
25	530 02 42-56	Isolator	78	530 01 54-96	Screw
26	530 02 93-77	Shroud	79	530 02 75-23	Pulley Retainer
27	530 01 57-71	Screw	80	530 01 57-68	Locknut
28	530 01 91-54	+ Gasket	81	530 06 92-76	Engine Gasket Kit (+ Indicates Contents)
29	530 02 75-93	Reed	83	530 01 91-78	+ Cylinder Gasket
30	530 02 75-94	Reed Stop	84	530 02 79-17	Handle Cover
31	530 01 52-41	Screw	85	530 01 58-23	Screw (incl. in Starter Pulley Kit)
32	530 01 09-60	Connecting Rod Ass'y.	86	530 03 50-14	* + Metering Diaphragm
33	530 01 09-34	Crankshaft Ass'y.	87	530 03 51-51	* + Metering Diaphragm Gasket
34	530 01 51-26	Flywheel Key	88	530 03 51-47	* + Circuit Plate Gasket
35	530 01 57-80	Screw	89	530 03 51-42	Hi Speed Needle
36	530 02 75-46	Switch Insulator	90	505 31 67-21	Hi Speed Needle Spring
37	530 02 75-47	Lead Wire	91	530 03 51-41	Idle Needle
38	530 01 40-16	Crankcase Ass'y. (Incl. 46, 47, 48 & 50)	92	501 46 73-01	Idle Needle Spring
39	530 02 75-45	Switch Ramp	93	530 03 52-03	Idle Speed Screw
40	530 02 79-58	Switch Button	94	530 03 52-08	Idle Speed Spring
41	530 02 79-59	Switch Spring	95	505 52 01-25	+ Metering Pin
42	530 06 92-40	Piston Kit (Incl. 43, 44 & pin)	96	505 52 01-27	+ Metering Lever
43	530 01 51-62	Piston Pin Retainer	97	530 03 51-88	+ Metering Lever Spring
44	530 02 73-69	Piston Ring	98	503 11 70-01	+ Inlet Needle Valve
45	530 01 57-88	Spacer	99	530 03 51-78	+ Inlet Screen
46	530 03 21-03	Inner Bearing	100	530 03 51-66	* + Pump Diaphragm
47	530 01 57-87	Retaining Ring	101	504 13 09-06	* + Pump Gasket
48	530 01 91-58	Crankshaft Seal	102	505 52 01-30	Carb. Kwik Repair Kit (+ Indicates Contents)
49	530 02 75-11	Spacer	103	530 03 51-85	Carb. Gasket/Diaphragm Kit (* Indicates Contents)
50	530 03 21-02	Outer Bearing	104	530 01 58-11	Washer
51	530 01 57-89	Crankshaft Retaining Ring	105	530 02 75-25	Spacer
52	530 01 40-15	Crankcase & Crankshaft Ass'y. (Incl. 33, 38, 45 & 51)			
53	530 01 57-17	Screw			

+ = Engine Gasket Kit Contents

N = NEW PARTS