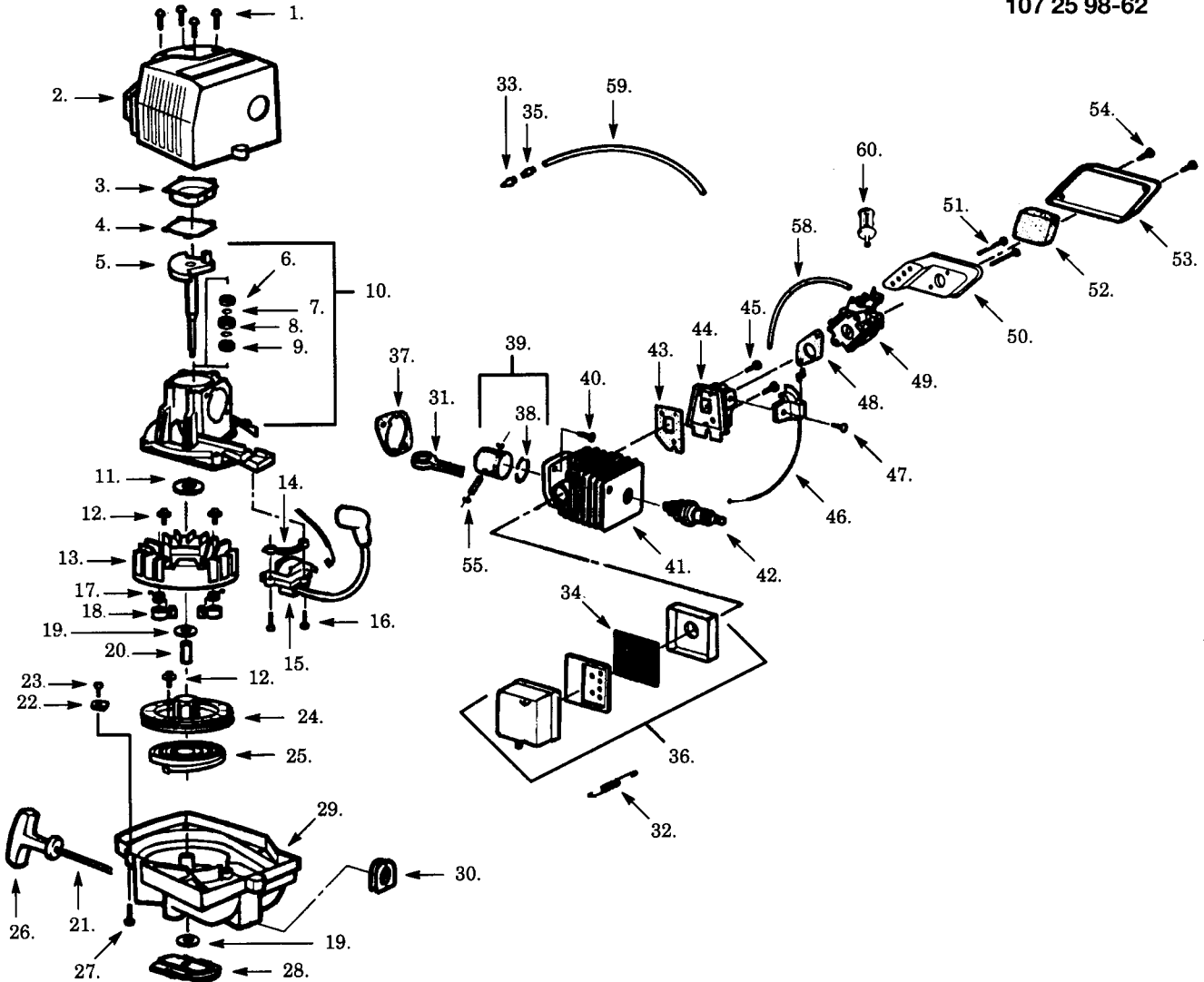




Prod. nr. 952 71 52-48

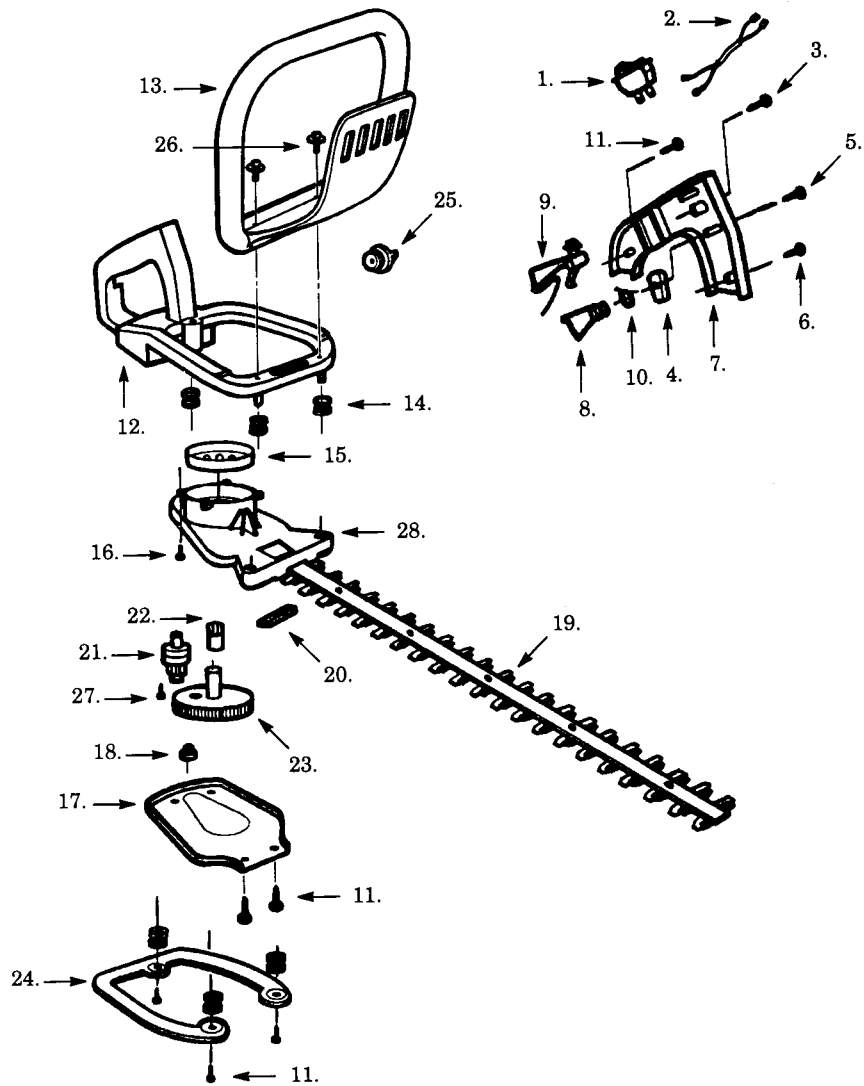
SPAREPARTS

107 25 98-62



No.	Part no	Description	No.	Part no.	Description
1	530 01 59-35	Screw	30	530 01 91-82	Grommet
2	530 03 63-46	Shroud	31	530 01 43-97	Connecting Rod Ass'y.
3	530 02 99-29	Crankcase Cover	32	530 02 99-30	Muffler Spring
4	530 01 91-81	Gasket	33	530 02 61-19	Check Valve
5	530 01 43-07	Crankshaft Ass'y.	34	530 03 61-80	Muffler Screen
6	530 03 21-25	Inner Bearing	35	530 02 44-75	Vent Fitting
7	530 01 59-45	Retaining Ring	36	530 06 93-52	Muffler Kit
8	530 01 91-79	Crankcase Seal	N 37	530 01 91-87	Cylinder Gasket
9	530 03 21-24	Outer Bearing	38	530 02 99-24	Piston Ring
N 10	*****	Crankcase Ass'y. (Incl. 6-9)	39	530 06 93-50	Piston Kit (Incl. 38 & 55)
11	530 01 59-41	Retaining Ring	40	530 01 59-53	Screw
12	530 01 58-82	Screw	41	*****	Cylinder
13	530 03 91-49	Flywheel Ass'y.	42	530 03 00-75	Spark Plug
14	530 03 61-45	Spacer	43	530 01 91-85	Gasket
N 15	530 03 91-63	Ignition Module	44	530 03 63-47	Carb. Adaptor
16	530 01 59-54	Screw	N 45	530 01 60-14	Screw
17	530 02 99-40	Spring	46	530 01 43-84	Throttle Cable Ass'y.
18	530 02 99-39	Starter Dog	47	530 01 57-75	Screw
19	530 01 58-28	Washer	48	530 01 91-83	Gasket
20	530 01 59-30	Flywheel Spacer	49	530 03 53-06	Carburetor
21	530 06 92-32	Rope Kit	N 50	530 03 61-92	Air Box
22	530 01 59-63	Retainer	51	530 01 58-49	Screw
23	530 01 54-96	Screw	52	530 02 99-34	Air Filter Foam
24	530 06 93-53	Starter Pulley	N 53	530 03 61-93	Air Filter Cover
25	530 02 93-95	Starter Spring	54	530 01 56-35	Screw
26	530 02 75-69	Starter Handle	55	530 01 51-62	Piston Pin Retainer
27	530 01 58-10	Screw	58	530 06 92-47	Fuel Line
28	530 01 43-96	Clutch Ass'y. Kit	59	530 06 92-16	Vent Line
29	530 01 46-35	Fan Housing	60	530 01 41-99	Fuel Pick-up Ass'y.

N = NEW PART



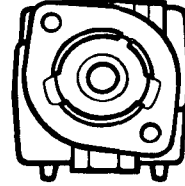
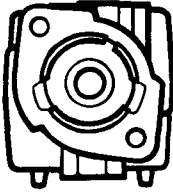
No.	Part no	Description
	1	530 02 99-54 Ignition Switch
	2	530 03 64-43 Lead Wire Ass'y.
N	3	530 01 57-75 Screw
	4	530 02 99-58 Trigger Lever
N	5	530 01 59-40 Screw
	6	530 01 57-70 Screw
	7	530 02 99-60 Handle Cover
	8	530 02 99-56 Throttle Trigger
	9	530 03 61-22 Throttle Lockout
	10	530 03 61-23 Trigger Spring
	11	530 01 59-34 Screw
N	12	530 02 99-63 Rear Handle & Tank Ass'y.
	13	530 09 49-92 Front Handle
	14	530 02 99-46 Isolator Spring
	15	530 04 81-13 Clutch Drum
	16	530 01 58-14 Screw
	17	530 02 99-16 Gear Box Plate
	18	530 03 21-21 Bushing Blade
	19	530 09 50-74 Blade Ass'y.
	20	530 02 99-48 Blade Seal
	21	530 03 62-28 Pinion Ass'y.
N	22	530 01 60-13 Drive Gear Bearings
	23	530 06 93-55 Drive Gear Ass'y.
	24	530 03 60-46 Isolator Plate
N	25	530 01 46-78 Fuel Cap Ass'y.
	26	530 01 59-55 Screw
	27	530 01 58-05 Screw
	28	530 03 71-10 Gear Box Ass'y. (Incl. 21,22 & 27)

N = NEW PART

SERVICE REFERENCE

1. Crankcase/Cylinder Assemblies

When replacing the Cylinder, Crankcase, or Gasket refer to the illustrations below and order accordingly.



No.	Part no	Description	No.	Part no.	Description
10	530 01 43-60	Crankcase Ass'y.	10	530 01 48-61	Crankcase Ass'y.
41	530 06 93-54	Cylinder	41	530 06 94-05	Cylinder
37	530 01 91-80	Cylinder Gasket	37	530 01 91-87	Cylinder Gasket