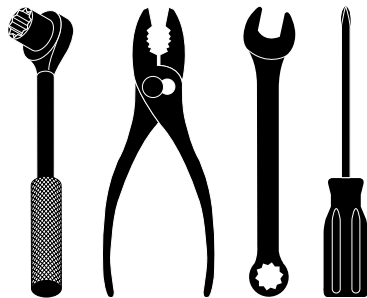


REPAIR PARTS MANUAL

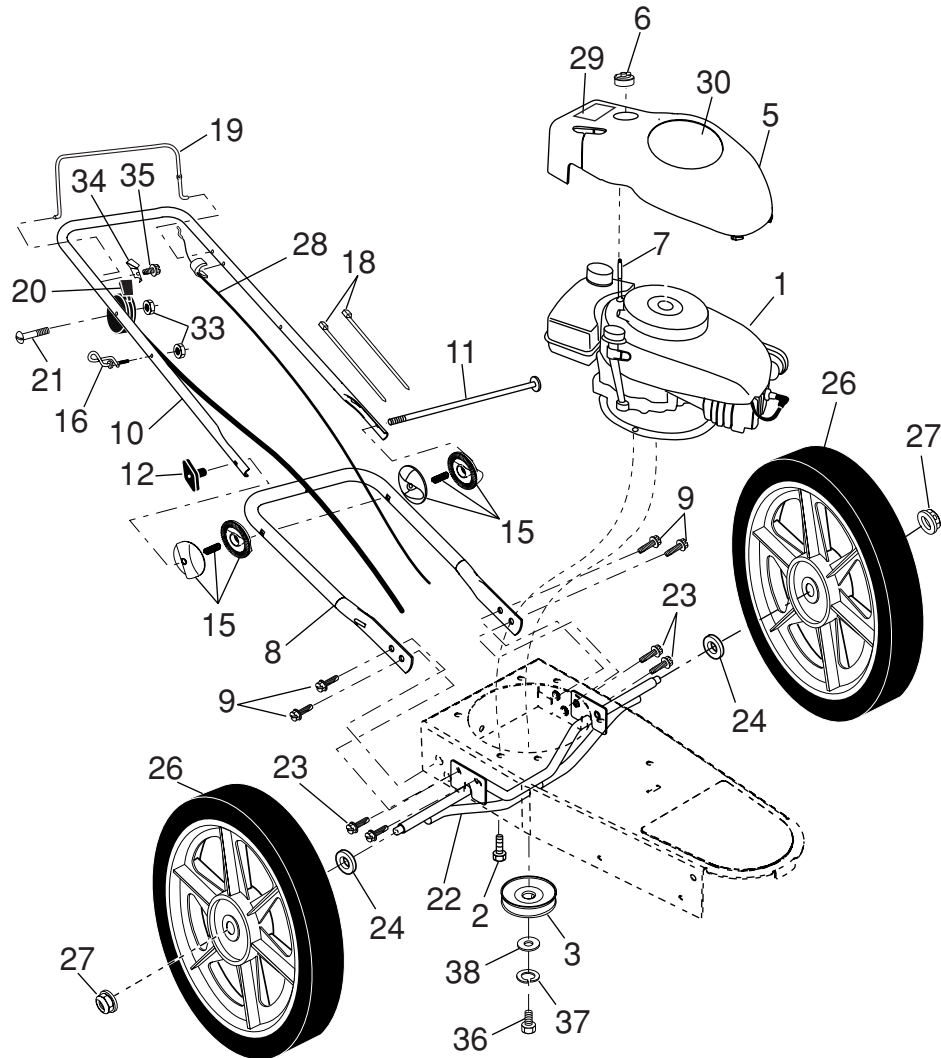
MODEL NUMBER **PWT420**

Wheeled Weed Trimmer



WEED TRIMMER - MODEL NUMBER PWT420 (96171000201)
PRODUCT NUMBER 961 71 00-02

SERVICE NOTES



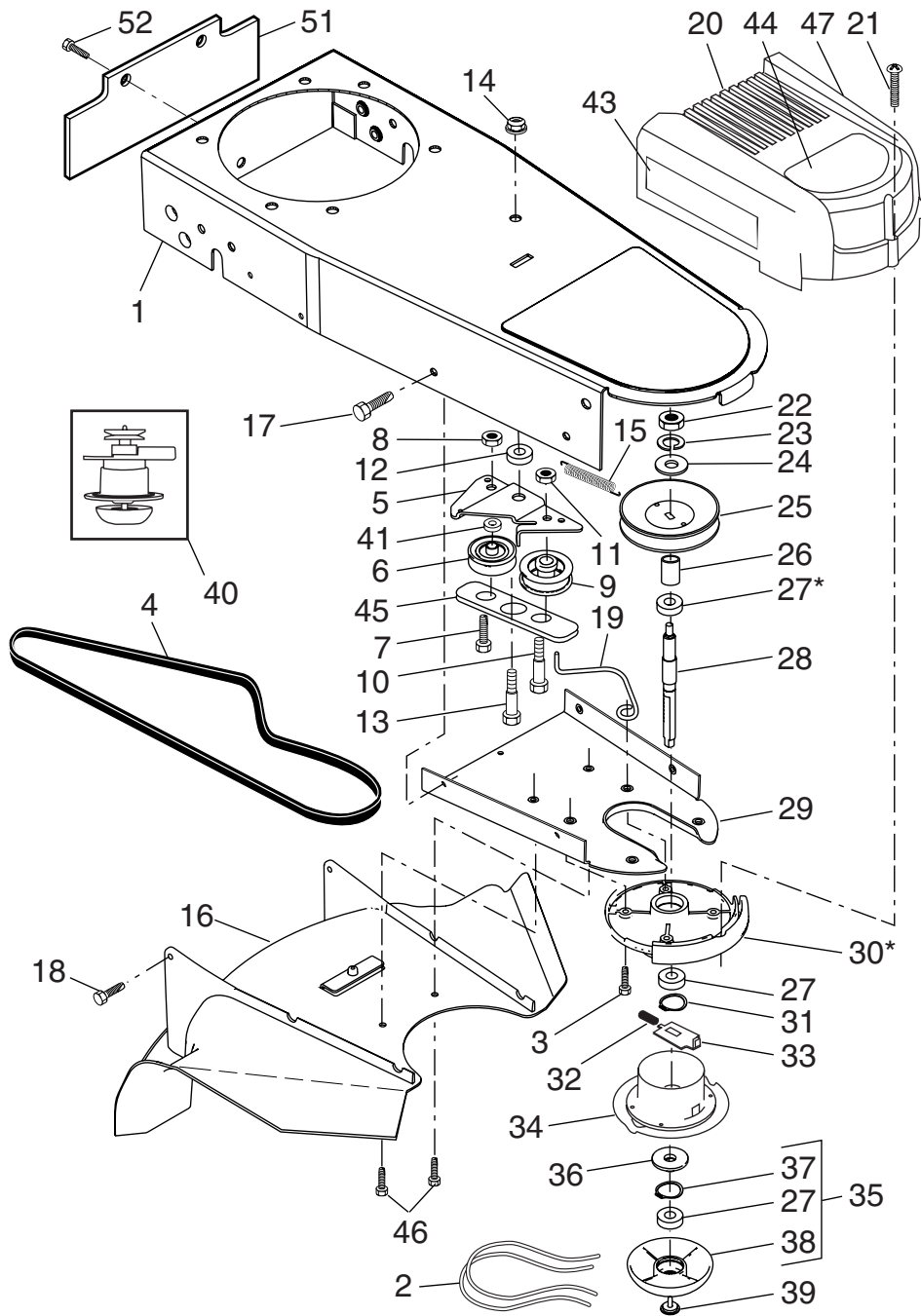
SERVICE NOTES

**WEED TRIMMER - MODEL NUMBER PWT420 (96171000201)
PRODUCT NUMBER 961 71 00-02**

| KEY NO. | PART NO. | DESCRIPTION |
|---------|--------------|---|
| 1 | - - - | Engine, Tecumseh, Model Number LEV195EA (Order parts from Engine Manufacturer) |
| 2 | 532 15 04-06 | Bolt, Engine Mounting 3/8-16 |
| 3 | 532 17 94-66 | Pulley, Engine (Includes Setscrew, Key #4) |
| 5 | 532 18 17-01 | Cover, Engine, with Screen |
| 6 | 532 17 42-74 | Knob, Engine Cover |
| 7 | 532 17 40-30 | Stud, Engine Cover |
| 8 | 532 18 67-54 | Handle, Lower |
| 9 | 532 15 00-78 | Screw, Hex Washer Head 5/16-18 x .75 |
| 10 | 532 18 67-55 | Handle, Upper |
| 11 | 532 17 09-80 | Bolt, Handle |
| 12 | 532 19 19-38 | Knob, Handle |
| 15 | 532 17 97-51 | Handle Adjuster Assembly |
| 16 | 532 19 47-88 | Guide, Rope |
| 18 | 532 06 64-26 | Wire Tire |
| 19 | 532 17 69-83 | Control Bar |
| 20 | 532 17 49-34 | Throttle Control |
| 21 | 532 15 87-55 | Screw, Hex Washer Head |
| 22 | 532 18 67-56 | Axle Shaft Assembly |
| 23 | 532 15 00-78 | Screw, Hex Washer Head 5/16-18 x .75 |
| 24 | 532 05 21-60 | Washer, Axle |
| 26 | 532 17 02-58 | Wheel, 14 x 2 |
| 27 | 532 08 39-23 | Hex Flange Locknut 3/8-16 |
| 28 | 532 18 16-99 | Drive Control Cable |
| 29 | 532 18 74-64 | Decal, Warning |
| 30 | 532 40 44-94 | Decal, Engine Cover |
| 33 | 532 13 20-04 | Nut |
| 34 | 532 12 52-03 | Bracket, Upstop |
| 35 | 532 75 06-34 | Screw, Thd. Roll. #10-24 x 5/8 |
| 36 | 532 85 10-84 | Screw, Hex Head 3/8-24 x 1 |
| 37 | 532 85 02-63 | Washer, Lock |
| 38 | 532 85 10-74 | Washer, Flat, Hardened |
| -- | 532 18 74-78 | Operator's Manual, European |
| -- | 532 18 74-79 | Operator's Manual, Scandanivan |
| -- | 532 40 43-37 | Repair Parts Manual, English |

NOTE: All component dimensions given in U.S. inches. 1 inch = 25.4 mm
IMPORTANT: Use only Original Equipment Manufacturer (O.E.M.) replacement parts. Failure to do so could be hazardous, damage your weed trimmer and void your warranty.

WEED TRIMMER - MODEL NUMBER PWT420 (96171000201)
PRODUCT NUMBER 961 71 00-02



WEED TRIMMER - MODEL NUMBER PWT420 (96171000201)
PRODUCT NUMBER 961 71 00-02

| KEY NO. | PART NO. | DESCRIPTION |
|---------|--------------|---|
| 1 | 532 18 67-60 | Chassis Assembly |
| 2 | 532 17 40-40 | Line, Trimmer .155 diameter x 18.75 long |
| 3 | 532 17 37-15 | Screw, Self-Tapping 5/16-18 x 1 |
| 4 | 532 18 54-76 | V-Belt |
| 5 | 532 18 67-51 | Bracket, Idler |
| 6 | 532 16 60-42 | Pulley, Idler, V-Groove |
| 7 | 532 17 37-16 | Bolt, Hex Head 3/8-16 x 1.25 |
| 8 | 532 75 15-92 | Locknut, Hex 3/8-16 |
| 9 | 532 16 60-43 | Pulley, Idler, Flat |
| 10 | 532 16 08-29 | Bolt, Shoulder |
| 11 | 532 15 55-52 | Locknut 5/16-18 |
| 12 | 532 17 37-17 | Spacer |
| 13 | 532 17 47-19 | Bolt, Shoulder |
| 14 | 532 14 52-12 | Locknut, Flange |
| 15 | 532 17 38-11 | Spring, Return |
| 16 | 532 18 02-68 | Deflector, Bottom |
| 17 | 532 05 78-08 | Screw 1/4-20 x 1/2 |
| 18 | 532 17 88-48 | Screw #10-24 x 3/4 |
| 19 | 532 18 73-36 | Belt Keeper |
| 20 | 532 17 83-90 | Cover, Chassis, Top |
| 21 | 532 14 97-46 | Screw #10-24 x 1-3/4 |
| 22 | 873 80 06-00 | Nut, Hex 3/8-24 UNF |
| 23 | 810 04 06-00 | Washer, Lock 3/8 |
| 24 | 532 05 17-85 | Washer, Flat 3/8 |
| 25 | 532 18 03-40 | Pulley, Driven |
| 26 | 532 17 25-51 | Spacer, Pulley |
| 27 | 532 17 45-49 | Bearing |
| 28 | 532 17 25-20 | Jackshaft |
| 29 | 532 18 67-52 | Cover, Chassis, Bottom |
| 30 | 532 17 45-43 | Spindle Housing Assembly (* Includes Upper Bearing, Key No. 27) |
| 31 | 532 17 45-81 | Ring, Retaining, External, 17mm |
| 32 | 532 17 69-73 | Spring, Locking Plate |
| 33 | 532 17 25-19 | Locking Plate |
| 34 | 532 18 03-38 | Carrier Plate Assembly |
| 35 | 532 18 22-17 | Mow Ball Assembly (Includes Key Numbers 27, 37 and 38) |
| 36 | 532 17 25-16 | Cover, Bearing |
| 37 | 532 17 45-80 | Ring, Retaining, Internal, 40mm |
| 38 | 532 17 25-23 | Mow Ball |
| 39 | 532 18 03-34 | Bolt, Mow Ball |
| 40 | 532 18 03-33 | Spindle Assembly, Complete (Includes Key No. 22-28 and 30-39) |
| 41 | 532 17 40-29 | Spacer |
| 42 | 532 18 74-58 | Decal, Safety |
| 43 | 532 17 40-42 | Decal, Instruction |
| 44 | 532 18 66-00 | Decal, Chassis Cover |
| 45 | 532 18 67-53 | Belt Keeper, Bottom |
| 46 | 817 06 04-08 | Screw, Self-Tapping |
| 47 | 532 18 22-05 | Decal, Instruction |
| 51 | 532 18 90-06 | Deflector, Rear |
| 52 | 532 17 88-48 | Screw |

NOTE: All component dimensions given in U.S. inches. 1 inch = 25.4 mm
IMPORTANT: Use only Original Equipment Manufacturer (O.E.M.) replacement parts. Failure to do so could be hazardous, damage your weed trimmer and void your warranty.