

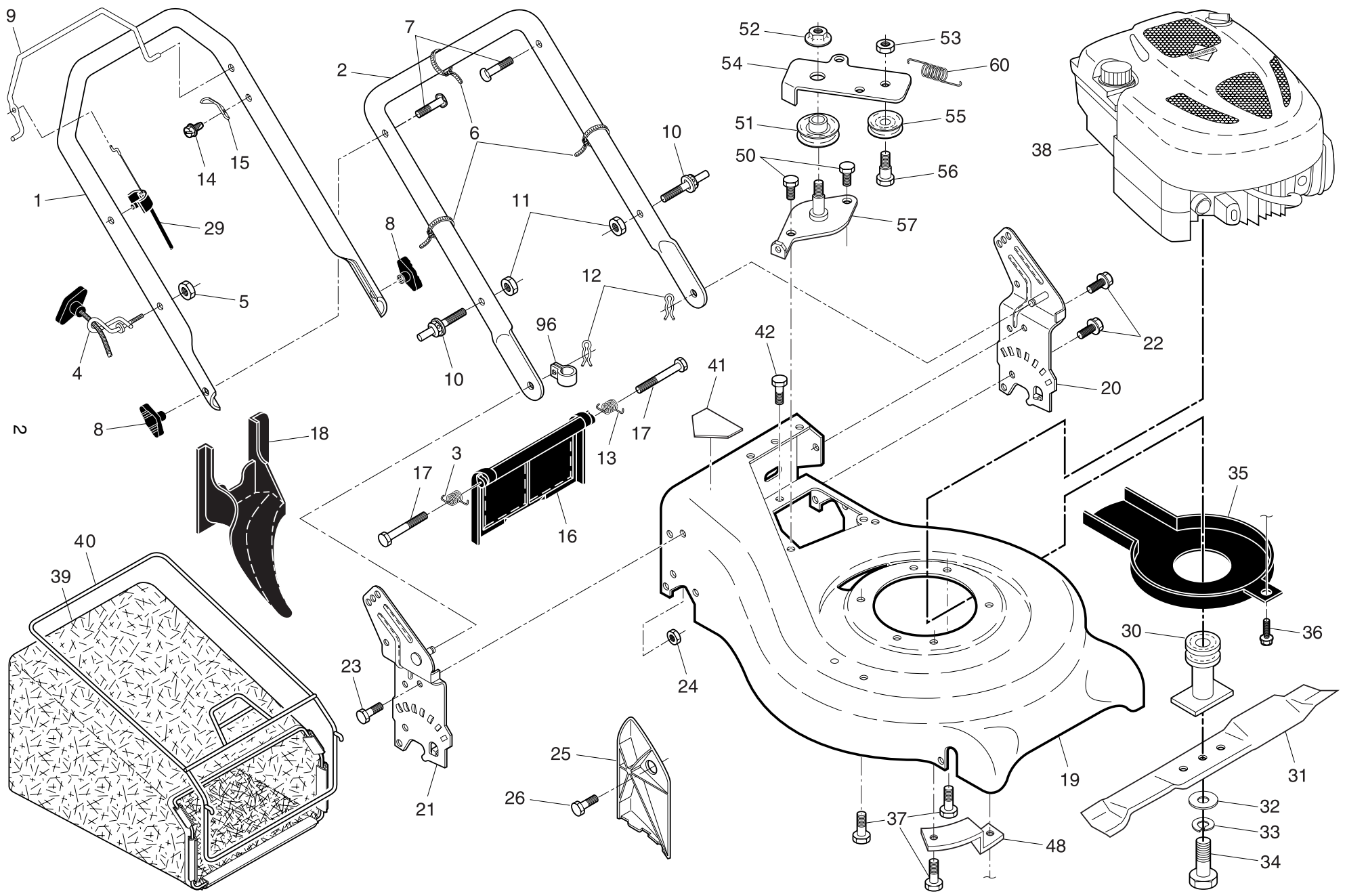
ILLUSTRATED PARTS LIST

MODEL NUMBER 553CM

PRODUCT NUMBER 961 41 00-13

MFG. ID. NUMBER 96141001304

ROTARY LAWN MOWER - - MODEL NUMBER 553CM (96141001304) PRODUCT NUMBER 961 41 00-13



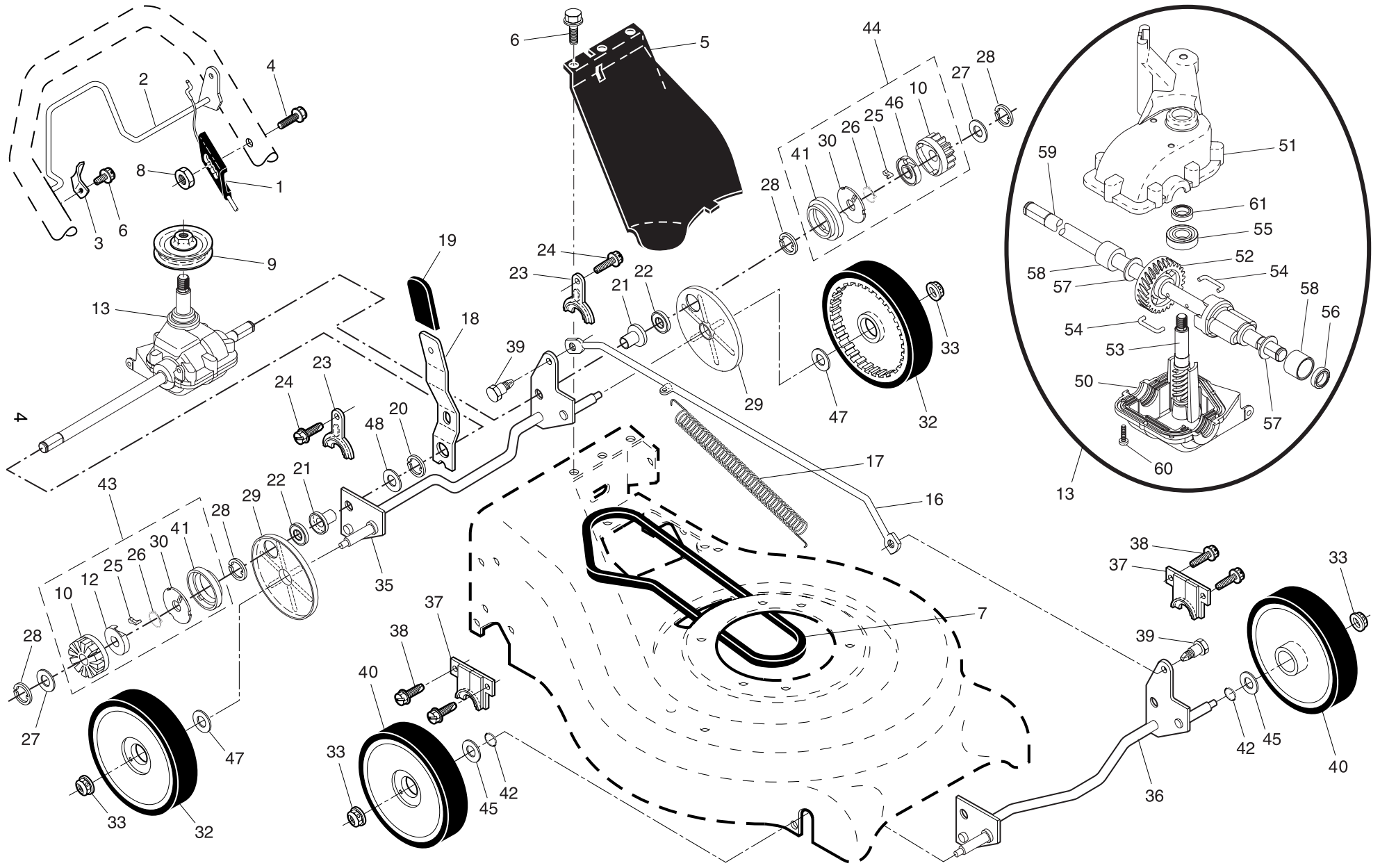
ROTARY LAWN MOWER - - MODEL NUMBER **553CM** (96141001304) PRODUCT NUMBER 961 41 00-13

KEY NO.	PART NO.	DESCRIPTION	KEY NO.	PART NO.	DESCRIPTION
1	532 17 80-67	Handle, Upper	31	532 19 93-77	Blade, 21"
2	532 19 60-05	Handle, Lower	32	532 85 10-74	Washer, Hardened
3	532 40 54-16	Spring, Rear Door, RH	33	532 85 02-63	Lockwasher, Helical Spring 3/8
4	532 19 47-88	Guide, Rope, Side	34	532 85 10-84	Screw, Hex Head 3/8-24 x 1.38
5	532 13 20-04	Nut, Hex, with Lockwasher Insert 1/4-20	35	532 18 87-86	Shield, Debris
6	532 06 64-26	Wire Tie	36	532 19 23-25	Bolt
7	532 19 15-74	Bolt, Handle 5/16-18 x 1.75	37	532 15 04-06	Bolt, Engine
8	532 19 19-38	Knob, Handle	38	- - -	Engine, Briggs & Stratton, Model Number 12F802 (Order parts from engine manufacturer)
9	532 19 18-19	Bar, Control	39	532 41 06-76	Grassbag
10	532 18 88-21	Bolt, Carriage	40	532 40 74-53	Frame, Grassbag
11	873 93 05-00	Nut, Hex, with Lockwasher Insert 5/16-18 UNC	41	532 18 21-66	Danger Decal
12	532 05 17-93	Cotter, Hairpin	42	532 05 45-83	Screw
13	532 40 54-15	Spring, Rear Door, LH	48	532 19 09-39	Mounting Bracket, Debris Shield
14	532 75 06-34	Screw, Tapping, Hex Washer Head #10-24	50	532 05 78-08	Screw
15	532 12 51-62	Bracket, Upstop	51	532 19 37-91	Pulley, Idler
16	532 40 88-88	Rear Door Assembly	52	532 14 52-12	Nut, Hex
17	532 18 41-93	Bolt, Rear Door	53	532 15 55-52	Nut, Hex
18	532 19 81-70	Plug, Mulcher	54	532 19 68-12	Arm, Idler
19	532 40 97-11	Kit, Housing	55	532 16 60-43	Pulley, Idler
20	532 19 40-29	Handle Bracket Assembly, LH	56	532 16 08-29	Bolt
21	532 19 40-31	Handle Bracket Assembly, RH	57	532 19 33-15	Bracket, Idler
22	532 15 00-78	Screw, Hex Washer Head	60	532 18 22-26	Spring, Return
23	532 16 31-83	Bolt, Hex Head 5/16-18 x 5/8	96	532 19 79-91	Clip, Cable
24	873 80 05-00	Nut, Hex, with Lockwasher Insert 5/16-18	--	532 18 21-34	Warning Decal (not shown)
25	532 16 13-33	Baffle, Side	--	532 41 00-36	Operator's Manual, European
26	532 16 34-09	Screw #12 x 5/8	--	532 41 00-37	Operator's Manual, Scandinavian
29	532 19 12-21	Cable, Engine Zone Control	--	532 41 00-39	Operator's Manual, East Bloc
30	532 18 91-79	Blade Adapter / Pulley			

3

NOTE: All component dimensions given in U.S. inches. 1 inch = 25.4 mm. **IMPORTANT:** Use only Original Equipment Manufacturer (O.E.M.) replacement parts. Failure to do so could be hazardous, damage your lawn mower and void your warranty.

ROTARY LAWN MOWER - - MODEL NUMBER 553CM (96141001304) PRODUCT NUMBER 961 41 00-13



ROTARY LAWN MOWER - - MODEL NUMBER **553CM** (96141001304) PRODUCT NUMBER 961 41 00-13

KEY NO.	PART NO.	DESCRIPTION
1	532 40 98-95	Cable, Drive Control
2	532 16 14-73	Bar, Control, Drive
3	532 16 45-57	Bracket, Downstop
4	532 19 96-87	Screw
5	532 40 28-07	Cover, Drive
6	532 75 06-34	Screw, Threaded, Rolled #10-25 x .50
7	532 18 22-12	V-Belt
8	532 19 17-30	Nut, Hex
9	532 18 41-28	Pulley, Driven
10	532 17 51-03	Gear, Pinion
12	532 17 51-02	Retainer, Drive, RH
13	532 18 86-45	Gearcase Assembly, Complete
16	532 40 71-47	Rod, Connecting
17	532 16 16-02	Spring, Extension
18	532 19 61-62	Spring, Selector
19	532 19 00-69	Knob, Selector Spring
20	812 00 00-22	E-Ring 7/8
21	532 16 33-65	Support, Bearing
22	532 16 99-11	Bearing, Ball
23	532 16 45-55	Retainer, Drive Assembly, Stamped
24	532 05 78-08	Screw, Tapping, Hex Head 1/4-20 x .75
25	532 17 50-98	Pawl, Drive
26	532 18 82-91	Spring
27	532 05 21-60	Washer, Shim (as needed)
28	812 00 00-58	E-Ring 7/16
29	532 18 94-03	Cover, Dust, Wheel
30	532 17 51-04	Disc, Drive
31	532 18 41-72	Seal, Friction

KEY NO.	PART NO.	DESCRIPTION
32	532 40 25-67	Wheel & Tire Assembly, Rear, Driven 8 x 1-3/4
33	532 08 39-23	Nut, Hex, Flangelock
35	532 41 09-22	Shaft Assembly, Rear
36	532 41 09-33	Shaft Assembly, Front
37	532 16 14-63	Retainer, Front Shaft
38	532 16 34-09	Screw #12 x 5/8
39	532 40 70-59	Shoulder Bolt, Hex Washer Head, Semi-Gimlet Point 5/16-18 x 43/64
40	532 41 13-20	Wheel & Tire Assembly, Front 8 x 1-3/4
42	532 19 74-80	O-Ring
43	532 18 83-30	Pinion Assembly, RH
44	532 18 83-31	Pinion Assembly, LH
45	532 08 83-48	Washer, Flat 3/8
46	532 17 51-05	Retainer, Drive, LH
47	532 06 77-25	Washer, Flat 1/2 x 1-1/2 x .134
48	532 85 12-26	Washer
51	532 18 75-30	Case, Lower
52	532 18 75-31	Case, Upper
53	532 18 75-32	Gear, 24 Teeth
54	532 18 75-33	Shaft, Input
55	532 18 35-05	Wireform
56	532 18 35-06	Bearing, Ball
57	532 18 35-08	Seal, Output Shaft
58	532 18 35-09	Washer
59	532 18 35-11	Bushing
60	532 19 12-49	Shaft, Output
61	532 18 35-13	Screw
62	532 18 35-14	Seal, Input Shaft

5

NOTE: All component dimensions given in U.S. inches. 1 inch = 25.4 mm. **IMPORTANT:** Use only Original Equipment Manufacturer (O.E.M.) replacement parts. Failure to do so could be hazardous, damage your lawn mower and void your warranty.