

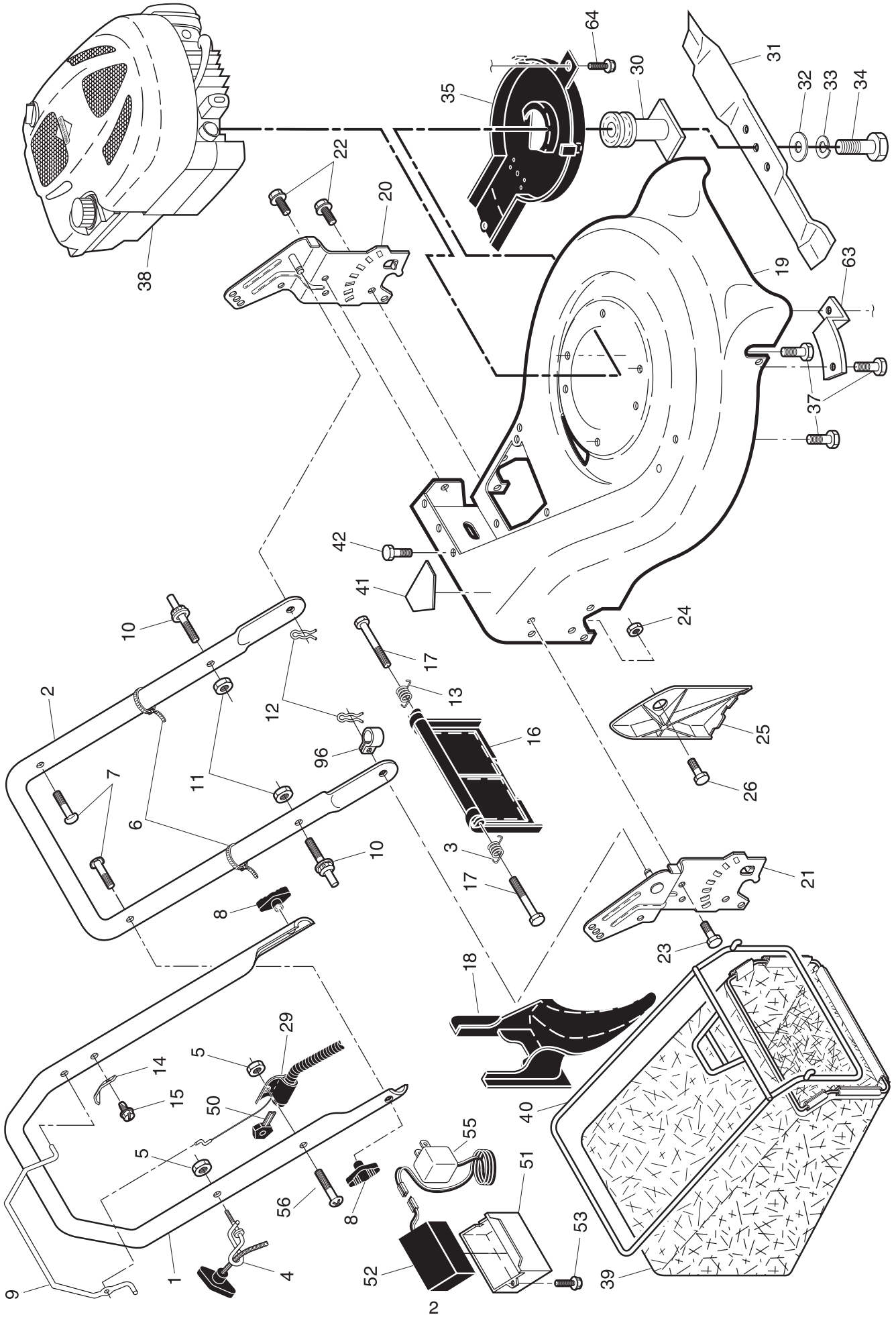
**ILLUSTRATED PARTS LIST**

**MODEL NUMBER 553CME**

**PRODUCT NUMBER 961 41 00-14**

**MFG. ID. NUMBER 96141001404**

ROTARY LAWN MOWER - - MODEL NUMBER 553CME (96141001404) PRODUCT NUMBER 961 41 00-14



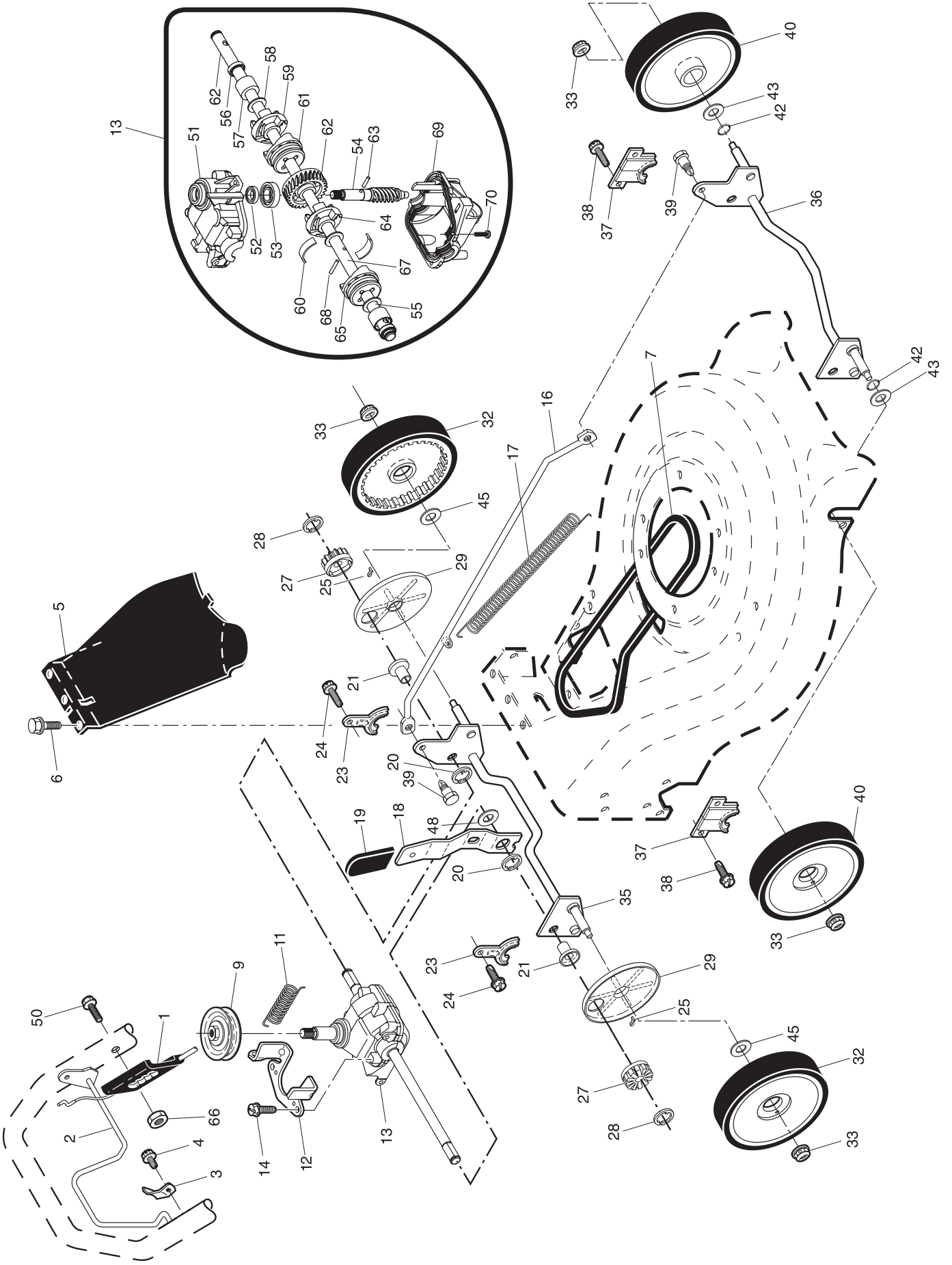
**ROTARY LAWN MOWER - - MODEL NUMBER 553CME (96141001404) PRODUCT NUMBER 961 41 00-14**

KEY NO.	PART NO.	DESCRIPTION	KEY NO.	PART NO.	DESCRIPTION
1	532 17 80-67	Handle, Upper, Deluxe Comfort	30	532 18 91-79	Adapter, Blade/Pulley
2	532 19 60-05	Handle, Lower	31	532 19 93-77	Blade, 21"
3	532 40 54-16	Spring, Rear Door, RH	32	532 85 10-74	Washer, Hardened
4	532 19 47-88	Guide, Rope, Side	33	532 85 02-63	Lockwasher, Helical Spring 3/8
5	532 13 20-04	Nut, Hex, with Lockwasher Insert 1/4-20	34	532 85 10-84	Screw, Hex Head 3/8-24 x 1.38
6	532 06 64-26	Wire, Tie	35	<b>532 40 58-43</b>	Shield, Debris
7	532 19 15-74	Bolt, Handle 5/16-18 x 1.75	37	532 15 04-06	Bolt, Engine
8	532 19 19-38	Knob, Handle	38	- - -	Engine, Briggs & Stratton, Model No. 12F805-1974-EA (Order parts from engine manufacturer)
9	532 19 18-19	Bail, Control, Wire, Deluxe Comfort, Black	39	532 41 06-76	Bag, Grass Catcher
10	532 18 88-21	Bolt, Carriage	40	532 40 74-53	Frame, Grass Bag
11	873 75 11-53	Nut, Hex, with Lockwasher Insert 5/16-18 UNC	41	532 18 21-66	Decal Danger
12	532 05 17-93	Cotter, Hairpin	42	532 05 45-83	Screw, Self Tapping
13	532 40 54-15	Spring, Rear Door, LH	50	532 18 03-31	Key
14	532 12 51-62	Bracket, Upstop	51	<b>532 40 80-02</b>	Box, Battery
15	532 75 06-34	Screw, Tapping, Hex Washer Head #10-24	52	532 18 95-89	Battery
16	532 40 88-88	Rear Door Assembly	53	<b>532 16 34-09</b>	Screw, Hex Washer Head #13 x .75
17	532 18 41-93	Bolt, Rear Door	55	532 19 24-36	Charger, Battery
18	532 19 81-70	Plug, Mulcher	56	532 18 61-59	Screw
19	532 40 97-11	Kit, Lawn Mower Housing Assembly	63	532 19 09-39	Bracket
20	532 19 40-29	Handle Bracket Assembly, LH	64	532 19 23-25	Screw
21	532 19 40-31	Handle Bracket Assembly, RH	96	532 19 79-91	Clip, Cable
22	532 15 00-78	Screw, Hex Washer Head	- -	<b>532 18 21-91</b>	Warning Decal (not shown)
23	532 16 31-83	Bolt, Hex Head 5/16-18 x 5/8	- -	532 41 00-90	Operator's Manual, European
24	873 80 05-00	Nut, Hex, with Lockwasher Insert 5/16-18	- -	532 41 00-94	Operator's Manual, Scandinavian
25	532 16 13-33	Baffle, Side	- -	532 41 00-95	Operator's Manual, East Bloc
26	532 16 34-09	Screw #12 x 5/8			
29	532 19 49-53	Key Start Switch (Includes 1 Key)			

**NOTE:** All component dimensions given in U.S. inches. 1 inch = 25.4 mm

**IMPORTANT:** Use only Original Equipment Manufacturer (O.E.M.) replacement parts. Failure to do so could be hazardous, damage your lawn mower and void your warranty.

ROTARY LAWN MOWER -- MODEL NUMBER 553CME (96141001404) PRODUCT NUMBER 961 41 00-14



**ROTARY LAWN MOWER - - MODEL NUMBER 553CME (96141001404) PRODUCT NUMBER 961 41 00-14**

KEY NO.	PART NO.	DESCRIPTION	KEY NO.	PART NO.	DESCRIPTION
1	<b>532 40 65-31</b>	Cable, Drive	37	532 16 14-63	Retainer, Front Shaft
2	532 16 14-73	Bail, Control, Drive	38	532 16 34-09	Screw #12 x 5/8
3	532 16 45-57	Bracket, Downstop	39	532 40 70-59	Bolt
4	532 75 06-34	Screw, Tapping, Hex Washer Head #10-24	40	532 41 13-24	Wheel & Tire Assembly, Front 8 x 2
5	<b>532 41 39-30</b>	Cover, Drive	42	<b>532 19 74-80</b>	O-Ring
6	532 75 06-34	Screw, Threaded, Rolled #10-25 x .50	43	<b>532 00 88-34</b>	Flat Washer 1/2"
7	<b>532 40 65-67</b>	V-Belt	45	532 06 77-25	Washer 1/2 x 1-1/2 x .134
9	532 19 41-28	Pulley, Driven	48	532 85 12-26	Washer
11	<b>532 40 65-58</b>	Return Spring	50	532 19 96-87	Screw
12	<b>532 41 37-22</b>	Belt Keeper Bracket	51	<b>532 41 27-36</b>	Upper Case
13	<b>532 40 48-39</b>	Gearcase Assembly, Complete	52	<b>532 18 35-14</b>	Seal
14	<b>532 16 34-09</b>	Screw 12 x 5/8 HI/LO Thread	53	<b>532 18 35-06</b>	Ball Bearing
16	532 40 71-47	Rod, Connecting	54	<b>532 41 27-37</b>	Worm Shaft
17	532 40 96-16	Spring, Extension	55	<b>532 41 27-56</b>	Short Output Shaft
18	532 19 61-62	Spring, Selector	56	<b>532 18 35-08</b>	Seal
19	532 19 00-69	Knob, Selector Spring	57	<b>532 18 35-11</b>	Bushing
20	812 00 00-22	E-Ring 7/8	58	<b>532 18 35-09</b>	Washer
21	<b>532 40 48-38</b>	Bearing Asm	59	<b>532 41 27-39</b>	Fixed Dog Left
23	532 16 45-55	Retainer, Drive Assembly	60	<b>532 41 07-31</b>	Leaf Spring
24	532 05 78-08	Screw, Tapping, Hex Head 1/4-20 x .75	61	<b>532 41 27-40</b>	Movable Dog Left
25	<b>532 40 48-38</b>	Drive Pawl	62	<b>532 41 27-42</b>	Gear 28 Teeth
27	<b>532 40 48-45</b>	Pinion	63	<b>532 41 27-41</b>	Pin
28	812 00 00-58	E-Ring 7/16	64	<b>532 41 27-43</b>	Movable Dog Right
29	532 18 94-03	Cover, Dust, Wheel	65	<b>532 41 27-44</b>	Fixed Dog Right
32	<b>532 41 37-23</b>	Wheel & Tire Assembly, Rear, Driven 8 x 2	66	532 19 17-30	Nut
33	532 40 91-48	Nut, Hex, Flangelock	67	<b>532 41 27-43</b>	Long Output Shaft
35	<b>532 41 09-22</b>	Shaft Assembly, Rear	68	<b>532 41 24-46</b>	Pin
36	532 41 09-33	Shaft Assembly, Front	69	<b>532 41 27-47</b>	Bottom Case
			70	<b>532 18 35-13</b>	Screw

**NOTE:** All component dimensions given in U.S. inches. 1 inch = 25.4 mm

**IMPORTANT:** Use only Original Equipment Manufacturer (O.E.M.) replacement parts. Failure to do so could be hazardous, damage your lawn mower and void your warranty.