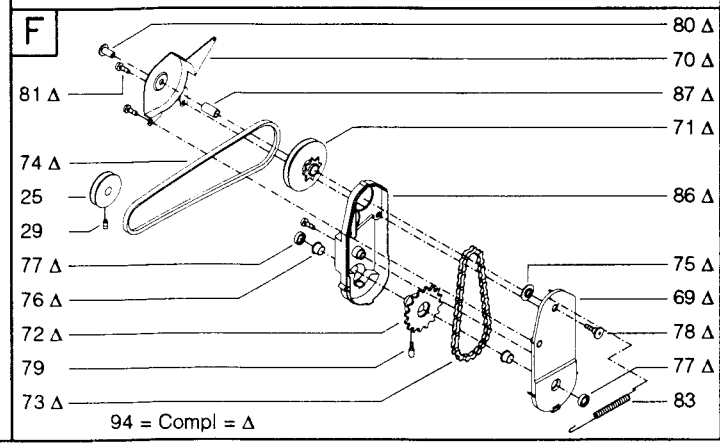
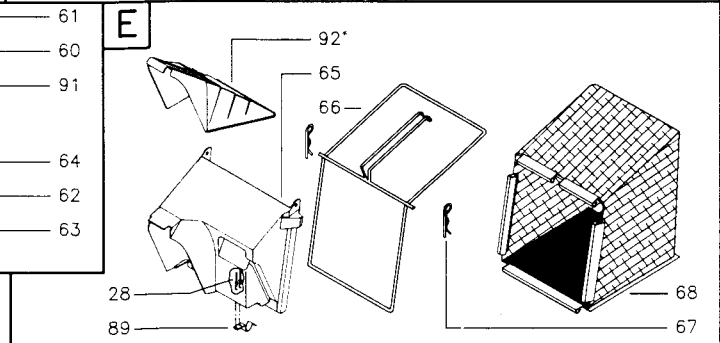
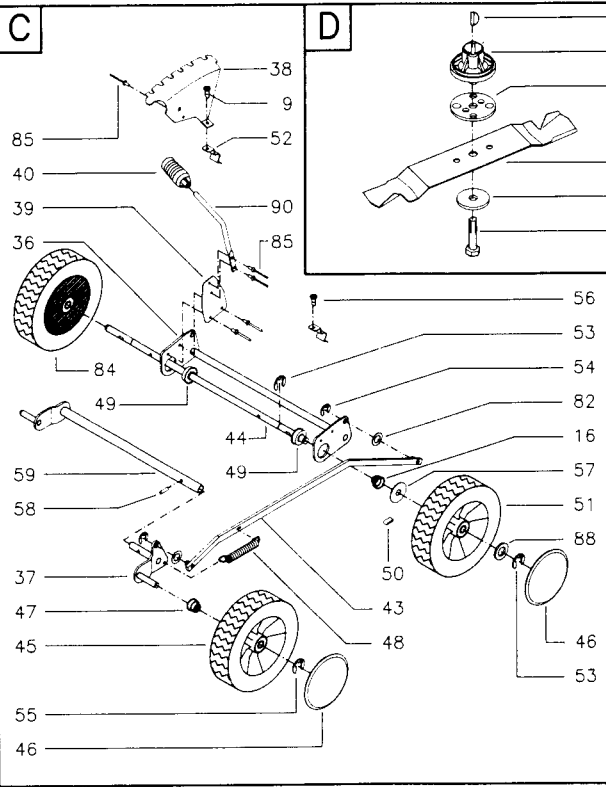
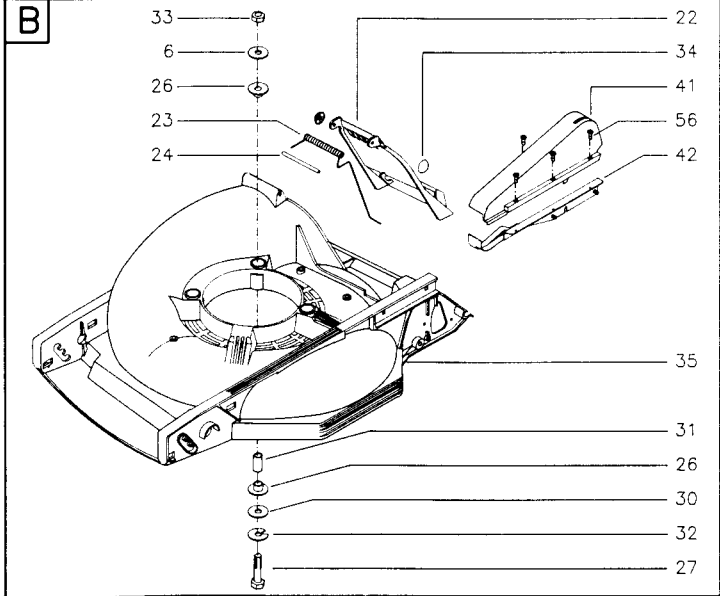
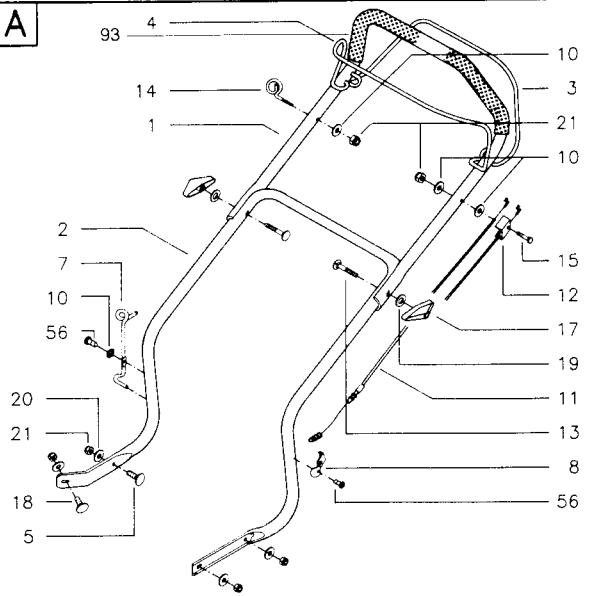


| Pos | Ruta | Ref. nr. | Pos | Ruta | Ref. nr. |
|-----|------|--------------|-----|-------|--------------|
| 1 | A | 516 80 93-25 | 51 | C | 517 81 00-21 |
| 2 | A | 516 44 81-11 | 52 | C | 516 49 93-01 |
| 3 | A | 516 63 32-12 | 53 | C | 515 11 60-21 |
| 4 | A | 516 62 19-12 | 54 | C | 516 90 51-00 |
| 5 | A | 727 63 70-01 | 55 | C | 515 11 60-38 |
| 6 | B | 515 79 60-19 | 56 | A,B,C | 516 93 07-01 |
| 7 | A | 516 62 73-01 | 57 | C | 516 93 05-01 |
| 8 | A | 516 61 87-11 | 58 | C | 721 43 38-01 |
| 9 | C | 515 74 51-26 | 59 | C | 516 71 03-01 |
| 10 | A | 734 11 53-01 | 60 | D | 531 02 06-55 |
| 11 | A | 517 81 00-38 | 61 | D | 515 11 70-01 |
| 12 | A | 517 81 00-43 | 62 | D | 515 79 60-01 |
| 13 | A | 727 64 61-01 | 63 | D | 515 12 39-31 |
| 14 | A | 516 62 71-01 | 64 | D | 531 02 01-33 |
| 15 | A | 725 23 78-51 | 65 | E | 516 86 86-00 |
| 16 | C | 515 11 84-59 | 66 | E | 516 70 24-01 |
| 17 | A | 516 85 70-12 | 67 | E | 516 51 19-01 |
| 18 | A | 727 63 68-01 | 68 | E | 516 87 77-11 |
| 19 | A | 734 11 63-01 | 69 | F | 516 86 69-11 |
| 20 | A | 516 44 91-01 | 70 | F | 516 63 18-01 |
| 21 | A | 732 21 16-01 | 71 | F | 516 86 80-00 |
| 22 | B | 516 86 74-12 | 72 | F | 516 87 72-00 |
| 23 | B | 516 50 66-01 | 73 | F | 515 11 30-32 |
| 24 | B | 516 44 85-01 | 74 | F | 531 02 06-62 |
| 25 | F | 516 61 74-00 | 75 | F | 515 13 97-54 |
| 26 | B | 516 85 10-00 | 76 | F | 516 92 97-00 |
| 27 | B | 725 24 69-51 | 77 | F | 516 93 33-00 |
| 28 | E | 516 91 26-00 | 78 | F | 516 93 04-01 |
| 29 | F | 728 63 66-00 | 79 | F | 516 93 39-01 |
| 30 | B | 734 11 64-41 | 80 | F | 516 93 03-01 |
| 31 | B | 516 49 53-01 | 81 | F | 729 53 67-71 |
| 32 | B | 735 11 64-01 | 82 | C | 516 93 20-00 |
| 33 | B | 732 21 18-01 | 83 | C | 516 61 91-01 |
| 34 | B | 516 92 25-00 | 84 | C | 517 81 00-22 |
| 35 | B | 517 77 02-83 | 85 | C | 516 92 38-00 |
| 36 | C | 516 71 00-01 | 86 | F | 516 86 95-11 |
| 37 | C | 516 71 02-01 | 87 | F | 516 93 37-04 |
| 38 | C | 516 61 71-11 | 88 | C | 516 44 07-01 |
| 39 | C | 516 61 73-01 | 89 | E | 516 62 10-01 |
| 40 | C | 516 86 83-12 | 90 | C | 516 62 94-01 |
| 41 | B | 516 88 57-11 | 91 | D | 516 43 87-01 |
| 42 | B | 516 71 32-00 | 92 | E | 997 00 85-15 |
| 43 | C | 516 70 99-01 | 93 | A | 516 88 40-09 |
| 44 | C | 516 62 72-01 | 94 | F | 516 80 90-00 |
| 45 | C | 516 82 70-09 | | | |
| 46 | C | 516 85 49-12 | | | |
| 47 | C | 516 43 68-01 | | | |
| 48 | C | 516 49 97-01 | | | |
| 49 | C | 516 93 02-00 | | | |
| 50 | C | 516 91 00-00 | | | |



* TILLBEHÖR/ACCESSORIES/ZUBEHÖR/ACCESSOIRES/ACCESORIOS

Prod. No: 994 63 27-10
 Engine: B & S 98982 Type: 0396 Trim: 01

SPAREPARTS
 107 26 24-64

5

146 CD