

ILLUSTRATED PARTS BREAKDOWN

PARTNER

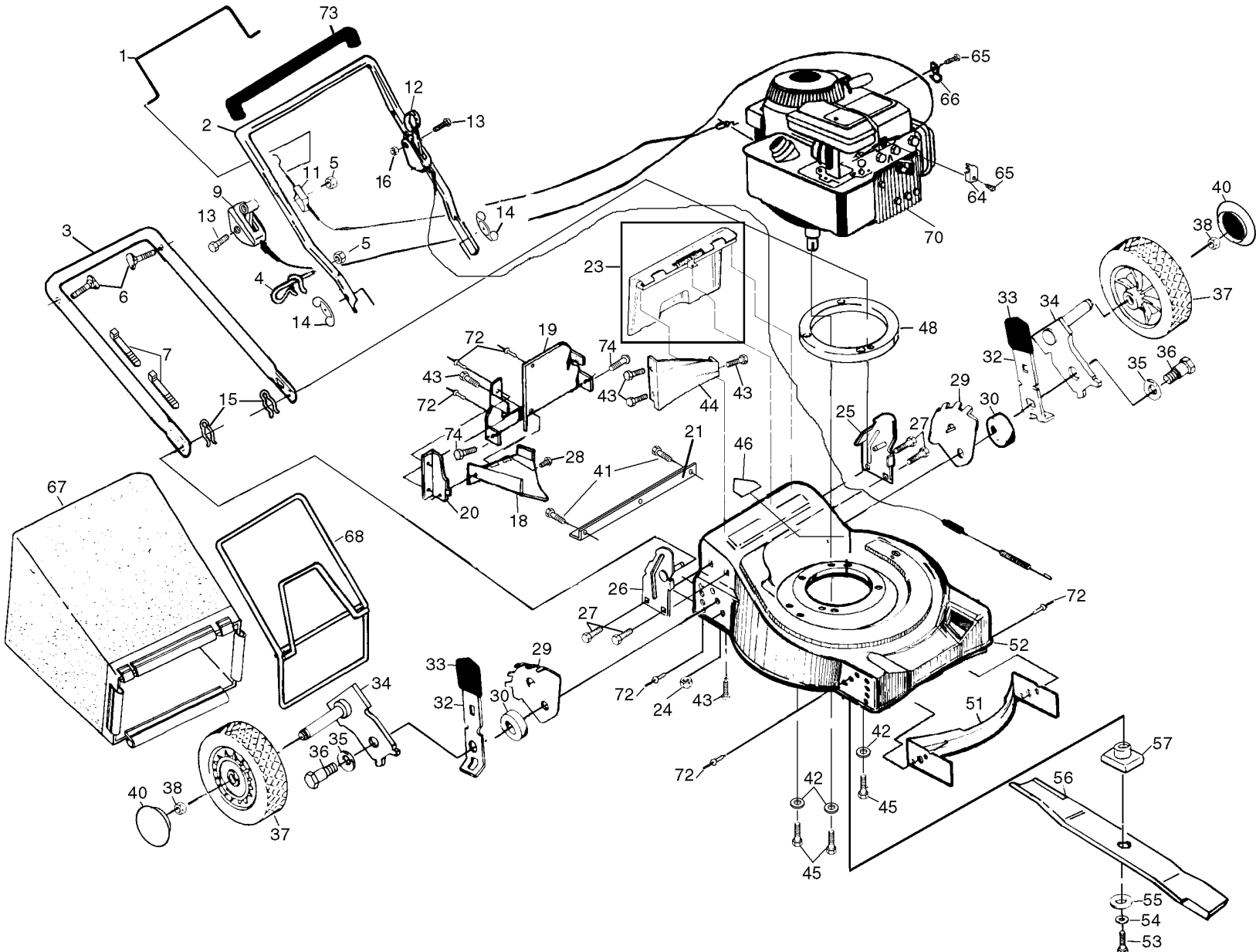
20" ROTARY LAWN MOWER

MODEL NO. 150D (P150DTJ)

954 06 88-02

REPAIR PARTS

20" ROTARY LAWN MOWER MODEL NO. 150D (P150DTJ), PRODUCT NO. 954 06 88-02



REPAIR PARTS

20" ROTARY LAWN MOWER MODEL NO. 150D (P150DTJ), PRODUCT NO. 954 06 88-02

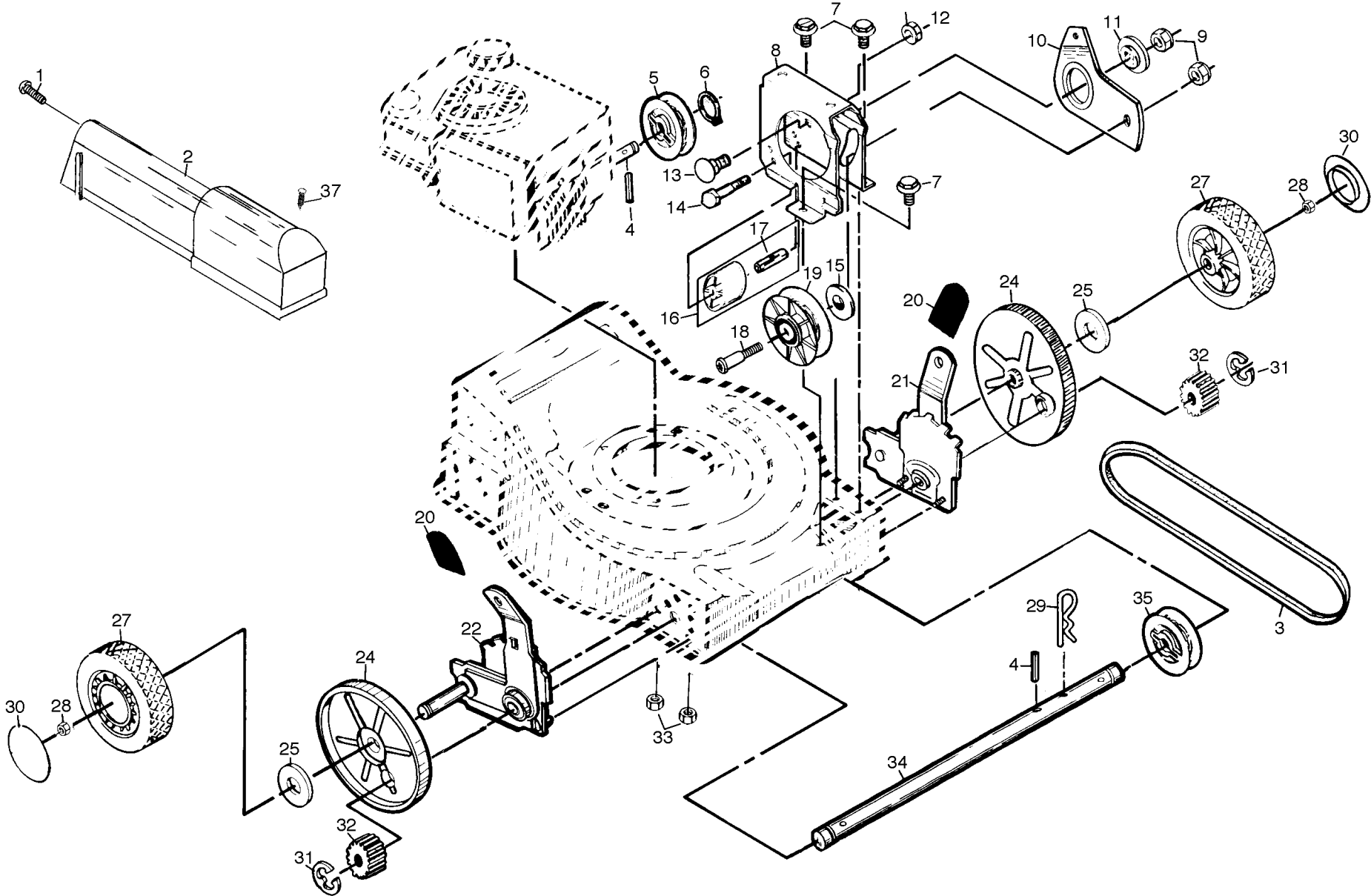
KEY NO.	PART NO.	DESCRIPTION	KEY NO.	PART NO.	DESCRIPTION
1	532146771	Control Bar	42	532053998	Flat Washer
2	532167121	Upper Handle	43	532054583	Hex Tapping Screw 1/4-20 x 1/2
3	532155044	Lower Handle	44	532125035	Rear Baffle
4	532132001	Rope Guide	45	532850999	Hex Head Thread Rolling Screw 3/8-16 x 2
5	532063601	Locknut 1/4-20	46	532145494	Danger Decal
6	532131959	Handle Bolt	48	532850988	Engine Spacer (Includes Key #49)
7	532066426	Wire Tie	51	532165545	Front Baffle
9	532851462	Throttle Control	52	532163897	Housing Assembly (Incl. Ref. #46)
11	532130861	Engine Zone Control Cable	53	532851084	Hex Head Bolt 3/8-24 x 1-3/8 Grd. 8
12	532146392	Drive Control Cable	54	532850263	Helical Lock Washer
13	532158755	Hex Head Machine Screw 1/4-20 x 2.1	55	532851074	Hardened Washer
14	532128638	Wing Nut	56	532850972	20" Blade
15	532051793	Hairpin Cotter	57	532851514	Blade Adapter
16	532751152	Locknut 1/4-20	64	532111190	* Cable Clamp
18	532125378	Discharge Baffle	65	532083816	Screw #10 x 5/8
19	532162473	Back Plate	66	532087930	Cable Clip
20	532138866	Side Baffle	67	532149867	Grass Bag
21	532147625	Footguard	68	532149555	Catcher Frame
23	532147613	Rear Door Assembly Kit	70	-----	* Engine - Briggs/Stratton Model No. 98982
24	532751592	Locknut 3/8-16			Order parts from engine manufacturer
25	532153030	Handle Bracket Assembly (Left)	72	532128415	Pop Rivet
26	532153029	Handle Bracket Assembly (Right)	73	532155891	Handle Grip
27	532150078	Screw 5/16-18 x 3/4	74	532088652	Screw
28	532150050	Hex Head Self-tapping Screw #10-24 x 1/2	75	532145669	Cable Guide
29	532139901	Wheel Adjusting Bracket	--	532163880	Operator's Manual (Scand.)
30	532146630	Spacer	--	532163879	Operator's Manual (Euro.)
32	532141730	Selector Spring	--	532800197	Noise Level Decal
33	532087877	Selector Knob	--	532140987	Logo Decal
34	532149857	Axle Arm Assembly	--	532161057	Warning Decal (Not Shown)
35	532062335	Belleville Washer			
36	532142748	Shoulder Bolt 3/8-16 x 1			
37	532148440	Wheel & Tire Assembly			
38	532083923	Locknut			
40	532077400	Hubcap			
41	532146694	Hex Tapping Screw 1/4-20			

Available accessories not included with mower:

- MA36 Chute Deflector
- MK20FRD Mulcher Kit

REPAIR PARTS

20" ROTARY LAWN MOWER - - MODEL NO. 150D (P150DTJ), PRODUCT NO. 954 06 88-02



REPAIR PARTS

20" ROTARY LAWN MOWER - - MODEL NO. 150D (P150DTJ), PRODUCT NO. 954 06 88-02

KEY NO.	PART NO.	DESCRIPTION	KEY NO.	PART NO.	DESCRIPTION
1	532141912	Hex Washer Head Screw #10-24 x 1.13	20	532087877	Selector Knob
2	532154049	Drive Cover	21	532152018	Selector Assembly (Left)
3	532111924	Drive Belt	22	532152019	Selector Assembly (Right)
4	532164795	Drive Pawl	24	532088080	Dust Cover
5	532088043	Drive Pulley	25	532067725	Washer
6	812000030	Retaining Ring	27	532850690	Wheel & Tire Assembly
7	532054583	Screw 1/4-20 x 1/2	28	532145212	Locknut
8	532125246	Clutch Frame	29	532085179	Clip Retainer
9	532050962	Locknut 1/4-20	30	532077400	Hubcap
10	532141429	Clutch Lever	31	812000058	E-Ring
11	532088067	Clutch Lever Spacer	32	532137054	Pinion
12	532750253	Locknut 5/16-18	33	532063601	Locknut 1/4-20
13	872070504	Carriage Bolt 5/16-18 x 1/2	34	532700537	Drive Shaft
14	874350424	Hex Head Screw 1/4-20 x 1-1/2	35	532088082	Driven Pulley
15	532088069	Spacer	37	532701477	Push Fastener
16	532048160	Idler Assembly (Includes Key No. 17)	--	532852000	"Clean Under" Decal
17	532088576	Idler Spacer			
18	532088517	Shoulder Bolt 5/16-18 x 1-3/8			
19	532088516	Idler Pulley			