

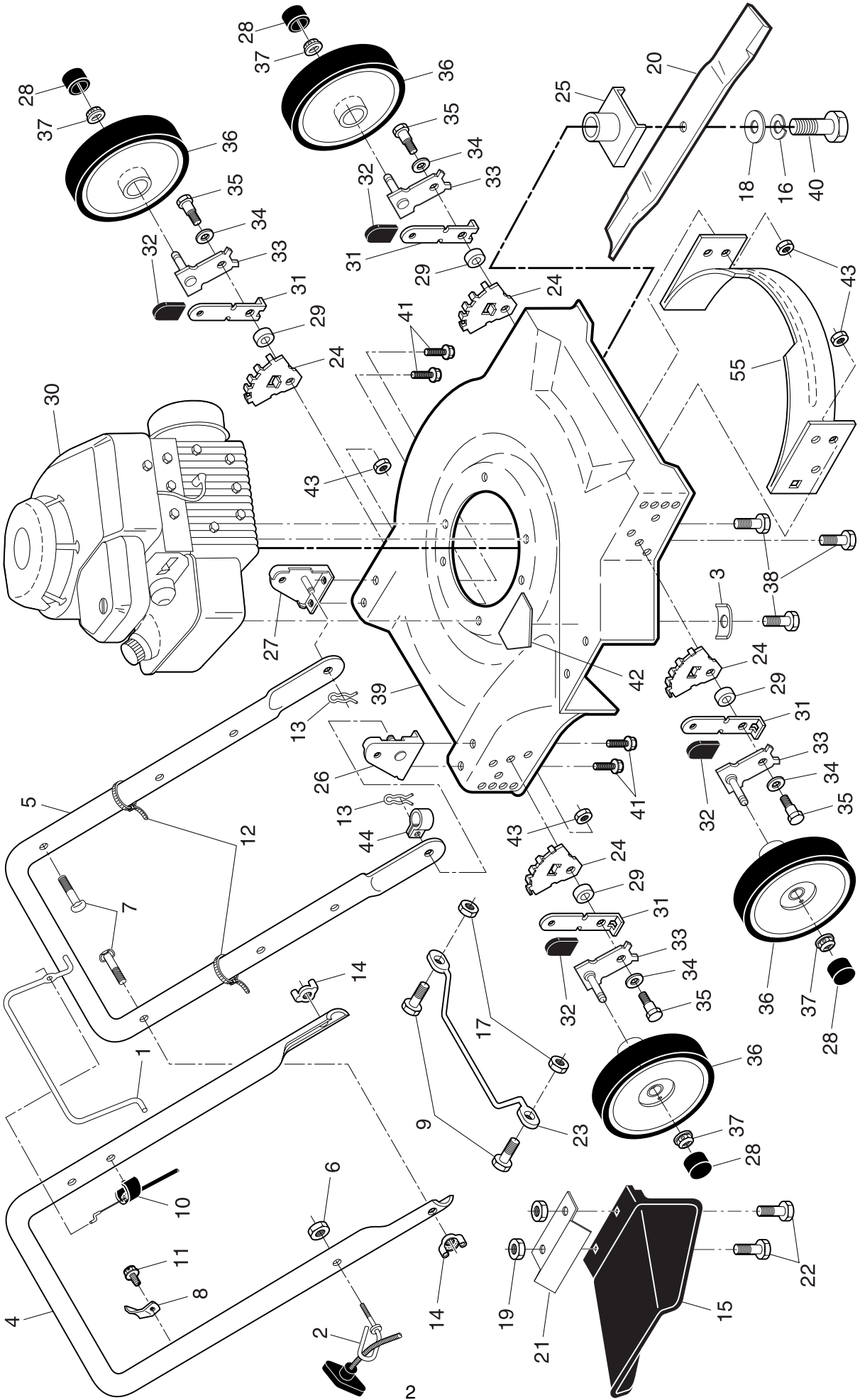
ILLUSTRATED PARTS LIST

CUSTOMER MODEL NUMBER P350QS

PRODUCT NUMBER 961 11 00-07

MFG. ID. NUMBER 96111000700

ROTARY LAWN MOWER -- CUSTOMER MODEL NUMBER P350QS (96111000700) PRODUCT NO. 961 11 00-07



ROTARY LAWN MOWER - - CUSTOMER MODEL NUMBER P350QS (96111000700) PRODUCT NO. 961 11 00-07

KEY NO.	PART NO.	DESCRIPTION	KEY NO.	PART NO.	DESCRIPTION
1	532 19 60-25	Control Bar	25	532 85 09-77	Blade Adapter
2	532 17 95-85	Rope Guide	26	532 17 09-75	Handle Bracket Assembly, RH
3	532 12 50-78	Engine Washer	27	532 17 09-77	Handle Bracket Assembly, LH
4	532 19 60-26	Upper Handle	28	532 80 00-90	Hubcap
5	532 15 50-44	Lower Handle	29	532 14 66-30	Spacer
6	873 80 04-00	Nut, Hex	30	- - -	Engine, Briggs & Stratton, Model Number 9D902 (order parts from engine manufacturer)
7	532 19 15-74	Handle Bolt 5/16-18 x 1-3/4	31	532 14 17-30	Selector Spring
8	532 12 52-03	Up-Stop Bracket	32	532 08 78-77	Selector Knob
9	532 08 58-25	Screw	33	532 14 98-57	Axle Arm Assembly
10	532 16 27-78	Engine Zone Control Cable	34	532 06 23-35	Belleville Washer
11	532 75 06-34	Nut, Hex	35	532 14 27-48	Shoulder Bolt
12	532 06 64-26	Wire Tie	36	532 80 00-60	Wheel & Tire Assembly
13	532 05 17-93	Hairpin Cotter	37	532 08 39-23	Nut, Hex
14	532 12 86-38	Wing Nut, Steel	38	532 15 04-06	Hex Head Thread Rolling Screw 3/8-16 x 1-1/8
15	532 75 20-52	Discharge Guard	39	532 19 04-38	Lawn Mower Housing
16	532 85 02-63	Helical Lockwasher 3/8	40	532 85 10-84	Hex Head Screw 3/8-24 x 1-3/8 Grade 8
17	532 06 91-80	Nut, Hex	41	532 14 97-41	Thread Cutting Screw 5/16-18 x 3/4
18	532 85 10-74	Hardened Washer	42	532 18 21-66	Danger Decal
19	532 13 20-04	Nut, Hex	43	532 75 15-92	Locknut, Hex 3/8-16
20	532 14 51-06	Blade, 20"	44	532 19 27-70	Clip, Cable
21	532 16 22-34	Hold Down Bracket	45	532 14 15-19	Front Baffle
22	874 76 04-12	Bolt	- -	532 14 15-20	Rear Baffle (not shown)
23	532 15 41-47	Footguard	- -	532 19 56-91	Operator's Manual, European
24	532 13 99-01	Wheel Adjusting Bracket	- -	532 19 56-92	Operator's Manual, Scandinavian

NOTE: All component dimensions given in U.S. inches. 1 inch = 25.4 mm. **IMPORTANT:** Use only Original Equipment Manufacturer (O.E.M.) replacement parts. Failure to do so could be hazardous, damage your lawn mower and void your warranty.