



# ***PARTNER***

<b>SERVICE</b> 		<b>5</b>
		<b>350</b>

IPL,350, P350RTK, 2001-03,107 27 44-63

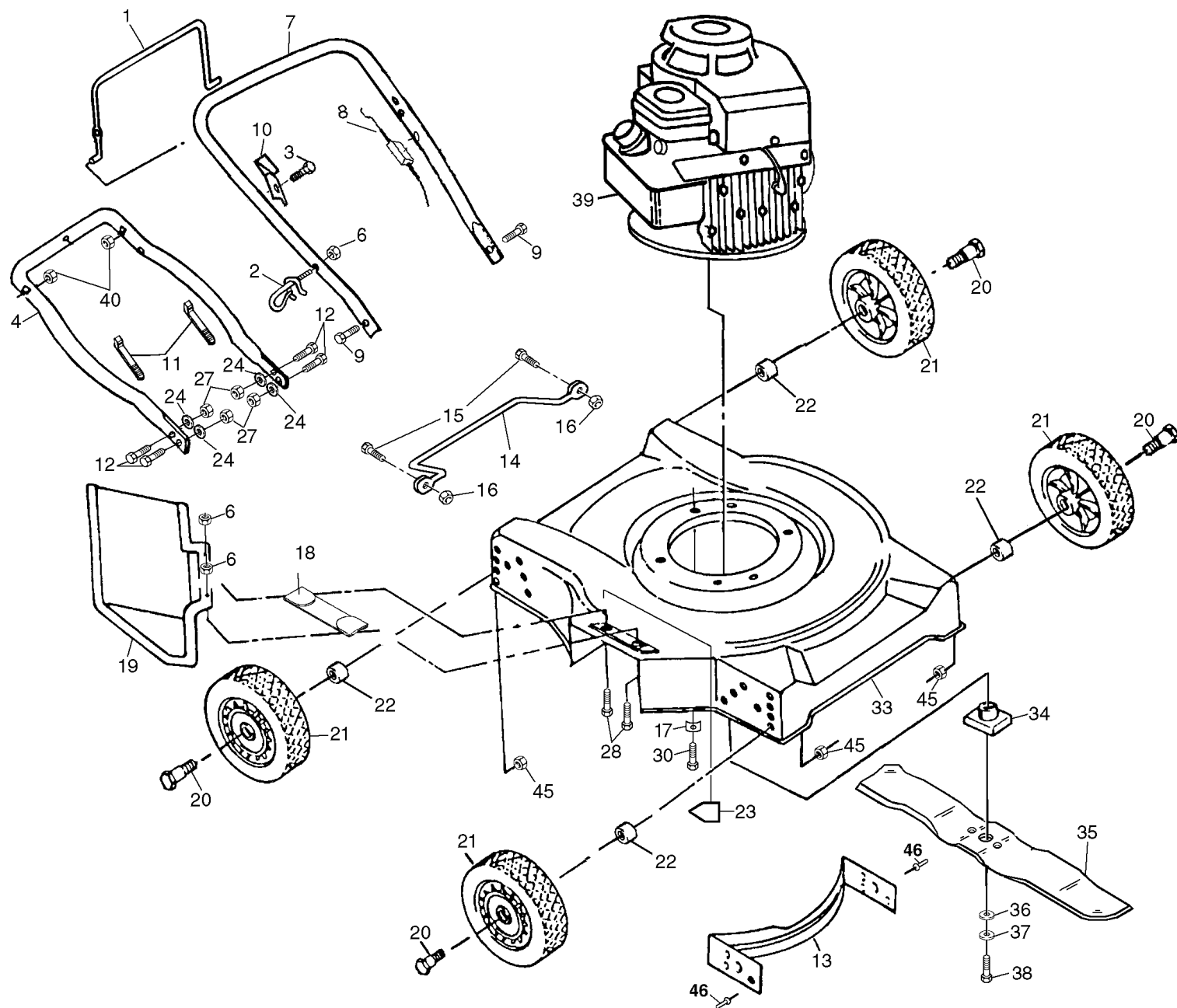
Product no : 954 06 77-02 Engine: B&S Classic 3.5 9D902-2087-B1

# **350**

**Spare Parts**  
**Ersatzteile**  
**Pièces détachées**  
**Reserve onderdelen**  
**Respuestot**  
**Reservedelar**

# REPAIR PARTS

LAWN MOWER - - MODEL NO. 350 (P350RTK), PRODUCT NO. 954 06 77-02



# REPAIR PARTS

## LAWN MOWER - - MODEL NO. 350 (P350RTK), PRODUCT NO. 954 06 77-02

KEY NO.	PART NO.	DESCRIPTION	KEY NO.	PART NO.	DESCRIPTION
1	532086902	Control Bar	21	532800060	Wheel Assembly
2	532132001	Rope Guide	22	532136624	Spacer Washer
3	532750097	Hex Washer Head Self-tapping Screw #10-24 x 1/2	23	532145494	Danger Decal
4	532173542	Lower Handle	24	532055611	Washer
6	532063601	Locknut 1/4-20	27	532132010	Flange Locknut 3/8-16
7	532173541	Upper Handle	28	874760412	Hex Head Bolt 1/4-20 x 3/4
8	532163799	Engine Zone Control Cable	30	532150406	Hex Head Thread Rolling Screw 3/8-16 x 1
9	874350424	Hex Head Bolt 1/4-20 x 1-1/2	33	532163347	Housing
10	532125203	Up-Stop Bracket	34	532850977	Blade Adapter
11	532066426	Wire Tie	35	532145106	Blade 20"
12	532137009	Hex Head Bolt 3/8-16 x 1	36	532851074	Washer (Hardened)
13	532141519	Front Baffle	37	532850263	Helical Lock Washer
14	532154147	Foot Guard	38	532851084	Hex Head Machine Screw 3/8-24 x 1-3/8 Gr. 8
15	532085825	Screw	39	-----	* Engine, Briggs & Stratton Model No. 9D902 Order parts from engine manufacturer
16	532069180	Nut	40	532132004	Hex Nut 1/4-20
17	532125078	Engine Washer	45	532751592	Locknut 5/8- 16
18	532162234	Deflector Bracket	46	532128415	Pop Rivet
19	532752052	Discharge Guard	--	532173544	Operator's Manual (Scand.)
20	532067609	Shoulder Bolt	--	532173543	Operator's Manual (Euro.)
			--	532141520	Rear Baffle (not shown)