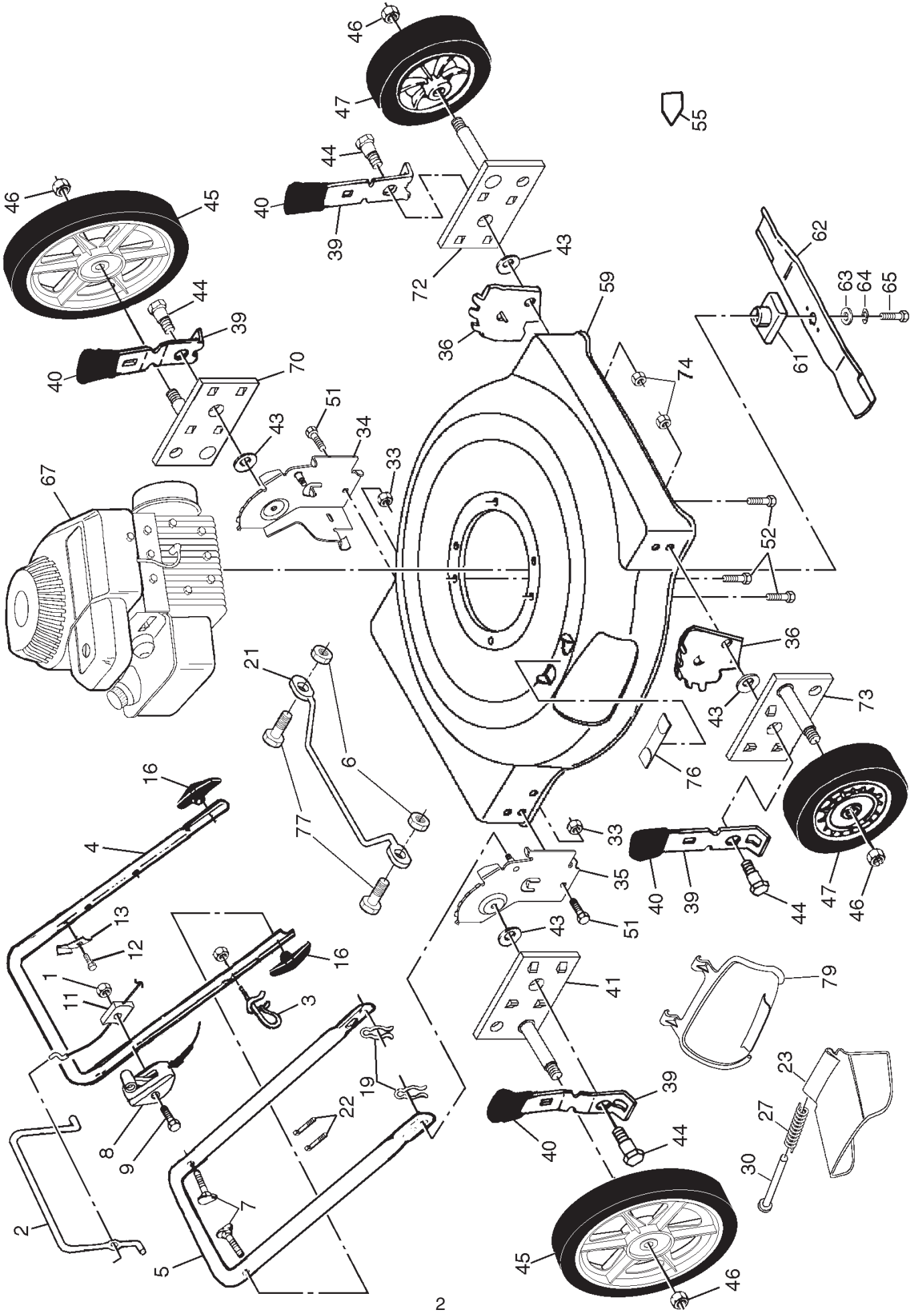


ILLUSTRATED PARTS BREAKDOWN

**PARTNER
4.0 HORSEPOWER
22" SIDE-DISCHARGE LAWN MOWER
MODEL NUMBER P4056SB (P4056SBA)
964 77 53-01**

ROTARY LAWN MOWER -- MODEL NUMBER P4056SB (P4056SBA) PRODUCT NUMBER 964 77 53-01



ROTARY LAWN MOWER - - MODEL NUMBER P4056SB (P4056SBA) PRODUCT NUMBER 964 77 53-01

KEY NO.	PART NO.	DESCRIPTION
2	532 18 14-56	Control Bar
3	532 17 95-85	Rope Guide
4	532 17 42-06	Upper Handle
5	532 17 42-91	Lower Handle
6	532 06 91-80	Locknut 1/4-20
7	532 13 19-59	Handle Bolt 5/16-18
8	532 17 42-21	Throttle Control
9	532 18 33-65	Screw
10	532 11 11-90	Clamp
11	532 85 16-71	Engine Zone Control Cable
12	532 75 06-34	Hex Thread Rolling Screw #10-24 x 1/2
13	532 12 51-62	Up-Stop Bracket
14	532 08 38-16	Screw
16	532 19 13-90	Handle Knob
19	532 05 17-93	Hairpin Cotter
21	532 15 41-47	Footguard
22	532 06 64-26	Wire Tie
23	532 16 08-31	Discharge Guard
27	532 16 08-32	Torsion Spring
30	532 16 08-33	Hinge Rod
33	873 80 05-00	Locknut 5/16-18
34	532 17 44-13	Wheel Bracket Support, LH
35	532 17 44-14	Wheel Bracket Support, RH
36	532 16 57-04	Wheel Bracket Adjuster
39	532 16 85-99	Selector Spring
40	532 17 01-43	Selector Knob
41	532 18 36-62	Axle Arm Assembly, RR
43	532 18 39-01	Washer

KEY NO.	PART NO.	DESCRIPTION
44	532 16 08-28	Shoulder Bolt
45	532 18 13-83	Wheel Assembly, Rear
46	532 08 39-23	Locknut 1/16-18
47	532 17 02-62	Wheel Assembly, Front
51	874 76 05-14	Hex Head Bolt 5/16-18 x 3/4
52	532 1504-06	Hex Head Thread Rolling Screw 3/8-16 x 1
55	532 1821-66	Danger Decal
59	532 1852-63	Lawn Mower Housing (Includes Key Number 55)
61	532 8515-14	Blade Adapter
62	532 1411-14	22" Blade
63	532 8510-74	Hardened Washer
64	532 8502-63	Helical Lockwasher 3/8
65	532 8510-84	Hex Head Screw 3/8-24 x 1/4 Grade 8
67	---	Engine, Briggs & Stratton, Model Number 10K902 (Order parts from engine manufacturer)
70	532 18 36-61	Axle Arm Assembly, LR
72	532 18 92-77	Axle Arm Assembly, LF
73	532 18 92-78	Axle Arm Assembly, RF
74	532 16 67-85	Nut, Hex
75	532 16 08-30	Plate, Mulcher
76	532 16 16-22	Clip, Closeout
77	532 08 58-25	Hex Head Screw 1/4
80	532 13 20-04	Nut, Hex
--	532 18 21-91	Warning Decal (not shown)
--	532 19 03-67	Operator's Manual, European
--	532 19 03-69	Operator's Manual, Scandinavian

NOTE: All component dimensions given in U.S. inches.
1 inch = 25.4 mm