

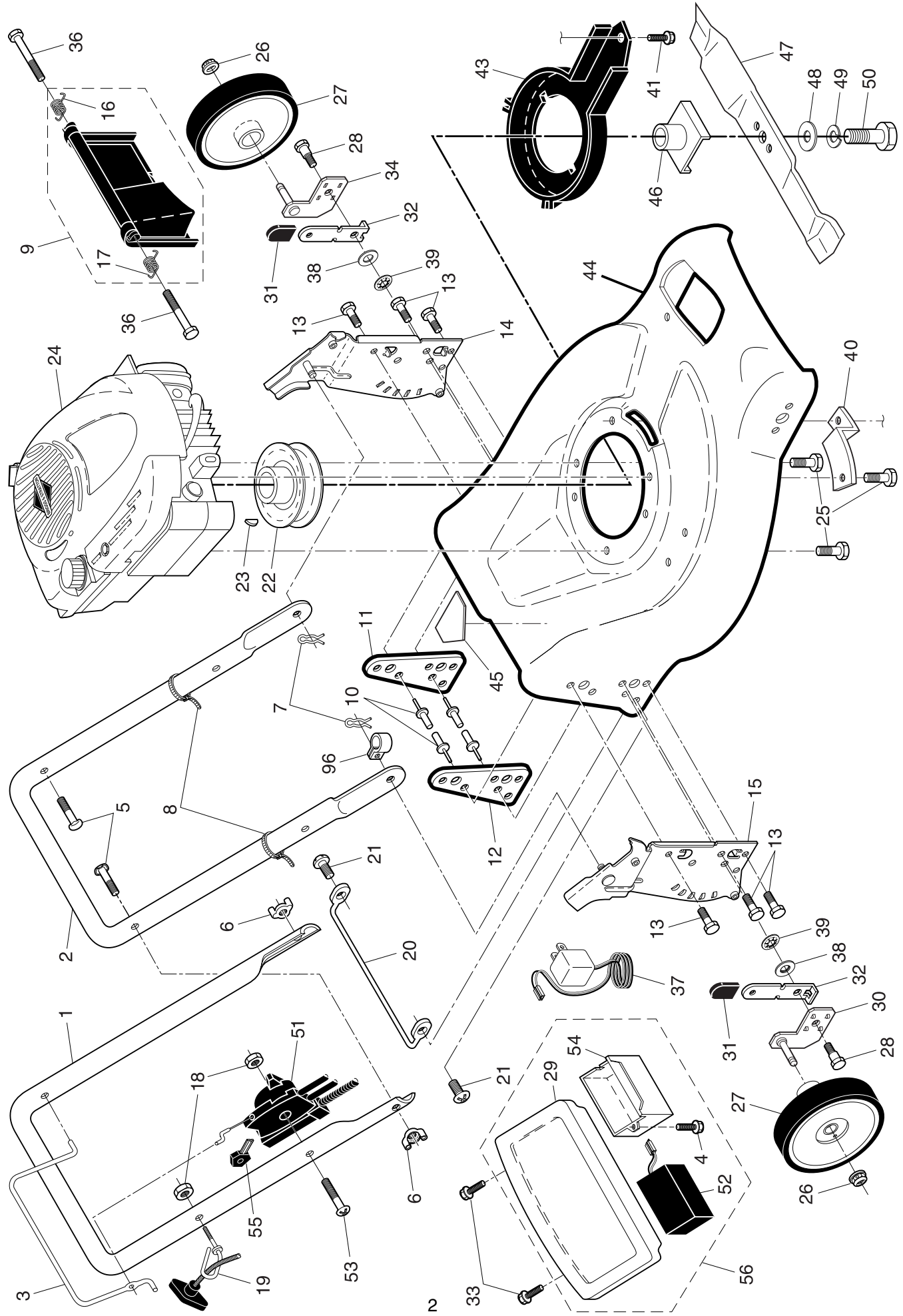
ILLUSTRATED PARTS LIST

CUSTOMER MODEL NUMBER P5051CME

PRODUCT NUMBER 961 41 00-11

MFG. ID. NUMBER 96141001100

ROTARY LAWN MOWER -- CUSTOMER MODEL NO. P5051CME (96141001100) PRODUCT NO. 961 41 00-11

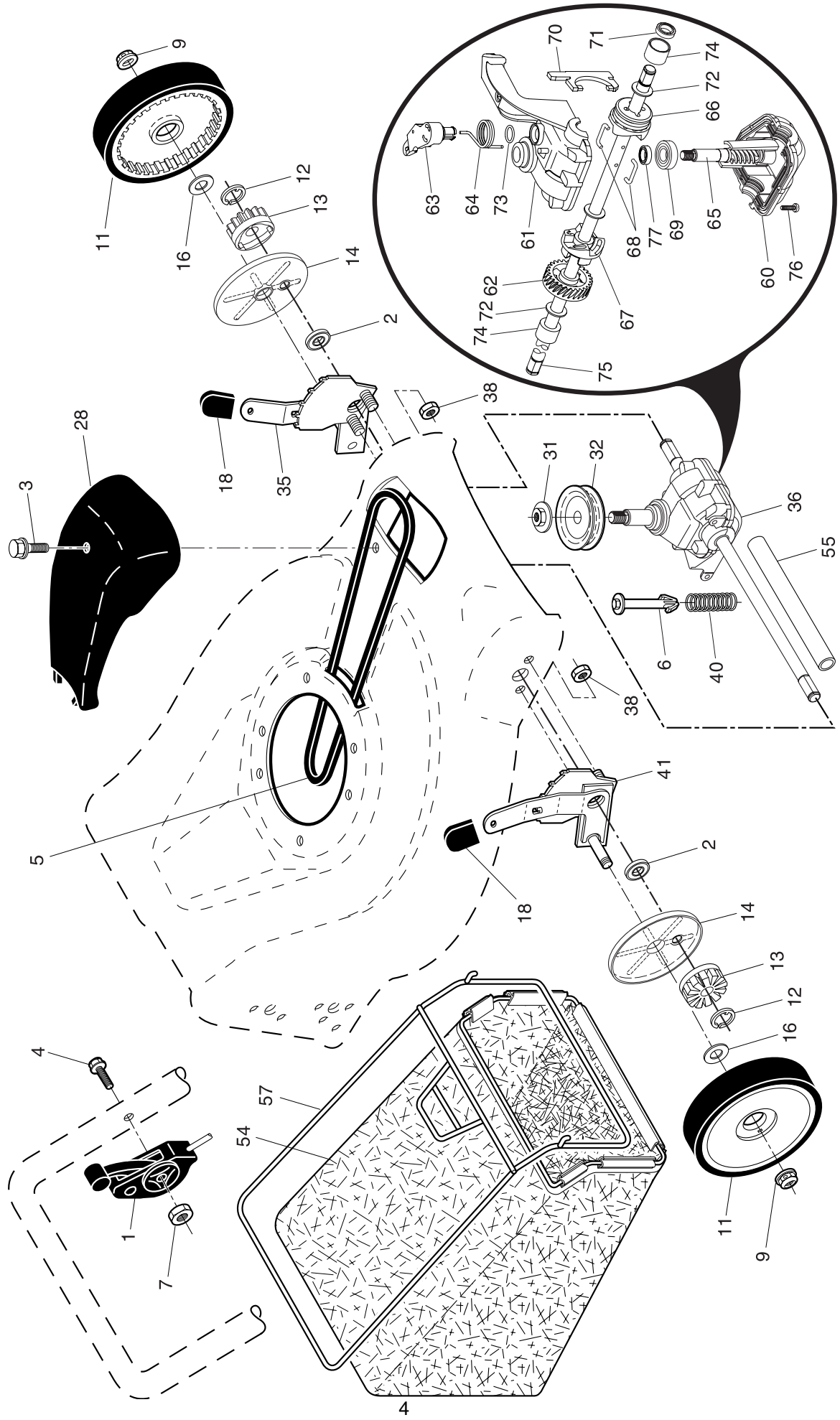


ROTARY LAWN MOWER - - CUSTOMER MODEL NO. P5051CME (96141001100) PRODUCT NO. 961 41 00-11

KEY NO.	PART NO.	DESCRIPTION	KEY NO.	PART NO.	DESCRIPTION
1	532 19 25-17	Upper Handle	30	532 19 54-35	Axle Arm Assembly, Rear, RH
2	532 19 63-49	Lower Handle	31	532 08 78-77	Selector Knob
3	532 14 67-71	Control Bar	32	532 19 01-57	Selector Spring
4	817 41 13-08	Screw	33	532 14 18-41	Screw
5	532 19 15-74	Handle Bolt	34	532 19 54-36	Axle Arm Assembly, Rear, LH
6	532 12 86-38	Wing Nut, Steel	36	532 18 41-93	Bolt
7	532 05 17-93	Hairpin Cotter	37	532 19 24-36	Charger, Battery
8	532 06 64-26	Wire Tie	38	532 17 61-85	Washer, Step
9	532 18 04-79	Kit, Rear Door (Includes Key Numbers 16 and 17)	39	532 17 62-35	Nut, Push
10	532 12 84-15	Pop Rivet	40	532 19 09-39	Mounting Bracket, Debris Shield
11	532 18 25-38	Support Bracket, LH	41	532 19 23-25	Screw
12	532 18 25-39	Support Bracket, RH	42	532 17 55-51	Bolt, Shoulder
13	817 06 04-10	Screw 1/4-20 x 5/8	43	532 18 87-84	Debris Shield
14	532 19 01-54	Handle Bracket Assembly, LH	44	532 19 48-60	Kit, Lawn Mower Housing (Includes Key Numbers 10, 11, 12 and 45)
15	532 19 01-53	Handle Bracket Assembly, RH	45	532 18 21-66	Danger Decal
16	532 18 00-71	Spring, Rear Door, LH	46	532 18 46-32	Blade Adapter
17	532 18 00-72	Spring, Rear Door, RH	47	532 17 50-52	Blade, 21"
18	532 13 20-04	Keps Locknut 1/4-20	48	532 85 10-74	Hardened Washer
19	532 17 95-85	Rope Guide	49	532 85 02-63	Helical Washer 3/8-24 x 1-3/8 Grade 8
20	532 17 92-05	Foot Guard	50	532 85 10-84	Hex Head Machine Screw 3/8-24 x 1-3/8 Grade 8
21	532 05 48-53	Hinge Screw 1/4-20 x 1-1/4	51	532 18 96-86	Control, Combi-Key
22	532 18 49-41	Pulley, Engine	52	532 18 95-89	Battery
23	532 18 77-23	Key, Hi-Pro	53	532 18 61-59	Screw
24	---	Engine, Briggs & Stratton, Model Number 12F805 (order parts from engine manufacturer)	54	532 18 62-37	Box, Battery
25	532 15 04-06	Hex Head Thread Rolling Screw 3/8-16 x 1-1/8	55	532 18 03-31	Key
26	532 08 39-23	Hex Flange Nut	56	532 19 12-52	Trimplate, Battery & Battery Box Assembly
27	532 19 48-55	Wheel & Tire Assembly	96	532 19 27-70	Clip, Cable
28	532 18 93-12	Shoulder Bolt 5/16-18 x .33	--	532 18 21-34	Warning Decal (not shown)
29	532 18 61-53	Trimplate Assembly	--	532 19 56-43	Operator's Manual, European
			--	532 19 56-44	Operator's Manual, Scandinavian

NOTE: All component dimensions given in U.S. inches. 1 inch = 25.4 mm. **IMPORTANT:** Use only Original Equipment Manufacturer (O.E.M.) replacement parts. Failure to do so could be hazardous, damage your lawn mower and void your warranty.

ROTARY LAWN MOWER -- CUSTOMER MODEL NO. P5051CME (96141001100) PRODUCT NO. 961 41 00-11



ROTARY LAWN MOWER - - CUSTOMER MODEL NO. P5051CME (96141001100) PRODUCT NO. 961 41 00-11

KEY NO.	PART NO.	DESCRIPTION	KEY NO.	PART NO.	DESCRIPTION
1	532 18 45-87	Drive Control Assembly (with Cable)	54	532 19 54-50	Grassbag Assembly
2	532 16 73-87	Bearing, Wheel Adjuster	55	532 17 57-39	Driveshaft Cover
3	532 17 52-62	Pan Head Tapping Screw #10-24 x 2-3/4	57	532 18 88-15	Frame, Grassbag
4	532 15 87-55	Hex Washer Head Screw 1/4-20 x 2.12	60	532 18 34-97	* Case, Lower
5	532 17 54-36	V-Belt	61	532 18 34-98	* Case, Upper
6	532 15 04-95	Spring Retainer	62	532 18 34-99	Gear, 27 Teeth
7	532 19 17-30	Nut, Hex, Flanged 1/4-20	63	532 18 35-00	Lever, Clutch
9	532 14 52-12	Locknut, Hex	64	532 18 35-01	Spring, Return
11	532 19 48-54	Wheel & Tire Assembly	65	532 18 35-02	Shaft, Input
12	812 00 00-58	E-Ring	66	532 18 35-03	Dog, Movable
13	532 13 70-54	Pinion	67	532 18 35-04	Dog, Fixed
14	532 18 94-03	Dust Cover	68	532 18 35-05	Wire, Formed
16	532 06 77-25	Washer 1/2 x 1-1/2 x .134	69	532 18 35-06	Bearing, Ball
18	532 70 10-37	Selector Knob	70	532 18 35-07	Fork, Shift
28	532 18 14-66	Drive Cover	71	532 18 35-08	Seal, Output Shaft
31	532 13 20-10	Hex Flange Nut	72	532 18 35-09	Washer
32	532 18 94-07	Drive Pulley	73	532 18 35-10	Seal, Case
35	532 15 20-18	Kit, Wheel Adjuster, LH (Includes Knob and Bearing)	74	532 18 35-11	Bushing
36	532 18 01-84	Gear Case Assembly, Complete	75	532 18 35-12	Shaft, Output
38	873 80 04-00	Locknut, Hex 1/4-20	76	532 18 35-13	Screw
40	532 13 70-90	Spring	77	532 18 35-14	Seal, Input Shaft
41	532 15 20-19	Kit, Wheel Adjuster, RH (Includes Knob and Bearing)			

* Use Dow Corning #709 to reseal Gear Case Halves.

NOTE: All component dimensions given in U.S. inches. 1 inch = 25.4 mm. **IMPORTANT:** Use only Original Equipment Manufacturer (O.E.M.) replacement parts. Failure to do so could be hazardous, damage your lawn mower and void your warranty.