

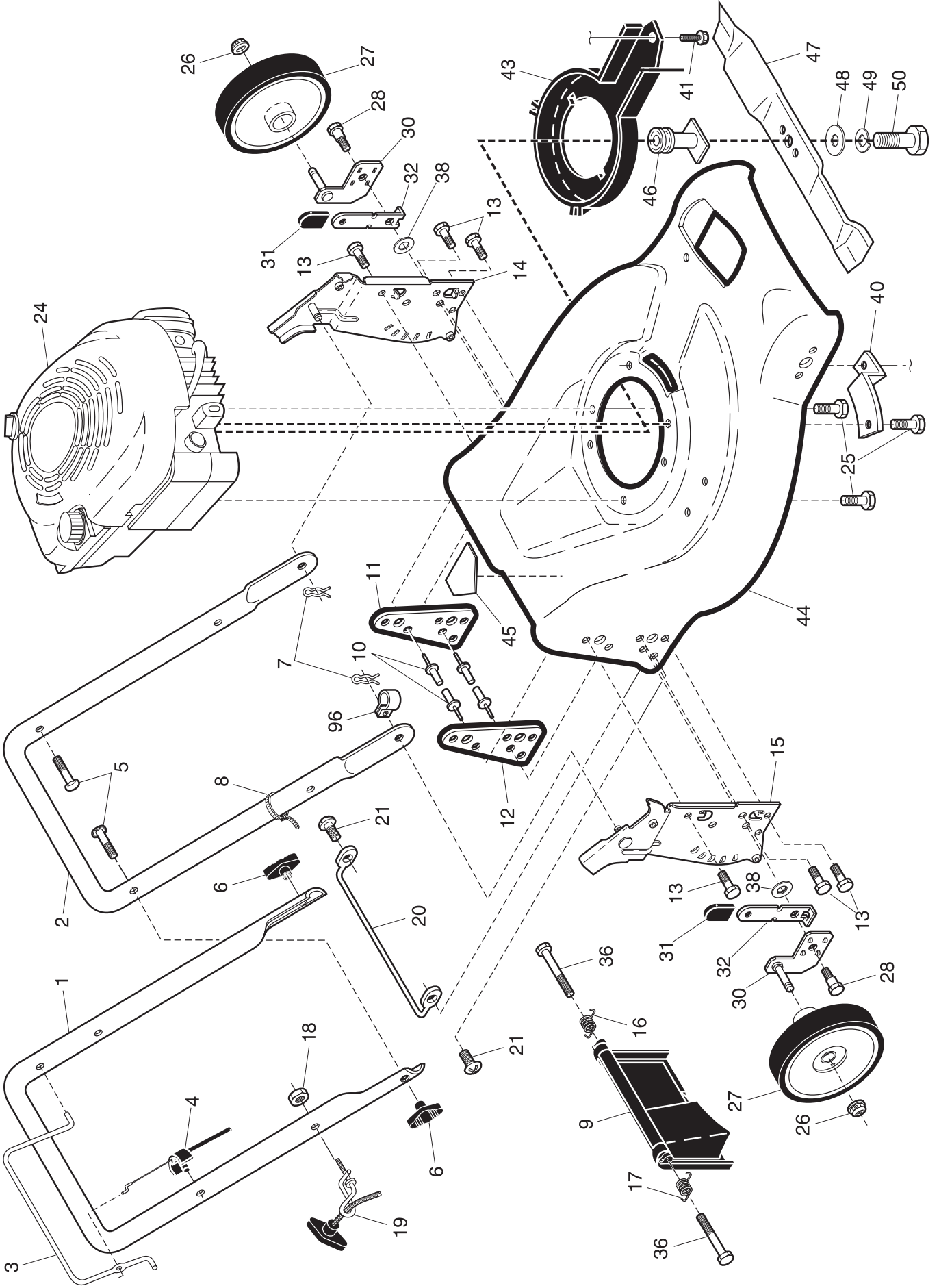
# ILLUSTRATED PARTS LIST

**MODEL NUMBER P5551CMD**

**PRODUCT NUMBER 961 41 00-77**

**MFG. ID. NUMBER 96141007703**

ROTARY LAWN MOWER -- MODEL NUMBER P5551CMD (96141007703) PRODUCT NUMBER 961 41 00-77



**ROTARY LAWN MOWER - - MODEL NUMBER P5551CMD (96141007703) PRODUCT NUMBER 961 41 00-77**

KEY PART NO. NO.	DESCRIPTION	KEY PART NO. NO.	DESCRIPTION
1	532 40 29-37 Upper Handle	25	532 15 04-06 Hex Head Thread Rolling Screw 3/8-16 x 1-1/8
2	532 15 36-05 Lower Handle	26	532 40 91-08 Hex Flange Nut
3	532 19 00-60 Control Bar	27	532 40 61-55 Wheel & Tire Assembly
4	532 18 35-67 Engine Zone Control Cable	28	532 40 16-38 Shoulder Bolt 5/16-18 x .33
5	532 19 15-74 Handle Bolt	30	532 41 21-74 Axle Arm Assembly, Rear
6	532 19 18-56 Handle Knob	31	532 08 78-77 Selector Knob
7	532 05 17-93 Hairpin Cotter	32	532 41 08-88 Selector Spring
8	532 06 64-26 Wire Tie	36	532 18 41-93 Bolt, Hex Head
9	532 40 69-85 Rear Door	38	532 40 16-30 Washer
10	532 12 84-15 Pop Rivet	40	532 19 09-39 Mounting Bracket, Debris Shield
11	532 41 05-40 Support Bracket, LH	41	532 19 23-25 Screw
12	532 41 05-42 Support Bracket, RH	43	532 40 58-45 Debris Shield
13	817 06 04-10 Screw 1/4-20 x 5/8	44	532 40 93-64 Kit, Lawn Mower Housing
14	532 19 01-54 Handle Bracket Assembly, LH		(Includes Key Numbers 10, 11, 12 and 45)
15	532 19 01-53 Handle Bracket Assembly, RH	45	532 18 21-66 Danger Decal
16	532 40 54-17 Spring, Rear Door, LH	46	532 40 46-33 Blade Adapter/Pulley
17	532 40 54-18 Spring, Rear Door, RH	47	532 19 93-77 Blade, 21"
18	532 13 20-04 Keps Locknut 1/4-20	48	532 85 10-74 Hardened Washer
19	532 19 47-88 Rope Guide	49	532 85 02-63 Helical Washer 3/8-24 x 1-3/8 Grade 8
20	532 41 05-36 Foot Guard, C.E.	50	532 85 10-84 Hex Head Machine Screw 3/8-24 x 1-3/8 Grade 8
21	532 05 45-83 Screw, Tapping 1/4-20 x 1/2	96	532 19 79-91 Clip, Cable
24	----- Engine, Briggs & Stratton, Model Number 128802-1958-EA (order parts from engine manufacturer)	--	532 18 21-34 Decal, Warning (not shown)
		--	532 40 97-89 Operator's Manual, Baltic
		--	532 40 97-90 Operator's Manual, Scandinavian

**NOTE:** All component dimensions given in U.S. inches. 1 inch = 25.4 mm. **IMPORTANT:** Use only Original Equipment Manufacturer (O.E.M.) replacement parts. Failure to do so could be hazardous, damage your lawn mower and void your warranty.



**ROTARY LAWN MOWER - - MODEL NUMBER P5551CMD (96141007703) PRODUCT NUMBER 961 41 00-77**

KEY PART NO. NO.	DESCRIPTION	KEY PART NO. NO.	DESCRIPTION
1	<b>532 18 45-88</b>	57	<b>532 40 18-02</b> Frame, Grassbag
2	532 19 10-39	60	532 18 34-97* Case, Lower
3	532 17 52-62	61	532 18 34-98* Case, Upper
4	<b>532 15 87-55</b>	62	532 18 34-99 Gear, 27 Teeth
5	532 17 54-36	63	532 18 35-00 Lever, Clutch
6	532 15 04-95	64	532 18 35-01 Spring, Return
7	<b>532 19 17-30</b>	65	532 18 35-02 Shaft, Input
9	532 08 39-23	66	532 18 35-03 Dog, Movable
11	532 40 29-36	67	532 18 35-04 Dog, Fixed
12	812 00 00-58	68	532 18 35-05 Wire, Formed
13	<b>532 40 38-49</b>	69	532 18 35-06 Bearing, Ball
14	532 18 94-03	70	532 18 35-07 Fork, Shift
15	532 19 10-17	71	532 18 35-08 Seal, Output Shaft
16	532 06 77-25	72	532 18 35-09 Washer
18	532 08 78-77	73	532 18 35-10 Seal, Case
28	<b>532 18 94-03</b>	74	532 18 35-11 Bushing
35	<b>532 40 88-00</b>	75	532 19 66-13 Shaft, Output
36	532 19 92-05	76	532 18 35-13 Screw
38	873 80 04-00	77	532 18 35-14 Seal, Input Shaft
40	532 13 70-90	78	532 19 98-52 Drive Pulley
41	<b>532 40 88-01</b>	79	532 19 94-19 Pin, Retaining
54	532 40 19-05		

\* Use Dow Corning #709 to reseal Gear Case Halves.

**NOTE:** All component dimensions given in U.S. inches. 1 inch = 25.4 mm. **IMPORTANT:** Use only Original Equipment Manufacturer (O.E.M.) replacement parts. Failure to do so could be hazardous, damage your lawn mower and void your warranty.