

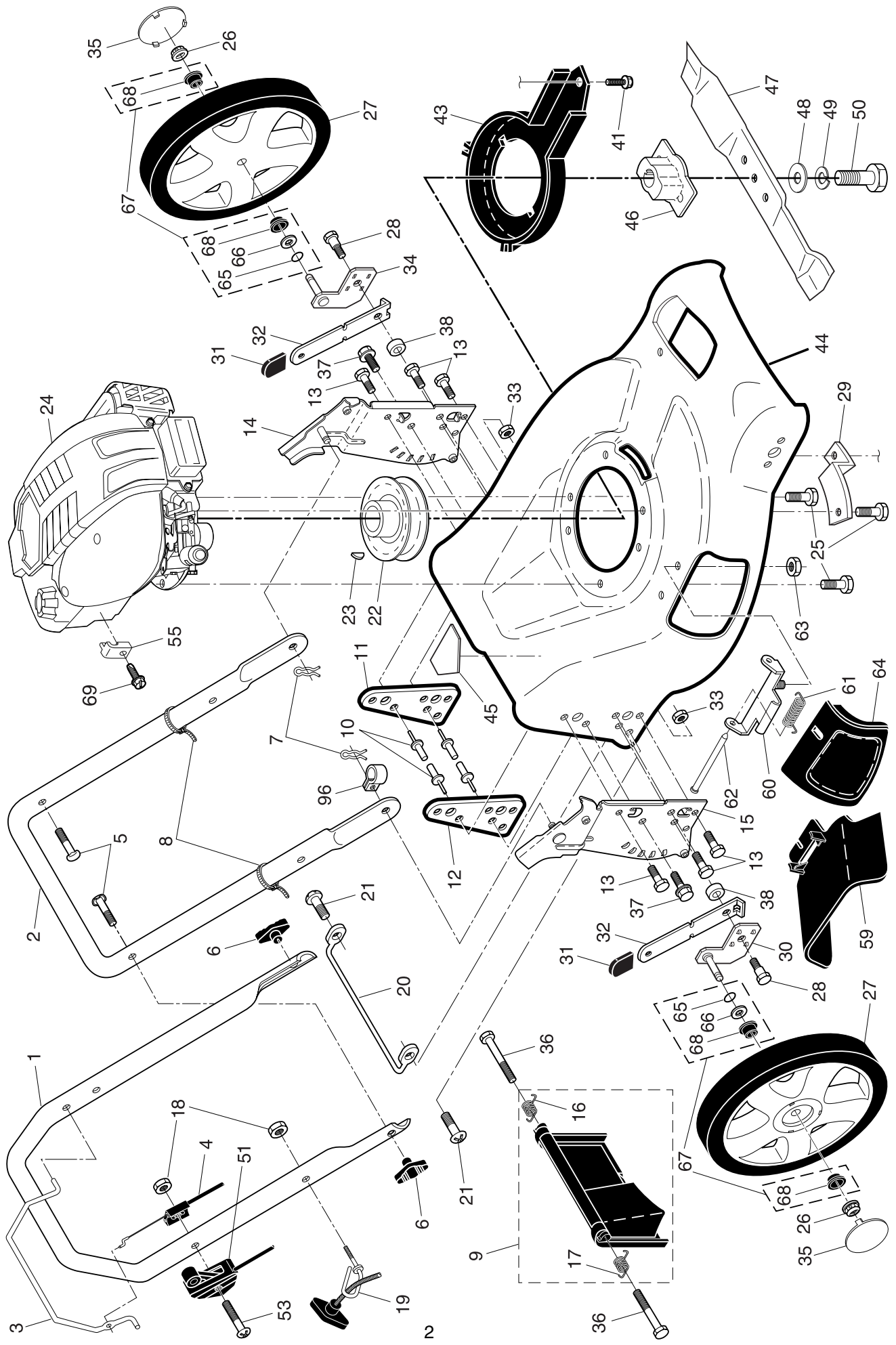
**ILLUSTRATED PARTS LIST**

**CUSTOMER MODEL NUMBER P6053PRO**

**PRODUCT NUMBER 961 41 00-21**

**MFG. ID. NUMBER 96141002100**

ROTARY LAWN MOWER - - CUSTOMER MODEL NO. P6053PRO (96141002100) PRODUCT NO. 961 41 00-21

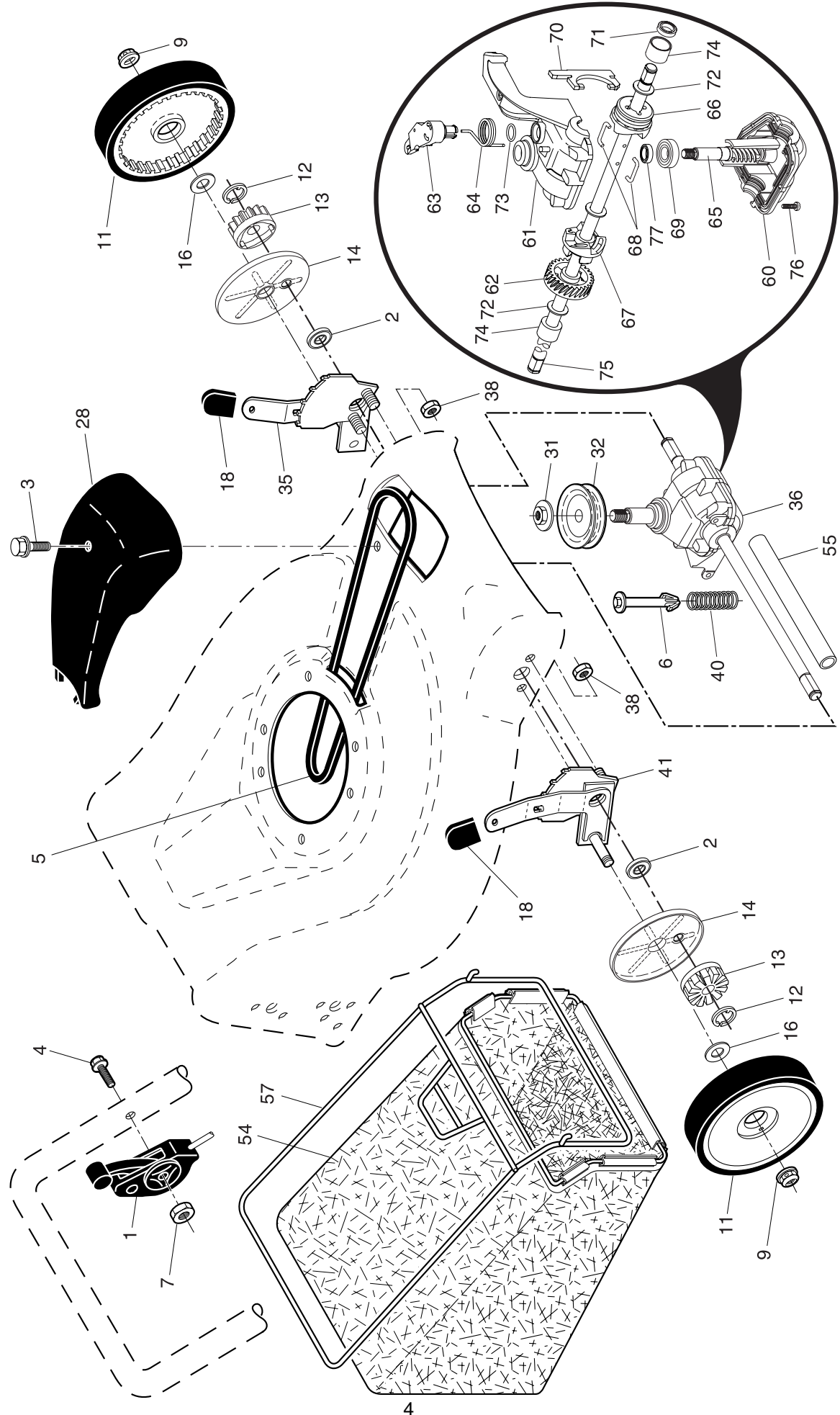


**ROTARY LAWN MOWER - - CUSTOMER MODEL NO. P6053PRO (96141002100) PRODUCT NO. 961 41 00-21**

KEY NO.	PART NO.	DESCRIPTION	KEY NO.	PART NO.	DESCRIPTION
1	532 17 80-67	Upper Handle	33	873 80 05-00	Nut, Hex 5/16-18
2	532 15 36-05	Lower Handle	34	532 18 25-42	Axle Arm Assembly, Rear, LH
3	532 18 99-03	Control Bar	35	532 19 25-19	Hubcap
4	532 13 31-07	Engine Zone Control Cable	36	532 18 41-93	Bolt
5	532 19 15-74	Handle Bolt	37	532 15 00-78	Thread Cutting Screw w/Sems 5/16-18 x 3/4
6	532 19 19-38	Handle Knob	38	819 11 22-06	Washer
7	532 05 17-93	Hairpin Cotter	41	532 19 23-25	Screw, Debris Shield
8	532 06 64-26	Wire Tie	43	532 18 87-84	Debris Shield
9	532 18 04-79	Rear Door Kit (Includes Key Numbers 16 and 17)	44	532 18 17-97	Lawn Mower Housing
10	532 12 84-15	Pop Rivet			(Includes Key Numbers 10, 11, 12 and 45)
11	532 18 25-38	Support Bracket, LH	45	532 18 21-66	Danger Decal
12	532 18 25-39	Support Bracket, RH	46	532 18 46-32	Blade Adapter
13	817 06 04-10	Screw 1/4-20 x 5/8	47	532 17 50-52	Blade 21"
14	532 18 25-43	Handle Bracket Assembly, LH	48	532 85 10-74	Hardened Washer
15	532 18 25-45	Handle Bracket Assembly, RH	49	532 85 02-63	Helical Washer 3/8-24 x 1-3/8 Grade 8
16	532 18 00-71	Spring, Rear Door, LH	50	532 85 10-84	Hex Head Machine Screw 3/8-24 x 1-3/8 Grade 8
17	532 18 00-72	Spring, Rear Door, RH	51	532 17 42-21	Throttle Control
18	532 13 20-04	Keys Locknut 1/4-20	53	532 18 33-65	Screw
19	532 17 95-85	Rope Guide	55	532 11 11-90	Clamp, Cable
20	532 17 92-05	Foot Guard, C.E.	59	532 17 50-71	Discharge Deflector
21	532 05 45-83	Screw, Tapping 1/4-20 x 1/2	60	532 17 57-35	Hinge Bracket
22	532 18 49-41	Engine Pulley	61	532 17 52-85	Spring, Hinge
23	532 18 77-23	Hi-Pro Key	62	532 17 56-50	Rod, Hinge
24	- - -	Engine, Briggs & Stratton, Model Number 122602 (order parts from engine manufacturer)	63	873 80 04-00	Locknut, Hex 1/4-20
25	532 15 04-06	Hex Head Thread Rolling Screw 3/8-16 x 1-1/8	64	532 17 50-66	Mulcher Door
26	532 08 39-23	Hex Flange Nut	65	532 18 81-52	O-Ring
27	532 18 17-85	Wheel & Tire Assembly	66	532 08 83-48	Washer, Flat
28	532 16 08-28	Shoulder Bolt 5/16-18 x .33	67	532 19 34-98	Kit, Bushing, High Wheel
29	532 19 09-39	Mounting Bracket, Debris Shield	68	532 19 36-96	Bushing, Nylon, Black
30	532 18 25-41	Axle Arm Assembly, Rear, RH	69	532 08 38-16	Screw
31	532 17 54-77	Selector Knob	96	532 19 27-70	Clip, Cable
32	532 18 25-37	Selector Spring	- -	532 18 21-34	Decal, Self-Propelled, Internal (not shown)
			- -	532 19 60-59	Operator's Manual, European
			- -	532 19 60-60	Operator's Manual, Scandinavian

**NOTE:** All component dimensions given in U.S. inches. 1 inch = 25.4 mm. **IMPORTANT:** Use only Original Equipment Manufacturer (O.E.M.) replacement parts. Failure to do so could be hazardous, damage your lawn mower and void your warranty.

ROTARY LAWN MOWER - - CUSTOMER MODEL NO. P6053PRO (96141002100) PRODUCT NO. 961 41 00-21



**ROTARY LAWN MOWER - - CUSTOMER MODEL NO. P6053PRO (96141002100) PRODUCT NO. 961 41 00-21**

KEY NO.	PART NO.	DESCRIPTION	KEY NO.	PART NO.	DESCRIPTION
1	532 18 45-87	Drive Control Assembly (Includes Cable)	54	532 19 54-50	Grassbag Assembly
2	532 16 73-87	Bearing, Wheel Adjuster	55	532 17 57-39	Driveshaft Cover
3	532 17 52-62	Pan Head Tapping Screw #10-24 x 2-3/4	57	532 18 88-15	Frame, Grassbag
4	532 15 87-55	Hex Washer Head Screw 1/4-20 x 2.12	60	532 18 34-97 *	Case, Lower
5	532 17 54-36	V-Belt	61	532 18 34-98 *	Case, Upper
6	532 15 04-95	Spring Retainer	62	532 18 34-99	Gear, 27 Teeth
7	532 19 17-30	Nut, Hex, Flanged 1/4-20	63	532 18 35-00	Lever, Clutch
8	532 16 43-78	Hubcap	64	532 18 35-01	Spring, Return
9	532 14 52-12	Locknut, Hex	65	532 18 35-02	Shaft, Input
11	532 18 07-67	Wheel & Tire Assembly	66	532 18 35-03	Dog, Movable
12	812 00 00-58	E-Ring	67	532 18 35-04	Dog, Fixed
13	532 13 70-54	Pinion	68	532 18 35-05	Wire, Formed
14	532 18 94-03	Dust Cover	69	532 18 35-06	Bearing, Ball
16	532 06 77-25	Washer 1/2 x 1-1/2 x .134	70	532 18 35-07	Fork, Shift
18	532 17 01-43	Selector Knob	71	532 18 35-08	Seal, Output Shaft
28	532 18 03-29	Drive Cover	72	532 18 35-09	Washer
31	532 13 20-10	Hex Flange Nut	73	532 18 35-10	Seal, Case
32	532 18 94-07	Drive Pulley	74	532 18 35-11	Bushing
35	532 15 15-21	Kit, Wheel Adjuster, LH (Includes Knob and Bearing)	75	532 18 35-12	Shaft, Output
36	532 18 01-84	Gear Case Assembly, Complete	76	532 18 35-13	Screw
38	873 80 04-00	Locknut, Hex 1/4-20	77	532 18 35-14	Seal, Input Shaft
40	532 13 70-90	Spring			
41	532 15 15-20	Kit, Wheel Adjuster, RH (Includes Knob and Bearing)			

\* Use Dow Corning #709 to reseal Gear Case Halves.

**NOTE:** All component dimensions given in U.S. inches. 1 inch = 25.4 mm. **IMPORTANT:** Use only Original Equipment Manufacturer (O.E.M.) replacement parts. Failure to do so could be hazardous, damage your lawn mower and void your warranty.