

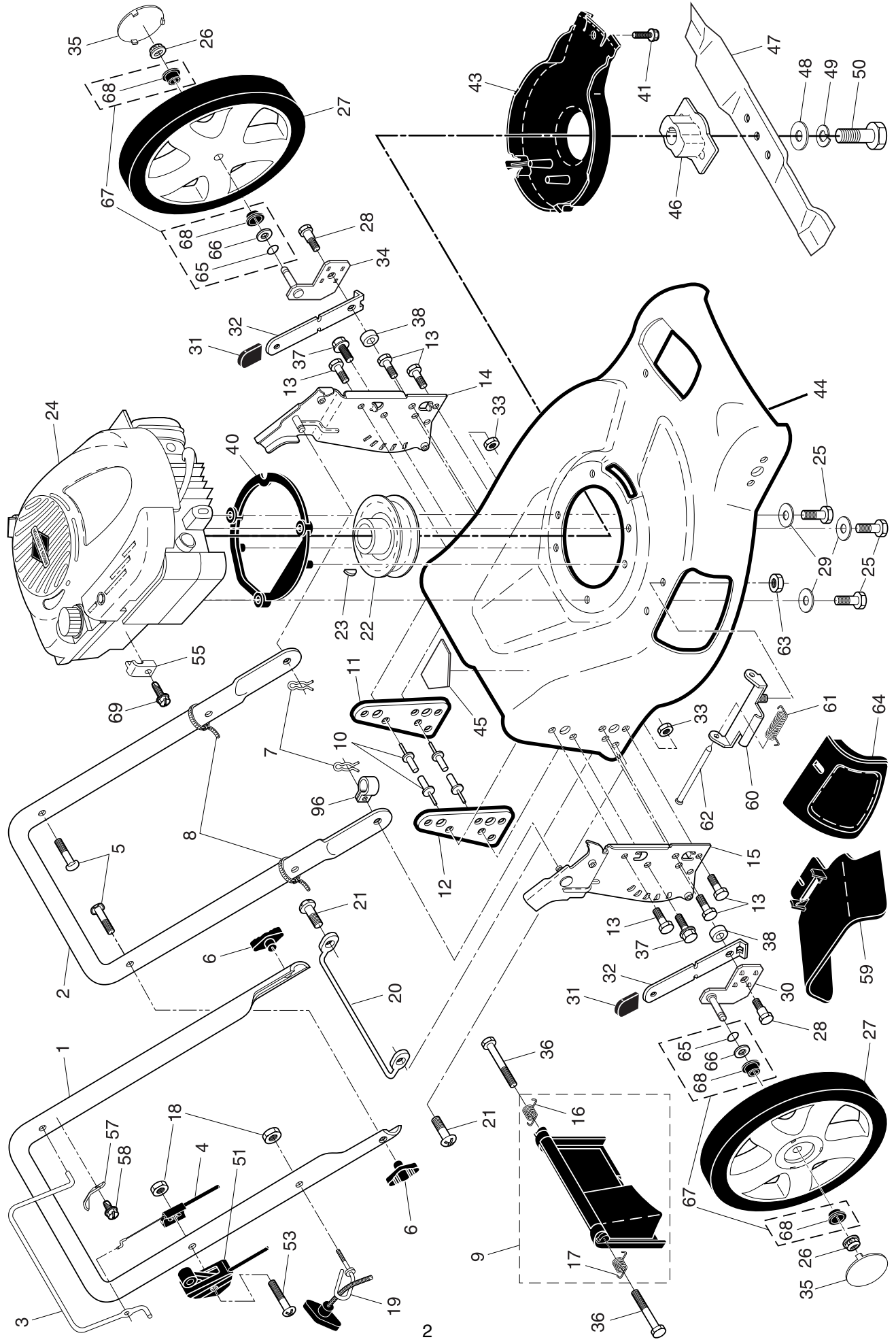
ILLUSTRATED PARTS LIST

CUSTOMER MODEL NUMBER RP6753V

PRODUCT NUMBER 961 41 00-06

MFG. ID. NUMBER 96141000600

ROTARY LAWN MOWER - - CUSTOMER MODEL NO. RP6753V (96141000600) PRODUCT NO. 961 41 00-06



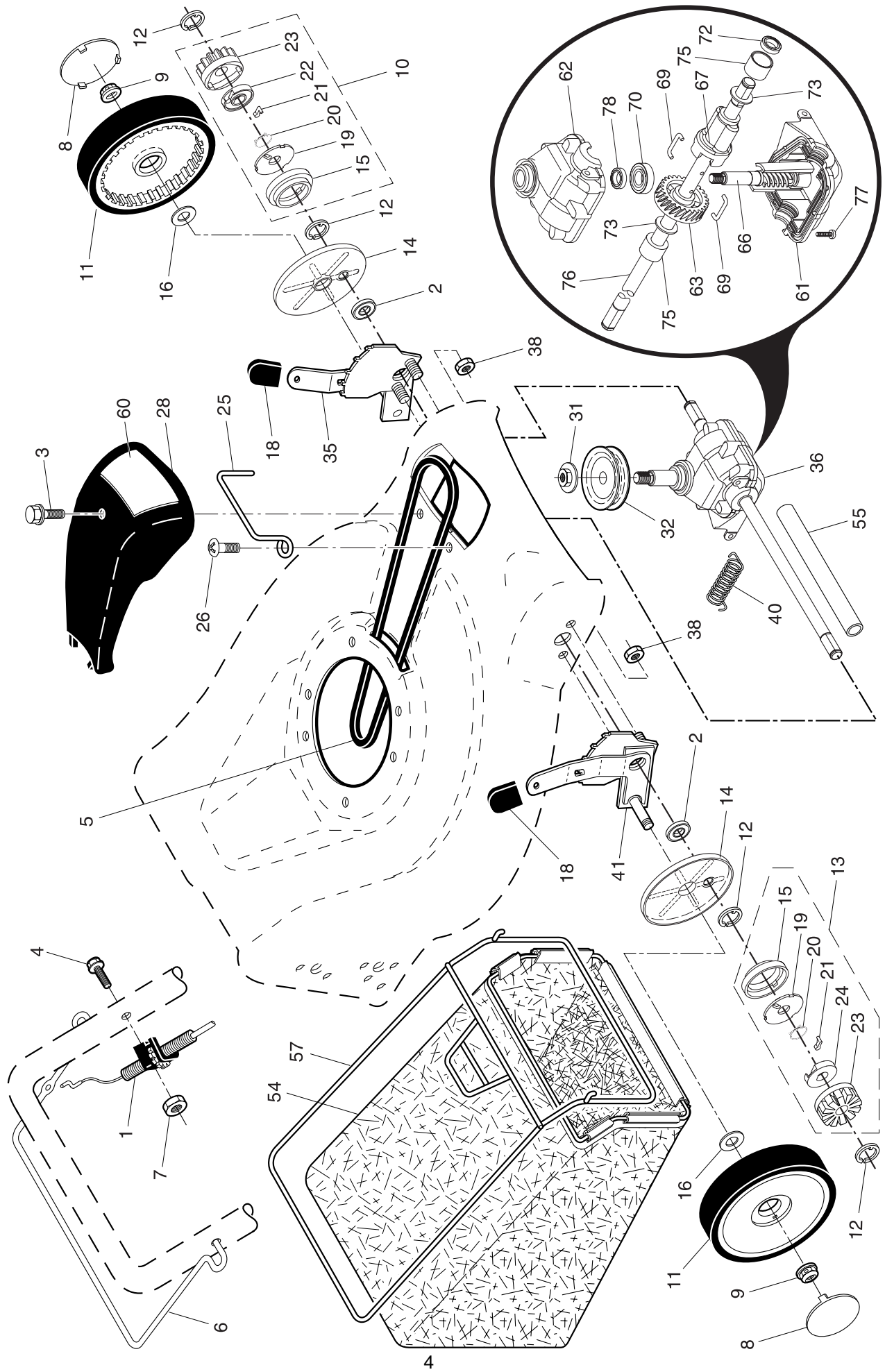
ROTARY LAWN MOWER - - CUSTOMER MODEL NO. RP6753V (96141000600) PRODUCT NO. 961 41 00-06

KEY NO.	PART NO.	DESCRIPTION	KEY NO.	PART NO.	DESCRIPTION
1	532 19 56-75	Upper Handle	34	532 18 25-42	Axle Arm Assembly, Rear, LH
2	532 15 36-05	Lower Handle	35	532 19 18-53	Hubcap
3	532 18 28-10	Control Bar	36	532 18 41-93	Bolt
4	532 13 31-07	Engine Zone Control Cable	37	532 15 00-78	Thread Cutting Screw w/Sems 5/16-18 x 3/4
5	532 19 15-74	Handle Bolt	38	819 11 22-06	Washer
6	532 19 19-38	Handle Knob	40	532 70 13-13	Spacer, Engine
7	532 05 17-93	Hairpin Cotter	41	532 18 80-40	Screw
8	532 06 64-26	Wire Tie	43	532 18 70-38	Debris Shield
9	532 12 04-79	Kit, Rear Door (Includes Key #16 and 17)	44	532 19 01-85	Kit, Lawn Mower Housing (Includes Key Numbers 10, 11, 12 and 45)
10	532 12 84-15	Pop Rivet	45	532 18 21-66	Danger Decal
11	532 18 25-38	Support Bracket, LH	46	532 18 80-41	Blade Adapter
12	532 18 25-39	Support Bracket, RH	47	532 17 50-52	Blade, 21"
13	817 06 04-10	Screw 1/4-20 x 5/8	48	532 85 10-74	Hardened Washer
14	532 18 25-43	Handle Bracket Assembly, LH	49	532 85 02-63	Helical Washer 3/8-24 x 1-3/8 Grade 8
15	532 18 25-45	Handle Bracket Assembly, RH	50	532 17 96-17	Hex Head Machine Screw 3/8-24 x 1-3/8 Grade 8
16	532 18 00-71	Spring, Rear Door, LH	51	532 18 21-56	Throttle Control
17	532 18 00-72	Spring, Rear Door, RH	53	532 18 33-65	Screw
18	532 13 20-04	Keys Locknut 1/4-20	55	532 11 11-90	Clamp, Cable
19	532 17 95-85	Rope Guide	57	532 12 51-62	Upstop Bracket
20	532 17 92-05	Foot Guard, C.E.	58	532 75 06-34	Screw
21	532 05 45-83	Screw, Tapping 1/4-20 x 1/2	59	532 17 50-71	Discharge Deflector
22	532 18 50-05	Engine Pulley	60	532 17 57-35	Hinge Bracket
23	532 18 77-23	Key, Hi-Pro	61	532 17 52-85	Spring, Hinge
24	---	Engine, Briggs & Stratton, Model Number 125K02 (order parts from engine manufacturer)	62	532 17 56-50	Hinge Rod
25	532 85 09-99	Hex Head Thread Rolling Screw 3/8-16 x 1-1/8	63	873 80 04-00	Nut, Hex
26	532 08 39-23	Hex Flange Nut	64	532 17 50-66	Mulcher Door
27	532 18 05-52	Wheel & Tire Assembly, Rear, 14"	65	532 18 81-52	O-Ring
28	532 16 08-28	Shoulder Bolt 5/16-18 x .33	66	532 08 83-48	Washer, Flat 1/2
29	532 05-39-98	Washer, Engine, Zinc-Plated	67	532 19 34-98	Kit, Bushing
30	532 18 25-41	Axle Arm Assembly, Rear, RH	68	532 19 36-96	Bushing, Nylon, Black
31	532 17 54-77	Selector Knob	69	532 08 38-16	Screw
32	532 18 25-37	Selector Spring	96	532 19 27-70	Clip, Cable
33	873 80 05-00	Nut, Hex 5/16-18	--	532 19 48-40	Operator's Manual, European
			--	532 19 48-41	Operator's Manual, Scandinavian

NOTE: All component dimensions given in U.S. inches. 1 inch = 25.4 mm

IMPORTANT: Use only Original Equipment Manufacturer (O.E.M.) replacement parts. Failure to do so could be hazardous, damage your lawn mower and void your warranty.

ROTARY LAWN MOWER - - CUSTOMER MODEL NO. RP6753V (96141000600) PRODUCT NO. 961 41 00-06



ROTARY LAWN MOWER - - CUSTOMER MODEL NO. RP6753V (96141000600) PRODUCT NO. 961 41 00-06

KEY NO.	PART NO.	DESCRIPTION	KEY NO.	PART NO.	DESCRIPTION
1	532 18 91-82	Drive Control Assembly (Includes Cable)	32	532 18 94-06	Drive Pulley
2	532 16 99-11	Bearing, Wheel Adjuster	35	532 18 09-15	Kit, Wheel Adjuster, LH (Includes Knob and Bearing)
3	532 17 52-62	Pan Head Tapping Screw #10-24 x 2-3/4	36	532 18 72-12	Gearcase Assembly, Complete
4	532 18 56-81	Hex Washer Head Screw 1/4-20 x 2.12	38	873 80 04-00	Locknut 1/4-20
5	532 16 97-78	V-Belt	40	532 18 22-26	Spring
6	532 19 09-99	Control Bar, Drive	41	532 18 09-14	Kit, Wheel Adjuster, RH (Includes Knob and Bearing)
7	532 75 11-52	Locknut, Hex #10-24	54	532 19 54-51	Grassbag Assembly
8	532 18 06-26	Hubcap	55	532 17 57-39	Driveshaft Cover
9	532 14 52-12	Locknut, Hex	57	532 18 88-15	Frame, Grassbag
10	532 18 83-31	Pinion Assembly, LH	60	532 19 42-19	Decal, Drive Cover
11	532 18 07-75	Wheel & Tire Assembly	61	532 18 75-25 *	Case, Lower
12	812 00 00-58	E-Ring	62	532 18 75-26 *	Case, Upper
13	532 18 83-30	Pinion Assembly, RH	63	532 18 34-99	Gear, 27 Teeth
14	532 18 94-03	Dust Cover	66	532 18 75-27	Shaft, Input
15	532 18 41-72	Seal, Friction	67	532 18 75-28	Spacer
16	532 06 77-25	Washer 1/2 x 1-1/2 x .134	69	532 18 35-05	Wire, Formed
18	532 08 78-77	Selector Knob	70	532 18 35-06	Bearing, Ball
19	532 17 51-04	Disk, Drive	72	532 18 35-08	Seal, Output Shaft
20	532 18 82-91	Spring, Torsion	73	532 18 35-09	Washer
21	532 17 50-98	Pawl	75	532 18 35-11	Bushing
22	532 17 51-05	Retainer, Drive, LH	76	532 18 75-29	Shaft, Output
23	532 17 51-03	Gear, Pinion	77	532 18 35-13	Screw
24	532 17 51-02	Retainer, Drive, RH	78	532 18 35-14	Seal, Input Shaft
25	532 18 81-02	Belt Keeper			
26	532 17 37-15	Screw			
28	532 18 14-68	Drive Cover			
31	532 13 20-10	Hex Flange Nut			

* Use Dow Corning #709 to reseal Gear Case Halves.

NOTE: All component dimensions given in U.S. inches. 1 inch = 25.4 mm

IMPORTANT: Use only Original Equipment Manufacturer (O.E.M.) replacement parts. Failure to do so could be hazardous, damage your lawn mower and void your warranty.