

# **ILLUSTRATED PARTS LIST**

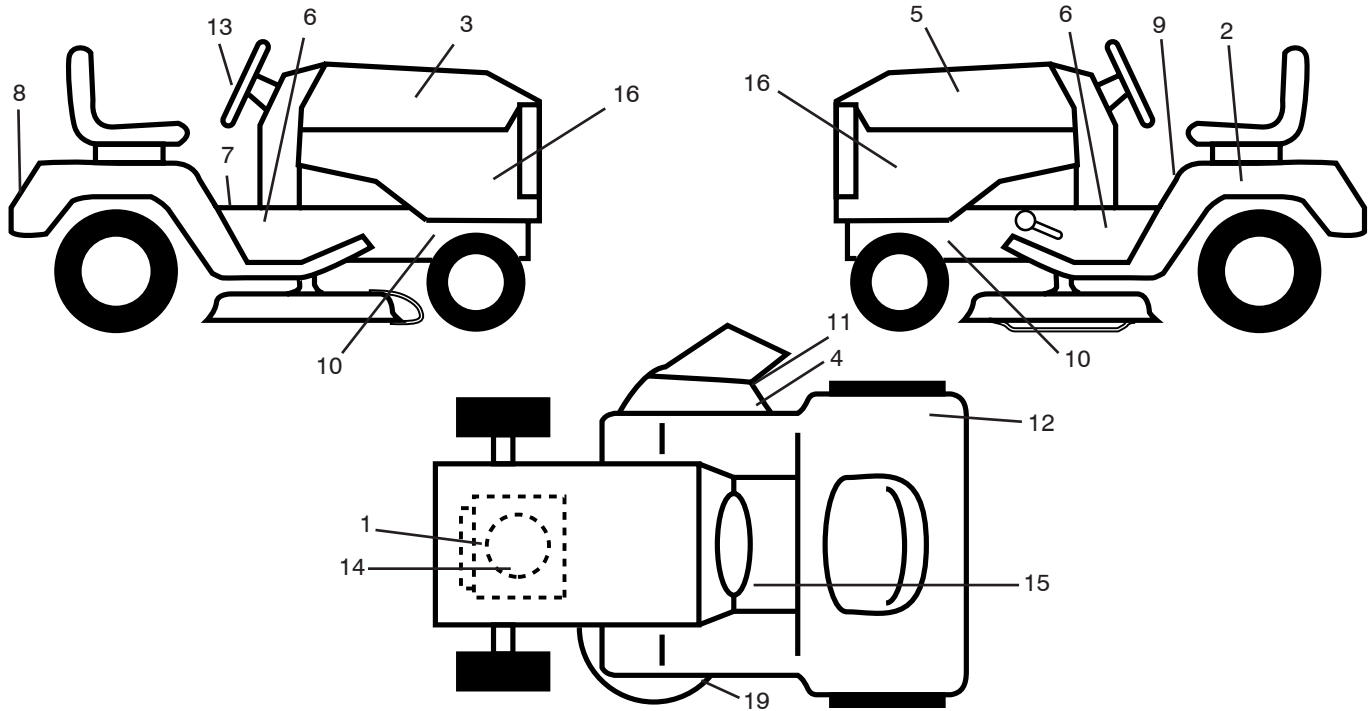
**MFG ID NO. 96011023902**

**CUSTOMER CATALOG NO. P12597**

**PRODUCT NO. 960 11 02-39**

# REPAIR PARTS

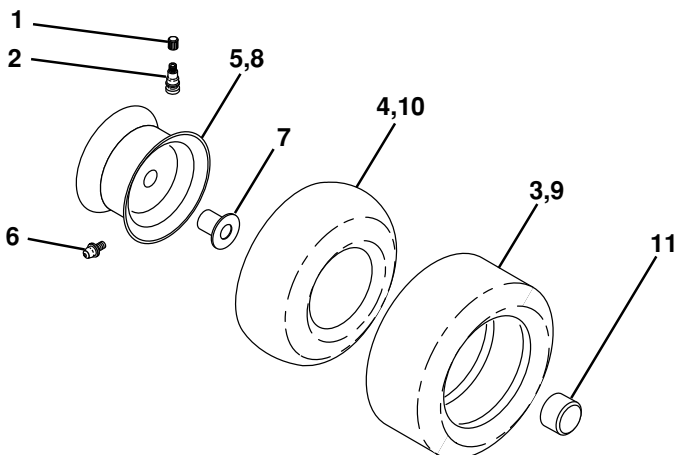
TRACTOR- -MODEL NO. P12597 (96011023902) PRODUCT NO. 960 11 02-39  
DECALS



KEY NO.	PART NO.	DESCRIPTION
1	532 19 68-41	Decal, Warning Engine Symbols
2	532 14 50-05	Decal, Bat Dan/Poi P/L Symbols
3	532 40 81-44	Decal, Hood RH
4	532 19 63-57	Decal, Deflector Warning Symbols
5	532 40 81-46	Decal, Hood LH
6	532 18 56-51	Decal, Chas. Turbo Collection
7	532 14 08-37	Decal, Saddle Brake Parking
8	532 40 81-61	Decal, Fender Logo
9	532 40 03-89	Decal, Warning Sym. CE
10	532 15 97-36	Decal, Chassis Hot Muffler
11	532 18 21-66	Decal, Mower Cut finger Symbol
12	532 18 04-32	Decal, 100 DbA

KEY NO.	PART NO.	DESCRIPTION
13	532 40 81-43	Decal, Strg Wheel Cap
14	532 40 88-13	Decal, Eng HP
15	532 15 97-37	Decal, Brake/Clutch
16	532 40 81-62	Decal, Side Panel
19	532 19 43-02	Decal, V-Belt Sch
--	532 16 25-98	Decal, Drawbar Load Limit
--	532 13 83-11	Decal, Lift Handle (Lift Handle)
--	532 40 09-01	Manual Operator's Euro
--	532 40 09-02	Manual Operator's Scan
--	<b>532 40 09-03</b>	Manual Operator's Ebloc
--	<b>532 40 09-04</b>	Manual Operator's Baltic

## WHEELS & TIRES



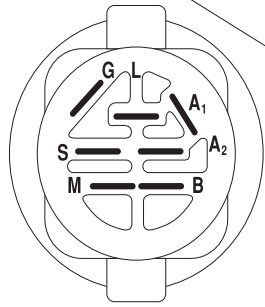
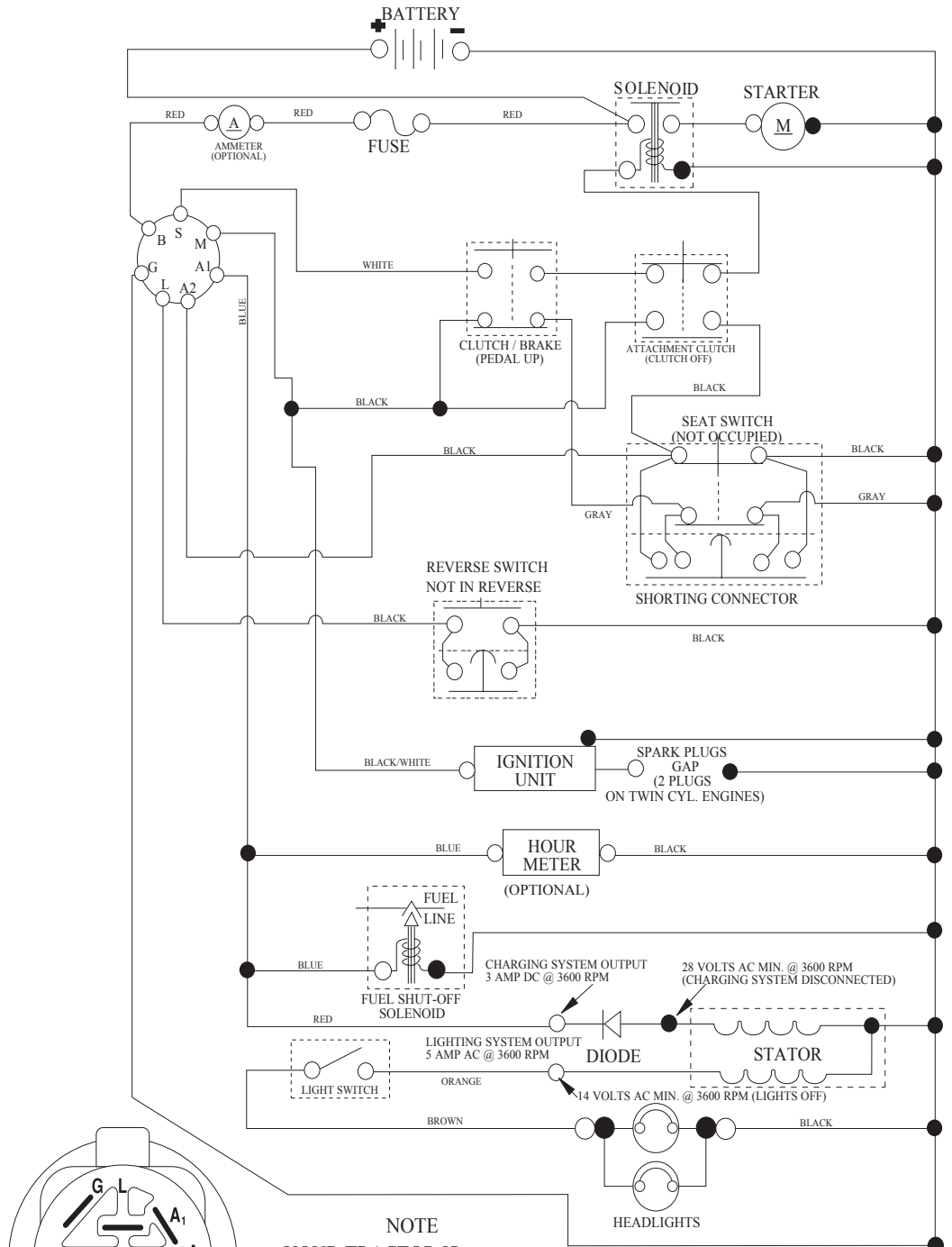
KEY NO.	PART NO.	DESCRIPTION
1	532 05 91-92	Cap Valve Tire
2	532 06 51-39	Stem Valve
3	532 12 41-57	Tire F Ts 15 x 6 - 6 Service
4	532 05 99-04	Tube Front (Service Item Only)
5	532 12 51-21	Rim Asm 6" front Service
6	532 12 49-57	Fitting Grease (Front Wheel Only)
7	532 12 49-59	Bearing Flange (Front Wheel Only)
8	532 12 51-22	Rim Asm 8" rear Service
9	532 12 39-69	Tire R Ts 18 x 8.5-8 C. Service
10	532 12 49-26	Tube Rear (Service Item Only)
11	532 17 50-39	Cap Axle Blk 1 50 x 1 00

**NOTE:** All component dimensions given in U.S. inches  
1 inch = 25.4 mm

# REPAIR PARTS

## TRACTOR- -MODEL NO. P12597 (96011023902) PRODUCT NO. 960 11 02-39 SCHEMATIC

SCH03



IGNITION SWITCH

POSITION	CIRCUIT	"MAKE"
OFF	M+G+A1	
RUN/OVERRIDE	B+A1	
RUN	B+A1	L+A2
START	B + S + A1	

### NOTE

YOUR TRACTOR IS EQUIPPED WITH A SPECIAL ALTERNATOR SYSTEM. THE LIGHTS ARE NOT CONNECTED TO THE BATTERY, BUT HAVE THEIR OWN ELECTRICAL SOURCE. BECAUSE OF THIS, THE BRIGHTNESS OF THE LIGHTS WILL CHANGE WITH ENGINE SPEED. AT IDLE THE LIGHTS WILL DIM. AS THE ENGINE IS SPEEDED UP, THE LIGHTS WILL BECOME THEIR BRIGHTEST.

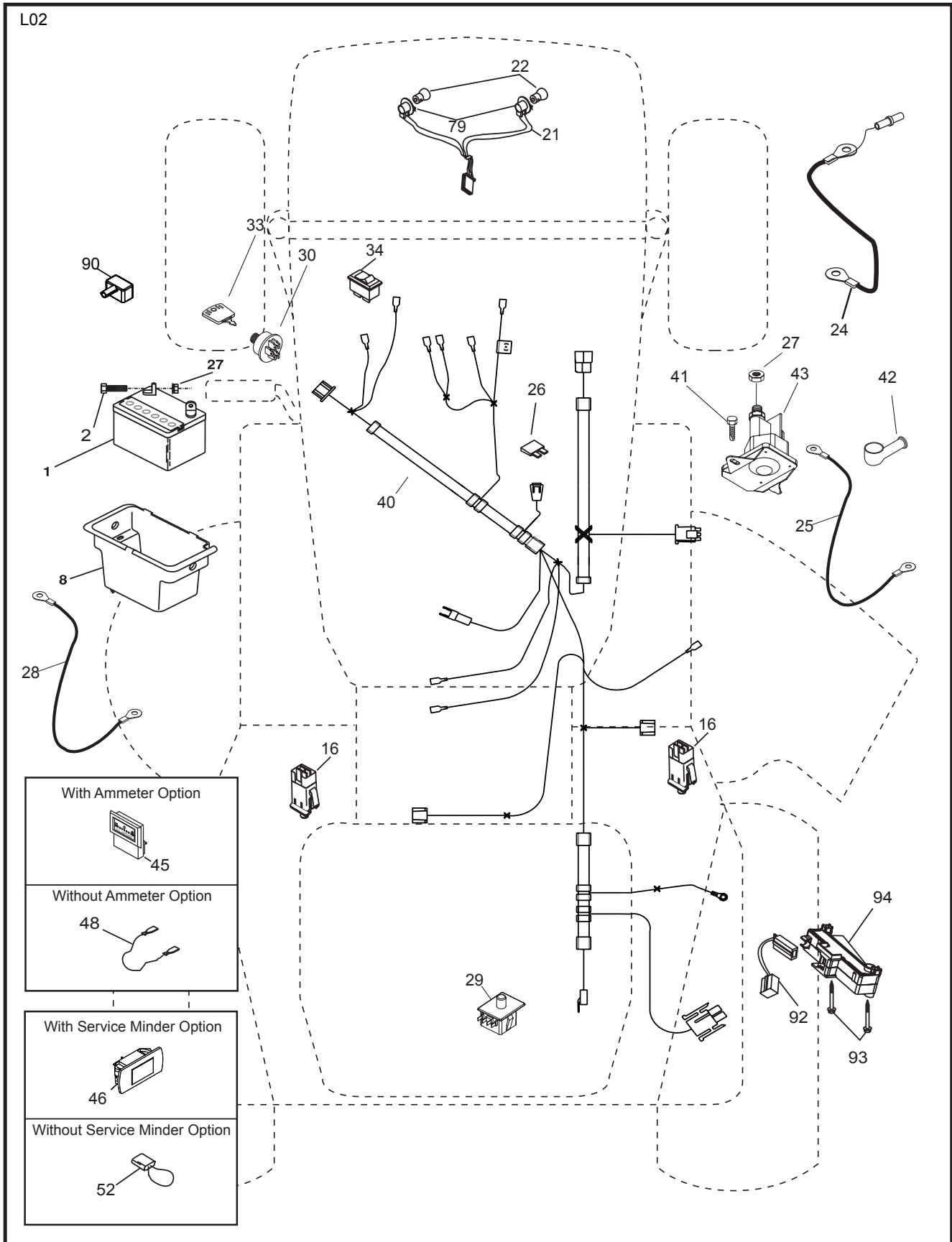
● NON-REMOVABLE CONNECTIONS

○ REMOVABLE CONNECTIONS

WIRING INSULATED CLIPS  
NOTE: IF WIRING INSULATED CLIPS WERE REMOVED FOR SERVICING OF UNIT, THEY SHOULD BE RE-INSTALLED TO PROPERLY SECURE YOUR WIRING.

# REPAIR PARTS

TRACTOR- -MODEL NO. P12597 (96011023902) PRODUCT NO. 960 11 02-39  
ELECTRICAL



# REPAIR PARTS

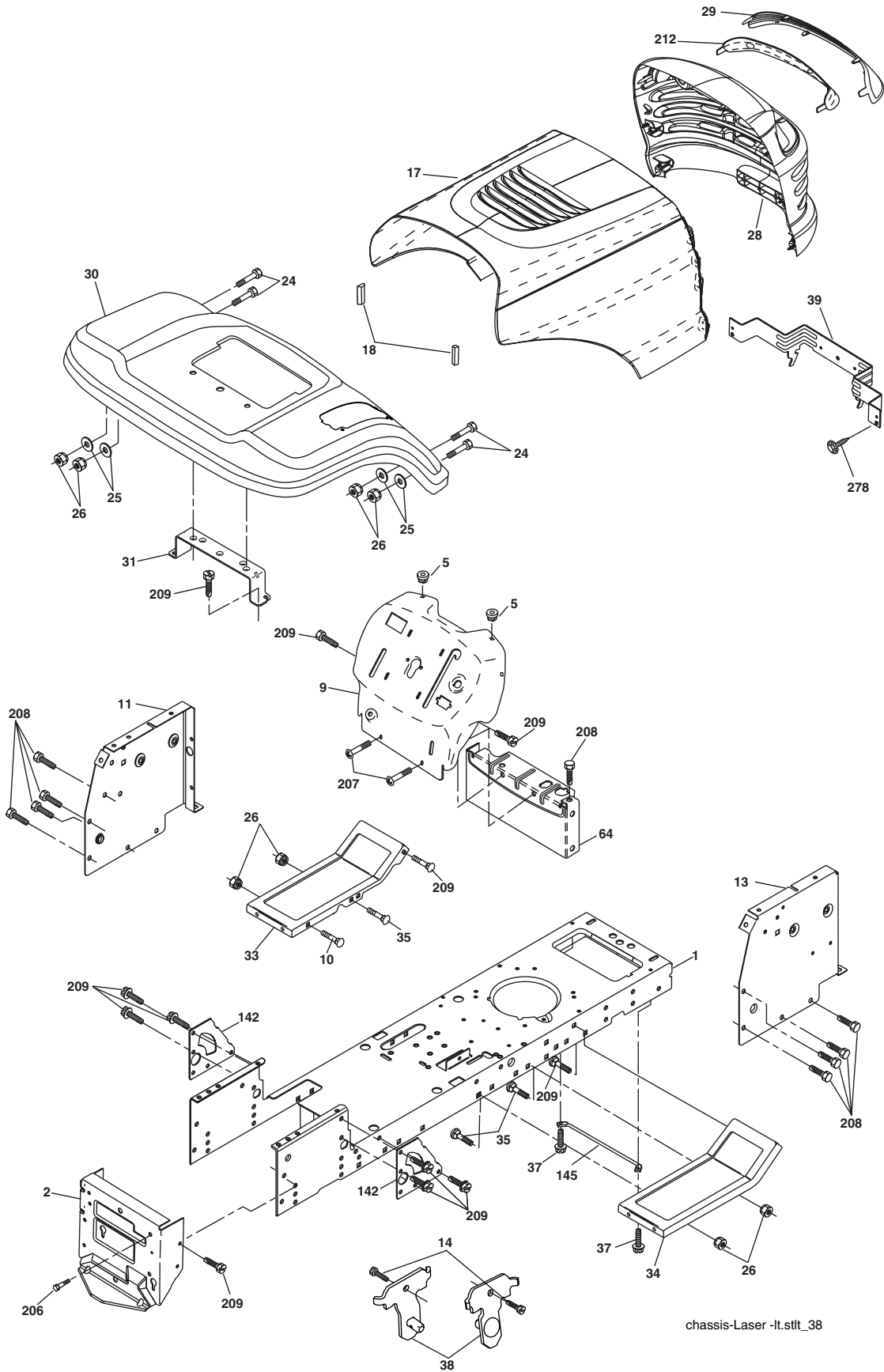
TRACTOR- -MODEL NO. P12597 (96011023902) PRODUCT NO. 960 11 02-39  
ELECTRICAL

KEY NO.	PART NO.	DESCRIPTION
1	532 16 34-65	Battery
2	874 76 04-12	Bolt Hex Hd 1/4-20 unc x 3/4
8	532 17 66-89	Box Battery Fender
16	532 17 61-38	Switch Interlock
21	532 18 37-59	Harness Headlight
22	532 00 41-52	Bulb
24	532 12 47-80	Cable Battery 6 Ga 11" Red
25	532 14 61-47	Cable Battery 6 Ga Red w/16 wir
26	532 17 51-58	Fuse
27	873 51 04-00	Nut Keps Hex 1/4-20 unc
28	532 12 47-73	Cable Ground 6 Ga 12" black
29	532 19 27-49	Switch Seat
30	532 19 33-50	Switch Ignition
33	<b>532 41 19-35</b>	Key/Chain
34	532 11 07-12	Switch Light/Reset
40	532 19 74-28	Harness Ignition
41	871 11 04-08	Bolt Blk Fin Hex 1/4 - 20 x 1/2
42	532 13 15-63	Cover Terminal Red
43	532 19 25-07	Solenoid
48	532 14 08-44	Adapter Ammeter Rectangular
52	532 14 19-40	Protection Wire Loop
79	<b>532 17 52-42</b>	Socket Asm. Bulb Twistlock
90	532 18 04-49	Cover Terminal Battery
92	532 19 66-15	Harness Pigtail Console ROS
93	532 19 25-40	Screw Plastite 10-14 x 2.0
94	532 19 18-34	Module Reverse ROS

**NOTE:** All component dimensions given in U.S. inches.  
1 inch = 25.4 mm.

# REPAIR PARTS

TRACTOR- -MODEL NO. P12597 (96011023902) PRODUCT NO. 960 11 02-39  
CHASSIS



chassis-Laser -It.stt\_38

# REPAIR PARTS

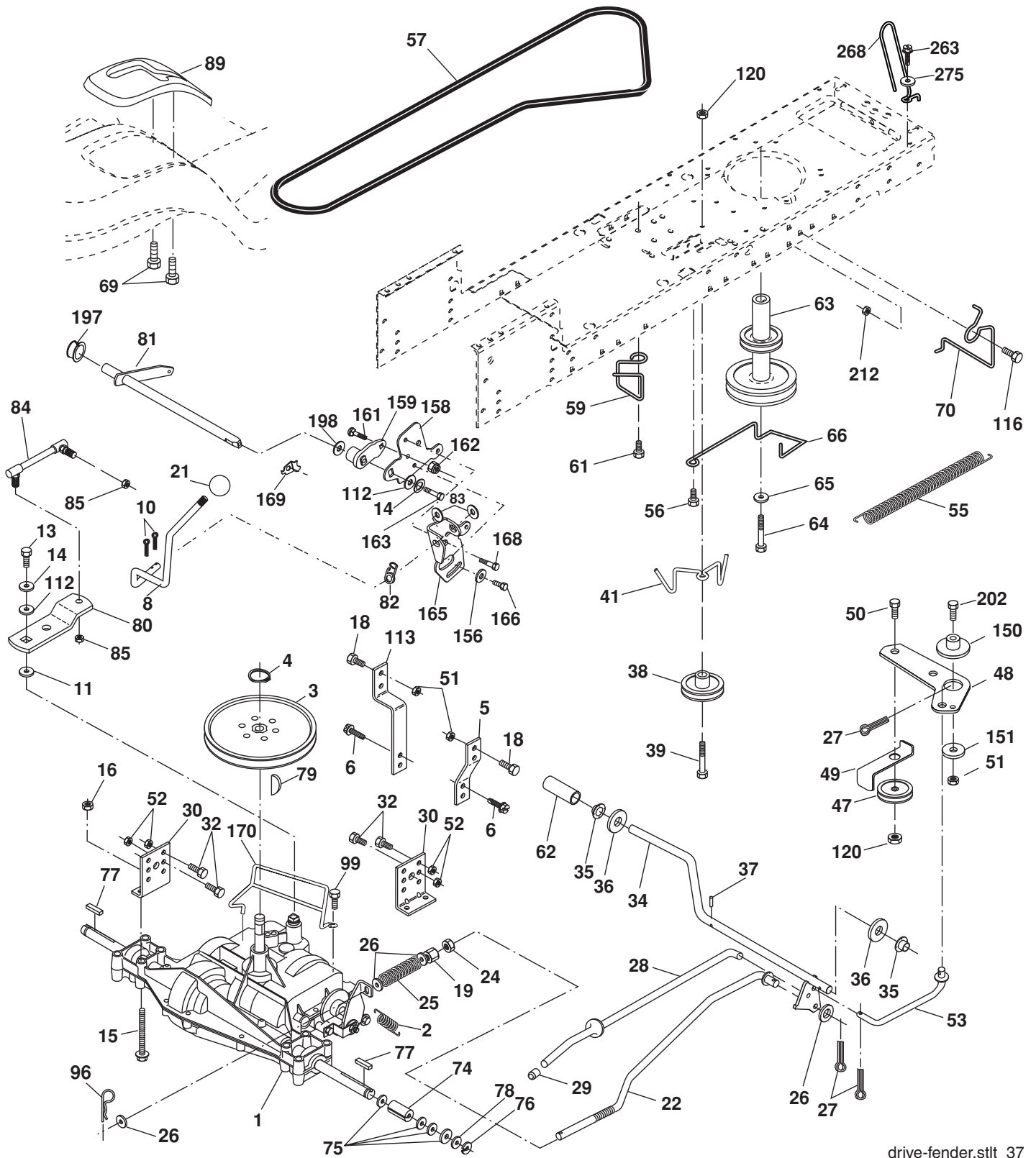
TRACTOR- -MODEL NO. P12597 (96011023902) PRODUCT NO. 960 11 02-39  
CHASSIS

KEY NO.	PART NO.	DESCRIPTION
1	532 17 46-19	Chassis
2	532 17 65-54	Drawbar
5	532 15 52-72	BumperHood/Dash
9	532 19 48-22	Dash
10	872 14 06-08	Bolt, Carriage 3/8-16 x 1
11	532 17 49-96	Dashboard, Panel LH
13	532 18 17-19	Dashboard, Panel RH
14	817 49 06-08	Screw Thdrol 3/8-16 x 1/2
17	532 18 27-16	Hood Pnt
18	532 18 49-21	BumperHood
24	874 78 06-16	Bolt, Hex Head, Fin. 3/8-16 x 1 Gr. 5
25	819 13 13-12	Washer 13/32 x 13/16 x12 Ga.
26	873 80 06-00	Nut Lock Hex w/Ins. 3/8-16 unc
28	532 17 97-49	Grille (Includes key Nos. 29, 212)
29	532 18 27-18	Lens
30	532 19 41-98	Fender
31	532 13 66-19	Fender Bracket
33	532 18 25-07	Footrest, LH
34	532 18 25-08	Footrest, RH
35	872 11 06-06	Bolt 3/8-16 X 3/4
37	817 49 05-08	Screw Thdrol 5/16-18 x 1/2
38	532 17 57-10	Bracket Asm. Pivot Mower Rear
39	532 40 78-07	Bracket Pivot Laser/Elite
64	532 15 47-98	Dash Lower
142	532 17 57-02	Plate Reinforcement
145	532 15 65-24	Rod Pivot Chassis/Hood
206	532 17 01-65	Bolt Shoulder 5/16-18 TT
207	817 67 05-08	Screw Thdrol 5/16-18 x 1/2
208	817 67 06-08	Screw Thdrol 3/8-16 x 1/2
209	817 00 06-12	Screw Hexwsh Thdr 3/8-16 x 3/4
212	532 17 51-43	Insert Lens Reflective
278	532 19 16-11	Screw 10 x 3/4 Single Lead-Hex
--	532 00 54-79	Button Plug

**NOTE:** All component dimensions given in U.S. inches.  
1 inch = 25.4 mm.

# REPAIR PARTS

TRACTOR- -MODEL NO. P12597 (96011023902) PRODUCT NO. 960 11 02-39  
DRIVE



drive-fender.stlt\_37



# REPAIR PARTS

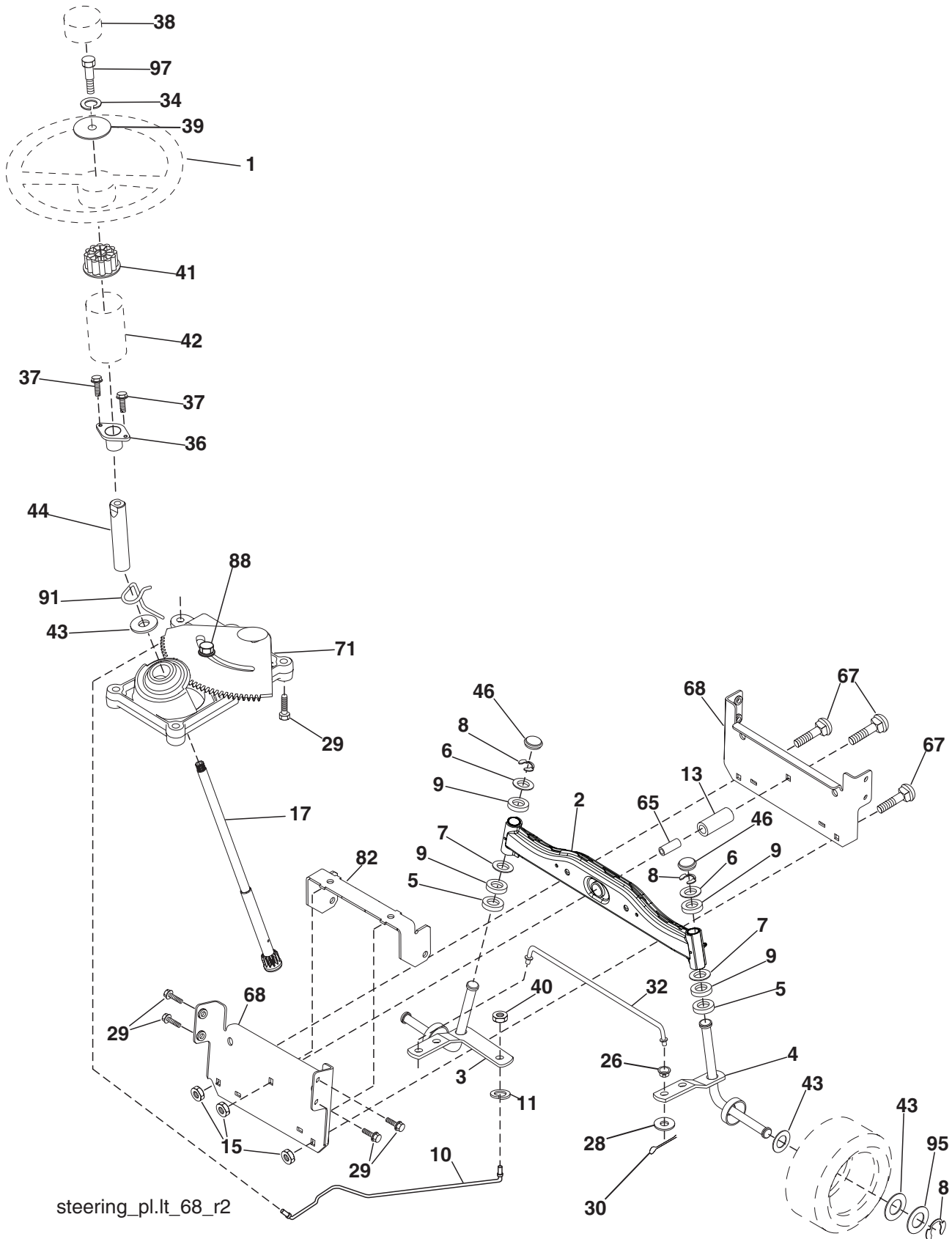
**TRACTOR- -MODEL NO. P12597 (96011023902) PRODUCT NO. 960 11 02-39 DRIVE**

KEY NO.	PART NO.	DESCRIPTION	KEY NO.	PART NO.	DESCRIPTION
1	-----	Transaxle Peerless, Model 205-544C (Order parts from transaxle manufacturer)	64	532 17 39-37	Bolt, Hex 7/16-20 x 4 Gr. 5
2	532 14 66-82	Spring, Brake Return	65	810 04 07-00	Washer, Lock Hvy Hlcl Spr 7/16
3	532 12 36-66	Pulley, Transaxle	66	532 15 47-78	Keeper, Belt Engine F-Proof
4	812 00 00-28	Ring, Retainer	69	532 14 24-32	Screw Hex Wsh Hi-Lo
5	532 12 72-85	Strap, Torque	70	532 13 46-83	Guide Belt Mower Drive RH
6	817 06 05-12	Screw, 5/16-18 x 3/4 smgml	74	532 13 70-57	Spacer, Split
8	532 19 27-06	Rod, Shifter	75	532 12 17-49	Washer 25/32 x 1-1/4 x 16 Ga.
10	876 02 04-16	Pin, Cotter 1/8 x 1	76	812 00 00-01	E-Ring
11	532 10 57-01	Washer, Shift Plate	77	532 12 35-83	Key Square
13	874 55 04-12	Bolt 1/4-28 UNF Gr. 8 w/Patch	78	532 12 17-48	Washer 25/32 x 1-5/8 x 16 Ga.
14	810 04 04-00	Washer Lock	79	532 12 50-96	Key Woodruff #9 3/16 x 3/4
15	874 49 05-44	Bolt, Hex Flghd 5/16-18 Gr. 5	80	532 13 14-86	Arm Shift
16	873 80 05-00	Nut Lock 5/16-18 unc	81	532 16 55-94	Shaft Asm. Cross Taper
18	874 78 06-16	Bolt, Fin Hex 3/8-16 unc x 1 Gr. 5	82	532 16 57-11	Spring Torsion Shift
19	873 80 06-00	Locknut 3/8-16	83	819 17 12-16	Washer 17/32 x 3/4 x 16 Ga.
21	532 10 69-33	Knob	84	532 16 62-28	Link Trans.
22	532 13 08-04	Rod, Brake	85	532 15 03-60	Nut Lock Center 1/4-28
24	873 35 06-00	Nut, Hex Jam 3/8-16	89	532 19 58-61	Console Shift
25	532 10 68-88	Spring, Rod, Brake	96	532 12 47-88	Retainer Spring 1" Zinc/Cad
26	819 13 13-16	Washer 13/32 x 13/16 x 16 Ga.	99	817 06 05-12	Screw 5/16-18 x 3/4 smgml Tap
27	876 02 04-12	Pin, Cotter 1/8 x 3/4	112	819 09 12-10	Washer 9/32 x 3/4 x 10 Ga.
28	532 17 57-65	Rod, Brake, Park	113	532 12 15-20	Strap Torque L.H. Lt
29	532 07 16-73	Cap, Plunger	116	872 14 06-08	Bolt RDHD SQNK 3/8-16 unc x 1
30	532 17 49-73	Bracket, Transaxle, L.H.	120	873 90 06-00	Nut Lock Fig. 3/8-16 unc
32	874 76 05-12	Bolt Hex Hd 5/16-18 unc x 3/4	150	532 17 54-56	SpacerRetainer
34	532 17 55-78	Shaft, Foot Pedal	151	819 13 32-10	Washer 13/32 x 2 x 10 Ga.
35	532 12 01-83	Bearing Nylon	156	532 16 60-02	Washer 5/16 ID x 10 x .125
36	819 21 16-16	Washer 21/32 x 1 x 16 Ga.	158	532 16 55-89	Bracket Shift Mound
37	532 12 49-63	Pin, Roll 3/16 x 1	159	532 18 39-00	Hub Shift
38	532 17 91-14	Pulley Idler	161	872 14 04-06	Bolt Rdhd Sqnk 1/4-20 x 3/4 Gr. 5
39	872 11 06-22	Bolt 3/8-16 unc x 2-3/4 Gr. 5	162	873 68 04-00	Nut Crownlock 1/4-20 unc
41	532 17 55-56	Keeper, Belt	163	874 78 04-16	Bolt Hex Fin 1/4-20 unc x 1 Gr. 5
47	532 12 77-83	Pulley, Idler	165	532 16 56-23	Bracket Pivot Lever
48	532 15 44-07	Bellcrank Asm Clutch	166	817 49 05-10	Screw 5/16-18 x 5/8
49	532 12 32-05	Retainer, Belt	168	532 16 54-92	Bolt Shoulder 5/16-18 x .561
50	872 11 06-12	Bolt, Carr. Sh 3/8-16 x 1-1/2 Gr. 5	169	532 16 55-80	Plate Fastening
51	873 68 06-00	Nut, Crownlock 3/8-16	170	532 18 74-14	Keeper, Belt, Transaxle
52	873 68 05-00	Nut, Crownlock 5/16-18	197	532 16 96-13	Nyliner Snap-In 5/8 ID
53	532 19 96-52	Link, Clutch	198	532 16 95-93	Washer Nylon
55	532 10 57-09	Spring, Return, Clutch	202	872 11 06-14	Bolt Carr Sh 3/8-16 x 1-3/4 Gr. 5
56	817 06 06-20	Screw 3/8-16 x 1-1/4	212	532 14 52-12	Nut Hex Flange Lock
57	532 13 82-55	V-Belt, Drive	263	817 00 06-12	Screw, 3/8-16 x 3/4 smgml
59	532 16 96-91	Keeper Belt Center Span	268	532 18 24-02	Guard Muffler
61	817 12 06-14	Screw 3/8-16 x .875	275	819 13 16-14	Washer 13/32 x 1 x 14 Ga.
62	532 12 48-72	Cover, Foot Pedal			
63	532 17 54-10	Pulley, Engine			

**NOTE:** All component dimensions given in U.S. inches  
1 inch = 25.4 mm

# REPAIR PARTS

TRACTOR- -MODEL NO. P12597 (96011023902) PRODUCT NO. 960 11 02-39  
STEERING ASSEMBLY



steering\_pl.lt\_68\_r2

# REPAIR PARTS

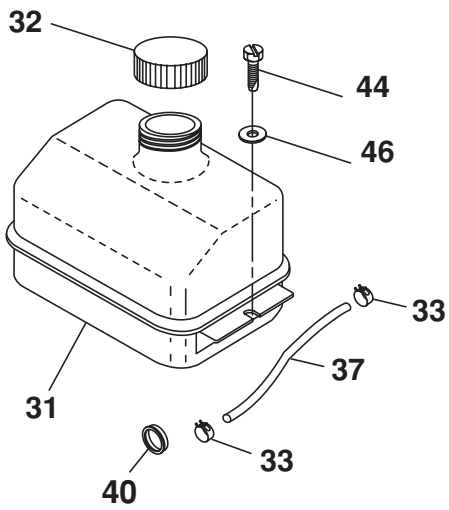
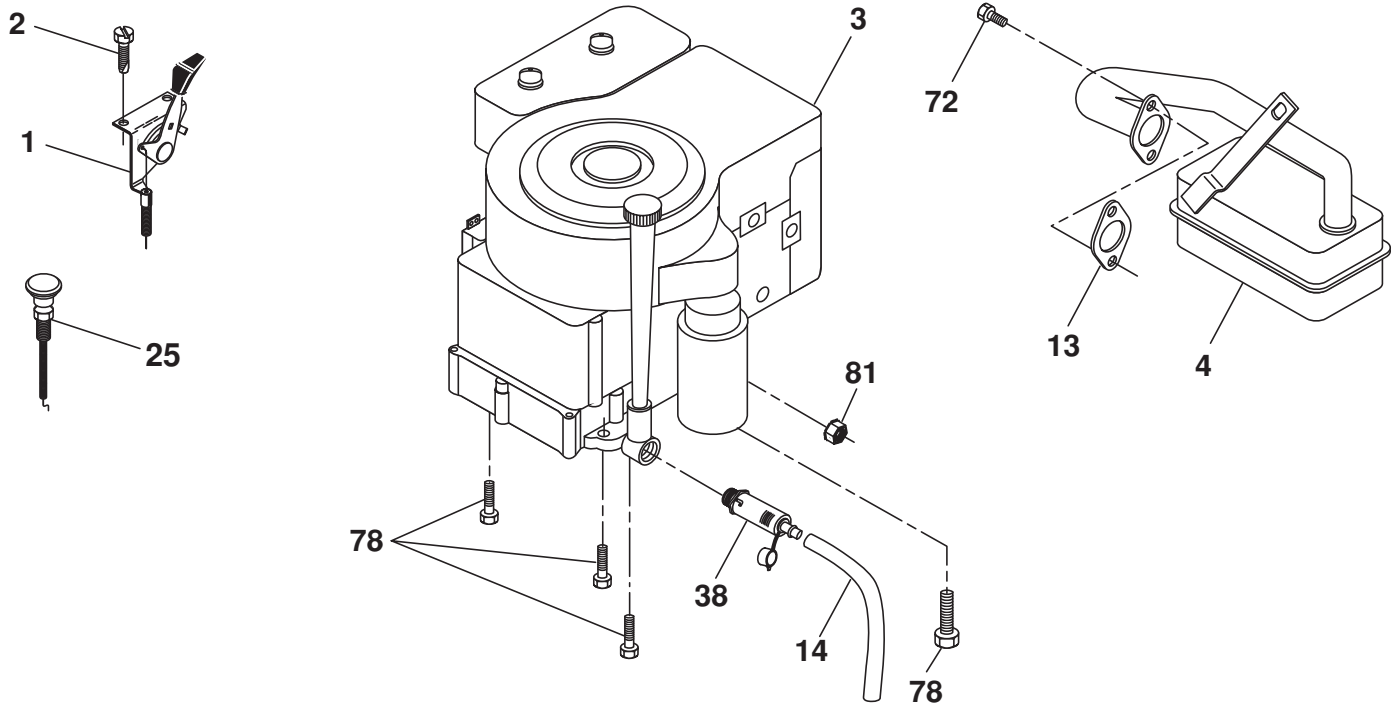
TRACTOR- -MODEL NO. P12597 (96011023902) PRODUCT NO. 960 11 02-39  
STEERING ASSEMBLY

KEY NO.	PART NO.	DESCRIPTION
1	532 18 67-80	Wheel Steering Opp. Sears Blk
2	532 19 56-73	Axle Asm
3	532 16 98-40	Spindle Asm LH
4	532 16 98-39	Spindle Asm RH
5	5321249-31	Bearing Race Thrust Harden
6	532 12 17-48	Washer 25/32 x 1-5/8 x 16 Ga.
7	819 27 20-16	Washer 27/32 x 1-1/4 x 16 Ga.
8	812 00 00-29	Ring Klip #t5304-75
9	532 12 49-37	Bearing Col Strg Blk
10	532 17 51-21	Link Drag
11	810 04 06-00	Washer Lock Hvy Hlcl Spr 3/8
13	532 13 65-18	Spacer Brace Axle
15	532 14 52-12	Nut Hexflange Lock
17	532 19 07-53	Shaft Asm Strg
26	532 12 68-47	Bushing Link Drag Blk LR
28	819 13 14-16	Washer 13/32 x 7/8 x 16 Ga.
29	817 00 06-12	Screw 3/8-16 x .75
30	876 02 04-12	Pin Cotter 1/8 x 3/4 Cad
32	532 19 27-57	Rod Tie Wire Form 19 75 Mech
34	810 04 05-00	Washer Lock Hvy Hlcl Spr. 5/16
36	532 15 50-99	Bushing Strg Nat .623/.618ld
37	532 15 29-27	Screw TT #10-32 x 5 x 3/8 Flange
38	532 19 29-16	Cap Wheel Steer P/L
39	819 11 38-12	Washer 11/32 x 2-3/8
40	873 54 06-00	Nut Crownlock 3/8-24
41	532 18 67-37	Adaptor Wheel Strg
42	532 16 96-33	Boot Shaft Steering
43	532 12 17-49	Washer 25/32 x 1 1/4 x 16 Ga.
44	532 19 07-52	Extension Steering
46	532 12 12-32	Cap Spindle Fr Top Blk
65	532 16 03-67	Spacer Brace Axle
67	872 11 06-18	Bolt RDHD SQ 3/8-16 unc x 2-1/4
68	532 16 98-27	Brace Axle
71	532 17 51-46	Steering Asm
82	532 19 99-78	Bracket Susp. Chassis Front
88	532 17 51-18	Bolt Shoulder 7/16-20
91	532 17 55-53	Cup Steering
95	532 18 89-67	Washer Hardened
97	874 78 05-64	Bolt 5/16-18 unc x 4" L Gr. 5

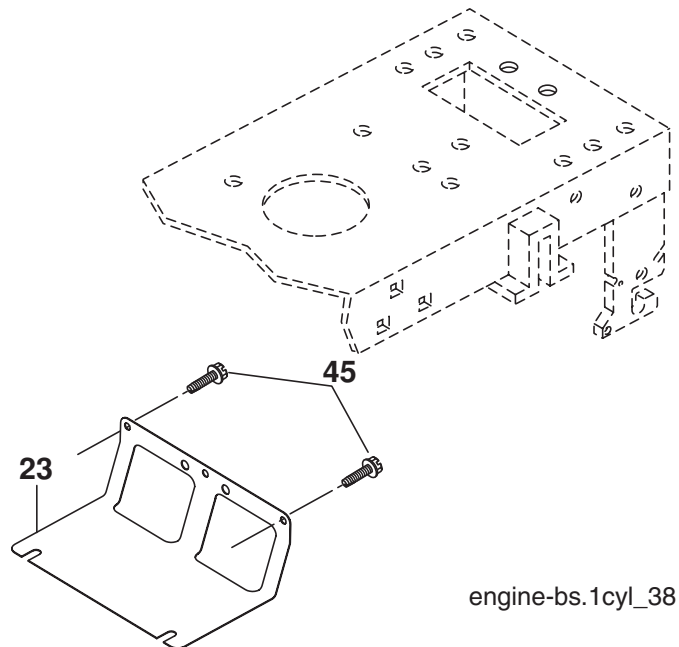
**NOTE:** All component dimensions given in U.S. inches.  
1 inch = 25.4 mm.

# REPAIR PARTS

TRACTOR- -MODEL NO. P12597 (96011023902) PRODUCT NO. 960 11 02-39  
ENIGNE



29  
**OPTIONAL EQUIPMENT**  
**Spark Arrester**



engine-bs.1cyl\_38

# REPAIR PARTS

TRACTOR- -MODEL NO. P12597 (96011023902) PRODUCT NO. 960 11 02-39  
ENIGNE

KEY NO.	PART NO.	DESCRIPTION
1	532 17 05-51	Control Th/ch Flag
2	817 72 04-08	Screw Hex Thd Cut 1/4-20 x 1/2
3	-----	Engine B&S Model No. 219807 (Order parts from engine manufacturer)
4	532 17 97-58	Muffler
13	532 16 52-91	Gasket Eng
14	532 14 84-56	Tube Drain Oil Easy
23	532 16 98-37	Shield Brn/Dbr Guard
25	532 19 06-95	Control Choke
29	532 13 71-80	Kit Spark Arrecter
31	532 40 75-16	Tank Fuel Front 1.25
32	532 19 77-25	Cap Asm Fuel Top
33	532 12 34-87	Clamp Hose Blk
37	532 13 70-40	Line Fuel 20"
38	532 18 16-54	Plug Oil Drain Easy
40	532 12 40-28	Bushing Snap Nyl Blk Fuel Line
44	817 67 04-12	Screw Hexwsh Thdrol 1/4-20 x 3/4
45	817 00 06-12	Screw Hexwsh Thdrol 3/8-16 x 3/4
46	819 09 14-16	Washer 9/32 x 7/8 x 16 Ga.
72	532 19 23-34	Screw Socket HD 5/16-18 x .75
78	817 06 06-20	Screw 3/8-16 x 1-1/4
81	873 51 04-00	Nut Keps Hex 1/4-20 unc

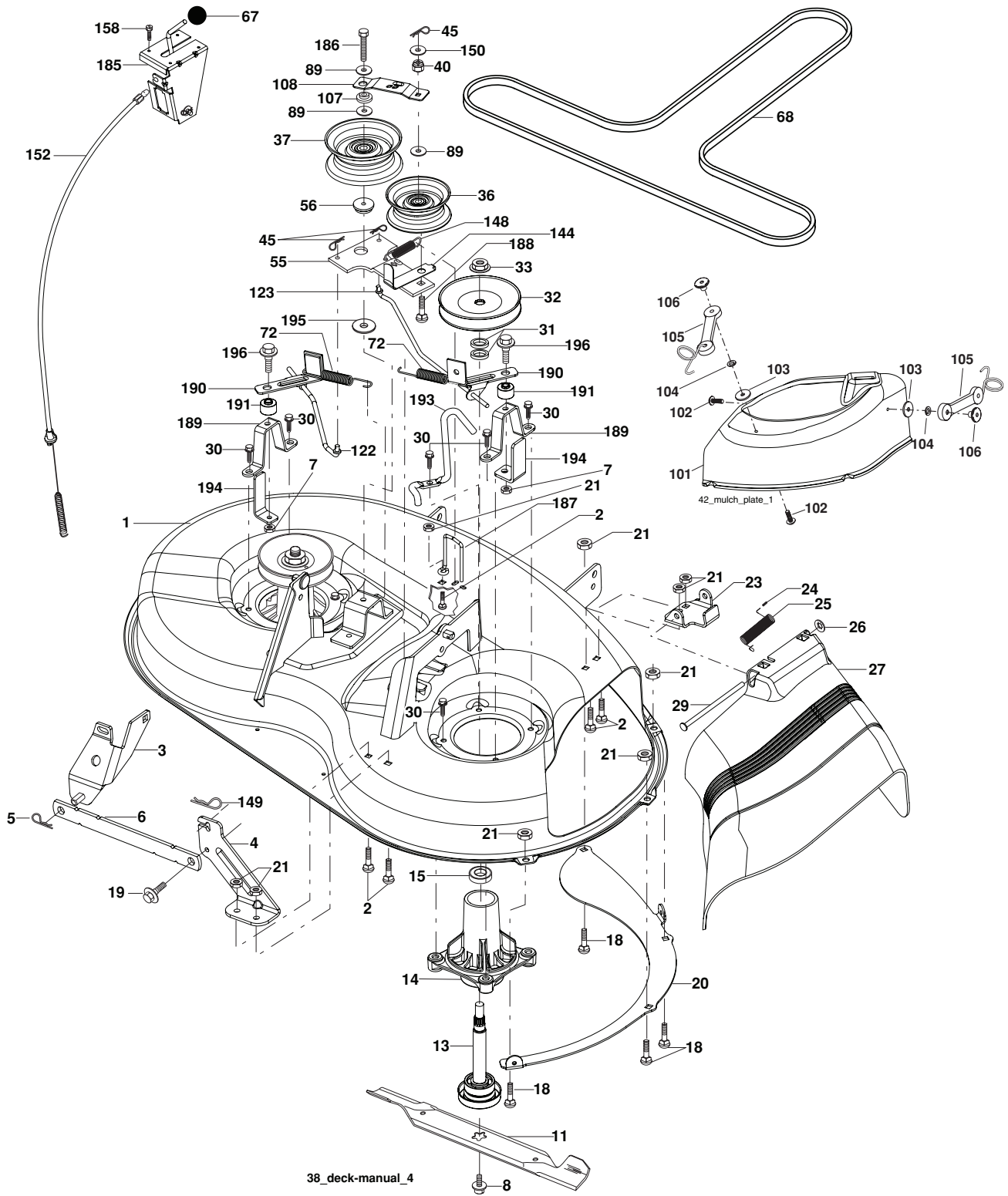
**NOTE:** All component dimensions given in U.S. inches  
1 inch = 25.4 mm

## Engine Power Rating Information

The gross power rating for individual gas engine models is labeled in accordance with SAE (Society of Automotive Engineers) code J11940 (Small Engine Power & Torque Rating Procedure), and rating performance has been obtained and corrected in accordance with SAE J1995 (Revision 2002-5). Actual gross engine power will be lower and is affected by, among other things, ambient operating conditions and engine-to-engine variability. Given both the wide array of products on which engines are placed and the variety of environmental issues applicable to operating the equipment, the gas engine will not develop the rated gross power when used in a given piece of power equipment (actual "on-site" or net horsepower). This difference is due to a variety of factors including, but not limited to, accessories (air cleaner, exhaust, charging, cooling, carburetor, fuel pump, etc.), application limitations, ambient operating conditions (temperature, humidity, altitude), and engine-to-engine variability. Due to manufacturing and capacity limitations, Briggs & Stratton may substitute an engine of higher rated power for this Series engine.

# REPAIR PARTS

TRACTOR- -MODEL NO. P12597 (96011023902) PRODUCT NO. 960 11 02-39  
MOWER



# REPAIR PARTS

**TRACTOR- -MODEL NO. P12597 (96011023902) PRODUCT NO. 960 11 02-39  
MOWER**

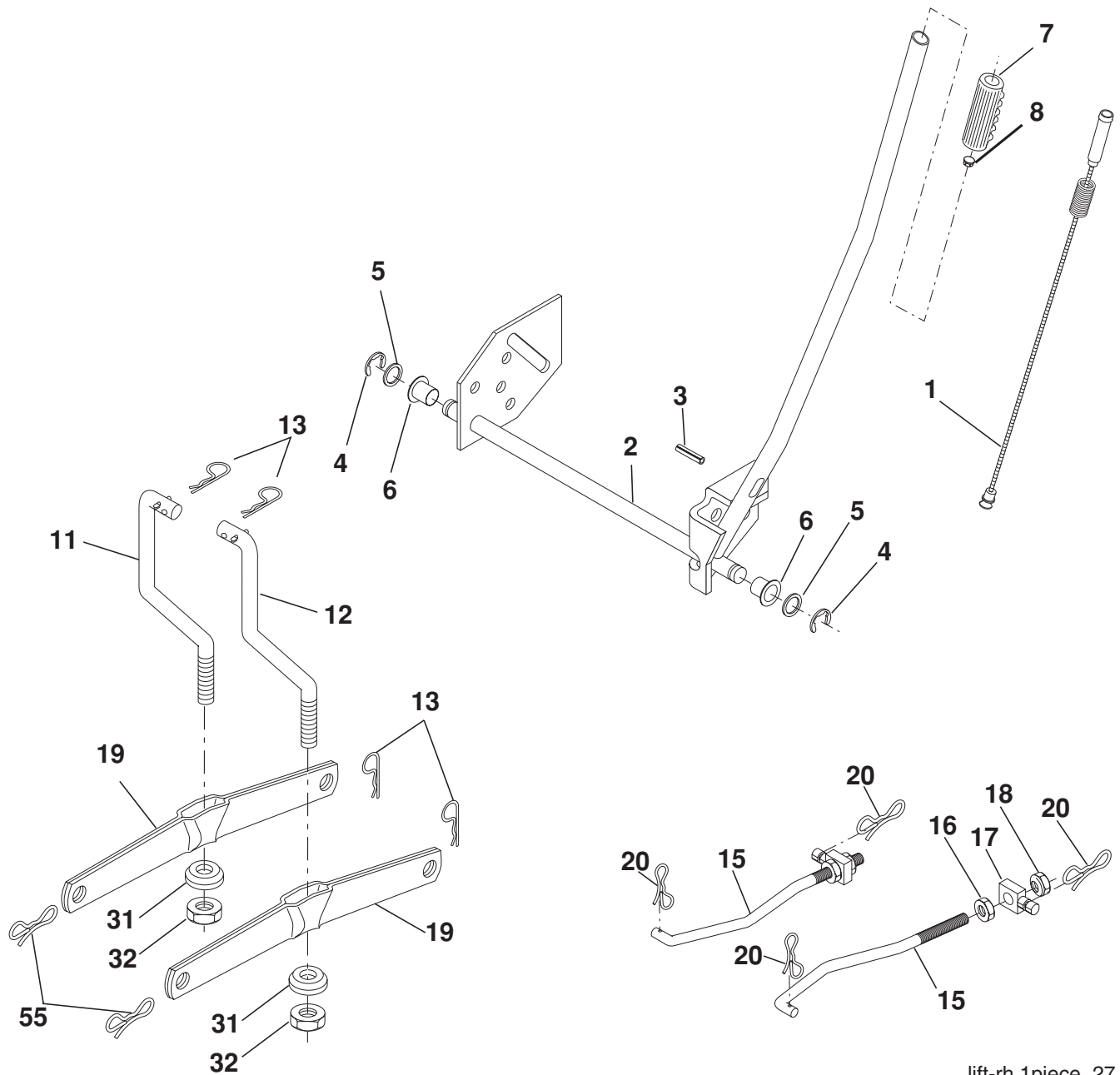
KEY NO.	PART NO.	DESCRIPTION	KEY NO.	PART NO.	DESCRIPTION
1	532 19 25-56	Mower Housing Assembly	103	819 06 12-16	Washer #10
2	872 14 05-06	Bolt Carriage 5/16-18 x 3/4	104	810 07 10-00	Washer Lock #10
3	532 13 80-17	Bracket Asm Fr. Sway Bar	105	532 16 07-93	Latch Asm.
4	532 19 25-68	Bracket Deck Sway Bar 38"/42"	106	532 12 50-04	Nut Weld .327/.304 #10-24
5	532 12 46-70	Retainer Spring	107	532 13 35-02	Spacer Retainer
6	532 17 80-24	Bar Sway Deck	108	532 13 35-03	Stiffener, Idler Arm
7	873 80 05-00	Nut Lock Hx W/INs. 5/16-18 unc	122	532 19 25-75	Rod, Brake LH
8	532 19 30-03	Bolt 3/8-24 x 1.25 Gr. 8	123	532 19 25-76	Rod, Brake RH
11	532 19 39-57	Blade Mower	144	532 19 34-14	Keeper Belt Idler Tension
13	532 19 28-72	Shaft Assembly, Mandrel, Vented	148	532 16 90-22	Spring Return Idler
14	532 18 72-81	Housing, Mandrel, Vented	149	532 16 58-98	Retainer Spring Yellow
15	532 11 04-85	Bearing, Ball, Mandrel	150	819 09 12-10	Washer 9/32 x 3/4 x 10 Ga.
18	872 14 05-05	Bolt Rdhd Sqnk 5/16-18 x 5/8	152	532 19 32-35	Clutch Cable 38"/46"
19	532 13 28-27	Bolt, Shoulder	158	817 72 04-08	Screw Hex Thd Cut 1/4-20 x 1/2
20	532 40 00-95	Baffle Vortex Front	185	532 18 82-34	Head Asm Cable Clutch
21	873 68 05-00	Nut	186	817 49 06-44	Screw Hex Wsh Thdrol 3/8-16 x 2-3/4
23	532 19 25-57	Bracket, Mower Deflector	187	532 19 34-12	Keeper Belt
24	532 10 53-04	Cap, Sleeve	188	532 16 58-91	Bolt Carriage Idler
25	532 19 70-26	Spring, Torsion, Deflector	189	532 19 25-59	Stand, Brake
26	532 11 04-52	Nut, Push	190	532 19 25-60	Arm, Brake
27	532 40 14-72	Shield, Deflector	191	532 19 25-61	Spacer, Brake
29	532 13 14-91	Rod, Hinge	193	532 19 34-13	Keeper Belt Rh Mandrel
30	532 17 39-84	Screw Thdrol.	194	532 19 41-05	Guard Brake
31	532 18 76-90	Washer, Spacer	195	819 13 32-10	Washer
32	532 15 35-32	Pulley, Mandrel	196	532 19 37-82	Bolt/Washer Asm 5/16-18
33	532 40 02-34	Nut, Toplock	--	532 19 25-58	Brake Assembly (Includes Stand, Arm and Guard Components)
36	532 13 14-94	Pulley, Idler, Flat	--	532 19 28-70	Mandrel Assembly (Includes housing, shaft assembly, and bearing only - pulley/nut/washer and blade bolt/washers not included)
37	532 19 31-98	Pulley Idler Flat	--	532 19 36-46	Replacement Mower, Complete
40	873 68 06-00	Nut, Crownlock 3/8-16 unc			
45	532 12 47-88	Retainer			
55	532 13 38-40	Idler Arm Assembly			
56	532 16 57-23	Spacer, Retainer			
67	532 10 69-32	Knob			
68	532 19 32-14	V-Belt			
72	532 19 32-16	Spring Brake Return			
89	819 13 13-11	Washer 13/32 x 13/16 x 11 Ga.			
101	532 19 25-73	Cover Mulching			
102	871 08 10-10	Screw Pan Hd Phillip 10-24 x 5/8			

**NOTE:** All component dimensions given in U.S. inches  
1 inch = 25.4 mm



# REPAIR PARTS

TRACTOR- -MODEL NO. P12597 (96011023902) PRODUCT NO. 960 11 02-39  
MOWER LIFT



lift-rh.1piece\_27

KEY NO.	PART NO.	DESCRIPTION
1	532 15 94-60	Wire Asm Inner W/Plunger
2	532 15 94-71	Shaft Asm Lift
3	532 10 57-67	Pin Groove
4	812 00 00-02	E Ring #5133-62
5	819 21 16-21	Washer PLTD 21/32 x 1 x 21Ga
6	532 12 01-83	Bearing Nylon Blk 629 Id
7	532 10 94-13	Grip Handle Bicycle Matte Blk
8	532 12 45-26	Button Plunger Black
11	532 13 98-65	Link Lift LH
12	532 13 98-66	Link Lift RH
13	532 12 46-70	Retainer Spring

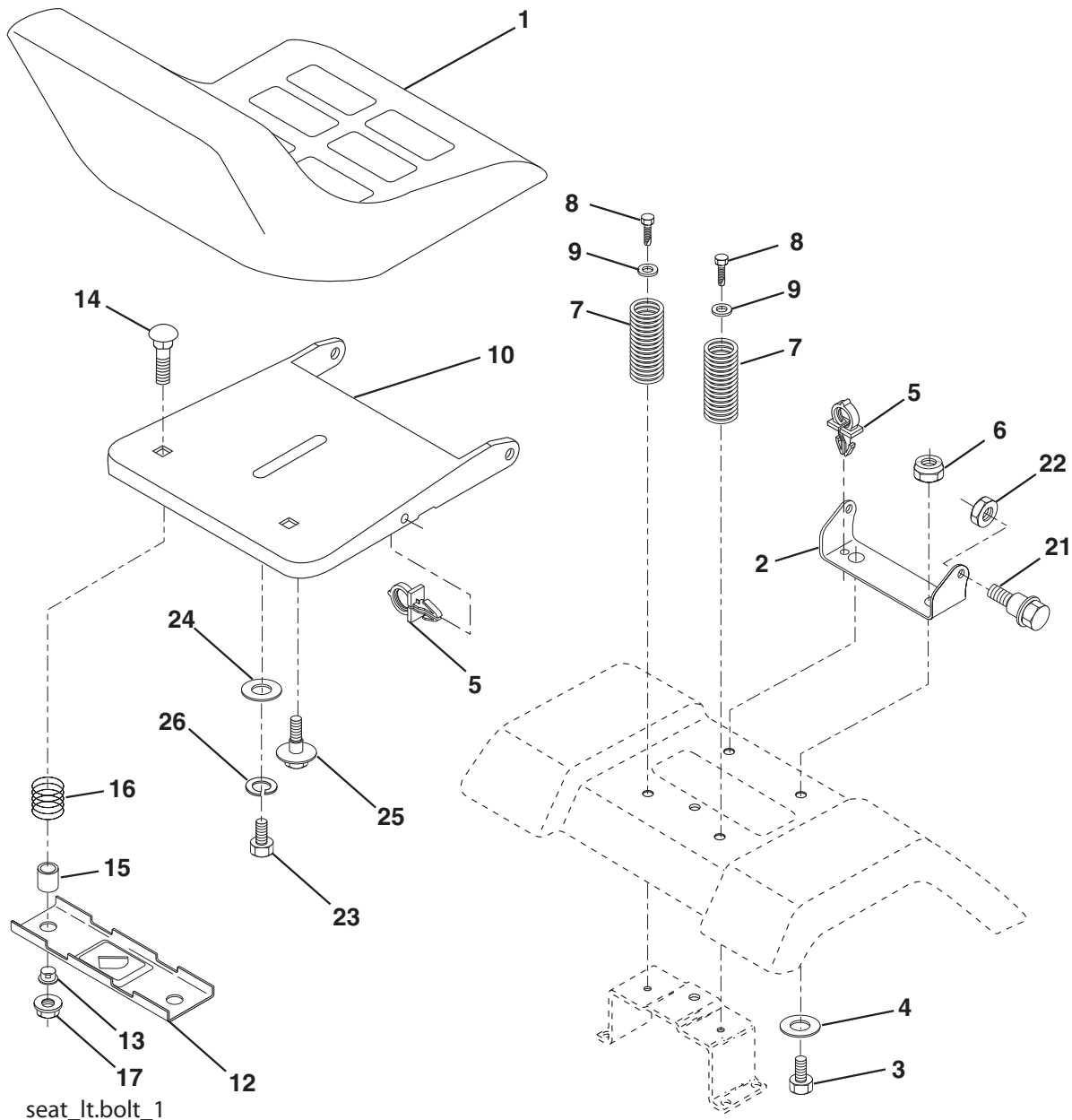
KEY NO.	PART NO.	DESCRIPTION
15	532 17 32-88	Link Front
16	873 35 08-00	Nut Jam Hex 1/2-13 unc
17	532 17 56-89	Trunnion
18	873 80 08-00	Nut Lock W/Wsh 1/2-13 unc
19	532 13 98-68	Arm Suspension Rear
20	532 19 42-09	Pin Cotter 7/16 Bow Tie Lock
31	532 16 98-65	Bearing Pvt Lift
32	873 54 06-00	Nut Crownlock 3/8-24
55	532 19 42-08	Pin Cotter 5/16 Bow Tie Lock

**NOTE:** All component dimensions given in U.S. inches  
1 inch = 25.4 mm



# REPAIR PARTS

TRACTOR- -MODEL NO. P12597 (96011023902) PRODUCT NO. 960 11 02-39  
SEAT ASSEMBLY



KEY NO.	PART NO.	DESCRIPTION
1	532 40 10-42	Seat
2	532 14 05-51	Bracket Pivot Seat 8 720
3	871 11 06-16	Bolt Fin Hex 3/8-16 unc x 1
4	819 13 16-10	Washer 13/32 x 1 x 10 Ga
5	532 14 50-06	Clip Push-In
6	873 80 06-00	Nut Lock Hex w/Wsh 3/8-16 unc
7	532 12 41-81	Spring Seat Cprsn 2 250 Blk Zi
8	817 00 06-16	Screw 3/8-16 x 1.5
9	819 13 16-14	Washer 13/32 x 1 x 14 Ga.
10	532 19 55-30	Pan Seat
12	532 17 46-48	Bracket Mounting Switch
13	532 12 12-48	Bushing Snap Blk Nyl 50 Id

KEY NO.	PART NO.	DESCRIPTION
14	872 05 04-12	Bolt Rdhd Sht Nk 1/4-20 x 1-1/2
15	532 13 43-00	Spacer Split 28 x 96 Yel Zinc
16	532 12 12-50	Spring Cprsn 1 27 Blk Pnt
17	532 12 39-76	Nut Lock 1/4 Lge Flg Gr 5 Zinc
21	532 17 18-52	Bolt Shoulder 5/16-18 unc -2A
22	873 80 05-00	Nut Lock Hex W/Insert 5/16-18 unc
23	871 11 08-14	Bolt Hex
24	819 17 19-12	Washer 17/32 x 1-3/16 x 12 Ga.
25	532 12 70-18	Bolt Shoulder 5/16-18 x 62
26	810 04 08-00	Washer Lock Hvy HLCLSPR 1/2

**NOTE:** All component dimensions given in U.S. inches.  
1 inch = 25.4 mm