

brand	PARTNER
-------	---------

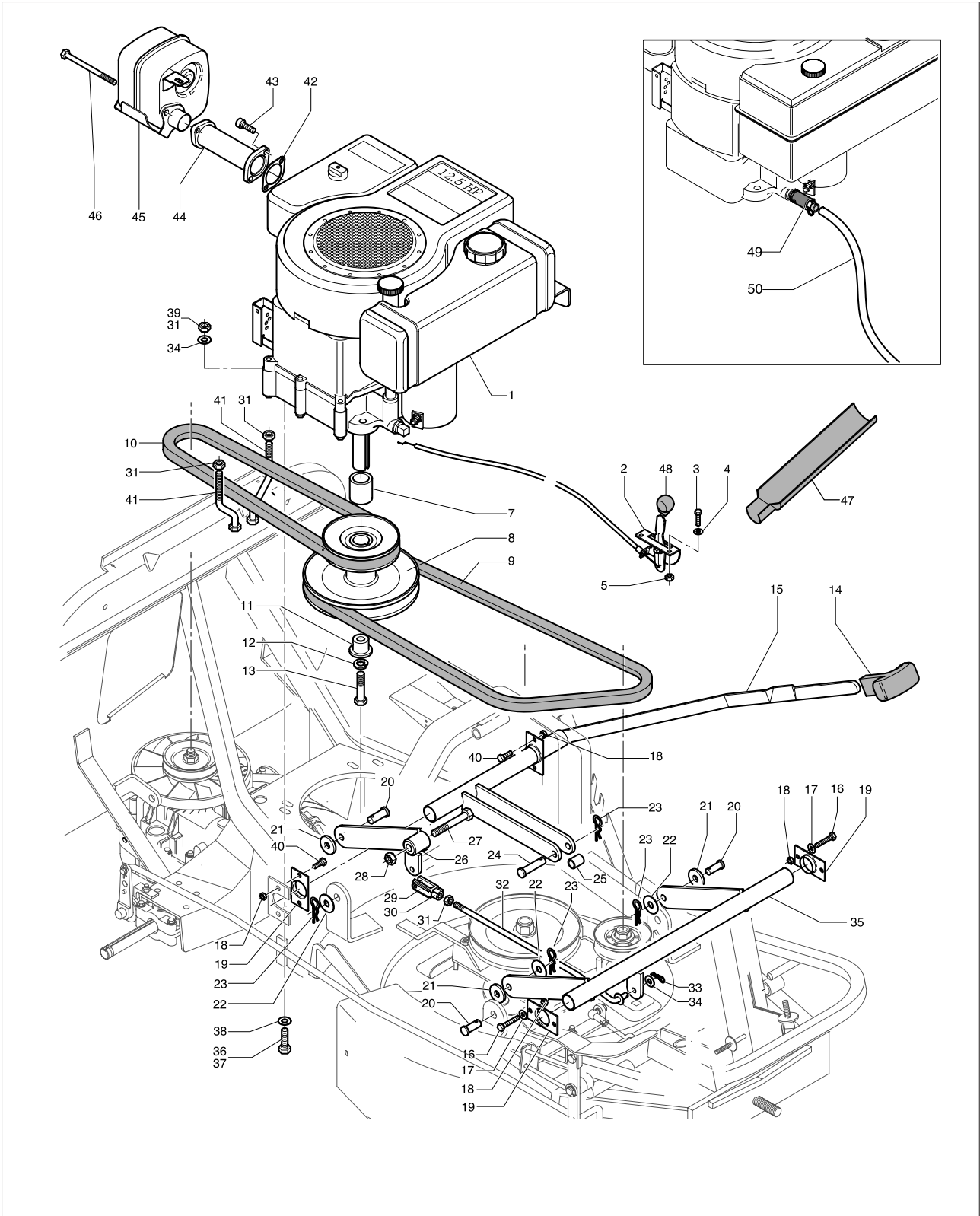
date	MAY/03	SHEET 1/16
------	--------	------------

Model

<b>P 1276 HCRD</b>

Product number

<b>9538780-25</b>



brand	<b>PARTNER</b>
-------	----------------

date	<b>APR/03</b>	SHEET 2/16
------	---------------	------------

Model

<b>P 1276 HCRD</b>

Product number

<b>9538780-25</b>

Pos.	PN ELX	PN MEP	DESCRIPTION	Q.ty	NOTE
1	531200442	BS286707	motor	1	HP12,5 IC 1"X 8
2	531206972	10303430	accelerador	1	
3	531207838	10830300	screw	2	TE M5x16 UNI 5739-8,8-ZB
4	531207786	10805000	washer	2	5x10x1
5	531208492	20282100	nut	2	M5H7UNI7473-ZB
7	531207030	10330370	spacer	1	
8	531211247	10303530	pulley	1	
9	531211154	10303500	belt	1	
10	531207010	10330130	belt	1	X13-845 Lp
11	531206857	10301900	spacer	1	12X25,3X23,5 Z
12	531206859	10301920	washer	1	D.12 UNI 7980 ZNT
13	531206858	10301910	screw	1	TE7/16"UNIF L=2"
14	531207024	10330253	knob	1	
15	531206956	10303230	cutter lift complete lever	1	
16	531208425	20228705	screw	4	TE M6x35 UNI 5737-8,8-ZB
17	531205377	10126000	washer	3	6x18x1,5
18	531208491	20281800	nut	8	M6H8UNI7473-ZB
19	531206770	10300680	hinge support	3	
20	531206913	10302720	pin	3	D.10x28
21	531206809	10301170	washer	3	D.10,3X30X3
22	531207989	20113000	washer	3	10x30x2,5
23	531206917	10302760	cotter pin	4	D.2.5x50 CE
24	531206912	10302710	pin	1	D.10x45
25	531206875	10302240	bushing	1	D.11x14x19
26	531206807	10301150	rear leverage	1	
27	531206780	10300830	screw	1	TSPEI M10X70 UNI5933 ZNT
28	531207161	10501160	nut	1	M10 H12 UNI7473-ZB
29	531206797	10301020	kalvas	1	M8x32 UNI1676 L=58
30	531206814	10301220	clips for kalvas	1	M8
31	531207982	20106300	nut	2	M8 H8 UNI 5587-6S ZB
32	531206795	10301000	plate lift tie rod	1	1,8 x 33
33	531206653	10281400	cotter pin	1	8x16x1,5 ZB
34	531204922	10114200	washer	5	
35	531206812	10301200	front leverage	1	
36	531205196	10121700	screw	3	TE M8x35 UNI 5739-8,8-ZB
37	531206945	10303090	screw	1	TE M8X50-8.8-UNI5739 ZB
38	531204904	10066300	washer	4	8x24x2
39	531208599	20404900	nut	3	M8 H10 UNI7473-ZB
40	531208660	20501370	screw	4	TE M6x20 UNI 5739-8,8-ZB
41	531206961	10303280	screw	2	
42	531208565	20303220	gasket	1	B&S
43	531206914	10302730	screw	2	TCEI 5/16"UNCX 5/8"(15,87)
44	531208548	20301850	tube	1	B&S 28D
45	531208563	20303200	silencer	1	
46	531208564	20303210	tie rod	2	B&S
47	531207031	10330383	funnel oil change	1	
48	531206970	10303403	knob	1	
49	531206976	10303460	plug	1	
50	531206978	10303480	tube	1	D17/12

brand	<b>PARTNER</b>
-------	----------------

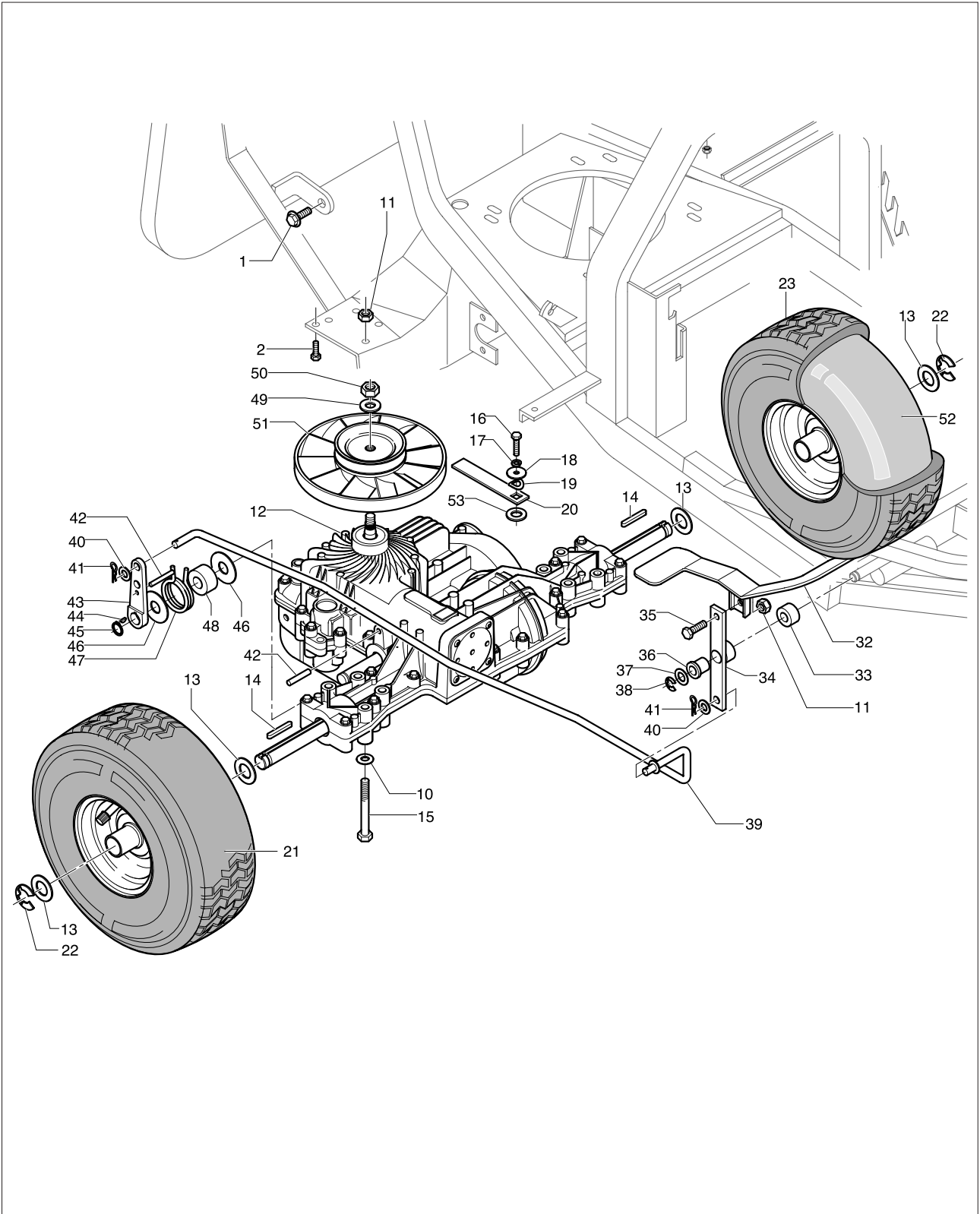
date	<b>APR/03</b>	SHEET 3/16
------	---------------	------------

Model

<b>P 1276 HCRD</b>

Product number

<b>9538780-25</b>



brand	<b>PARTNER</b>
-------	----------------

date	<b>APR/03</b>	SHEET 4/16
------	---------------	------------

Model

P 1276 HCRD

Product number

<b>9538780-25</b>

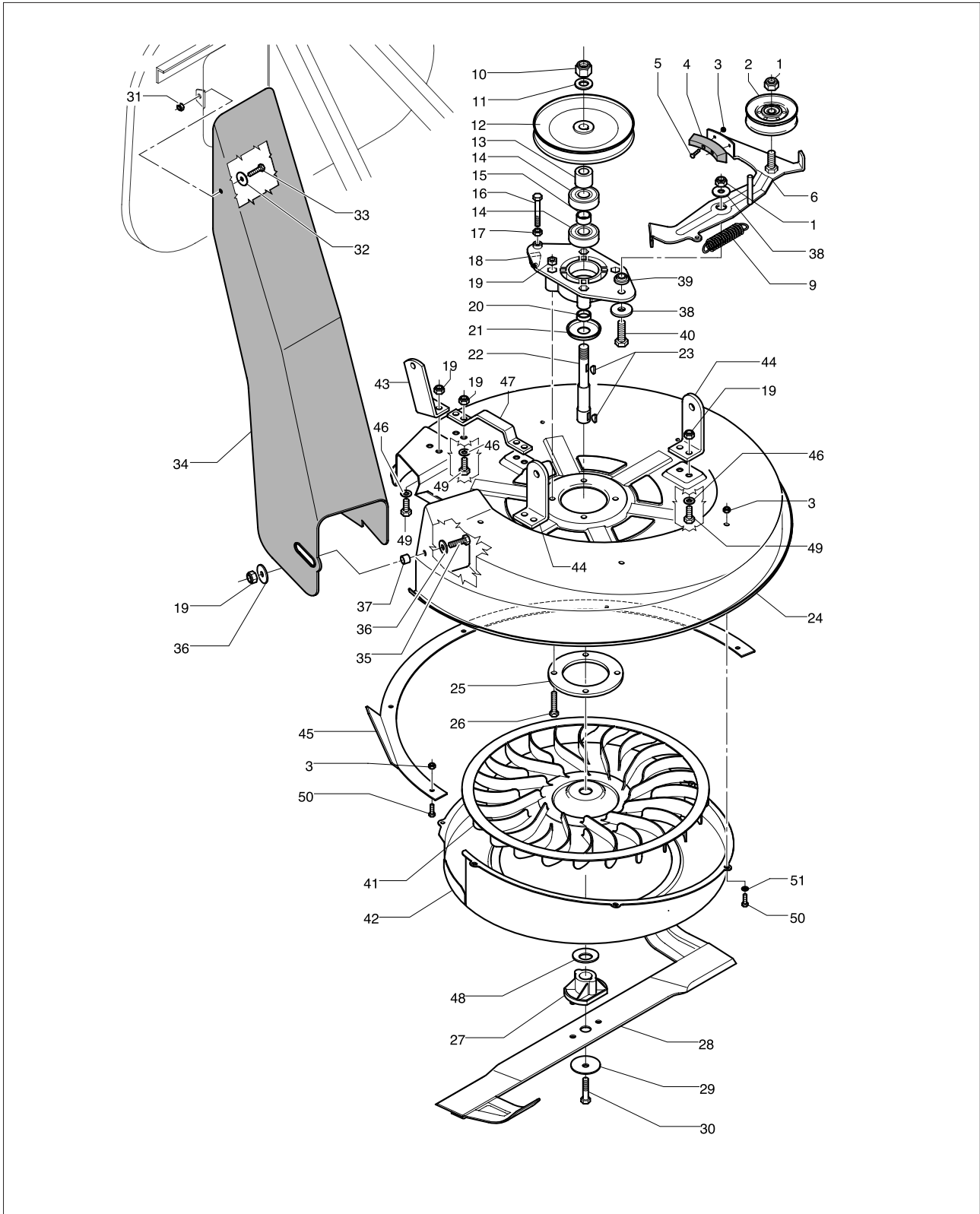
Pos.	PN ELX	PN MEP	DESCRIPTION	Q.ty	NOTE
1	531206922	10302810	screw	1	TE M8x20 TRILOB.
10	531204922	10114200	washer	8	8x16x1,5 ZB
11	531208599	20404900	nut	1	M8 H10 UNI7473-ZB
12	531206925	10302840	differential gear	1	VST 205-0
13	531206725	10300160	spacer	3	ITT 20,2x30x1
14	531206726	10300180	tab	2	5x4,7x40
15	531206681	10291000	screw	8	TE M8x60 UNI 5737-8,8-ZB
16	531206803	10301080	screw	1	TE 1/4" UNF 5/8"(16)-8.8G
17	531206731	10300230	washer	1	D.6 DIN128 TIPO B ZNT
18	531207860	10832200	washer	1	6x24x2
19	531206644	10275100	washer	2	UNI 8840-B12(13/24/0,8
20	531206784	10300882	gear release lever	1	
21	531206710	10300000	wheel	1	15x6. 00-6 DX(YELLOW)
21	531206709	1030000E	wheel	1	15x6. 00-6 DX
22	531206727	10300190	Benzing ring	2	DIN 6799 D.15
23	531206712	10300010	wheel	1	15x6. 00-6 SX
23	531206711	1030001E	wheel	1	15x6. 00-6 SX
32	531206939	10303033	gear pedal	1	
33	531206802	10301070	spacer	1	D.12,3x25x12,5 ZNT
34	531206935	10302990	lever	1	
35	531208585	20382300	screw	1	TE M8x20 UNI 5739-8.8-ZB
36	531206801	10301060	bushing	1	
37	531206800	10301050	spacer	1	D.12,3x20x 0,5 ITA
38	531206839	10301640	Benzing ring	1	DIN.6799 D.9
39	531206936	10303000	rod	1	
40	531207122	10428900	washer	1	10x21x2
41	531206653	10281400	cotter pin	2	1,8 x 33
42	531203548	T0786174	cotter pin	2	
43	531203584	T0798037	gear coupling lever	1	
44	531203581	T0792175	key	1	
45	531203571	T0792035	lock ring	1	
46	531203580	T0792174	washer	2	
47	531203583	T0798027	spring	1	
48	531203547	T0786173	spacer	1	
49	531203578	T0792150	washer	1	
50	531203579	T0792151	nut	1	
51	531203582	T0798023	pulley	1	
52	531208576	20330310	nner tube	2	
53	531207155	10500770	washer	1	12x24x2

brand	<b>PARTNER</b>
-------	----------------

date	<b>APR/03</b>	SHEET 5/16
------	---------------	------------

Model	<b>P 1276 HCRD</b>

Product number	<b>9538780-25</b>



brand	<b>PARTNER</b>
-------	----------------

date	<b>APR/03</b>	SHEET 6/16
------	---------------	------------

Model

P 1276 HCRD

Product number

<b>9538780-25</b>

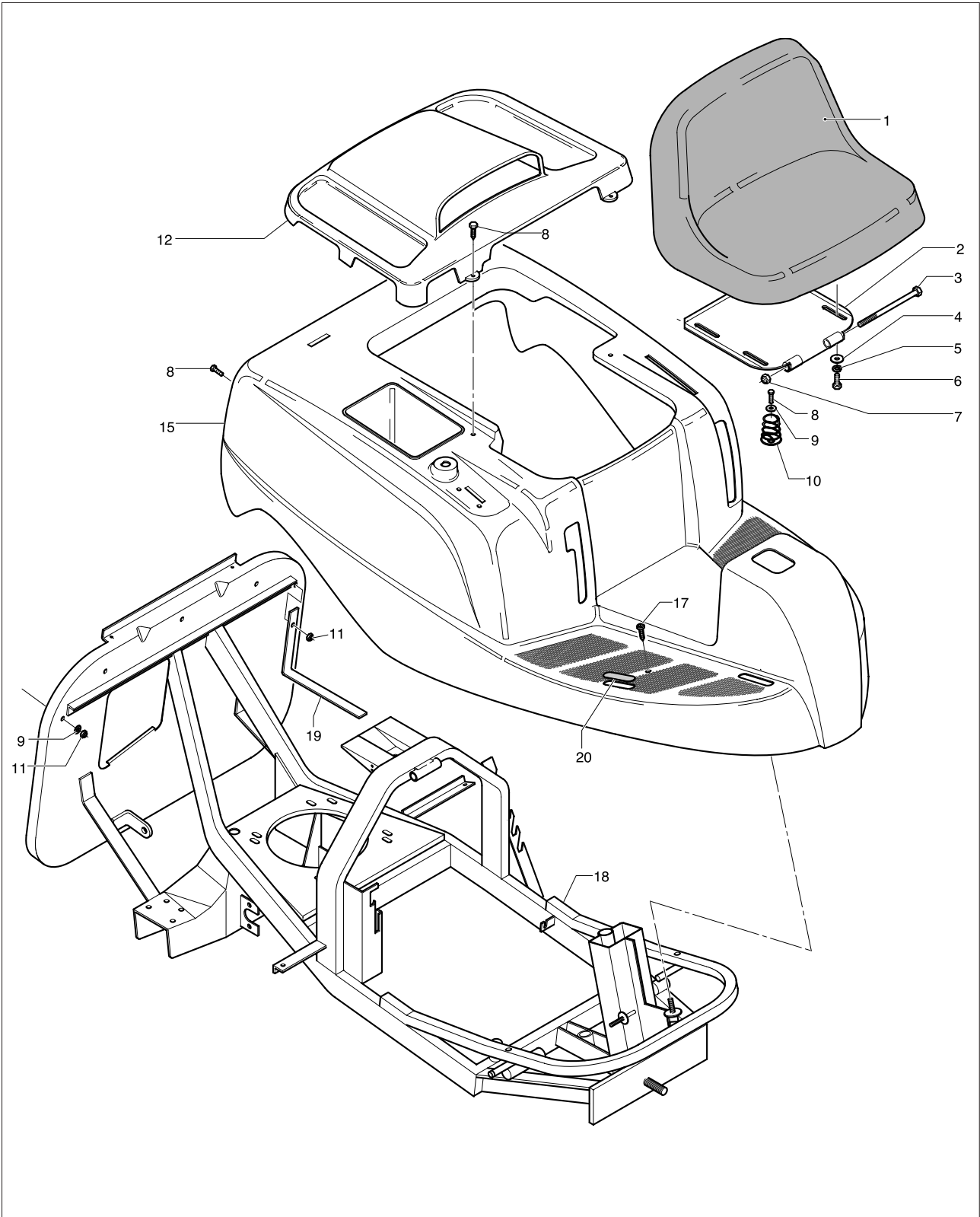
Pos.	PN ELX	PN MEP	DESCRIPTION	Q.ty	NOTE
1	531206835	10301560	nut	1	M12 ALTO CL.6
2	531206834	10301550	belt-tightener wheel	1	
3	531208492	20282100	nut	13	M5H7UNI7473-ZB
4	531206836	10301580	cutter brake ferodo	1	
5	531207838	10830300	screw	2	TE M5x16 UNI 5739-8,8-ZB
6	531206833	10301510	cutter belt-tightener lever	1	
9	531206962	10303290	spring	1	
10	531206831	10301490	nut	1	M16 UNI 7473 CL.8.8
11	531206744	10300380	washer	1	D17x30x2.5 UNI6592 ZNT
12	531206829	10301470	pulley	1	ZNT D.178 FORO D.16
13	531206828	10301460	spacer	1	D.17x30x25,5 ZNT
14	531206830	10301480	ball-bearing	2	6304-2RS
15	531206818	10301360	spacer	1	
16	531207105	10407600	screw	1	TE M8x70 UNI 5737-8,8-ZB
17	531207982	20106300	nut	1	M8 H8 UNI 5587-6S ZB
18	531206934	10302980	hub	1	
19	531208599	20404900	nut	15	M8H10UNI7473-ZB
20	531206821	10301390	spacer	1	D.20x25x7
21	531206823	10301410	eccentric hood	1	
22	531206819	10301370	blade support shaft	1	
23	531204907	10100900	key	2	4x6,5 UNI6606 WODRUF
24	531206946	10303103	plate	1	76 cm.
25	531206822	10301400	reinforcement flange	1	
26	531204905	10069100	screw	4	TE M8x45 UNI 5739-8,8-ZB
27	531206824	10301420	bearing blade	1	
28	531211150	10303520	blade	1	
29	531207237	10530900	washer	1	11x50x2,5
30	531208008	20120580	screw	1	TE 3/8 UNF-x37-8,8 1/2F ZB
31	531208491	20281800	nut	1	M6H8UNI7473-ZB
32	531207860	10832200	washer	2	6x24x2
33	531208053	20122600	screw	1	M6x20 TE FL
34	531206840	10301653	grass loading tunnel	1	
35	531205196	10121700	screw	1	TE M8x35 UNI 5739-8,8-ZB
36	531206842	10301670	washer	2	D.8.5x32x2.5 UNI6593
37	531206838	10301600	spacer	1	D10X14X16 ZNT
38	531206943	10303070	washer	2	D.12,5X36X2,5 Z
39	531206942	10303060	bushing	1	
40	531206944	10303080	screw	1	TE M12X35-8,8-UNI5739 ZB
41	531206950	10303133	cooling fan	1	
42	531206948	10303113	cover	1	
43	531206953	10303160	square	1	
44	531206954	10303170	square	2	
45	531206957	10303243	deflector	1	
46	531204922	10114200	washer	10	8x16x1,5 ZB
47	531206959	10303263	support	1	
48	531206966	10303340	belleville washer	1	DIN2093-D45/22
49	531208585	20382300	screw	10	TE M8x20 UNI 5739-8,8-ZB
50	531206963	10303300	screw	11	TE M5x14 - UNI 5739-8.82
51	531206666	10284700	washer	5	5/15/1,5 ZB

brand	<b>PARTNER</b>
-------	----------------

date	<b>APR/03</b>	SHEET 7/16
------	---------------	------------

Model	<b>P 1276 HCRD</b>

Product number	<b>9538780-25</b>



brand	<b>PARTNER</b>
-------	----------------

date	<b>APR/03</b>	SHEET 8/16
------	---------------	------------

Model

<b>P 1276 HCRD</b>

Product number

<b>9538780-25</b>

Pos.	PN ELX	PN MEP	DESCRIPTION	Q.ty	NOTE
1	<b>531206880</b>	<b>10302593</b>	seat	1	
2	<b>531206877</b>	<b>10302563</b>	seat fixture plate	1	
3	<b>531206878</b>	<b>10302570</b>	screw	1	M8x150 UNI5737 ZNT
4	<b>531204904</b>	<b>10066300</b>	washer	4	8x24x2
5	<b>531206617</b>	<b>10239900</b>	washer	4	8E
6	<b>531208585</b>	<b>20382300</b>	screw	4	TE M8x20 UNI 5739-8.8-ZB
7	<b>531208599</b>	<b>20404900</b>	nut	1	M8 H10 UNI7473-Z
8	<b>531208053</b>	<b>20122600</b>	screw	7	M6x20 TE FL
9	<b>531207860</b>	<b>10832200</b>	washer	6	6x24x2
10	<b>531206879</b>	<b>10302580</b>	seat conical spring	1	
11	<b>531208491</b>	<b>20281800</b>	nut	6	M6 H8 UNI7473-ZB
12	<b>531206998</b>	<b>10330020</b>	engine cowling	1	
15	<b>531210791</b>	<b>10330461</b>	engine cowling	1	
17	<b>531206903</b>	<b>10302660</b>	screw	2	D.6x25 ZNT SPECIAL
18	<b>531206933</b>	<b>10302973</b>	frame	1	
19	<b>531206894</b>	<b>10302630</b>	silencer guard	1	
20			plug	1	



brand	<b>PARTNER</b>
-------	----------------

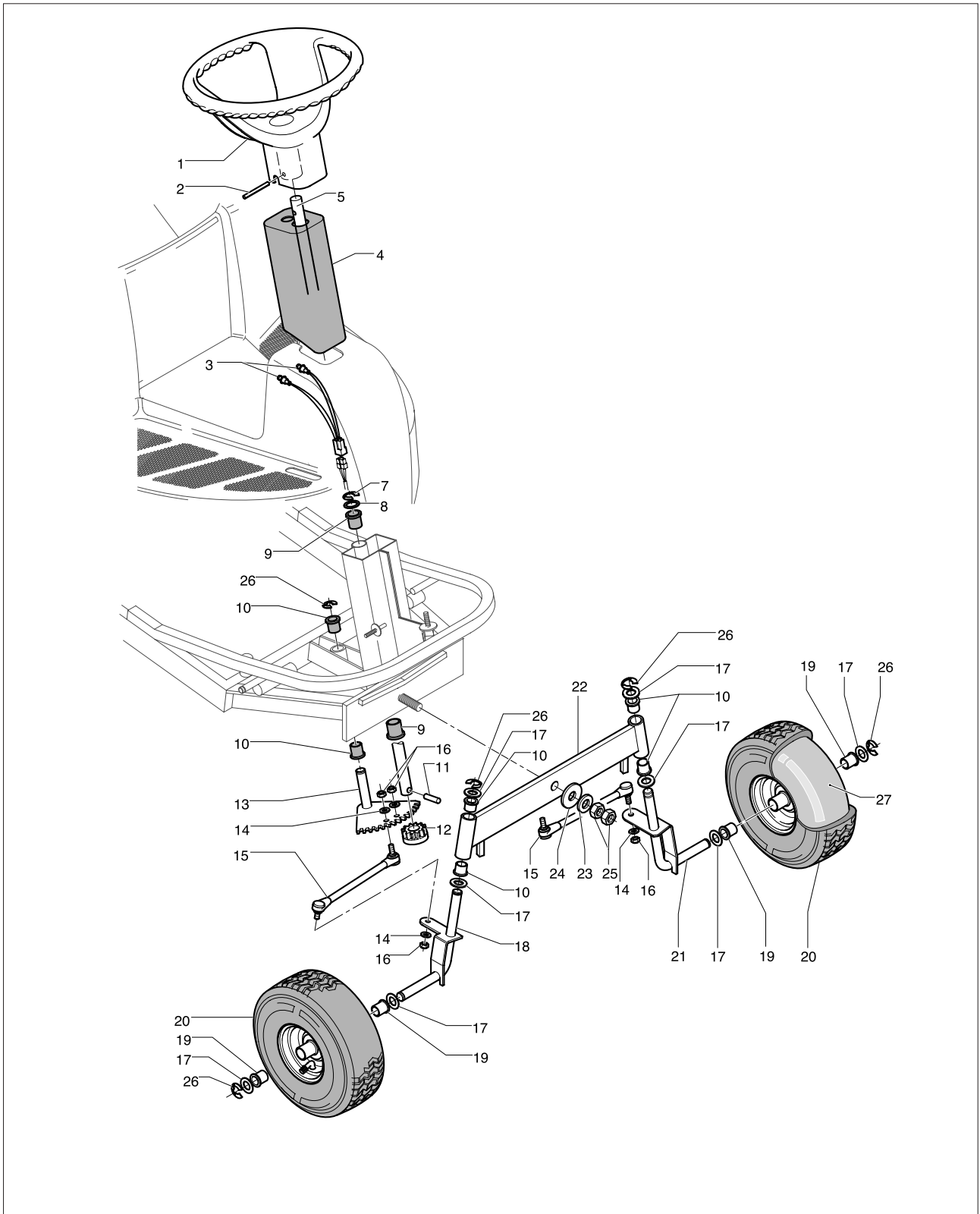
date	<b>APR/03</b>	SHEET 9/16
------	---------------	------------

Model

<b>P 1276 HCRD</b>

Product number

<b>9538780-25</b>



brand	<b>PARTNER</b>
-------	----------------

date	<b>APR/03</b>	SHEET 10/16
------	---------------	-------------

Model

<b>P 1276 HCRD</b>

Product number

<b>9538780-25</b>

Pos.	PN ELX	PN MEP	DESCRIPTION	Q.ty	NOTE
1	531206749	10300453	steering wheel	1	D.340 N.2 RAZZE
2	531206750	10300460	pin	1	6x60
3	531206929	10302920	green-red led	1	
4	531207002	10330043	steering cover tower	1	
5	531206751	10300470	steering shaft	1	D.20x590
7	531206727	10300190	Benzing ring	1	DIN 6799 D.15
8	531206725	10300160	spacer	1	ITT 20,2x30x1
9	531206757	10300530	nylon bushing	2	20x25x30
10	531206742	10300360	bearing	6	D.16,25X20=
11	531206756	10300520	pin	1	8x36 UNI6875
12	531206753	10300490	steering gear	1	M.3.5
13	531206747	10300430	steering bevel gear	1	
14	531206617	10239900	washer	4	8E
15	531206745	10300410	steering arm	2	
16	531207982	20106300	nut	4	M8 H8 UNI 5587-6S ZB
17	531206744	10300380	washer	8	D17x30x2.5 UNI6592 ZNT
18	531206737	10300300	wheel bearing	1	DX
19	531208555	20302930	bushing	4	
20	531206714	10300020	wheel	2	11x4.00-4 (280X11) yellow
20	531206713	1030002E	wheel	2	11x4.00-4(280x110) grey
21	531206738	10300320	wheel bearing	1	SX
22	531206736	10300283	front axle	1	
23	531206740	10300340	belleville washer	1	D.16,5x34x3,5
24	531206741	10300350	washer	1	D.18x48x4 UNI6593 ZNT
25	531206739	10300330	nut	2	M16 UNI 5588 ZNT
26	531206926	10302850	lock ring	5	D.12
27	531208575	20330300	inner tube	2	

brand	<b>PARTNER</b>
-------	----------------

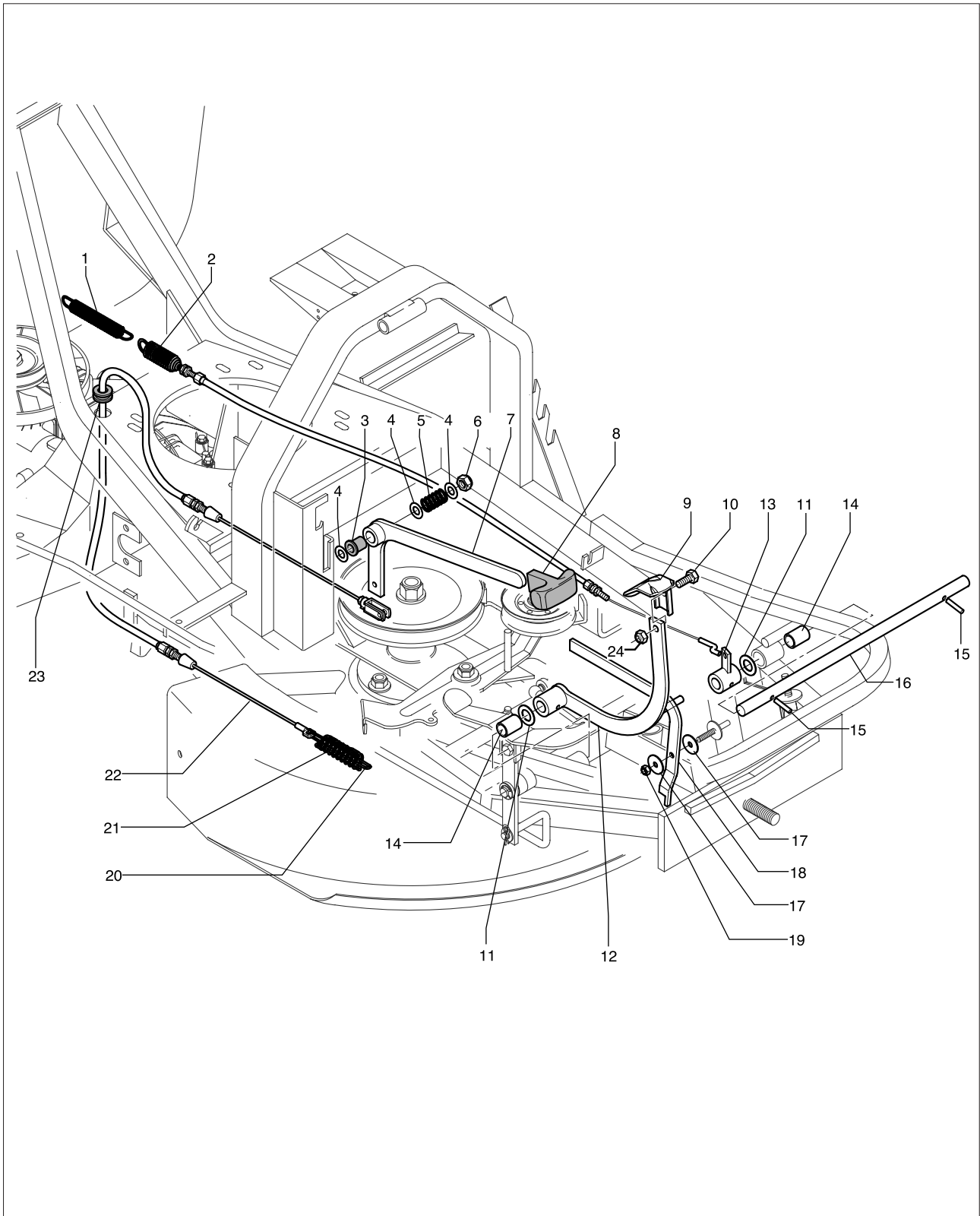
date	<b>APR/03</b>	SHEET 11/16
------	---------------	-------------

Model

<b>P 1276 HCRD</b>

Product number

<b>9538780-25</b>



brand	<b>PARTNER</b>
-------	----------------

date	<b>APR/03</b>	SHEET 12/16
------	---------------	-------------

Model

<b>P 1276 HCRD</b>

Product number

<b>9538780-25</b>

Pos.	PN ELX	PN MEP	DESCRIPTION	Q.ty	NOTE
1	531206924	10302830	spring	1	
2	531206811	10301190	comp.transmission	1	
3	531206801	10301060	nylon bushing	1	
4	531206760	10300580	thickness element	3	D.10.1x19x0.3 ITT
5	531206759	10300560	spring	1	
6	531207161	10501160	nut	1	M10 H12 UNI7473-ZB
7	531206758	10300550	blade coupling lever	1	
8	531207024	10330253	knob	1	
9	531206773	10300743	comp.brake pedal	1	
10	531208585	20382300	screw	1	TE M8x20 UNI 5739-8.8-ZB
11	531206782	10300850	spacer	2	D.15,2x22x0,5 ITT
12	531206771	10300710	brake pedal lever	1	
13	531206777	10300780	wire hitch bushing	1	14x1
14	531206776	10300770	nylon bushing	2	
15	531206772	10300720	pin	2	5x30 Din 7343 C70-C72
16	531206775	10300760	shaft	1	
17	531207860	10832200	washer	2	6x24x2
18	531207005	10330082	brake lever	1	
19	531208491	20281800	nut	1	M6 H8 UNI7473-ZB
20	531206765	10300630	washer hook	2	
21	531206779	10300820	spring	1	D.20x61x3 ZNT TROP.
22	531206762	10300600	comp.transmission	1	
23	531206763	10300610	guiding slit	1	
24	531208599	20404900	nut	1	M8 H10 UNI7473-ZB

brand	<b>PARTNER</b>
-------	----------------

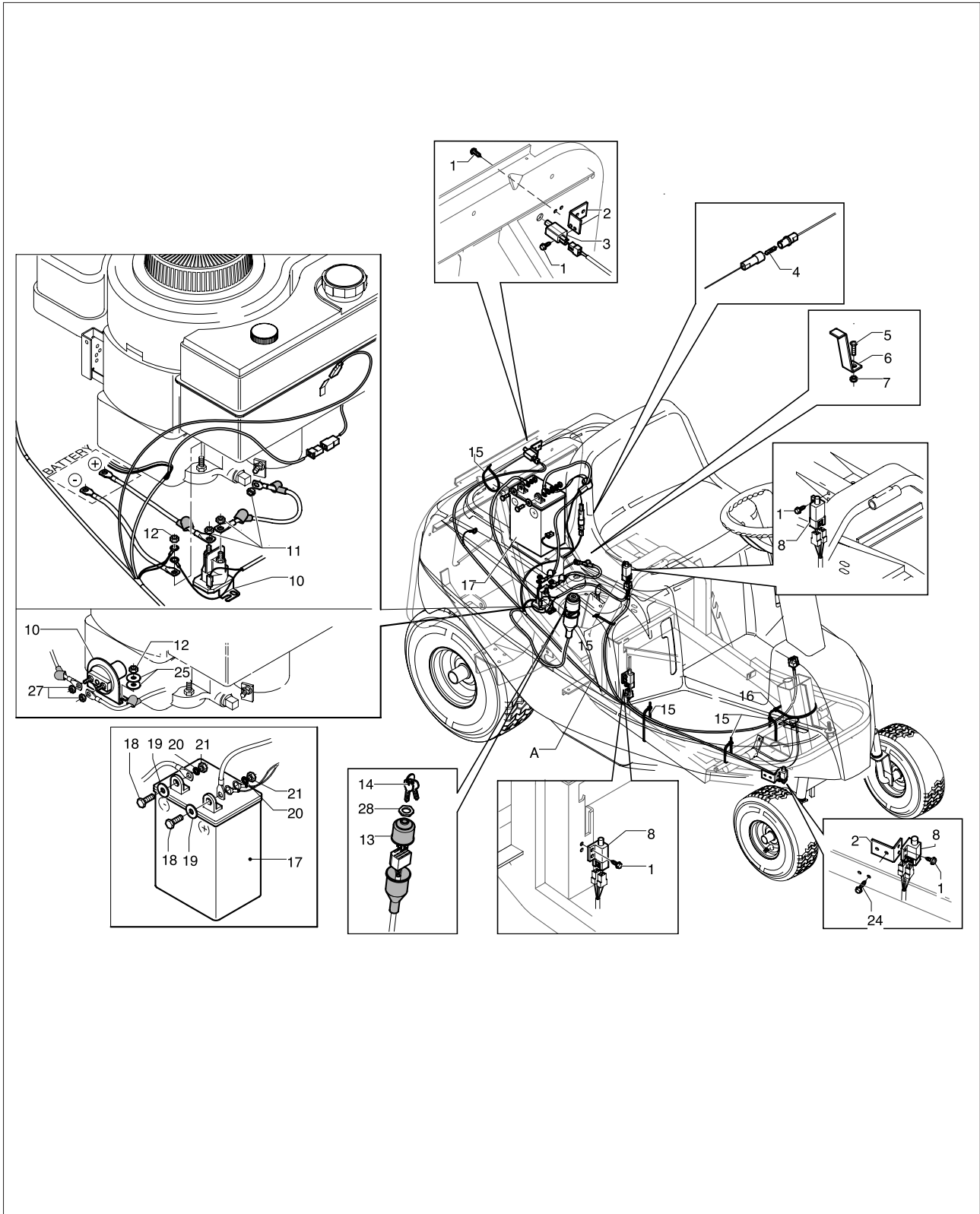
date	<b>APR/03</b>	SHEET 13/16
------	---------------	-------------

Model

<b>P 1276 HCRD</b>

Product number

<b>9538780-25</b>



brand	<b>PARTNER</b>
-------	----------------

date	<b>APR/03</b>	SHEET 14/16
------	---------------	-------------

Model

<b>P 1276 HCRD</b>

P roduct number

<b>9538780-25</b>

Pos.	PN ELX	PN MEP	DESCRIPTION	Q.ty	NOTE
A	<b>531206865</b>	<b>10301990</b>	electric plant	1	
1	<b>531206910</b>	<b>10302680</b>	screw	10	TE.FR. D.5.5x13 Z
2	<b>531206871</b>	<b>10302050</b>	bearing	2	
3	<b>531206870</b>	<b>10302040</b>	microswitch	1	
4	<b>531206932</b>	<b>10302960</b>	fuse	1	16A
5	<b>531206921</b>	<b>10302800</b>	screw	1	TPSE M8x20 -10.9 UNI 5933
6	<b>531206872</b>	<b>10302060</b>	bearing	1	
7	<b>531208599</b>	<b>20404900</b>	nut	1	M8 H10 UNI7473-ZB
8	<b>531206868</b>	<b>10302020</b>	microswitch	3	
10	<b>531206931</b>	<b>10302950</b>	solenoid valve	1	
11	<b>531206752</b>	<b>10300480</b>	nut	3	1/4" UNC ZNT
12	<b>531207982</b>	<b>20106300</b>	nut	1	M8 H8 UNI 5587-6S ZB
13	<b>531206863</b>	<b>10301970</b>	ignition block	1	
14	<b>531206864</b>	<b>10301980</b>	keys	2	
15	<b>531206919</b>	<b>10302780</b>	clamp	4	3,6x200
16	<b>531206923</b>	<b>10302820</b>	clamp	1	3,6x370
17	<b>531206866</b>	<b>10302000</b>	battery	1	6IF130-12V-22AH
18	<b>531208660</b>	<b>20501370</b>	screw	2	TE M6x20 UNI 5739-8,8-ZB
19	<b>531205377</b>	<b>10126000</b>	washer	2	6x18x1,5
20	<b>531206731</b>	<b>10300230</b>	washer	2	D.6 DIN128 TIPO B ZNT
21	<b>531207165</b>	<b>10501200</b>	nut	2	M6 H6 UNI 5587-6S-ZB
24	<b>531207028</b>	<b>10330320</b>	screw	2	TE FR D.55X16 UNI
25	<b>531204904</b>	<b>10066300</b>	washer	2	8x24x2
27	<b>531207165</b>	<b>10501200</b>	nut	2	M6 H6 UNI 5587-6S-ZB
28	<b>531206893</b>	<b>10302620</b>	metal ring	1	DSI P/N 9256

brand	<b>PARTNER</b>
-------	----------------

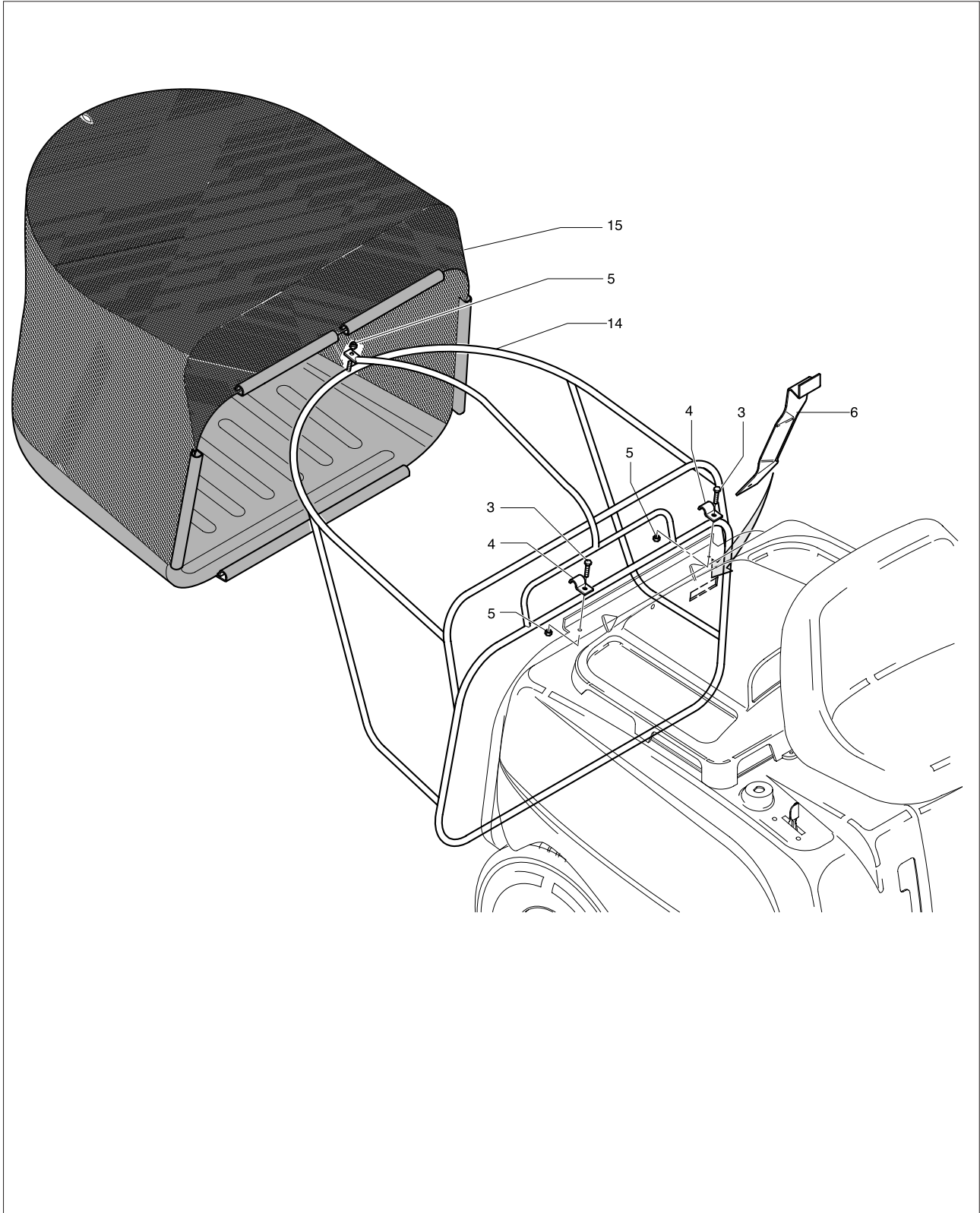
date	<b>APR/03</b>	SHEET 15/16
------	---------------	-------------

Model

<b>P 1276 HCRD</b>

Product number

<b>9538780-25</b>



brand	<b>PARTNER</b>
-------	----------------

date	<b>APR/03</b>	SHEET 16/16
------	---------------	-------------

Model

P 1276 HCRD

Product number

<b>9538780-25</b>

Pos.	PN ELX	PN MEP	DESCRIPTION	Q.ty	NOTE
3	531208769	20655100	screw	2	TE M6x16 UNI 5739-8,8-ZB
4	531206852	10301800	bin fixture plate	2	
5	531208491	20281800	nut	3	M6 H8
6	531206788	10300920	full bin monitor plate	1	
14	531207008	10330113	bin frame	1	
15	531207009	10330123	bin fabric covering	1	