

ILLUSTRATED PARTS LIST

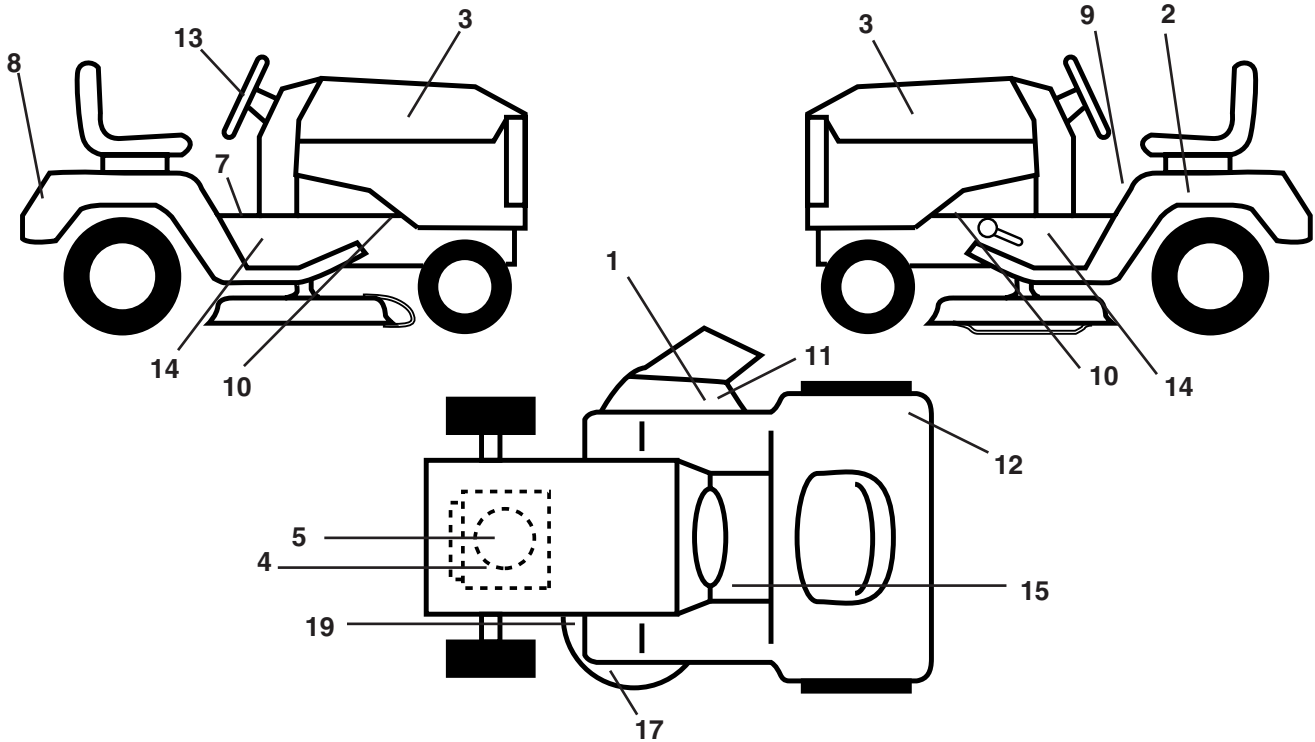
MFG ID NO. 96011023200

CUSTOMER CATALOG NO. P145107

PRODUCT NO. 960 11 02-32

REPAIR PARTS

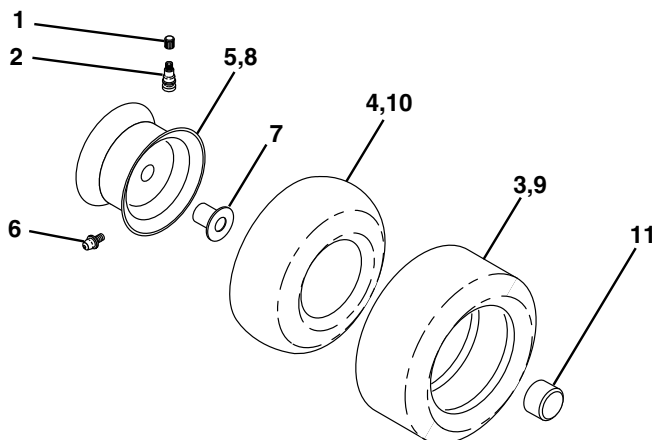
TRACTOR -- MODEL NUMBER P145107 (96011023200), PRODUCT NO. 960 11 02-32
DECALS



KEY NO.	PART NO.	DESCRIPTION
1	532 19 63-57	Decal, Deflect Warning Cutfinger sym.
2	532 14 50-05	Decal, Bat Dan/Poi P/L Symbols
3	532 40 20-27	Decal, Hood
4	532 19 79-90	Decal, Engine HP
5	532 19 68-41	Decal, Engine
7	532 14 08-37	Decal, Saddle Brake Parking
8	532 40 44-63	Decal, Fender
9	532 40 03-89	Decal, Warning Sym CE
10	532 15 97-36	Decal, Chassis Hot Muffler
11	532 18 21-66	Decal, Mower Cut finger Symbol

KEY NO.	PART NO.	DESCRIPTION
12	532 18 04-32	Decal, 100 Db/CE
13	532 40 16-49	Decal, Strg Wheel Cap
14	532 18 56-51	Decal, Chassis Turbo
15	532 15 97-37	Decal, Brake/Clutch
19	532 16 03-96	Decal, V-Belt Sch
--	532 16 25-98	Decal, Drawbar Load Limit
--	532 13 83-11	Decal, Lift Handle (Lift Handle)
--	532 40 09-01	Manual Operator's Euro
--	532 40 09-02	Manual Operator's Scan

WHEELS & TIRES

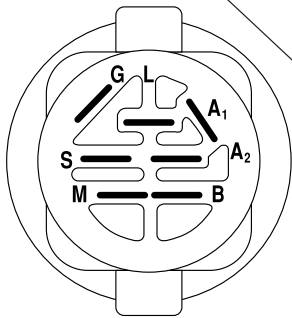
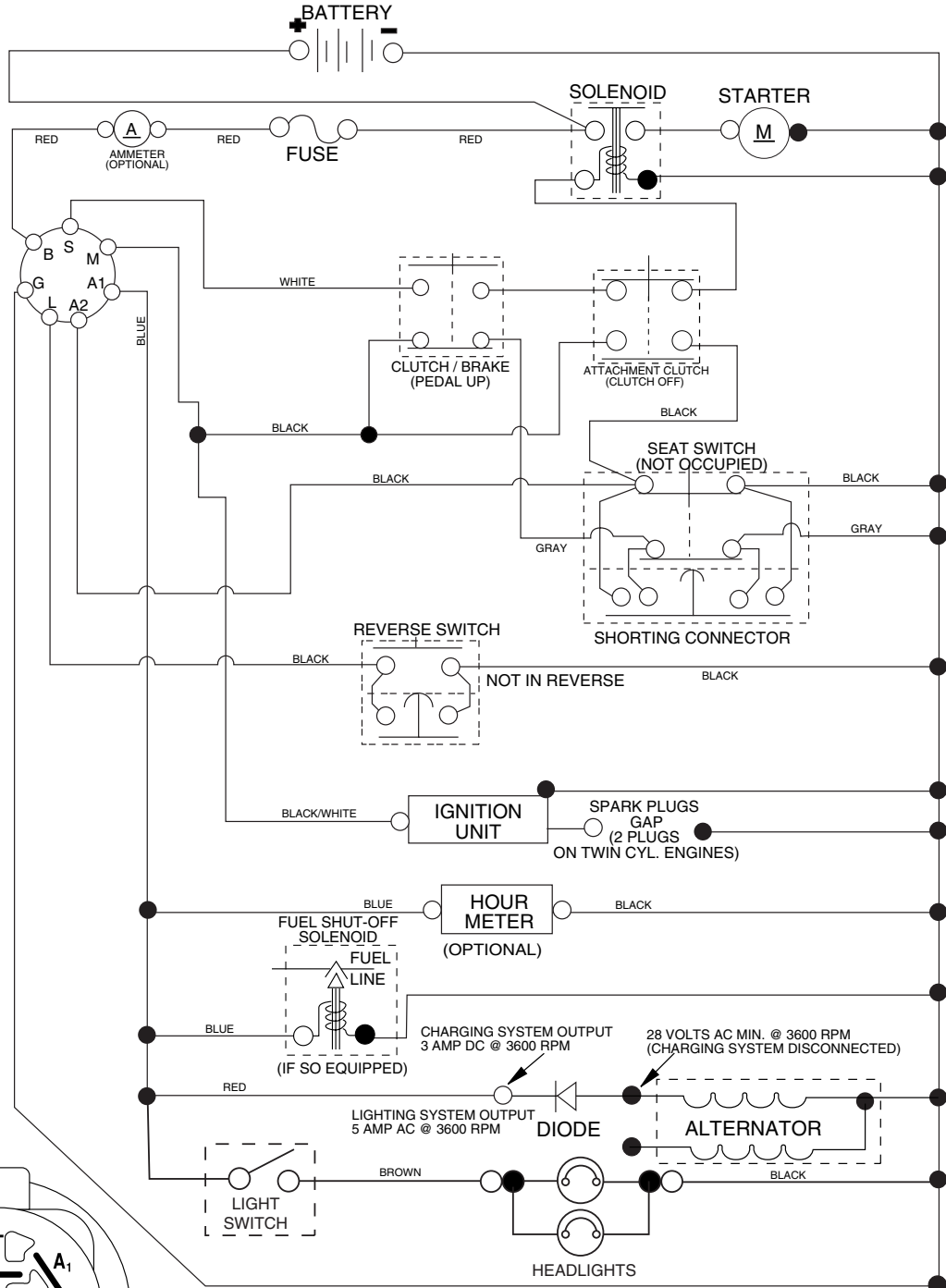


KEY NO.	PART NO.	DESCRIPTION
1	532 05 91-92	Cap Valve Tire
2	532 06 51-39	Stem Valve
3	532 12 41-57	Tire F Ts 15 x 6 0 - 6 Service
4	532 05 99-04	Tube Front (Service Item Only)
5	532 12 51-21	Rim Asm 6" front Yellow Service
6	532 12 49-57	Fitting Grease (Front Wheel Only)
7	532 12 49-59	Bearing Flange (Front Wheel Only)
8	532 12 51-22	Rim Asm 8" rear Yellow Service
9	532 12 39-69	Tire R Ts 18 x 8.5-8 C. Service
10	532 12 49-26	Tube Rear (Service Item Only)
11	532 17 50-39	Cap Axle Blk 1 50 x 1 00

NOTE: All component dimensions given in U.S. inches
1 inch = 25.4 mm

TRACTOR - - MODEL NUMBER P145107 (96011023200), PRODUCT NO. 960 11 02-32 SCHEMATIC

03059_197428



IGNITION SWITCH

POSITION	CIRCUIT	"MAKE"
OFF	M+G+A1	
RUN/OVERRIDE	B+A1	
RUN	B+A1	L+A2
START	B + S + A1	

03059

NOTE

YOUR TRACTOR IS EQUIPPED WITH A SPECIAL ALTERNATOR SYSTEM. THE LIGHTS ARE NOT CONNECTED TO THE BATTERY, BUT HAVE THEIR OWN ELECTRICAL SOURCE. BECAUSE OF THIS, THE BRIGHTNESS OF THE LIGHTS WILL CHANGE WITH ENGINE SPEED. AT IDLE THE LIGHTS WILL DIM. AS THE ENGINE IS SPEEDED UP, THE LIGHTS WILL BECOME THEIR BRIGHTEST.



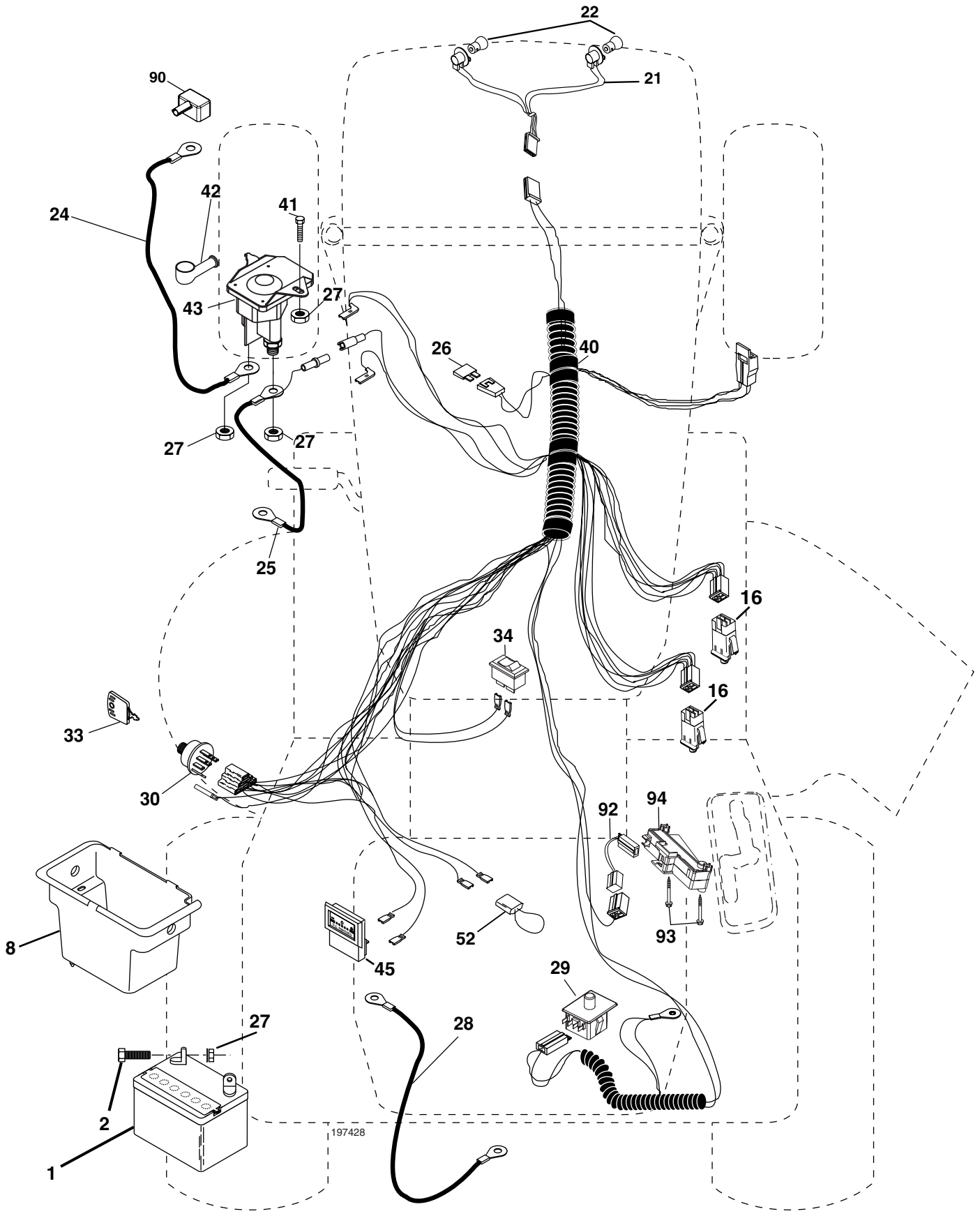
WIRING INSULATED CLIPS

NOTE: IF WIRING INSULATED CLIPS WERE REMOVED FOR SERVICING OF UNIT, THEY SHOULD BE REPLACED TO PROPERLY SECURE YOUR WIRING.

REPAIR PARTS

TRACTOR -- MODEL NUMBER P145107 (96011023200), PRODUCT NO. 960 11 02-32

ELECTRICAL



REPAIR PARTS

TRACTOR - - MODEL NUMBER P145107 (96011023200), PRODUCT NO. 960 11 02-32
ELECTRICAL

KEY NO.	PART NO.	DESCRIPTION
1	532 16 34-65	Battery 12 Volt 25 Amp
2	874 76 04-12	Bolt Hex Hd 1/4-20 unc x 3/4
8	532 17 66-89	Case Battery Mech Hiinge
16	532 17 61-38	Switch Interlock Push-In
21	532 18 37-59	Harness Asm Light W/4152j
22	532 00 41-52	Bulb Light #1156
24	532 12 47-80	Cable Battery 6 Ga. 11"red
25	532 14 61-47	Cable Battery
26	532 17 51-58	Fuse
27	873 51 04-00	Nut Keps Hex 1/4-20 unc
28	532 12 47-73	Cable Ground 6 Ga 12"black
29	532 19 27-49	Switch Seat
30	532 19 33-50	Switch Ign
33	532 14 04-01	Key Ign
34	532 11 07-12	Switch Light/Reset B/B/Red
40	532 19 74-28	Harness Ign
41	871 11 04-08	Screw thd Cut 1/4-20 x 1/2
42	532 13 15-63	Cover Terminal Red
43	532 19 25-07	Solenoid
48	532 14 08-44	Adapter Ammeter
52	532 14 19-40	Protection Wire Loop
90	532 18 04-49	Cover Terminal Battery
92	532 19 66-15	Harness Pigtail consle ROS
93	532 19 25-40	Screw Plastite 10-14 x 2.0
94	532 19 18-34	Module Reverse ROS

NOTE: All component dimensions given in U. S.
inches 1 inch = 25.4 mm.

REPAIR PARTS

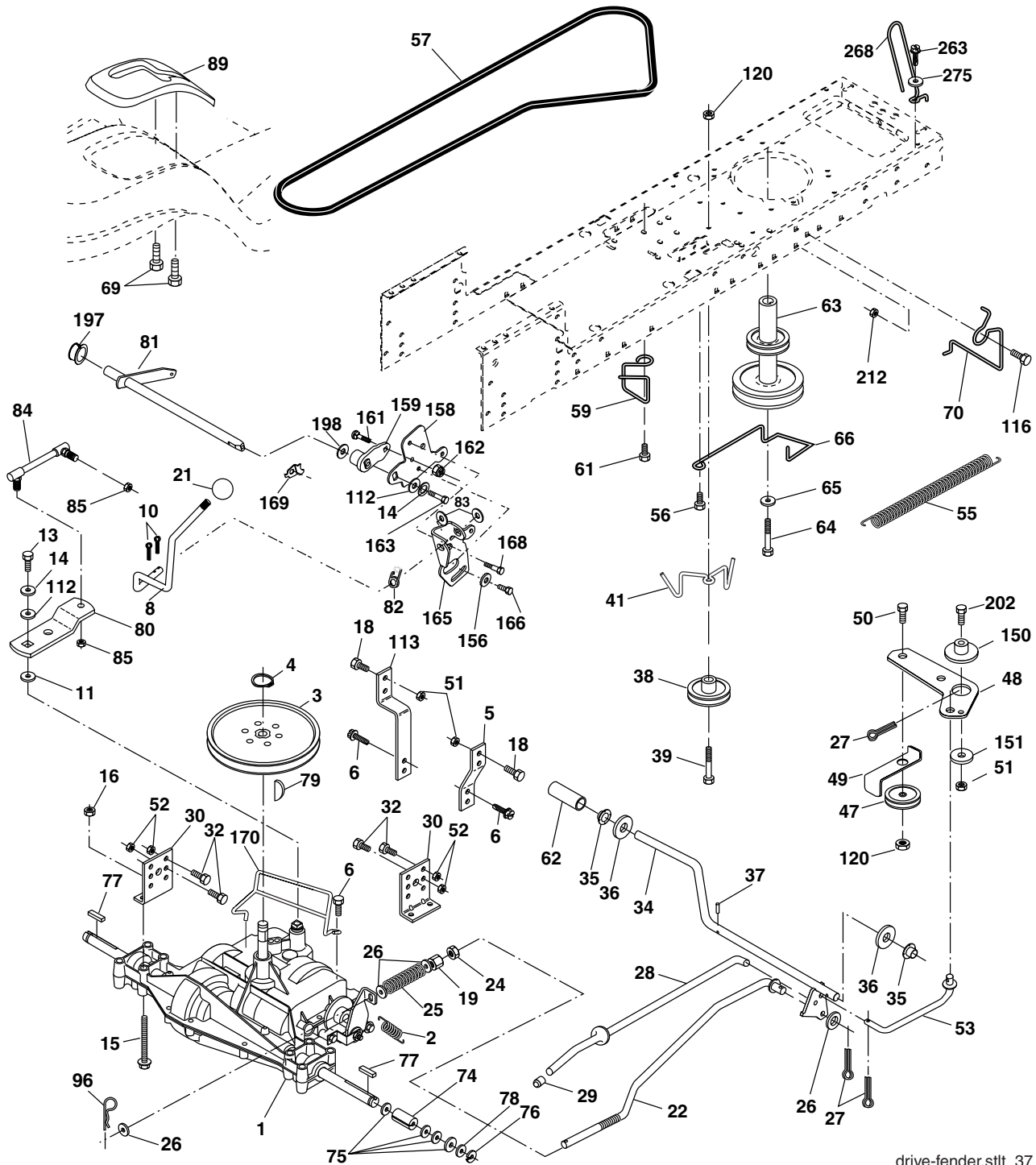
TRACTOR - - MODEL NUMBER P145107 (96011023200), PRODUCT NO. 960 11 02-32
CHASSIS

KEY NO.	PART NO.	DESCRIPTION
1	532 17 46-19	Chassis
2	532 17 65-54	Drawbar
5	532 15 52-72	Bumper Hood
9	532 19 48-22	Dash
10	872 14 06-08	Bolt Rdhd Sqnk 3/8-16 unc x 1
11	532 17 49-96	Panel Dash LH
13	532 18 17-19	Panel Dash RH
14	817 49 06-08	Screw Thdrol 3/8-16 x 1/2
17	532 18 27-16	Hood
18	532 18 49-21	Bumper Hood
24	874 78 06-16	Bolt Fin Hex 3/8-16unc x 1 Gr. 5
25	819 13 13-12	Washer 13/32 x 13/16 x 12 Ga.
26	873 80 06-00	Nut Lock Hex w/Ins 3/8-16 unc
28	532 17 97-49	Grille/Lens Asm (Includes Key #'s 29, 212)
29	532 18 27-18	Lens Grille
30	532 19 41-98	Fender
31	532 13 66-19	Bracket Fender Repl 109873X
33	532 18 25-07	Footrest Pnt LH
34	532 18 25-08	Footrest Pnt RH
35	872 11 06-06	Bolt Rdhd Sht Sqnk 3/8-16 X3/4
37	817 49 05-08	Screw Thdrol 5/16-18 x 1/2 Tyt
38	532 17 57-10	Bracket Asm Pivot Mower Rear
39	532 17 47-14	Bracket Pivot
64	532 15 47-98	Dash Lower
142	532 17 57-02	Plate Reinforcement STLT
145	532 15 65-24	Rod Pivot Chassis/Hood
206	532 17 01-65	Bolt Shoulder 5/16-18
207	817 67 05-08	Screw 5/16-18 x 1/2
208	817 67 06-08	Screw 3/8-16 x 1/2
209	817 00 06-12	Screw Hex Wsh Thdr 3/8-16 x 3/4
212	532 17 51-43	Insert Lens Reflective
278	532 19 16-11	Screw 10 x 3/4 Single Lead Hex
- -	532 00 54-79	Plug Button

NOTE: All component dimensions given in U.S. inches
1 inch = 25.4 mm.

REPAIR PARTS

TRACTOR -- MODEL NUMBER P145107 (96011023200), PRODUCT NO. 960 11 02-32
DRIVE



drive-fender.stlt_37

REPAIR PARTS

TRACTOR -- MODEL NUMBER P145107 (96011023200), PRODUCT NO. 960 11 02-32 DRIVE

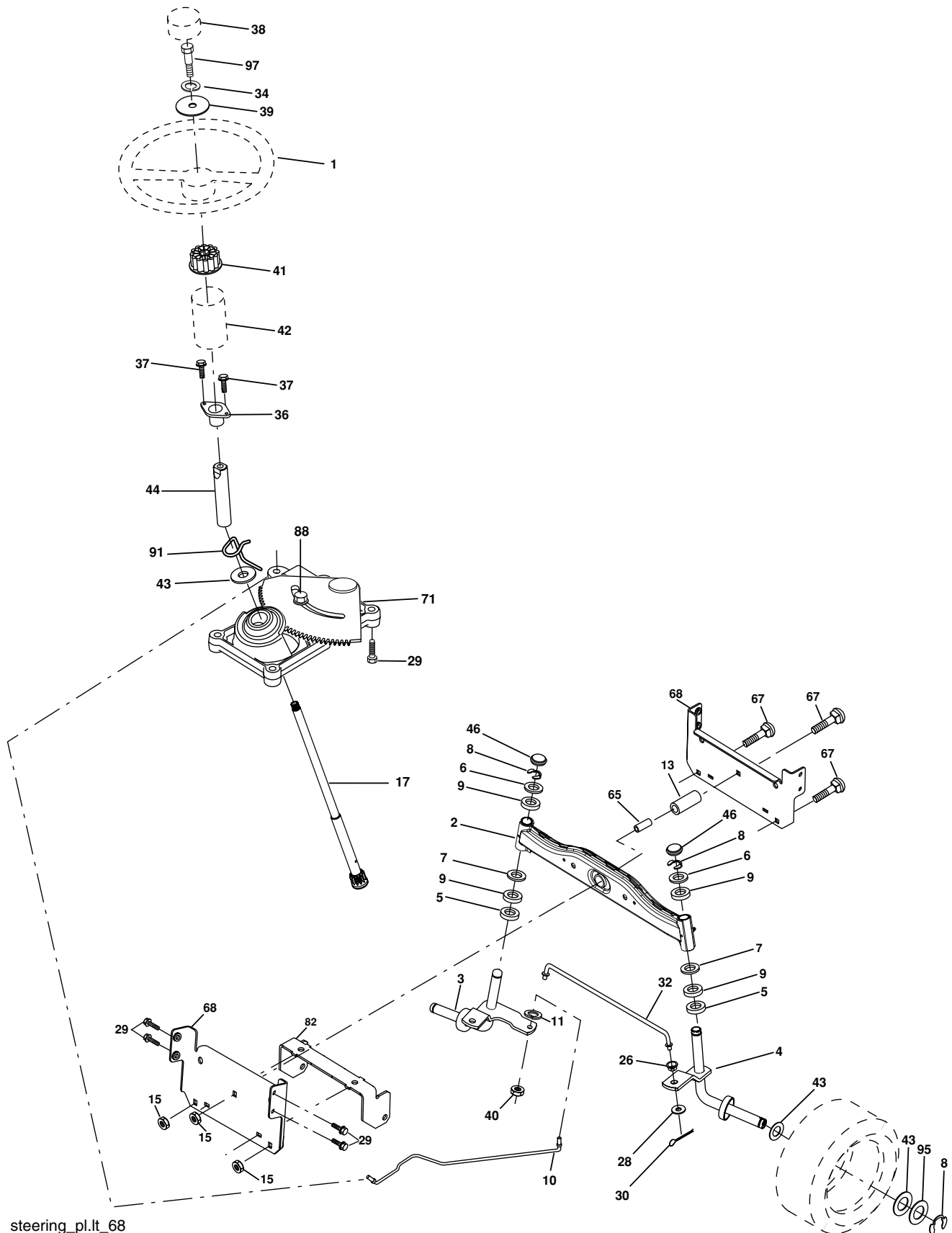
KEY NO.	PART NO.	DESCRIPTION	KEY NO.	PART NO.	DESCRIPTION
1	-----	Transaxle, Dana D4360-140 (Order parts from transaxle manufacturer)	63	532 18 02-19	Engine Pulley
2	532 14 66-82	Spring Return Brake T/a Zinc	64	532 17 39-37	Bolt Hex
3	532 12 36-66	Pulley Transaxle 18" tires	65	810 04 07-00	Washer Lock Hvy Hlcl Spr 7/16
4	812 00 00-28	Ring Retainer # 5100-62	66	532 15 47-78	Keeper Belt Engine Foolproof
5	532 12 15-20	Strap Torque 30 Degrees	69	532 14 24-32	Screw Hex Wsh Hi-Lo 1/4 x 1/2 unc
6	817 00 05-12	Screw 5/16-18 x 3/4	70	532 18 02-18	Guide Belt Mower Drive RH
8	532 19 27-06	Rod Shifter	74	532 10 95-02	Spacer Axle
10	876 02 04-16	Pin Cotter 1/8 x 1 Cad	75	532 12 17-49	Washer 25/32 x 1 1/4 x 16 Ga.
11	532 10 57-01	Washer Plate Shf 388 Sq Hole	76	812 00 00-01	E-ring #5133-75
13	874 55 04-12	Bolt 1/4-28 Unf Gr. 8 W/Patch	77	532 12 35-83	Key Square 2 0 x 1845/ 1865
14	810 04 04-00	Washer Lock Hvy Helical 1/4	78	532 12 17-48	Washer 25/32 x 1-5/8 x 16 Ga.
15	874 49 05-44	Bolt Hex Flghd 5/16-18 Gr. 5	79	532 12 50-96	Key Woodruff
16	873 80 05-00	Nut Lock Hx W/Ins 5/16-18 unc	80	532 13 14-88	Arm Shift Transaxle
18	874 78 06-16	Bolt, Fin Hex 3/8-16 unc x 1 Gr. 5	81	532 16 55-94	Shaft Asm. Cross Taper
19	873 80 06-00	Nut Lock 3/8-16 unc	82	532 16 57-11	Spring Torsion Shift
21	532 10 69-33	Knob	83	819 17 12-16	Washer 17/32 x 3/4 x 16 Ga.
22	532 13 08-04	Rod Brake Blk Zinc 26 840	84	532 16 62-29	Link Transaxle
24	873 35 06-00	Nut Hex Jam 3/8-16 unc	85	532 15 03-60	Nut Lock Center 1/4-28
25	532 10 68-88	Spring Rod Brake 2 00 Zinc	89	532 19 49-71	Console SVC Shift
26	819 13 13-16	Washer 13/32 x 13/16 x 16 Ga	96	532 12 47-88	Retainer Spring 1"
27	876 02 04-12	Pin Cotter 1/8 x 3/4 Cad	112	819 09 12-10	Washer 9/32 x 3/4 x 10 Ga.
28	532 17 57-65	Rod Brake Parking	113	532 12 72-85	Strap Torque Lh
29	532 07 16-73	Cap Brake Parking	116	872 14 06-08	Bolt Rdhd Sq Neck 3/8-16 x 1.00
30	532 17 49-73	Bracket Mtg Transaxle	120	873 90 06-00	Nut Lock Flg 3/8-16
32	874 76 05-12	Bolt Hex Hd 5/16-18 unc x 3/4	150	532 17 54-56	Spacer Retainer
34	532 17 55-78	Shaft Asm Pedal Foot	151	819 13 32-10	Washer 13/32 x 2 x 10
35	532 12 01-83	Bearing Nylon Blk 629 Id	156	532 16 60-02	Washer Srrtd 5/16ID x 1.0 x .125TK
36	819 21 16-16	Washer 21/32 x 1 x 16 Ga.	158	532 16 55-89	Bracket Shift Mount
37	532 12 49-63	Pin Roll 3/16 x 1"	159	532 18 39-00	Hub Shift
38	532 17 91-14	Pulley Idler Composite	161	872 14 04-06	Bolt RDHD SQNK 1/4-20 x 3/4 Gr.5
39	872 11 06-22	Bolt Rdhd 3/8-16 unc x 2-3/4 Gr. 5	162	873 68 04-00	Nut Crownlock 1/4-20 unc
41	532 17 55-56	Keeper Belt Retainer Idler	163	874 78 04-16	Bolt Hex Fin 1/4-20 unc x 1 Gr.5
47	532 12 77-83	Pulley Idler V Groove Plastic	165	532 16 56-23	Bracket Pivot Lever
48	532 15 44-07	Bellcrank Asm	166	817 49 05-10	Screw 5/16-18 x 5/8 TT Yellow
49	532 12 32-05	Retainer Belt Style Spring	168	532 16 54-92	Shoulder Bolt 5/16 -18 x .561
50	872 11 06-12	Bolt Carr Sh 3/8-16 x 1-1/2 Gr. 5	169	532 16 55-80	Plate Fastening
51	873 68 06-00	Nut Crownlock 3/8-16 unc	170	532 18 74-14	Keeper Belt T/A
52	873 68 05-00	Nut Crownlock 5/16-18 unc	197	532 16 96-13	Nyliner Snap-in 5/8" ID
53	532 19 96-52	Link Clutch	198	532 16 95-93	Washer Nyl
55	532 10 57-09	Spring Return Clutch 6 75	202	872 11 06-14	Bolt, 3/8 - 16 x 1-3/4 Gr. 5
56	817 06 06-20	Screw 3/8-16 x 1-1/4	212	532 14 52-12	Nut Flange Hex Lock
57	532 16 08-55	V-Belt Ground Drive	263	817 00 06-12	Screw 3/8-16 x 3/4
59	532 16 96-91	Keeper Belt Span Ctr	268	532 18 24-02	Guard Muffler
61	817 12 06-14	Screw 3/8-16 x .875	275	819 13 16-14	Washer 13/32 x 1 x 14 Ga.
62	532 12 48-72	Cover Pedal Blk Round			

NOTE: All component dimensions given in U.S. inches
1 inch = 25.4 mm

REPAIR PARTS

TRACTOR -- MODEL NUMBER P145107 (96011023200), PRODUCT NO. 960 11 02-32

STEERING



steering_pl.lt_68

REPAIR PARTS

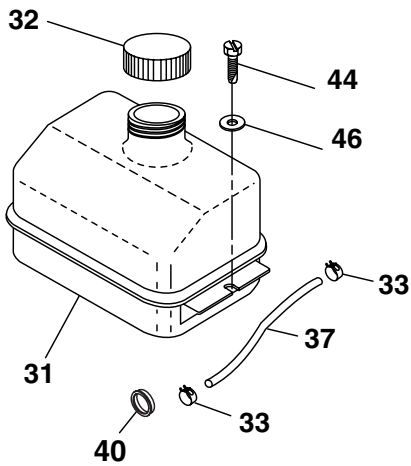
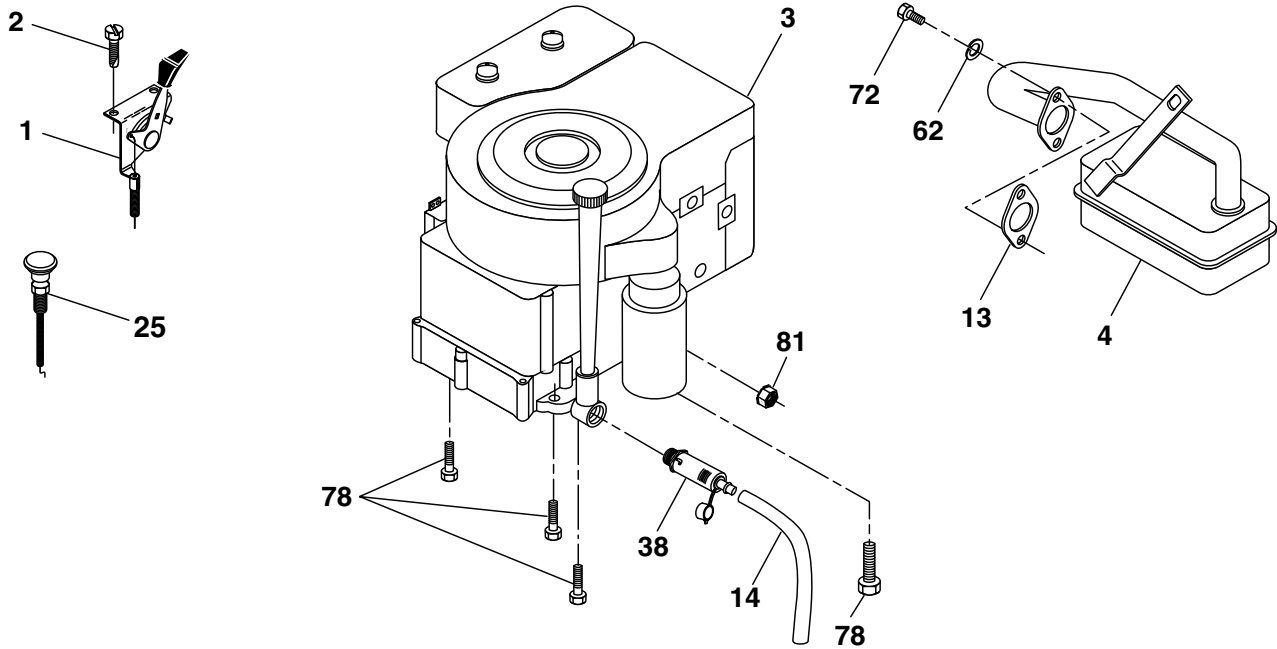
TRACTOR - - MODEL NUMBER P145107 (96011023200), PRODUCT NO. 960 11 02-32
STEERING

KEY NO.	PART NO.	DESCRIPTION
1	532 18 67-80	Wheel Steering
2	532 19 56-73	Axle Asm Fr
3	532 16 98-40	Spindle Asm LH
4	532 16 98-39	Spindle Asm RH
5	532 12 49-31	Bearing Race Thrust Harden
6	532 12 17-48	Washer 25/32 x 1-5/8 x 16 Ga.
7	819 27 20-16	Washer 27/32 x 1-1/4 x 16 Ga.
8	812 00 00-29	Ring Klip #t5304-75
9	532 12 49-37	Bearing Col Strg Blk
10	532 17 51-21	Link Drag
11	810 04 06-00	Washer Lock Hvy Hlcl Spr 3/8
13	532 13 65-18	Spacer Brace Axle
15	532 14 52-12	Nut Hexflange Lock
17	532 19 07-53	Shaft Asm Strg
26	532 12 68-47	Bushing Link Drag Blk LR
28	819 13 14-16	Washer 13/32 x 7/8 x 16 Ga.
29	817 00 06-12	Screw 3/8-16 x .75
30	876 02 04-12	Pin Cotter 1/8 x 3/4 Cad
32	532 19 27-57	Rod Tie Wire Form
34	810 04 05-00	Washer Lock Hvy Hlcl Spr. 5/16
36	532 15 50-99	Bushing Strg
37	532 15 29-27	Screw TT #10-32 x 5 x 3/8 Flange
38	532 19 29-16	Cap Wheel Steer P/L
39	819 11 38-12	Washer 11/32 ID x 2-3/8 OD x 12 Ga.
40	873 54 06-00	Nut Crownlock 3/8-24
41	532 18 67-37	Adaptor Wheel Strg
42	532 16 96-33	Boot Shaft Steering
43	532 12 17-49	Washer 25/32 x 1 1/4 x 16 Ga.
44	532 19 07-52	Shaft Extension Steering
46	532 12 12-32	Cap Spindle Fr Top Blk
65	532 16 03-67	Spacer Brace Axle
67	872 11 06-18	Bolt RDHD SQ 3/8-16 unc x 2-1/4
68	532 16 98-27	Brace Axle
71	532 17 51-46	Steering Asm.
82	532 19 99-78	Bracket Susp. Chassis Front
88	532 17 51-18	Bolt Shoulder 7/16-20
91	532 17 55-53	Clip Steering
95	532 18 89-67	Washer Harden .793 x 1.637 x 060
97	874 78 05-64	Bolt 5/16-18 unc x 4"L Gr. 5

NOTE: All component dimensions given in U.S. inches
1 inch = 25.4 mm.

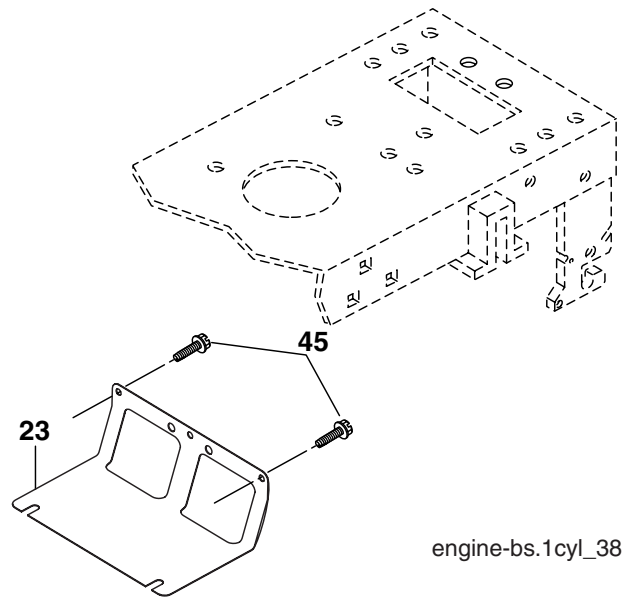
REPAIR PARTS

TRACTOR -- MODEL NUMBER P145107 (96011023200), PRODUCT NO. 960 11 02-32
ENGINE



29

OPTIONAL EQUIPMENT
Spark Arrester



engine-bs.1cyl_38

REPAIR PARTS

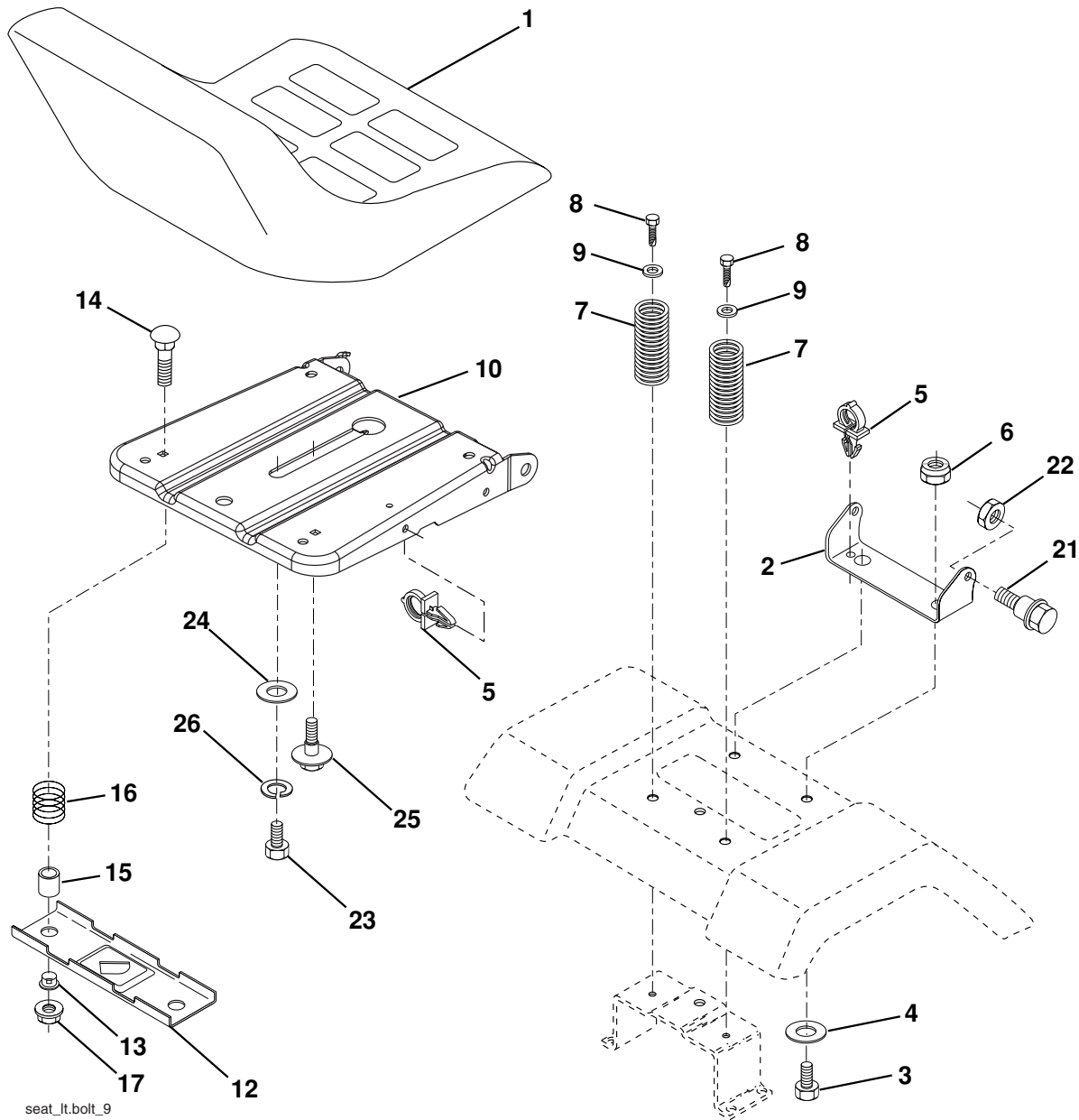
TRACTOR - - MODEL NUMBER P145107 (96011023200), PRODUCT NO. 960 11 02-32
ENGINE

KEY NO.	PART NO.	DESCRIPTION
1	532 17 05-51	Control Throttle Flag Eec
2	817 72 04-08	Screw 1/4-20 x 1/2
3	-----	Engine Briggs & Stratton 280H070 (Order parts from engine manufacturer)
4	532 13 73-52	Muffler
13	532 16 52-91	Gasket Eng
14	532 14 84-56	Tube Drain Oil Easy
23	532 16 98-37	Shield Brn/Dbr Guard
25	532 19 06-95	Control Choke
29	532 13 71-80	Kit Spark Arrecter
31	532 18 77-50	Tank Fuel Front 1.25
32	532 19 77-25	Cap Asm Fuel
33	532 12 34-87	Clamp Hose Blk
37	532 13 70-40	Line Fuel 20"
38	532 18 16-54	Plug Drain Oil Easy
40	532 12 40-28	Bushing Snap
44	817 67 04-12	Screw Hexwsh Thdrol 1/4-20 x 3/4
45	817 00 06-12	Screw Hexwsh Thdrol 3/8-16 x 3/4
46	819 09 14-16	Washer 9/32 x 7/8 x 16 Ga.
62	810 01 05-00	Washer Lock Hvy HLCL Spr. 5/16
72	532 19 23-34	Screw Socket HD 5/16-18 x .75
78	817 06 06-20	Screw 3/8-16 x 1-1/4
81	873 51 04-00	Nut Keps Hex 1/4-20 unc

NOTE: All component dimensions given in U.S. inches
1 inch = 25.4 mm

REPAIR PARTS

TRACTOR -- MODEL NUMBER P145107 (96011023200), PRODUCT NO. 960 11 02-32
SEAT



seat_lt.bolt_9

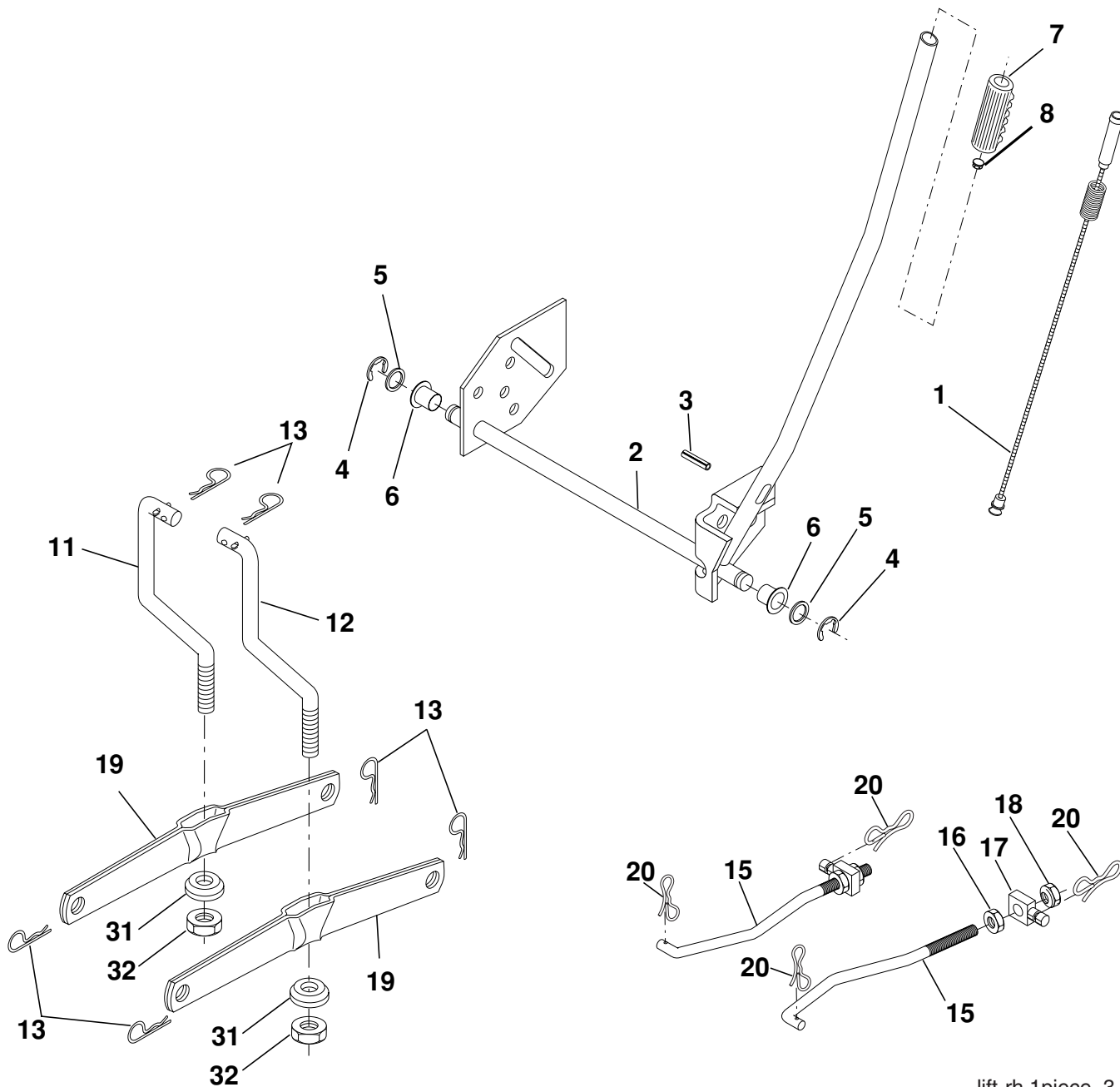
KEY NO.	PART NO.	DESCRIPTION
1	532 18 87-13	Seat
2	532 14 05-51	Bracket Pivot
3	871 11 06-16	Bolt Fin Hex 3/8-16 unc x 1
4	819 13 16-10	Washer 13/32 x 1 x 10 Ga.
5	532 14 50-06	Clip Push-In
6	873 80 06-00	Nut Lock Hex w/Wsh 3/8-16 unc
7	532 12 41-81	Spring Seat Cprsn 2 250 Blk Zi
8	817 00 06-16	Screw 3/8-16 x 1.5
9	819 13 16-14	Washer 13/32 x 1 x 14 Ga.
10	532 19 55-30	Pan Seat
12	532 17 46-48	Bracket Mounting Switch
13	532 12 12-48	Bushing Snap Blk Nyl 50 Id

KEY NO.	PART NO.	DESCRIPTION
14	872 05 04-12	Bolt Rdhd Sht Nk 1/4-20 x 1-1/2
15	532 13 43-00	Spacer Split 28x 96 Yel Zinc
16	532 12 12-50	Spring Cprsn 1 27 Blk Pnt
17	532 12 39-76	Nut Lock 1/4 Lge Flg Gr. 5 Zinc
21	532 17 18-52	Bolt Shoulder 5/16-18 unc -2A
22	873 80 05-00	Nut Lock Hex W/Insert 5/16-18 unc
23	871 11 08-14	Bolt Hex
24	819 17 19-12	Washer 17/32 x 1-3/16 x 12 Ga.
25	532 12 70-18	Bolt Shoulder 5/16-18 x 62
26	810 04 08-00	Washer Lock Hvy Hlcl Spr. 1/2

NOTE: All component dimensions given in U.S. inches
1 inch = 25.4 mm

REPAIR PARTS

TRACTOR -- MODEL NUMBER P145107 (96011023200), PRODUCT NO. 960 11 02-32
MOWER LIFT



lift-rh.1piece_3

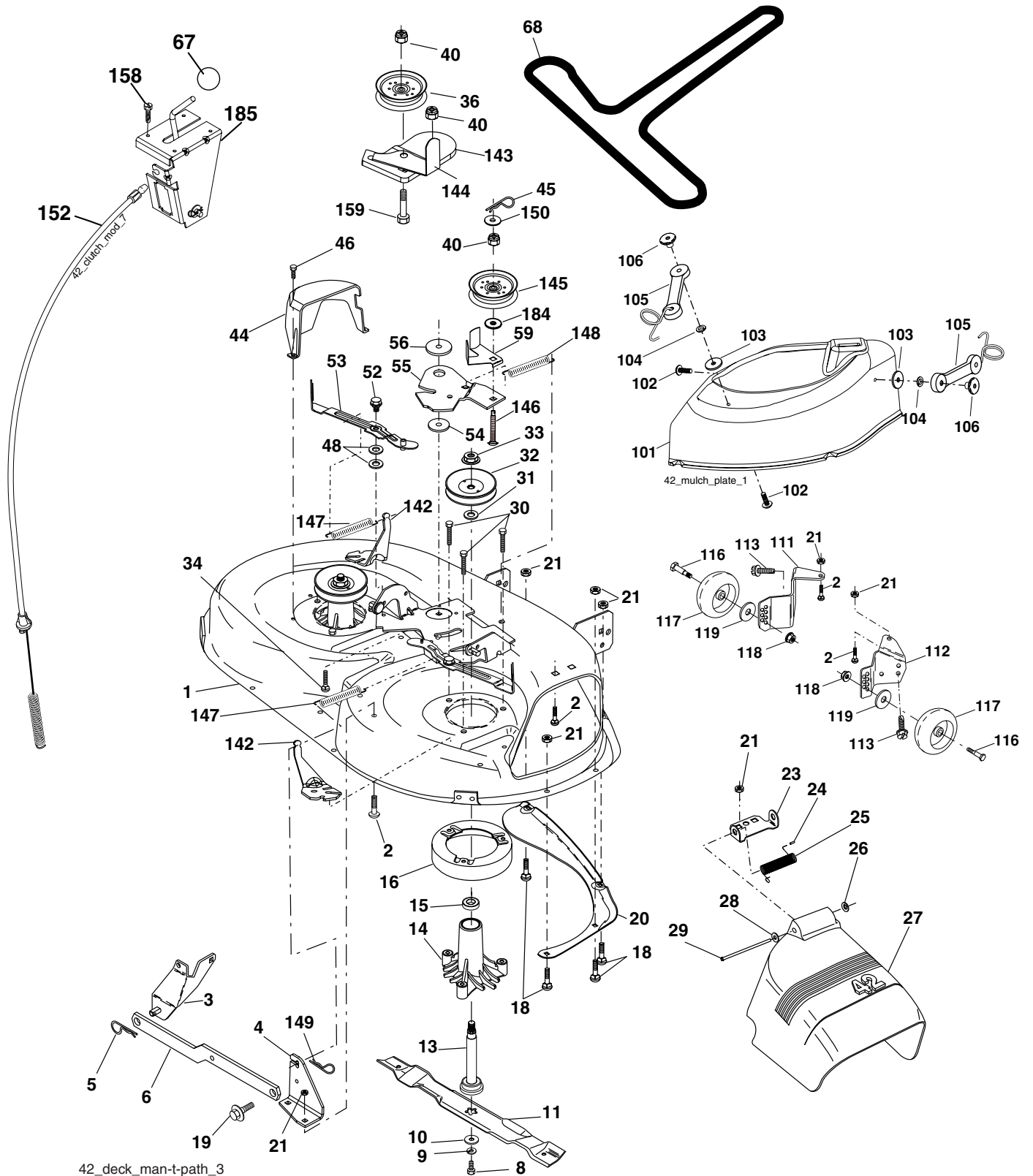
KEY NO.	PART NO.	DESCRIPTION
1	532 15 94-60	Wire Asm Inner W/Plunger
2	532 15 94-71	Shaft Asm Lift
3	532 10 57-67	Pin Groove
4	812 00 00-02	E Ring #5133-62
5	819 21 16-21	Washer PLTD 21/32 x 1 x 21Ga.
6	532 12 01-83	Bearing Nylon Blk 629 Id
7	532 10 94-13	Grip Handle Bicycle Matte Blk
8	532 12 45-26	Button Plunger Black
11	532 13 98-65	Link Lift LH
12	532 13 98-66	Link Lift RH
13	532 12 46-70	Retainer Spring

KEY NO.	PART NO.	DESCRIPTION
15	532 17 32-88	Link Front
16	873 35 08-00	Nut Jam Hex 1/2-13 unc
17	532 17 56-89	Trunnion
18	873 80 08-00	Nut Lock w/wsh 1/2-13 unc
19	532 13 98-68	Arm Suspension Rear
20	532 19 42-09	Pin Cotter 7/16 Bow Tie Lock
31	532 16 98-65	Bearing Pvt Lift
32	873 54 06-00	Nut Crownlock 3/8-24

NOTE: All component dimensions given in U.S. inches
1 inch = 25.4 mm

REPAIR PARTS

TRACTOR -- MODEL NUMBER P145107 (96011023200), PRODUCT NO. 960 11 02-32
MOWER DECK



REPAIR PARTS

TRACTOR - - MODEL NUMBER P145107 (96011023200), PRODUCT NO. 960 11 02-32
MOWER DECK

KEY NO.	PART NO.	DESCRIPTION	KEY NO.	PART NO.	DESCRIPTION
1	532 16 58-92	Housing Asm Mower 42" T-Path	55	532 15 50-46	Arm Idler 42" mower LT/YT
2	872 14 05-06	Bolt Rdhd Sqnk 5/16-18 unc x 3/4	56	532 16 57-23	Spacer Retainer Pm Mower
3	532 13 80-17	Bracket Asm Fr Sway Bar 38/42	59	532 14 10-43	Guard TUV Idler
4	532 16 54-60	Bracket Asm Deck 42" sway Bar	67	532 10 69-32	Knob
5	532 12 46-70	Retainer Spring	68	532 18 02-15	V-Belt Mower
6	532 17 80-24	Bar Sway Deck	101	532 19 31-07	Cover Mulching
8	532 85 08-57	Bolt 3/8 - 24 x 1.25 Gr. 8	102	871 08 10-10	Screw Pan Hd Phillips 10-24 x 5/8
9	810 03 06-00	Washer Lock Hvy 3/8 Unplated	103	819 06 12-16	Washer #10
10	532 14 02-96	Washer Hard Blade Mower	104	810 07-10-00	Washer Lock #10
11	532 13 41-49	Blade Mower	105	532 16 07-93	Latch Asm
13	532 13 76-45	Shaft Asm W/Lower Bearing	106	532 12 50-04	Nut Weld .327/.304 #10-24
14	532 12 87-74	Housing Mandrel Vented (Machd)	111	532 17 92-92	Bracket Wheel Gauge LH
15	532 11 04-85	Bearing Ball Mandrel	112	532 17 92-93	Bracket Wheel Gauge RH
16	532 17 44-93	Stripper Round Mower	113	817 00 05-10	Bolt 5/16-18 Hex Wsh Hd Lckserr
18	872 14 05-05	Bolt Carr 5/16-18 x 5/8	116	532 12 48-42	Bolt Shld "A" 2.41 "B" 1.66
19	532 13 28-27	Bolt Shoulder	117	532 18 86-06	Wheel Gauge Half Spoked
20	532 15 97-70	Baffle Vortex 42"	118	873 93 06-00	Nut Centerlock 3/8-16 unc
21	873 68 05-00	Nut Crown Lock 5/16-18	119	819 12 14-14	Washer 3/8 x 7/8 x 14 Ga.
23	532 17 75-63	Bracket Deflector Mower 42"	142	532 16 58-90	Arm Spring Brake Mower
24	532 10 53-04	Cap Sleeve 80 x 112 Blk Mower	143	532 15 71-09	Bracket Arm Idler 42"
25	532 12 37-13	Spring Torsion Deflector 2 52	144	532 15 86-34	Keeper Belt 42" Clutch Cable
26	532 11 04-52	Nut Push Phos & Oil	145	532 16 58-88	Pulley Idler Flat
27	532 17 18-59	Shield Deflector Mower 42"	146	532 17 19-77	Bolt Carriage Idler
28	819 11 10-16	Washer 11/32 x 5/8 x 16 Ga.	147	532 17 97-48	Spring Extension
29	532 13 14-91	Rod Hinge 42" 6 75 Wlg	148	532 16 90-22	Spring Return Idler
30	532 17 39-84	Screw Thdrol	149	532 16 58-98	Retainer Spring Yellow
31	532 18 76-90	Washer Spacer	150	819 09 12-10	Washer 9/32 x 3/4 x 10 Ga.
32	532 15 35-35	Pulley Mandrel 42/44/50	152	532 18 15-55	Cable Clutch
33	532 40 02-34	Nut Top Lock Flng	158	817 72 04-08	Screw 1/4-20 x 1/2
34	872 11 06-12	Bolt Carr. Sh 3/8-16 x 1-1/2 Gr. 5	159	872 14 06-14	Bolt Rdhd Sqnk 3/8-16 unc x 1-3/4
36	532 13 14-94	Pulley Idler Flat 3 060	184	819 13 14-10	Washer 13/32 x 7/8 x 10 Ga.
40	873 90 06-00	Nut Lock Flg 3/8-16 unc	185	532 18 82-34	Head Asm. Clutch Clutch
44	532 14 00-88	Guard Mandrel LH Black	--	532 18 12-81	Replacement Mower, Complete
45	532 12 47-88	Spring Retainer 1" Zinc/cad	--	532 13 07-94	Mandrel Asm. (Includes Housing, Shaft and Shaft Hardware Only - Pulley Not Included)
46	532 13 77-29	Screw Hex Thd Cut 1/4-20 x 5/8 T			
48	532 13 39-44	Washer Hardened Smaller			
52	532 13 98-88	Bolt Shoulder 5/16-18 unc Blkz			
53	532 18 49-07	Arm Asm Pad Brake			
54	532 17 85-15	Washer Hardened			

NOTE: All component dimensions given in U.S. inches
1 inch = 25.4 mm