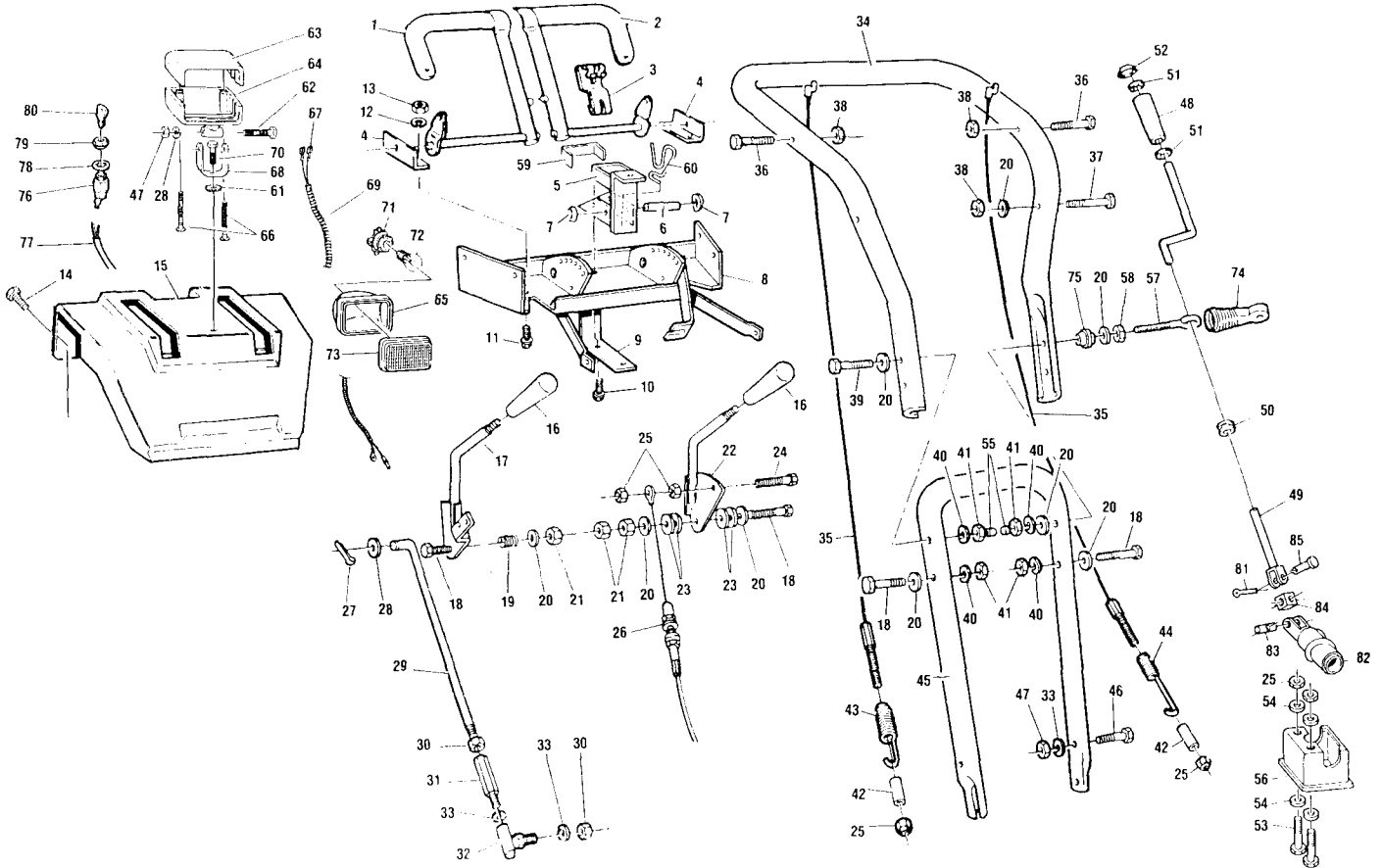




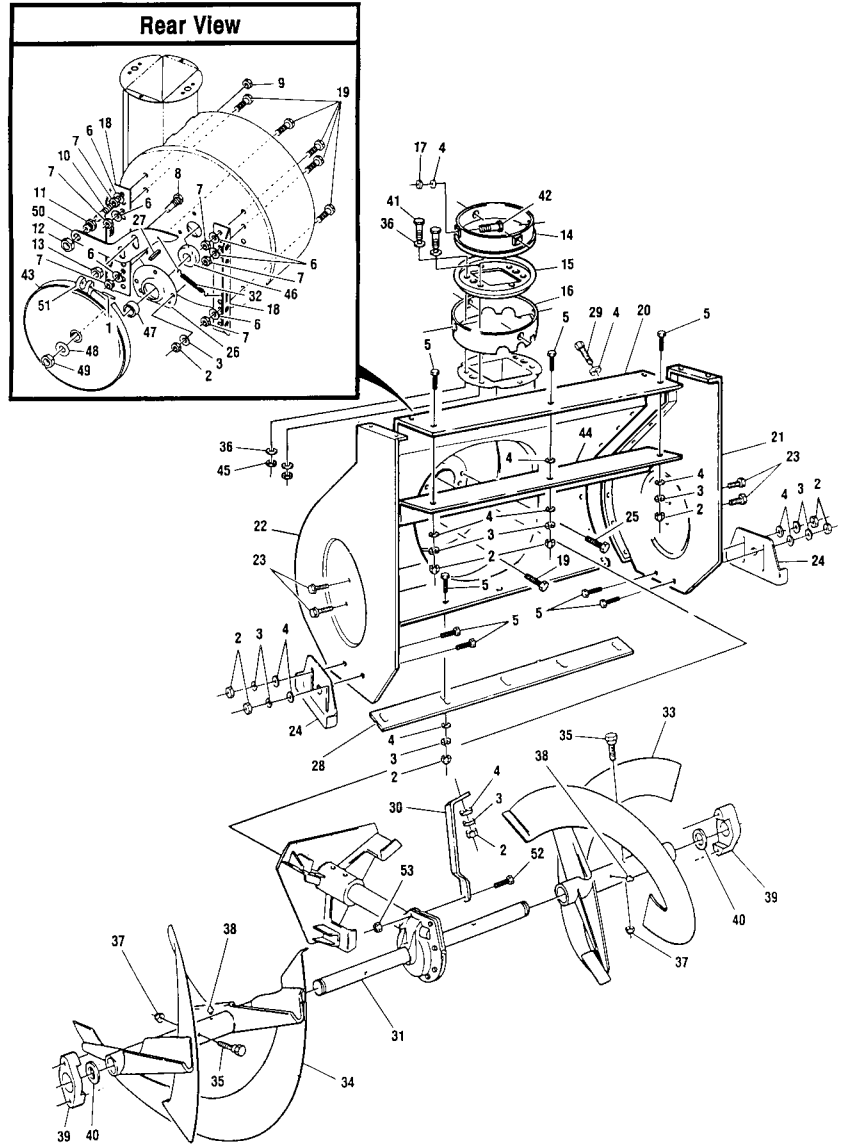
Prod.No: 968 87 07-10
 Engine: Tecumseh
 HMSK 100-1592 43 U

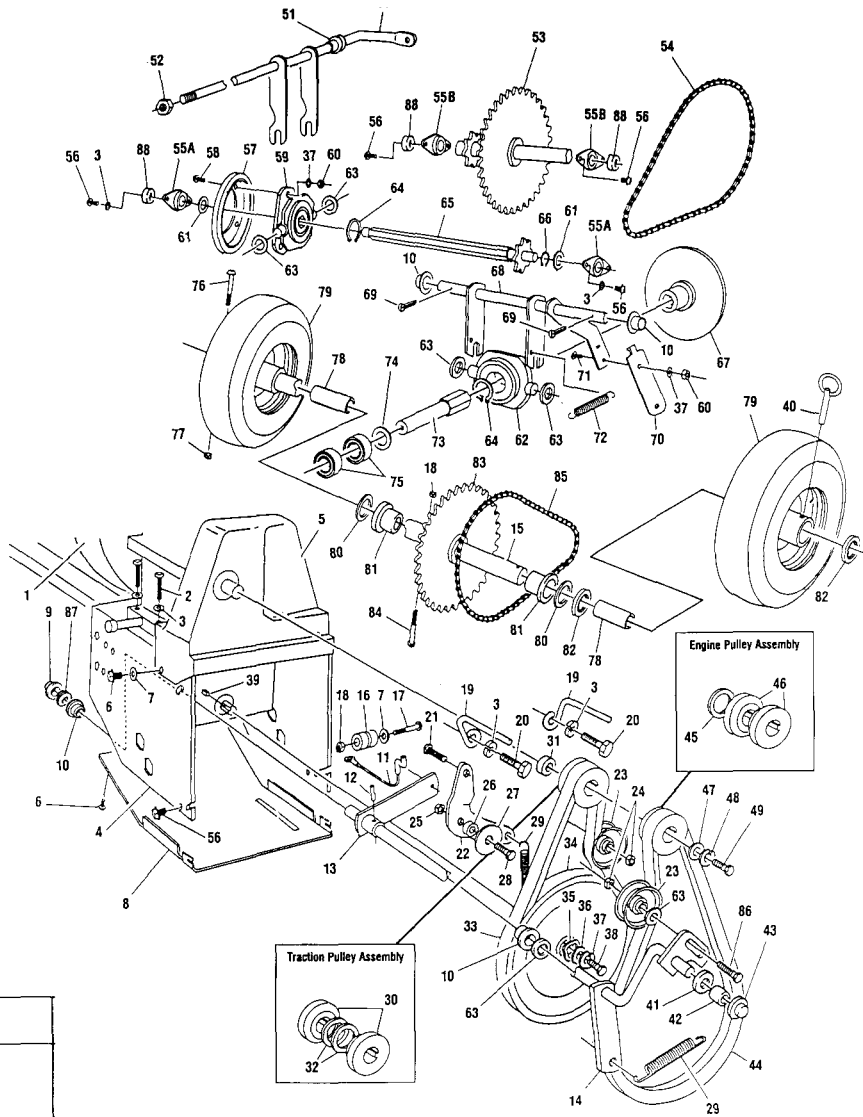
SPAREPARTS 107 26 54-63



Ref. No.	Part No.	Description	Ref. No.	Part No.	Description
1	533 58 03-19	Clutch handle R.H.	45	533 00 55-43	Lower handle
2	533 58 03-18	Clutch handle L.H.	46	874 78 05-12	5/16-18 x 3/4 Bolt
3	533 00 84-17	Cam lock spring	47	873 68 05-00	5/16-18 Hex nut
4	515 40 64-48	Clutch handle bracket	48	533 30 73-99	Crank handle
5	533 57 86-56	Light bracket	49	533 58 54-26	Crank
6	533 58 46-73	Pin - Spring pivot	50	515 40 01-48	Grommet
7	533 07 36-64	3/8 Cap retainer	51	533 30 93-12	3/8 Flat washer
8	533 00 64-42	Console bracket remote	52	533 57 81-59	3/8 E-ring retainer
9	515 40 64-68	Bracket console support	53	533 57 90-52	1/4 20 x 5/8 Bolt
10	533 07 09-82	5/16-18 x 1/2 Self tapping screw	54	533 07 10-67	1/4 Flat washer
11	515 47 09-67	1/4-20 x 1/2 Bolt	55	515 40 72-89	Plastic stop
12	533 07 10-59	1/4 Lock washer	56	533 58 51-95	Bracket, chute worm
13	533 07 10-34	1/4-20 Hex nut	57	533 58 16-18	3/8 Eye bolt
14	533 07 09-78	1/4-20 x 1/2 Self tapping screw	58	515 47 10-45	3/8-16 Hex jam nut
15	533 58 56-71	Console remote	59	515 57 86-57	Rubber pad
16	533 30 47-28	Control knob	60	515 57 86-53	Spring cam assist
17	515 40 64-44	Speed control lever	61	533 71 01-61	5/16 External tooth lock washer
18	874 78 06-28	3/8-16 x 1-3/4 Bolt	62	515 57 86-47	5/16-18 x 2 Bolt
19	515 45 07-86	Spring	63	533 58 34-90	Upper housing headlight
20	533 07 10-72	3/8 Flat washer	64	533 58 34-91	Lower housing headlight
21	873 68 06-00	3/8-16 Hex Locknut	65	533 57 92-68	Housing, light
22	515 40 64-38	Deflector lever remote	66	533 58 34-05	10 x 1-3/4 Screw
23	515 40 40-51	Spring washer	67	533 30 77-67	Wiring harness, light
24	874 78 06-28	1/4 20 x 1 Bolt	68	515 40 40-30	Bracket mounting, light
25	533 07 10-35	1/4-20 Nylock nut	69	533 00 66-36	Wire conduit
26	533 00 40-52	Remote chute cable	70	533 00 41-60	5/16-18 x 1-3/4 Carriage bolt
27	873 02 03-12	3/32 x 3/4 Cotter pin	71	533 57 92-69	Socket, ASM
28	734 11 62-71	5/16 Flat washer	72	533 58 15-76	Bulb, headlight
29	515 40 64-70	Rod speed control	73	533 57 92-66	Lens, flood, clear
30	515 47 10-42	5/16-24 Hex nut	74	533 30 81-45	Boot, eye bolt
31	515 40 63-52	Adapter	75	533 30 93-44	Adapter, boot
32	515 45 07-82	Ball Joint	76	515 43 03-13	Switch on/off
33	810 04 05-00	5/16 Lock washer	77	515 45 11-55	Wire harness
34	533 00 71-14	Upper handle	78	515 43 03-14	5/8 Lock washer
35	515 40 15-79	Clutch cable	79	515 43 03-15	5/8-32 Nut
36	515 47 09-89	5/16-18 x 1-1/2 Bolt	80	515 43 03-16	Key
37	874 78 05-28	5/16-18 x 1-3/4 Bolt	81	533 57 94-93	1/16 x 1/2 Cotter pin
38	515 47 13-91	5/16-18 Locknut	82	533 58 51-96	Worm, moulded chute rotate
39	874 78 06-48	3/8-16 x 3 Bolt	83	533 57 80-60	Universal pin
40	810 04 06-00	3/8 Lock washer	84	533 57 80-63	Universal housing
41	873 22 06-00	3/8-16 Hex nut	85	533 57 83-09	Clevis pin
42	515 40 65-44	Spacer			
43	515 40 16-73	Spring, auger clutch			
44	515 40 16-71	Spring drive clutch			

Ref. No.	Part No.	Description
1	533 07 38-01	5/32 x 7/8 Roll pin
2	873 68 05-00	5/16-18 Hex nut
3	810 04 05-00	5/16 Lock washer
4	734 11 62-71	5/16 Flat washer
5	872 14 06-06	5/16-18 x 3/4 Carriage bolt
6	810 04 06-00	3/8 Split lock washer
7	873 22 06-00	3/8-16 Hex nut
8	533 58 54-46	Brake arm adj bolt
9	515 47 10-45	3/8-16 Jam nut
10	533 58 54-71	Brake arm stud
11	533 58 54-70	Brake arm pivot bolt
12	533 58 56-08	9/16-18 Jam nut, lock
13	533 58 56-09	1/2-20 Jam nut, lock
14	533 58 51-94	Chute rotate ring, inner
15	533 58 52-14	Chute collar rotate
16	533 58 51-93	Chute collar rotate ring, outer
17	533 07 10-38	5/16-18 Nylock nut
18	533 33 39-17	Mounting bracket
19	533 07 10-03	3/8-16 x 3/4 Bolt
20	533 58 55-59	Auger housing 33"
21	533 00 69-22	Side plate L.H.
22	533 00 69-21	Side plate R.H.
23	533 07 09-84	5/16-18 x 3/4 Self tapping screw
24	533 00 08-73	Height adjust skid
25	533 58 04-35	Impeller stud
26	533 58 29-60	Retainer, bearing
27	533 07 13-71	3/16 Key
28	533 00 69-25	33" Scraper bar
29	515 47 09-86	5/16-18 x 1 Bolt
30	515 40 55-24	Gear box brace
31	533 58 57-15	33" Gear box assembly
32	533 31 84-68	Return spring
33	533 58 46-46	32" Serrated auger L.H.
34	533 58 46-47	32" Serrated auger R.H.
35	515 57 86-47	Shear bolt
36	533 07 10-67	1/4 Washer
37	515 47 13-91	5/16-18 Locknut
38	533 01 01-04	Grease fitting
39	533 05 37-57	Bushing auger shaft
40	533 07 37-55	Washer
41	533 57 90-52	1/4-20 x 5/8 bolt
42	533 58 62-80	5/16-18 x 1 Carriage bolt
43	533 58 31-46	Auger pulley 8.4"
44	533 58 47-41	33" Stiffener
45	533 07 10-35	1/4-20 Nylock nut
46	533 58 07-81	Bearing
47	533 58 32-19	Spacer, impeller
48	533 07 10-74	1/2 Washer
49	533 00 52-51	1/2-20 Locknut
50	533 58 54-60	Brake arm
51	533 58 15-40	Brake pad
52	515 40 14-41	5/16-24 x 1-3/4 Bolt
53	515 47 11-00	5/16-24 Flange locknut

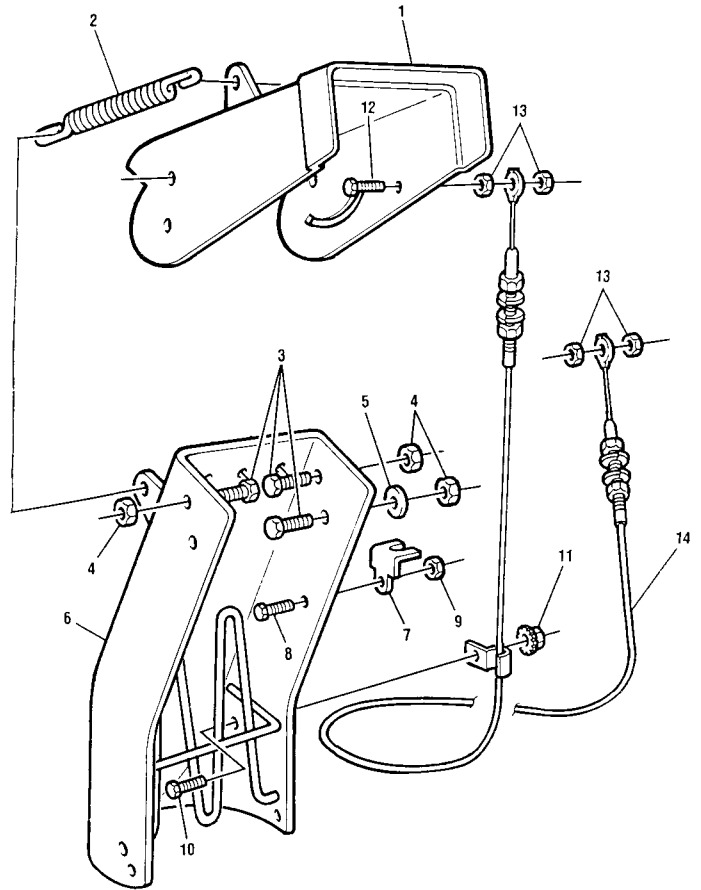




Ref. No.	Part No.	Description
2	533 00 95-53	5/16-18 x 1.5 Bolt
3	810 04 05-00	5/16 Lockwasher
4	533 73 78-20	Motor mount
5	533 58 07-73	Belt cover
6	533 07 09-78	1/4-20 x 1/2 Self tap
7	533 07 10-67	1/4 Flat washer
8	533 58 30-31	Bottom panel
9	533 07 38-17	Push nut
10	533 05 37-03	Plastic bushing
11	533 57 98-56	Cable eye lever
12	533 07 38-01	Roll pin
13	533 57 98-74	Auger clutch cable lever
14	533 58 54-83	Auger clutch assy.
15	533 58 30-17	Axle
16	533 57 98-60	Spool
17	533 07 13-60	1/4-20 x 1-3/4 Bolt
18	533 07 10-35	1/4-20 Nylock nut
19	533 00 39-49	Belt guide
20	533 07 11-48	5/16-24 x 3/4 Bolt
21	533 07 10-06	3/8-16 x 1-1/4 Bolt
22	533 57 98-72	Idler lever
23	533 05 07-93	Idler pulley
24	533 00 05-90	3/8-16 Jam nut
25	533 07 10-38	5/16-18 Nylock nut
26	533 57 98-65	Bushing Idler lever
27	533 07 37-95	5/16 x 1-1/4 Flat washer
28	874 78 05-12	5/16-18 x 3/4 Bolt
29	533 05 37-04	Idler spring
30	533 57 98-54	Traction pulley
31	533 57 98-55	Crankshaft washer
32	533 57 98-61	Pulley spacer
33	533 57 99-32	Traction belt
34	533 58 09-61	Traction pulley
35	533 58 09-65	Wave washer
36	533 57 89-62	1/4 x 1 Flat washer
37	533 07 10-59	1/4 Split lockwasher
38	874 78 04-10	1/4-20 x 5/8 Bolt
39	533 58 09-70	3/16 Square key
40	533 07 38-42	Click pin
41	533 07 10-74	1/2 Washer
42	533 58 54-74	Brake arm clutch bushing
43	533 07 38-17	Push nut
44	533 58 54-37	Auger belt
45	533 58 62-51	Spacer
46	533 58 62-53	Engine pulley, split
47	533 05 06-77	3/8 x 1-1/4 Flat washer

Ref. No.	Part No.	Description
48	533 07 10-63	3/8 Split lockwasher
49	533 07 10-15	3/8-24 x 1 Bolt
50	533 33 74-36	Speed select lever
51	533 57 99-44	Plastic bushing
52	533 07 11-11	3/8-16 Center locknut
53	533 00 05-90	Jack shaft
54	533 58 30-16	Chain 420 x 40P
55A	533 33 41-63	Bearing, retainer
55B	533 57 98-50	Bearing, retainer
56	533 07 09-82	5/16-18 x 1/2 Self tapping
57	533 05 38-30	Friction wheel
58	533 01 18-71	1/4-20 x 5/8 Bolt GR5
59	533 33 70-29	Bearing trunnion clutch release
60	533 07 10-34	1/4-20 Hex nut
61	533 57 98-58	Washer
62	533 08 55-01	Trunnion bearing
63	533 07 38-12	Trunnion washer
64	533 07 38-11	1-1/4 Retainer ring
65	533 57 98-97	Hex shaft
66	533 43 56-48	Retainer ring
67	533 58 34-70	Friction disc
68	533 57 99-41	Traction shaft
69	533 13 71-85	1/8 x 1 Cotter pin
70	533 57 99-37	Traction spring lever
71	533 01 18-71	1/4-20 x 5/8 Bolt GR5
72	533 05 38-18	Clutch spring return
73	533 58 31-55	Traction hex shaft
74	533 58 09-69	Washer
75	533 58 07-81	Ball bearing
76	533 57 70-15	Shear bolt
77	533 07 38-26	1/4-20 Locknut
78	533 58 55-91	Wheel bushing
79	533 58 46-33	16 x 6.50-8 Wheel
80	533 00 61-04	3/4 x 1-1/8 Washer
81	533 58 17-30	Axle bearing
82	533 00 02-39	Retainer ring
83	533 58 30-07	Sprocket 37T
84	533 07 38-39	1/4-20 x 2-1/4 Bolt
85	533 58 30-13	Chain 420 x 41P
86	533 58 57-81	3/8-16 x 1-1/4 Carriage bolt
87	533 03 60-36	Spring washer
88	533 57 98-63	Bearing
89	964 99 30-01	(Option) Snow chains

Ref. No.	Part No.	Description
1	533 00 41-38	Chute deflector remote
2	515 40 35-19	Spring
3	533 07 11-47	5/16-18 x 3/4 Pan head slotted bolt
4	533 07 10-38	5/16-18 Locknut
5	533 00 67-11	Plastic washer
6	533 58 57-52	Chute extension remote
7	515 40 41-73	Bracket cable
8	533 00 31-34	5/16-18 x 1/2 Bolt
9	515 47 13-91	5/16-18 Locknut
10	515 47 10-21	10-24 x 3/8 Bolt
11	533 07 10-55	10-24 Locknut
12	533 07 09-69	1/4-20 x 1 Bolt
13	533 07 10-35	1/4-20 Locknut
14	533 00 40-52	Remote cable



Ref. No.	Part No.	Description
1	515 45 37-44	Seal
2	515 40 08-95	Housing L.H.
3	515 45 37-43	Bearing
4	515 40 08-98	Housing assembly L.H.
5	515 45 37-48	Race thrust
6	515 47 39-05	Key, Woodruff # 91
7	515 45 37-30	Worm gear
8	515 40 08 97	Gasket
9	515 40 08-99	Housing assembly R.H.
10	515 40 14-03	32" Auger shaft
11	515 40 09-12	5/16-24 x 1-1/2 Bolt
12	515 45 37-37	Ring quad
13	533 58 31-26	Bearing impeller shaft
14	533 07 38-26	1/4-20 Locknut
15	515 45 06-84	Bearing needle
16	515 40 93-46	Race thrust
17	515 45 07-95	Key 3/16"
18	515 45 37-32	Worm
19	533 57 70-15	1/4-20 x 2-1/4 Bolt
20	533 07 10-67	1/4 Flat washer
21	515 45 37-31	Bearing impeller shaft
22	515 45 37-49	Grease plug
23	533 58 55-46	Impeller shaft
24	533 08 51-42	Impeller
25	515 40 08-96	Housing R.H.
26	515 47 13-93	5/16-24 x 1 Bolt
27	515 47 11-00	5/16-24 Flange locknut
28	533 07 13-71	3/16" Key

