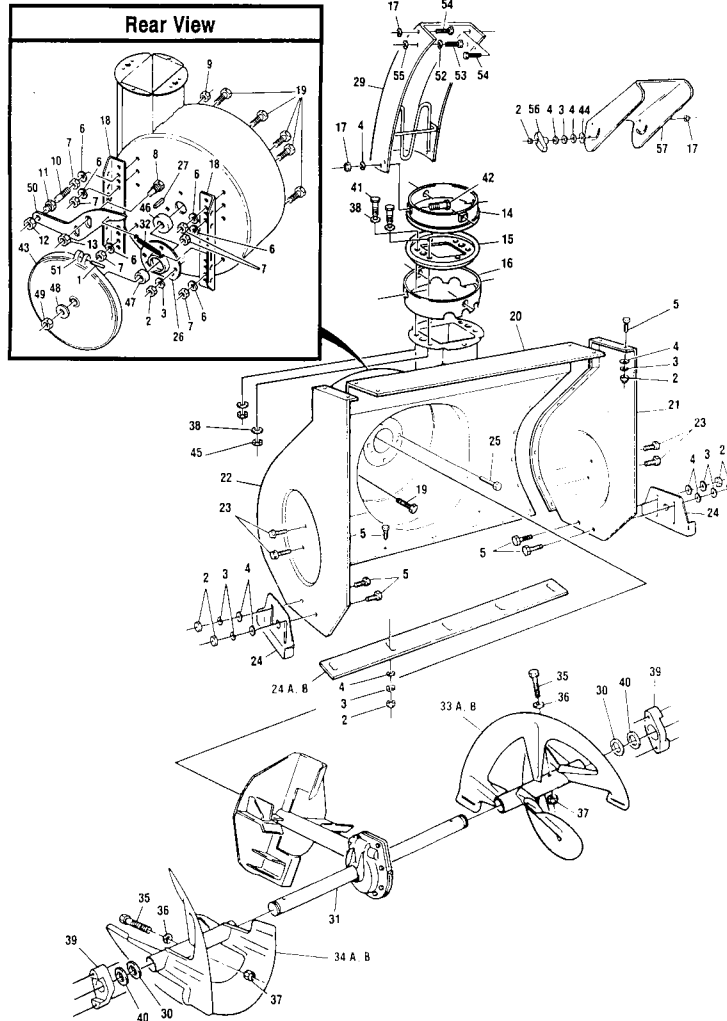




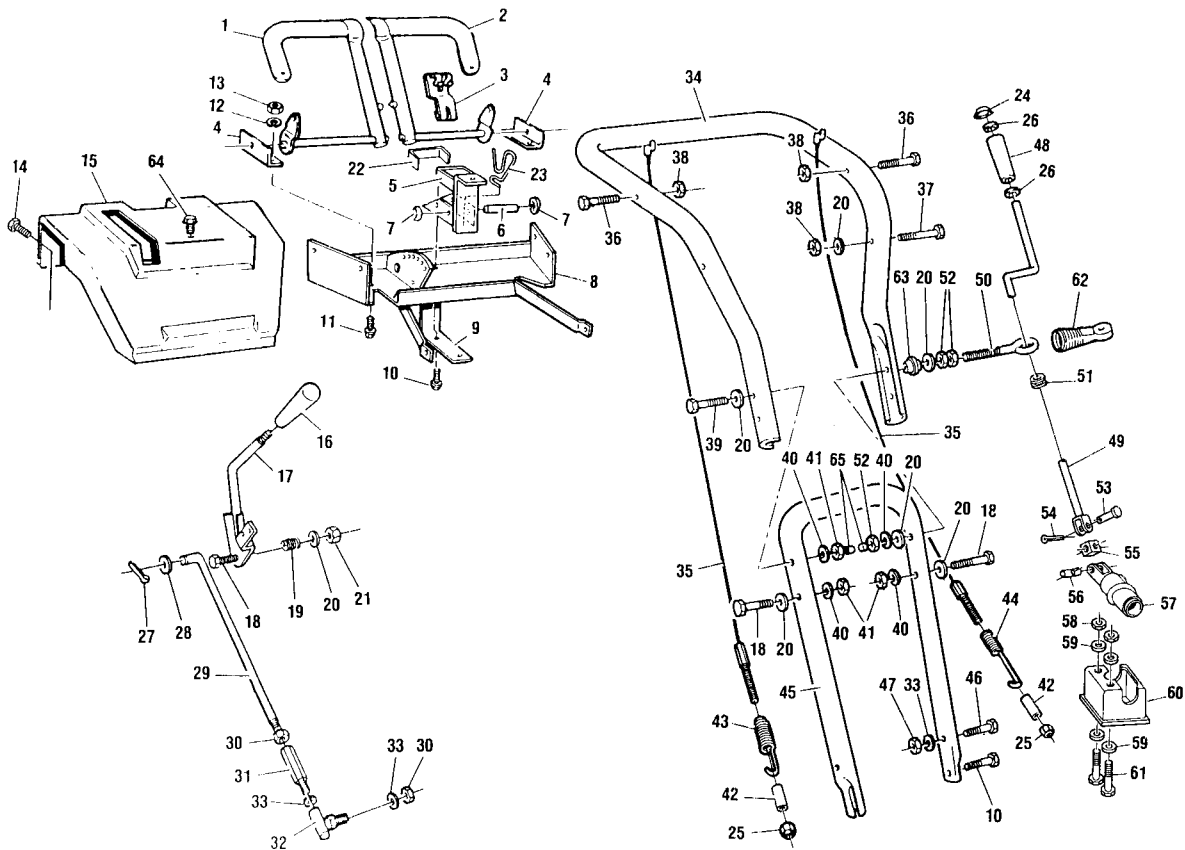
Prod.No: 968 87 06-10 - 8-69
Prod.No: 968 87 08-10 - 8-69S
Engine: Tecumseh
HMSK 80-155480 T

SPAREPARTS

107 26 53-63

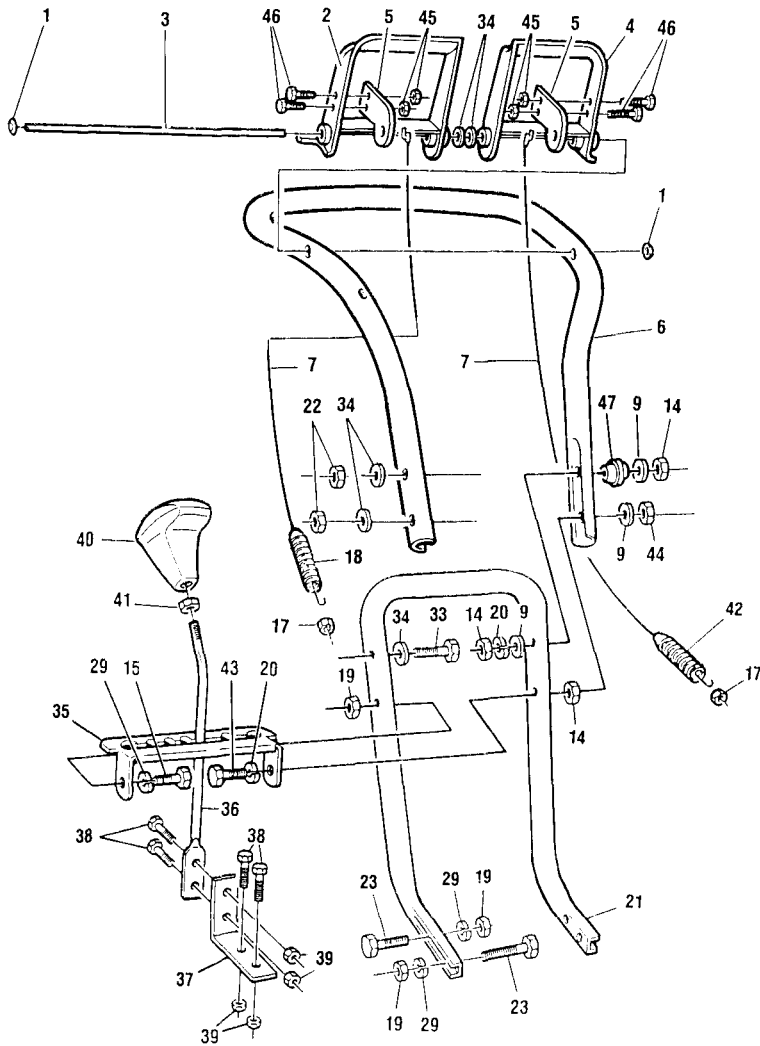


Ref. No.	Part No.	Description	Ref. No.	Part No.	Description
1	553 07 38-01	5/32 x 7/8 Roll pin	33A	533 33 71-70	27" Serrated auger L.H., 8-69
2	873 68 05-00	5/16-18 Hex nut	33B	533 58 44-64	Auger L.H., 8-69S
3	810 04 05-00	5/16 Lock washer	34A	533 33 71-71	27" Serrated auger R.H., 8-69
4	734 11 62-71	5/16 Flat washer	34B	533 58 44-65	Auger R.H., 8-69S
5	872 14 06-06	5/16-18 x 3/4 Carriage bolt	35	533 00 95-24	1/4-20 x 1-3/4 Bolt
6	810 04 06-00	3/8 Split lock washer	36	533 00 39-43	Spacer
7	873 22 06-00	3/8-16 Hex nut	37	533 07 38-26	1/4-20 Locknut
8	533 58 54-46	Brake arm adj bolt	38	533 07 10-67	1/4 Flat washer
9	515 47 10-45	3/8-16 Jam nut	39	533 05 37-57	Bushing auger shaft
10	533 58 54-71	Brake arm stud	40	533 07 37-55	Washer
11	533 58 54-70	Brake arm pivot bolt	41	515 47 09-74	1/4-20 x 3/4 Bolt
12	533 58 56-08	9/16-18 Jam nut, lock	42	533 58 62-80	5/16-18 x 1 Carriage bolt
13	533 58 56-09	1/2-20 Jam nut, lock	43	533 58 31-46	Auger pulley 8.4"
14	533 58 51-94	Chute rotate ring, inner	44	533 00 67-11	Plastic washer
15	533 58 52-14	Chute collar rotate	45	533 07 10-35	1/4-20 Locknut
16	533 58 51-93	Chute rotate ring, outer	46	533 58 07-81	Bearing
17	533 07 10-38	5/16-18 Nylock nut	47	533 58 32-19	Spacer, impeller
18	533 33 39-17	Mounting bracket	48	533 07 10-74	1/2 Washer
19	533 07 10-03	3/8-16 x 3/4 Bolt	49	533 00 52-51	1/2-20 Locknut
20	533 58 53-66	27" Auger housing	50	533 58 54-60	Brake arm
21	533 40 69-16	Side plate L.H.	51	533 58 15-40	Brake pad
22	533 40 69-15	Side plate R.H.	52	533 07 10-73	7/16 Flat washer
23	533 07 09-84	5/16-18 x 3/4 Self tapping screw	53	533 00 33-16	5/16-18 x 1 Carriage bolt
24A	533 00 08-73	Height adjust skid, 8-69	54	533 07 11-47	5/16-18 x 3/4 Pan head slotted bolt
24B	533 08 51-05	Height adjust skid, 8-69S	55	533 01 20-21	Plastic washer
25	533 58 04-35	Impeller stud	56	533 00 98-84	Wing knob
26	533 58 29-60	Retainer, bearing	57	533 00 18-05	Chute deflector
27	533 07 13-71	3/16" Key			
28	533 58 30-35	27" Scraper bar			
29	533 58 57-54	Chute extension			
30	515 47 37-56	1" Retainer ring			
31	533 58 34-65	25" Gear box assembly			
32	533 31 84-68	Return spring			

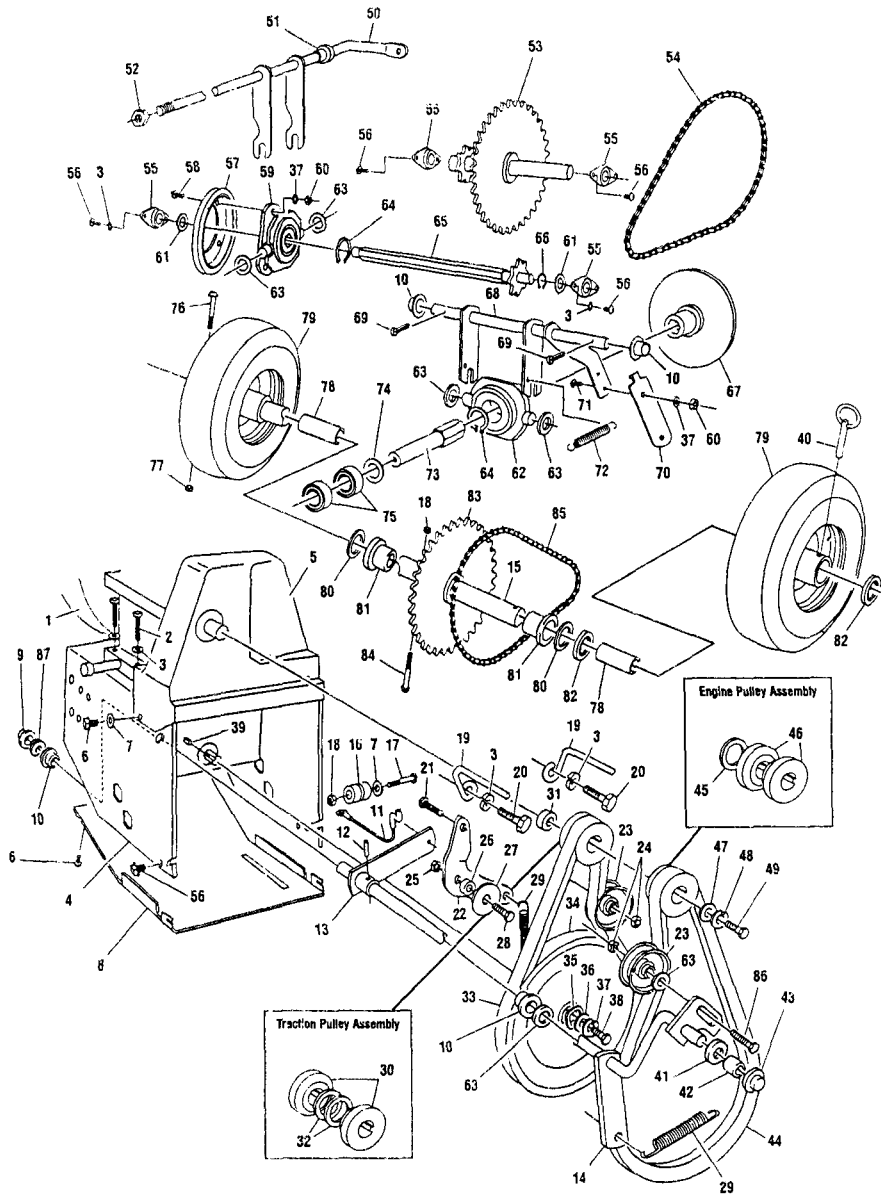


Ref. No.	Part No.	Description	Ref. No.	Part No.	Description
1	533 58 03-19	Clutch handle R.H.	33	533 07 10-60	5/16 Lock washer
2	533 58 03-18	Clutch handle L.H.	34	533 00 71-14	Upper handle
3	533 00 84-17	Cam lock spring	35	515 40 15-80	Clutch cable
4	533 00 63-48	Clutch handle bracket	36	515 47 09-89	5/16-18 x 1-1/2 Bolt
5	515 57 86-56	Light bracket	37	874 78 05-28	5/16-18 x 1-3/4 Bolt
6	533 58 46-73	Pin - Spring pivot	38	533 07 10-38	5/16-18 Hex nylock nut
7	533 07 36-64	3/8 Cap retainer	39	874 78 06-48	3/8-16 x 3 Bolt
8	533 00 64-41	Console bracket standard	40	810 04 06-00	3/8 Lock washer
9	515 40 64-68	Bracket console support	41	873 22 06-00	3/8-16 Hex nut
10	533 07 09-82	5/16-18 x 1/2 Self tapping screw	42	515 40 65-44	Spacer
11	515 47 09-67	1/4-20 x 1/2 Bolt	43	515 40 16-73	Spring, auger clutch
12	533 07 10-59	1/4 Lock washer	44	533 57 98-69	Spring, drive clutch
13	533 07 10-34	1/4-20 Hex nut	45	533 00 55-43	Lower handle
14	533 07 09-78	1/4-20 x 1/2 Self tapping screw	46	874 78 05-12	5/16-18 x 3/4 Bolt
15	533 58 55-18	Console standard (without remote chute)	47	873 68 05-00	5/16-18 Hex nut
16	533 30 47-28	Control knob	48	533 30 73-99	Crank handle
17	515 40 64-44	Speed control lever	49	533 58 54-26	Crank
18	874 78 06-28	3/8-16 x 1-3/4 Bolt	50	533 58 16-18	Eye bolt
19	515 45 07-86	Spring	51	515 40 01-48	Grommet
20	533 07 10-72	3/8 Flat washer	52	515 47 10-45	3/8-16 Hex jam nut
21	873 68 06-00	3/8-16 Hex nylock nut	53	533 57 83-09	Clevis pin
22	515 57 86-57	Rubber pad	54	533 57 94-93	1/16 x 1/2 Cotter pin
23	515 57 86-53	Spring cam assist	55	533 57 80-63	Universal housing
24	533 57 81-59	3/8 Cap retainer	56	533 57 80-60	Universal pin
25	533 07 10-35	1/4-20 Nylock nut	57	533 58 51-96	Worm, moulded chute rotate
26	533 30 93-12	3/8 Flat washer	58	533 07 10-35	1/4-20 Nylock nut
27	876 02 03-12	3/32 x 3/4 Cotter pin	59	533 07 10-67	1/4 Flat washer
28	734 11 62-71	5/16 Flat washer	60	533 58 51-95	Bracket, chute worm
29	515 40 64-70	Rod speed control	61	533 57 90-52	1/4-20 x 5/8 Bolt
30	515 47 10-42	5/16-24 Hex nut	62	533 30 81-45	Boot, eye bolt
31	515 40 63-52	Adapter	63	533 30 93-44	Adapter, boot
32	515 45 07-82	Ball Joint	64	533 07 09-84	5/16-18 x 3/4 Self tapping screw
			65	515 40 72-89	Plastic stop
			66	531 02 06-10	Headlamp (Not shown)

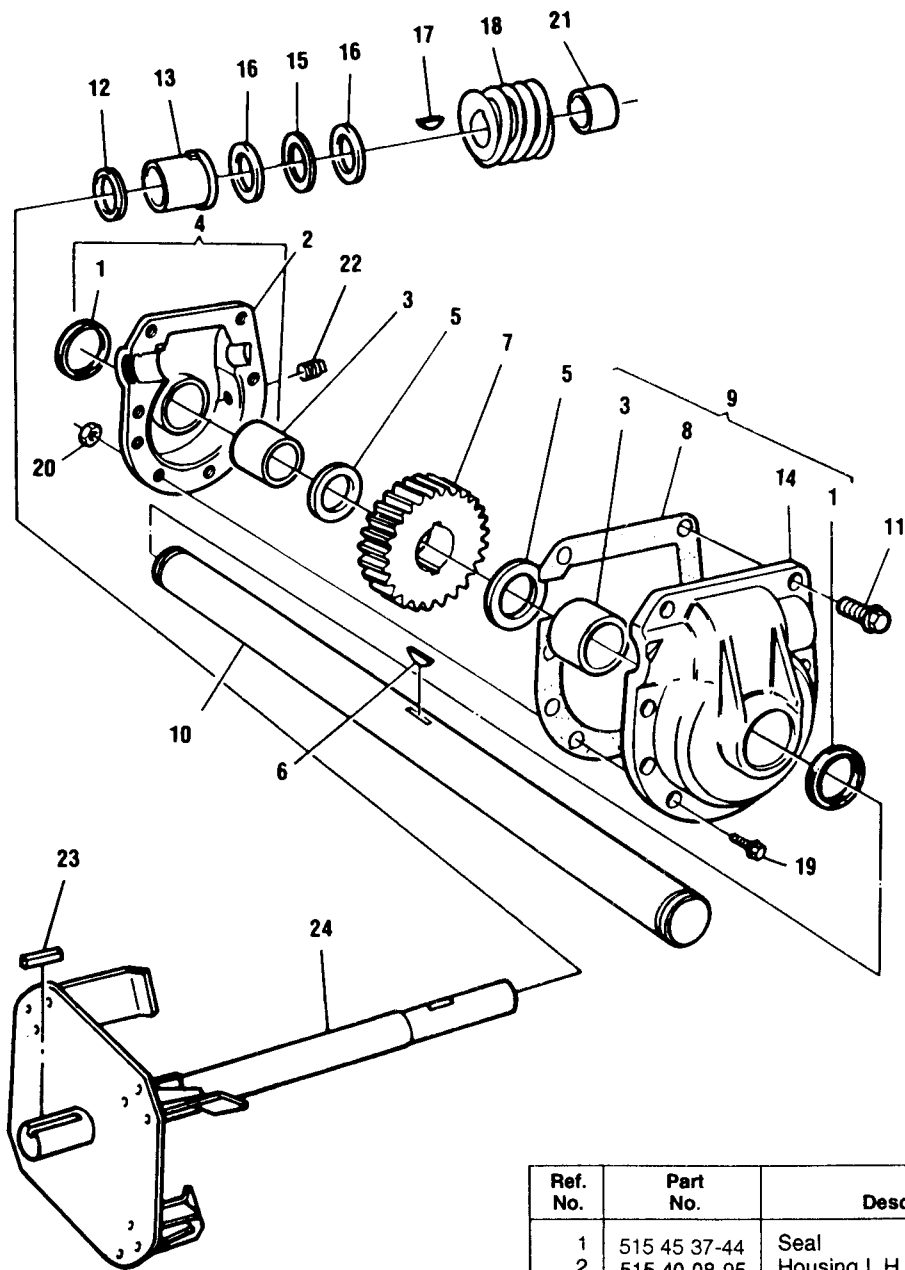
8-69S



Ref. No.	Part No.	Description
1	533 00 35-35	5/16 Cap nut
2	533 01 10-36	Clutch handle R.H.
3	533 01 10-41	Rod, clutch handle
4	533 01 10-35	Clutch handle L.H.
5	533 01 17-45	Plate, cable pivot
6	533 83 58-30	Upper handle
7	515 40 15-79	Clutch cable
8	533 57 81-59	3/8 Cap retainer
9	533 07 10-72	3/8 Flat washer
10	533 30 73-99	Crank handle
11	533 58 54-26	Crank
12	533 00 01-48	Grommet
13	533 07 14-57	3/8 Eye bolt
14	533 07 10-45	3/8-16 Hex jam nut
15	515 40 02-35	5/16-18 x 2-3/4 Bolt
16	533 30 93-12	3/8 Flat washer
17	533 07 10-35	1/4-20 Nylock nut
18	515 40 16-73	Spring, auger clutch
19	873 68 05-00	5/16-18 Hex nut
20	810 04 06-00	3/8 Lock washer
21	533 54 18-30	Lower handle
22	533 07 10-38	5/16-18 Hex nylock nut
23	874 78 05-12	5/16-18 x 3/4 Bolt
24	533 58 51-96	Worm, moulded chute rotate
25	533 57 80-60	Universal pin
26	533 57 80-63	Universal housing
27	533 57 83-09	Clevis pin
28	533 57 94-93	1/16 x 1/2 Cotter pin
29	810 04 05-00	5/16 Lock washer
30	533 30 81-45	Boot, Eyebolt
31	533 58 51-95	Bracket, chute worm
32	533 07 10-67	1/4 Flat washer
33	874 78 05-28	5/16-18 x 1-3/4 Bolt
34	734 11 62-71	5/16 Flat washer
35	533 58 06-39	Shifter bracket
36	533 58 16-31	Shifter rod
37	533 58 16-29	Shifter lever spring
38	515 47 09-74	1/4-20 x 3/4 Bolt
39	533 30 26-35	1/4-20 Flange nut
40	533 30 44-38	Shift knob
41	533 47 10-52	1/2-13 Hex nut
42	533 57 98-69	Spring, drive clutch
43	533 58 04-22	3/8-18 x 2 Bolt
44	873 68 06-00	3/8-16 Hex nylock nut
45	533 07 10-35	1/4-20 Nylock nut
46	515 47 09-74	1/4-20 x 3/4 Bolt
47	533 30 93-44	Adaptor Boot
48	531 02 06-10	Headlamp (Not shown)



Ref. No.	Part No.	Description
2	533 07 09-88	5/16-18 x 1.25 Bolt
3	810 04 05-00	5/16 Lockwasher
4	533 73 78-20	Motor mount
5	533 58 07-73	Belt cover
6	533 07 09-78	1/4-20 x 1/2 Self tap
7	533 07 10-67	1/4 Flat washer
8	533 58 30-31	Bottom panel
9	533 07 38-17	Push nut
10	533 05 37-03	Plastic bushing
11	533 57 98-56	Cable eye lever
12	533 07 38-01	Roll pin
13	533 57 98-74	Auger clutch cable lever
14	533 58 54-83	Auger clutch assy.
15	533 58 30-17	Axle
16	533 57 98-60	Spool
17	533 07 13-60	1/4-20 x 1-3/4 Bolt
18	533 07 10-35	1/4-20 Nylock nut
19	533 00 39-49	Belt guide
20	533 57 87-33	5/16-24 x 5/8 Bolt
21	533 07 10-06	3/8-16 x 1-1/4 Bolt
22	533 57 98-72	Idler lever
23	533 05 07-93	Idler pulley
24	533 00 05-90	3/8-16 Jam nut
25	533 07 10-38	5/16-18 Nylock nut
26	533 57 98-65	Bushing Idler lever
27	533 07 37-95	5/16 x 1-1/4 Flat washer
28	874 78 05-12	5/16-18 x 3/4 Bolt
29	533 05 37-04	Idler spring
30	533 57 98-54	Traction pulley
31	533 57 98-55	Crankshaft washer
32	533 57 98-61	Pulley spacer
33	533 57 99-32	Traction belt
34	533 58 09-61	Traction pulley
35	533 58 09-65	Wave washer
36	533 57 89-62	1/4 x 1 Flat washer
37	533 07 10-59	1/4 Split lockwasher
38	874 78 04-10	1/4-20 x 5/8 Bolt
39	533 58 09-70	3/16 Square key
40	533 07 38-42	Click pin
41	533 07 10-74	1/2 Washer
42	533 58 54-74	Brake arm clutch bushing
43	533 07 38-17	Push nut
44	533 58 54-16	Auger belt
45	533 58 62-51	Spacer
46	533 58 62-53	Engine pulley, split
47	533 05 06-77	3/8 x 1-1/4 Flat washer
48	533 07 10-63	3/8 Split lockwasher
49	533 07 10-15	3/8-24 x 1 Bolt
50A	533 33 74-36	Speed select lever, 8-69
50B	533 58 69-29	Speed select lever, 8-69S
51	533 57 99-44	Plastic bushing
52	533 07 11-11	3/8-16 Center locknut
53	533 58 30-10	Jack shaft
54	533 57 98-67	Chain 420 x 40P
55	533 33 41-63	Bearing
56	533 07 09-82	5/16-18 x 1/2 Bolt
57	533 05 38-30	Friction wheel
58	533 01 18-71	1/4-20 x 5/8 Bolt GR5
59	533 33 70-29	Bearing trunnion clutch release
60	533 07 10-34	1/4-20 Hex nut
61	533 57 98-58	Washer
62	533 08 55-01	Trunnion bearing
63	533 07 38-12	Trunnion washer
64	533 07 38-11	1-1/4 Retainer ring
65	533 57 98-97	Hex shaft
66	533 43 56-48	Retainer ring
67	533 58 34-70	Friction disc
68	533 57 99-41	Traction shaft
69	533 13 71-85	1/8 x 1 Cotter pin
70	533 57 99-37	Traction spring lever
71	533 01 18-71	1/4-20 x 5/8 Bolt GR5
72	533 05 38-18	Clutch spring return
73	533 58 31-55	Traction hex shaft
74	533 58 09-69	Washer
75	533 58 07-81	Ball bearing
76	533 57 70-15	Shear bolt
77	533 07 38-26	1/4-20 Locknut
78	533 58 55-91	Wheel bushing
79	533 58 33-84	4.80 x 4.00 - 6.15 Wheel (HOG)
80	533 00 61-04	3/4 x 1-1/8 Washer
81	533 58 17-30	Axle bearing
82	533 00 02-39	Retainer ring
83	533 58 30-07	Sprocket 37T
84	533 57 70-15	1/4-20 x 2-1/4 Bolt
85	533 58 30-13	Chain 420 x 41P
86	533 58 57-81	3/8-16 x 1-1/4 Carriage bolt
87	533 03 60-36	Spring washer
88	506 18 05-00	Snow chains (Not shown)
89	996 50 65-15	Starter kit (Not shown)



Ref. No.	Part No.	Description
1	515 45 37-44	Seal
2	515 40 08-95	Housing L.H.
3	515 45 37-43	Bearing
4	515 40 08-98	Housing assembly L.H.
5	515 45 37-48	Race thrust
6	515 47 39-05	Key, Woodruff # 91
7	515 45 37-30	Worm gear
8	515 40 08-97	Gasket
9	515 40 08-99	Housing assembly R.H.
10	533 58 45-13	27" Auger shaft
11	515 40 09-12	5/16-24 x 1-1/2 Bolt
12	515 45 37-37	Ring quad
13	533 58 31-26	Bearing impeller shaft
14	515 40 08-96	Housing R.H.
15	515 45 06-84	Bearing needle
16	515 40 93-46	Race thrust
17	515 45 07-95	Key 3/16"
18	515 45 37-32	Worm
19	515 47 13-93	5/16-24 x 1 Bolt
20	515 47 11-00	5/16-24 Flange locknut
21	515 45 37-31	Bearing impeller shaft
22	515 45 37-49	Grease plug
23	533 07 13-71	3/16" Key
24	533 58 54-23	Impeller shaft assy.