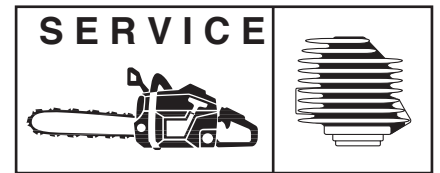


PARTNER



IPL, SB210, 961810001, 2006-11, Snow Thrower

SB210

Spare parts

Ersatzteile

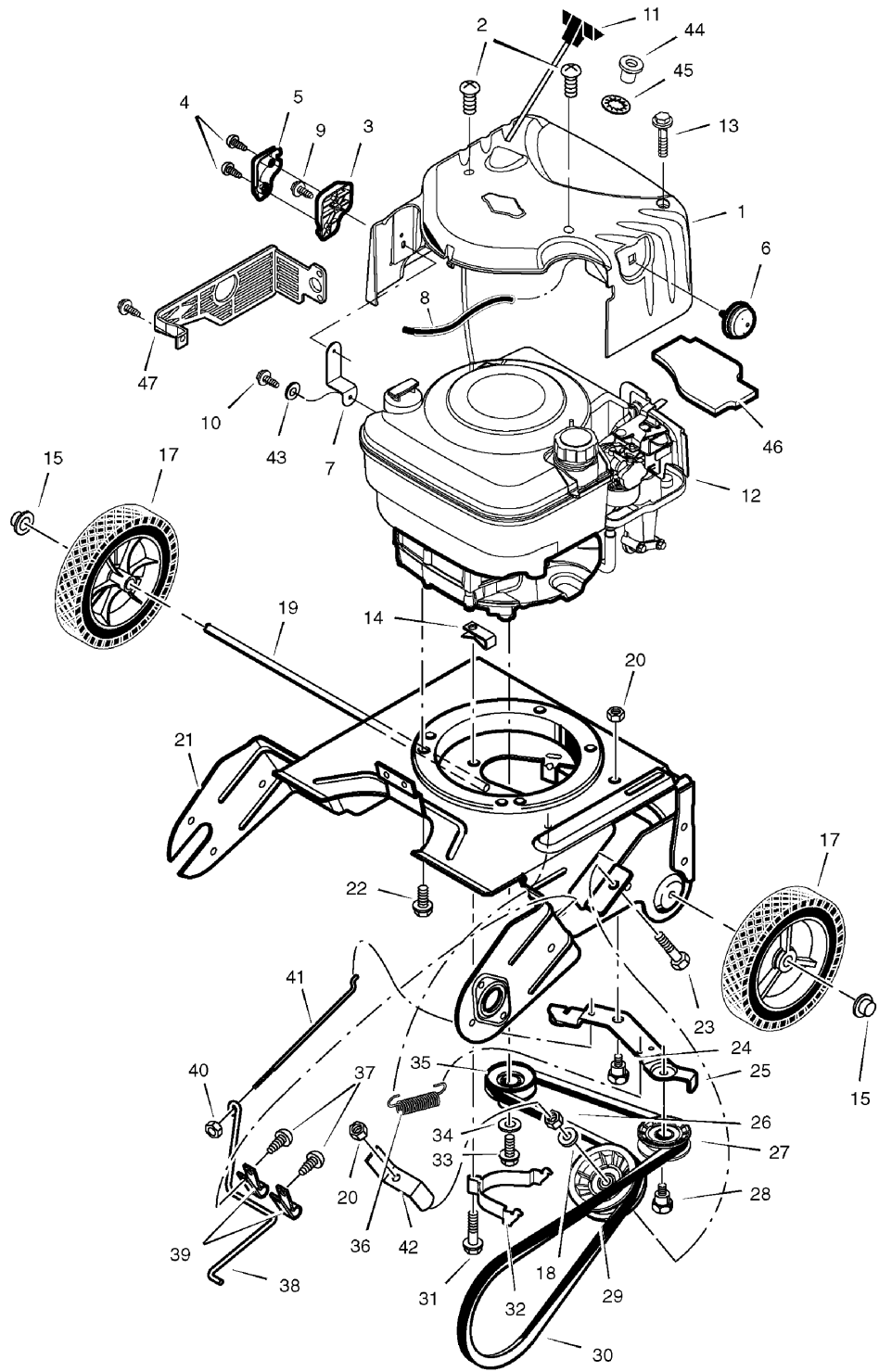
Pièces détachées

Reserve onderdelen

Repuestos

Reservdelar

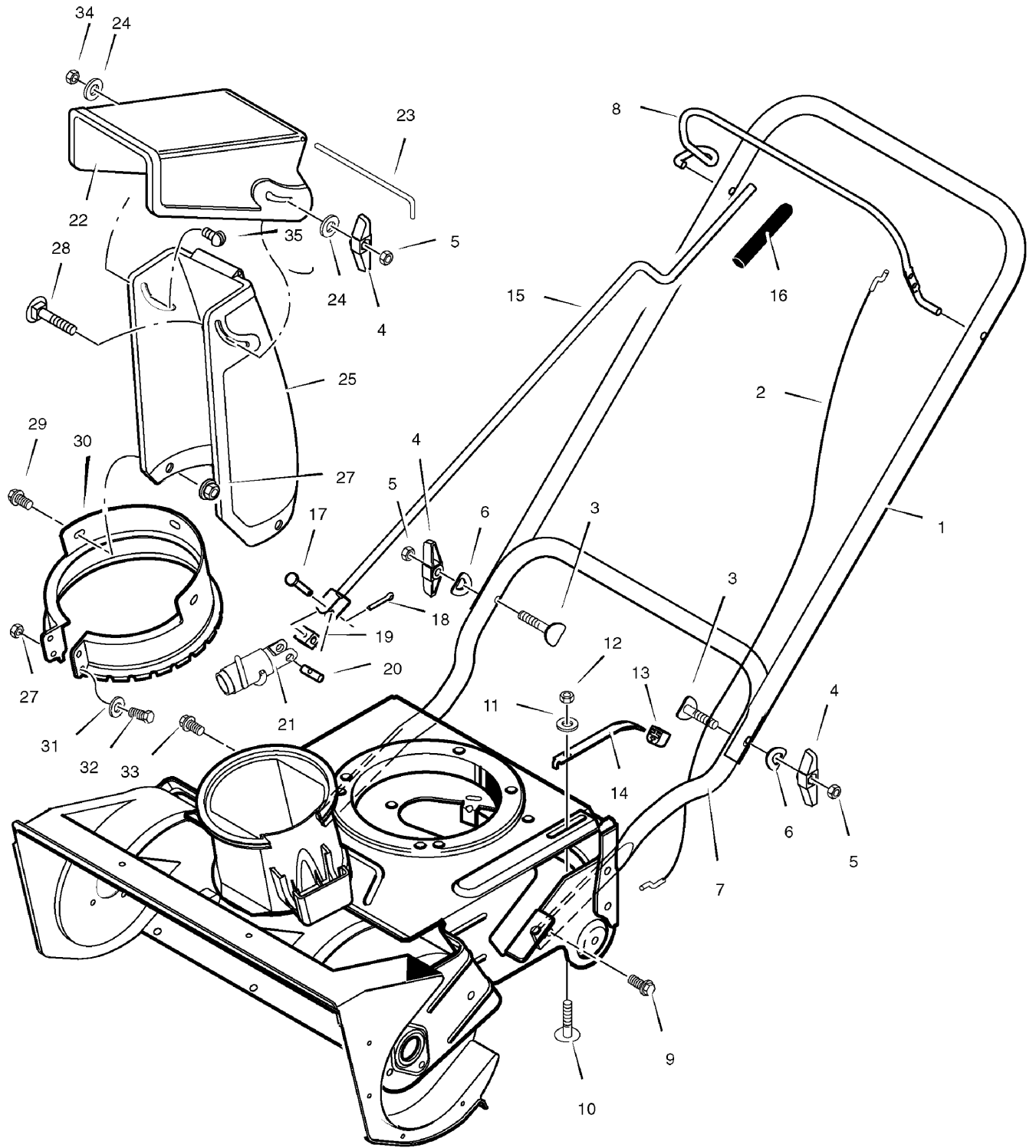
DRIVE (SB210, 961810001)



DRIVE (SB210, 961810001)

| REF NO | PART NO. | DESCRIPTION |
|---------------|---|-----------------------|
| 1 | 501 02 35-01 | Cover, Top |
| 2 | 501 02 65-01 | Screw |
| 3 | 501 02 37-01 | Base, Chute Rod |
| 4 | 501 02 64-01 | Screw |
| 5 | 501 02 38-01 | Cover, Chute Rod |
| 6 | 501 02 45-01 | Primerbulb, Red |
| 7 | 501 02 36-01 | Bracket, Engine Chute |
| 8 | 501 02 25-01 | Hose |
| 9 | 501 04 24-01 | Screw |
| 10 | 501 03 70-01 | Screw |
| 11 | 501 02 31-01 | Handle, Starter |
| 12 | Order Parts From Engine Manufacturer | Engine |
| 13 | 501 02 61-01 | Bolt |
| 14 | 501 03 68-01 | Retainer |
| 15 | 501 03 91-01 | Nut, Push Cap |
| 17 | 501 02 57-01 | Wheel & Tire |
| 18 | 501 03 88-01 | Washer |
| 19 | 501 04 14-01 | Axle |
| 20 | 501 03 90-01 | Nut |
| 21 | 501 02 49-01 | Frame, Motor Box |
| 22 | 501 03 37-01 | Bolt |
| 23 | 501 03 80-01 | Bolt |
| 24 | 501 03 94-01 | Bolt, Shoulder |
| 25 | 501 04 04-01 | Bracket, Idler Arm |
| 26 | 501 03 84-01 | Nut |
| 27 | 501 04 08-01 | Pulley, V-Belt |
| 28 | 501 04 09-01 | Bolt, Shoulder |
| 29 | 501 04 07-01 | Pulley, Flat Idler |
| 30 | 501 03 33-01 | Belt |
| 31 | 501 02 98-01 | Screw |
| 32 | 501 04 11-01 | Guide, Belt |
| 33 | 501 04 25-01 | Screw |
| 34 | 501 03 85-01 | Washer |
| 35 | 501 04 06-01 | Pulley |
| 36 | 501 02 53-01 | Spring |
| 37 | 501 02 63-01 | Screw |
| 38 | 501 04 19-01 | Arm, Brake |
| 39 | 501 04 17-01 | Clamp |
| 40 | 501 02 83-01 | Nut |
| 41 | 501 04 18-01 | Rod, Adjustment |
| 42 | 501 04 22-01 | Guide, Belt |
| 43 | 501 02 60-01 | Lockwasher |
| 44 | 501 02 46-01 | Guide, Rope |
| 45 | 501 02 68-01 | Washer |
| 46 | 501 02 47-01 | Seal, Foam |
| 47 | 501 02 51-01 | Guard, Muffler |

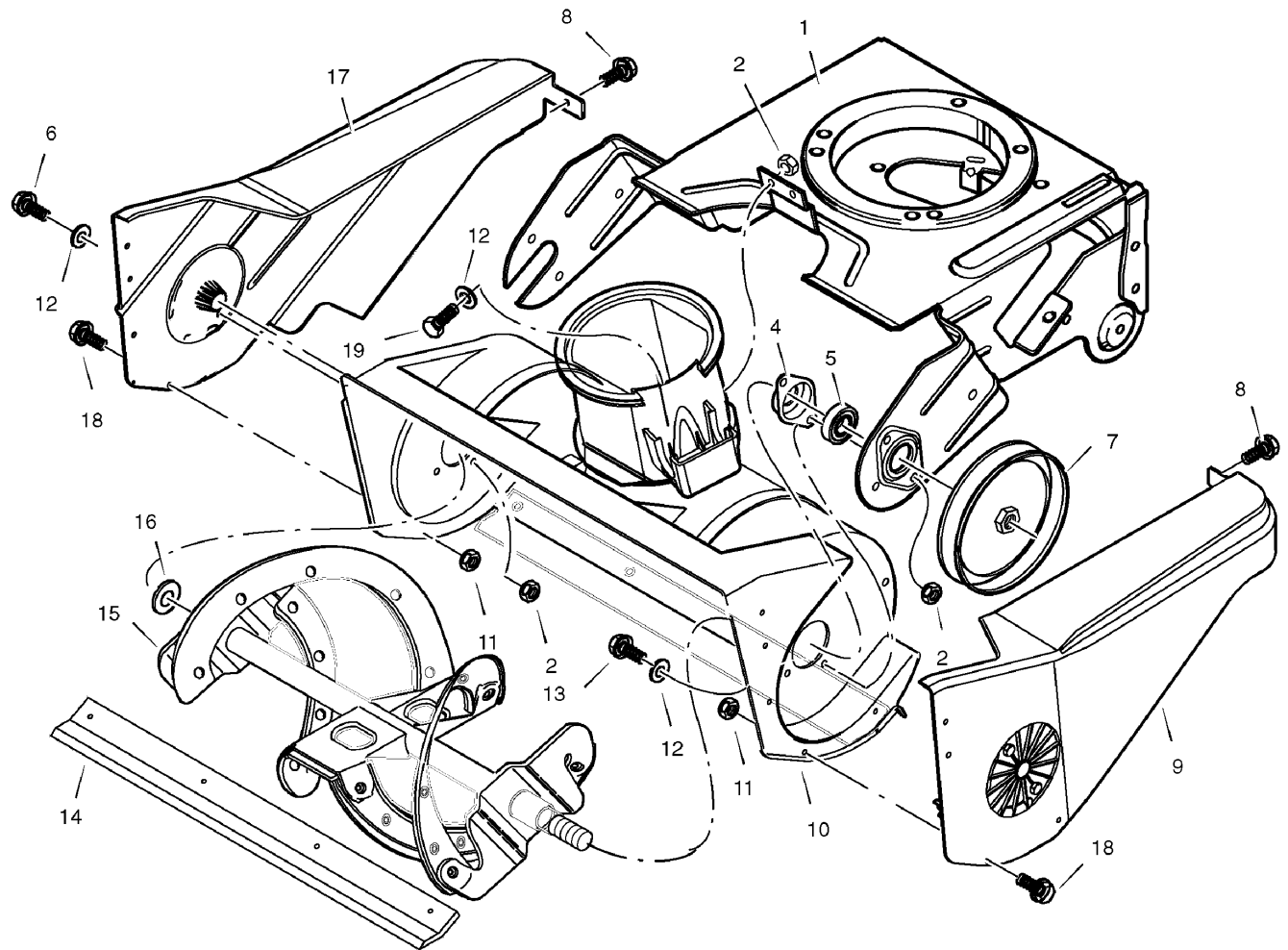
HANDLE & CONTROLS (SB210, 961810001)



HANDLE & CONTROLS (SB210, 961810001)

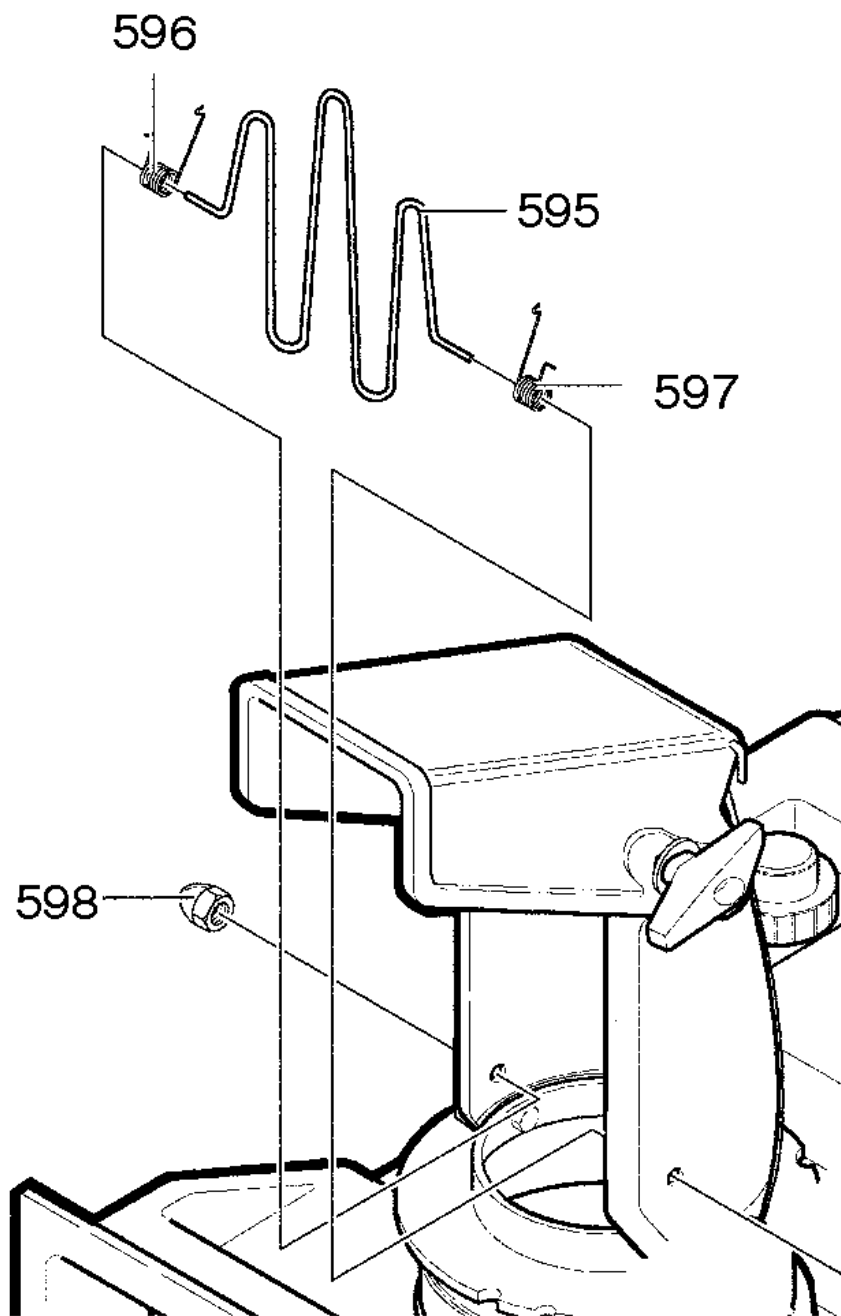
| REF NO | PART NO. | DESCRIPTION |
|---------------|-----------------|--------------------------|
| 1 | 501 04 03-01 | Handle, Upper |
| 2 | 501 04 10-01 | Cable, Auger Drive |
| 3 | 501 03 25-01 | Bolt |
| 4 | 501 03 58-01 | Knob |
| 5 | 501 03 83-01 | Nut |
| 6 | 501 02 82-01 | Washer |
| 7 | 501 04 00-01 | Handle, Lower |
| 8 | 501 04 02-01 | Lever, Auger Drive |
| 9 | 501 03 79-01 | Screw |
| 10 | 501 03 30-01 | Bolt |
| 11 | 501 03 93-01 | Washer |
| 12 | 501 04 23-01 | Nut |
| 13 | 501 04 15-01 | Bushing, Tensioner |
| 14 | 501 04 16-01 | Bracket, Cable Tensioner |
| 15 | 501 04 21-01 | Rod, Crank |
| 16 | 501 04 20-01 | Grip, Crank Rod |
| 17 | 501 03 69-01 | Pin, Clevis |
| 18 | 501 03 72-01 | Pin, Cotter |
| 19 | 501 03 65-01 | Block, Universal Pivot |
| 20 | 501 03 64-01 | Pin |
| 21 | 501 03 77-01 | Gear, Worm |
| 22 | 501 03 04-01 | Deflector |
| 23 | 501 02 77-01 | Pin, Pivot |
| 24 | 501 03 87-01 | Washer |
| 25 | 501 03 19-01 | Chute, Discharge |
| 27 | 501 02 52-01 | Nut |
| 28 | 501 02 73-01 | Bolt |
| 29 | 501 02 97-01 | Bolt |
| 30 | 501 02 39-01 | Ring, Chute |
| 31 | 501 03 86-01 | Washer |
| 32 | 501 02 71-01 | Bolt |
| 33 | 501 03 79-01 | Bolt |
| 34 | 501 03 95-01 | Locknut |
| 35 | 501 03 66-01 | Bolt |

AUGER HOUSING & IMPELLER (SB210, 961810001)



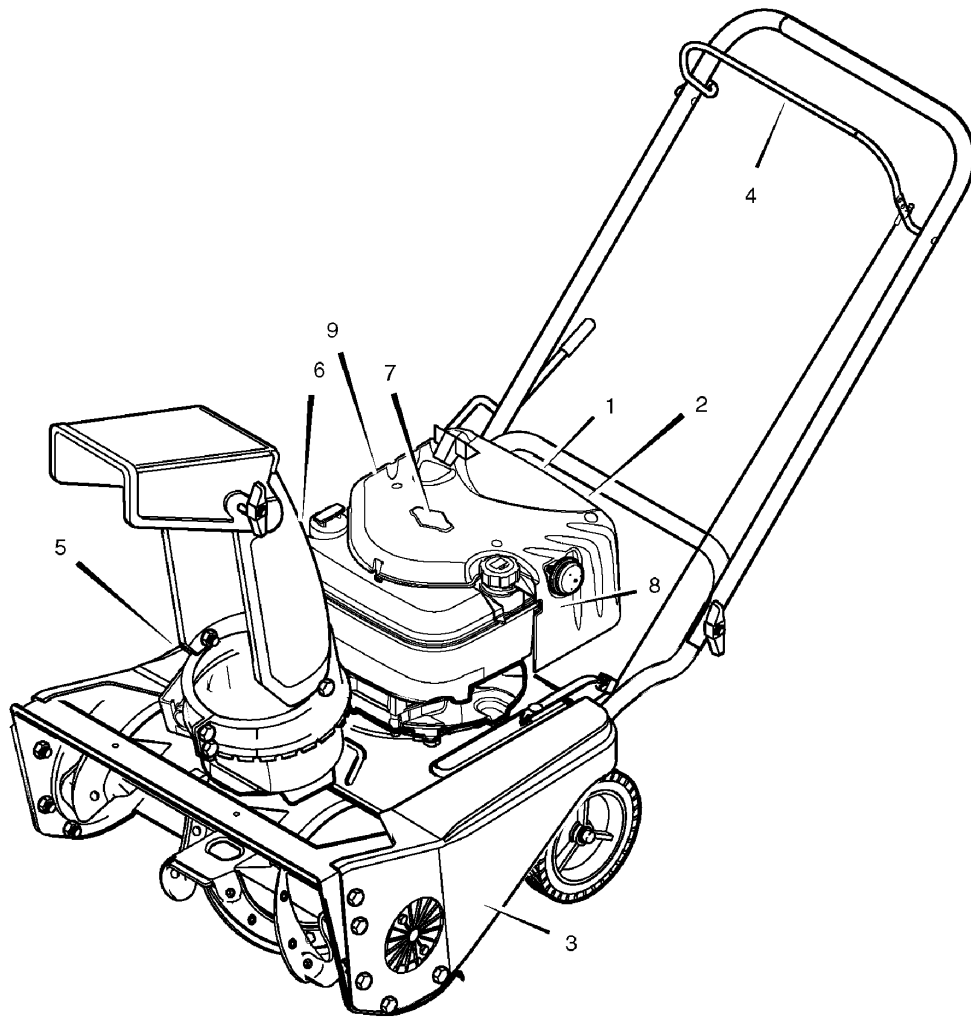
AUGER HOUSING & IMPELLER (SB210, 961810001)

| REF NO | PART NO. | DESCRIPTION |
|---------------|-----------------|-------------------------|
| 1 | 501 02 49-01 | Frame, Motor Box |
| 2 | 501 02 52-01 | Nut |
| 4 | 501 03 73-01 | Retainer, Bearing |
| 5 | 501 03 35-01 | Bearing |
| 6 | 501 02 71-01 | Bolt |
| 7 | 501 03 27-01 | Pulley, Auger |
| 8 | 501 02 63-01 | Screw |
| 9 | 501 04 12-01 | Cover, Left Belt |
| 10 | 501 02 48-01 | Assembly, Auger Housing |
| 11 | 501 02 83-01 | Nut |
| 12 | 501 03 86-01 | Washer |
| 13 | 501 03 71-01 | Bolt |
| 14 | 501 03 55-01 | Blade, Scraper |
| 15 | 501 03 05-01 | Auger Assembly |
| 16 | 501 03 74-01 | Washer |
| 17 | 501 04 13-01 | Cover, Right |
| 18 | 501 02 24-01 | Screw |
| 19 | 501 02 71-01 | Screw |



GUARDS (SB210, 961810001)

| REF NO | PART NO. | DESCRIPTION |
|---------------|-----------------|--------------------|
| 595 | 501 02 80-01 | Guard, Wire Chute |
| 596 | 501 03 53-01 | Spring Torsion |
| 597 | 501 03 54-01 | Spring, Torsion |
| 598 | 501 03 51-01 | Nut, Acorn |



DECALS (SB210, 961810001)

| REF NO | PART NO. | DESCRIPTION |
|---------------|-----------------|----------------------------------|
| 1 | 501 03 44-01 | Decal, 4hp / 21" |
| 2 | 501 03 45-01 | Decal, Choke CE |
| 3 | 501 03 40-01 | Decal, Belt Instruction (inside) |
| 4 | 501 03 49-01 | Decal, Auger Control Lever |
| 5 | 501 03 47-01 | Decal, Danger Auger CE (Foot) |
| 6 | 501 03 46-01 | Decal, Danger Chute CE (Hand) |
| 7 | 501 31 88-01 | Decal, Briggs & Stratton |
| 8 | 501 03 48-01 | Decal, Primer Bulb CE |
| 9 | 501 03 50-01 | Decal, Hot Surface CE |
