

REPAIR PARTS MANUAL
MODEL NUMBER SB927B
Snow Thrower

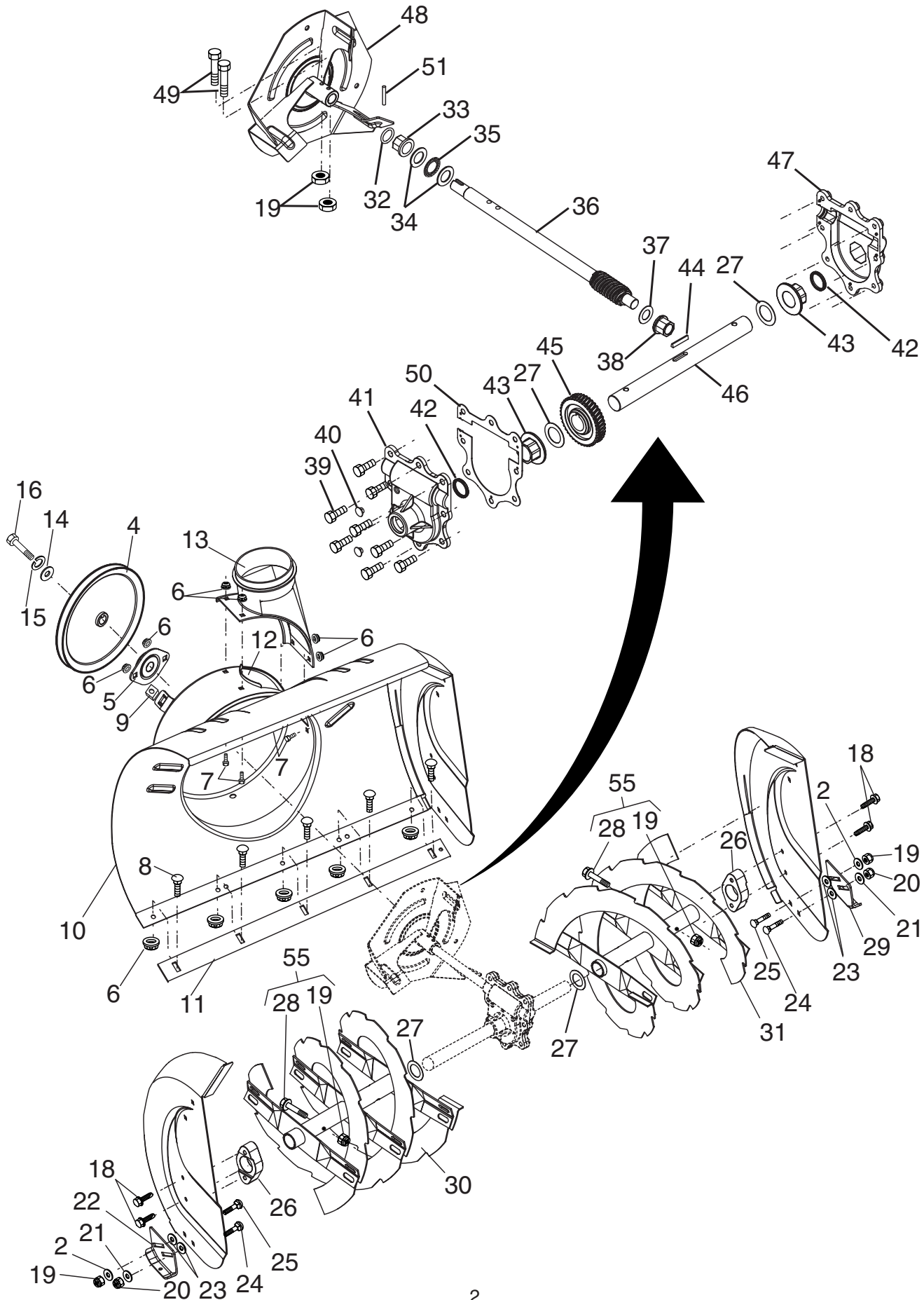


Electrolux

REPAIR PARTS

AUGER HOUSING / IMPELLER ASSEMBLY

SNOW THROWER -- MODEL NUMBER SB927B



REPAIR PARTS**AUGER HOUSING / IMPELLER ASSEMBLY
SNOW THROWER - - MODEL NUMBER SB927B**

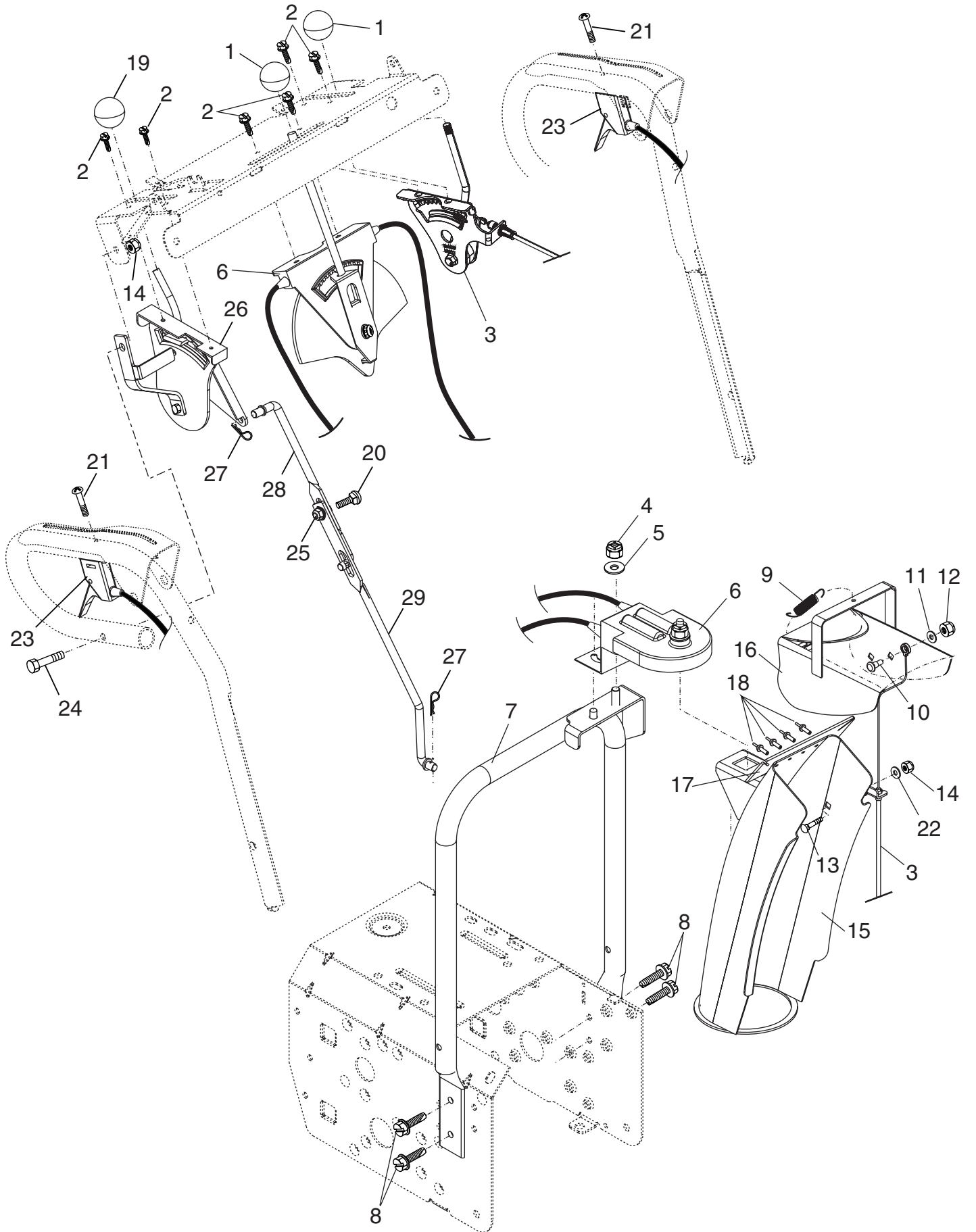
| KEY NO. | PART NO. | DESCRIPTION |
|---------|---------------------|---|
| 2 | 532 05 38-47 | Washer, Flat |
| 4 | 532 18 10-83 | Pulley, Impeller |
| 5 | 532 18 89-10 | Bearing Assembly, Flange |
| 6 | 532 15 53-77 | Nut, Hex Flange 5/16-18 |
| 7 | 532 18 03-55 | Bolt, Flat Head, Carriage 5/16-18 x 5/8 |
| 8 | 872 27 05-05 | Bolt, Carriage 5/16-1 8 x 5/8 |
| 9 | 532 17 88-20 | Nut, Cage 3/8-16 |
| 10 | 532 18 45-35 | Housing, Auger |
| 11 | 532 18 40-97 | Bar, Scraper |
| 12 | 532 18 40-95 | Bracket, Corner Discharge |
| 13 | 532 17 53-22 | Base, Discharge Chute |
| 14 | 819 11 15-07 | Washer, Flat |
| 15 | 810 04 05-00 | Washer, Lock 5/16 |
| 16 | 874 95 05-12 | Screw, Hex Head 5/16-18 x 3/4 |
| 18 | 532 17 95-82 | Screw, Hex Head 5/16 x 1 |
| 19 | 873 80 04-00 | Nut, Hex Lock 1/4-20 |
| 20 | 873 80 05-00 | Nut, Hex Lock 5/16-18 |
| 21 | 532 15 54-15 | Washer, Flat |
| 22 | 532 18 40-94 | Skid Plate, RH |
| 23 | 532 17 92-46 | Washer, Nylon, Friction |
| 24 | 872 27 05-06 | Bolt, Carriage 5/16-18 x 3/4 |
| 25 | 532 18 56-00 | Bolt, Shoulder |
| 26 | 532 17 46-58 | Bearing, Auger |
| 27 | 532 17 46-97 | Washer, Thrust, 1" |
| 28 | 532 18 74-94 | Bolt, Shear |
| 29 | 532 18 40-93 | Skid Plate, LH |
| 30 | 532 18 41-03 | Auger Assembly, RH |
| 31 | 532 18 41-00 | Auger Assembly, LH |
| 32 | 532 17 46-99 | O-Ring |
| 33 | 532 17 47-00 | Bushing, Flange 3/4 |
| 34 | 532 17 46-81 | Washer, Thrust 3/4 |
| 35 | 532 17 46-84 | Bearing, Thrust 3/4 |
| 36 | 532 17 46-60 | Shaft, Impeller |
| 37 | 532 17 46-83 | Washer, Thrust 5/8 |
| 38 | 532 17 46-86 | Bushing, Flange 5/8 |
| 39 | 532 15 00-78 | Screw, Hex Head 5/16-18 x 3/4 |
| 40 | 532 08 64-47 | Plug, Case |
| 41 | 532 17 46-88 | Housing, Gearbox, RH |
| 42 | 532 17 46-98 | Seal, Oil |
| 43 | 532 17 47-01 | Bushing, Flange, 1" |
| 44 | 532 17 88-79 | Key, Square 1/4 x 1/4 x 7/8 |
| 45 | 532 17 46-59 | Gear, Worm |
| 46 | 532 17 46-57 | Shaft, Auger |
| 47 | 532 17 46-87 | Housing, Gearbox, LH |
| 48 | 532 18 41-05 | Impeller Assembly |
| 49 | 874 78 04-26 | Screw, Hex Head 1/4-20 x 1-5/8 |
| 50 | 532 17 53-11 | Gasket, Gearbox |
| 51 | 532 18 42-05 | Pin, Roll 3/16 x 1-1/8 |
| 55 | 532 18 82-43 | Kit, Shear (Contains 6 each of Key Numbers 19 and 28) |

NOTE: All component dimensions given in U.S. inches
1 inch = 25.4 mm

REPAIR PARTS

CONTROL PANEL / DISCHARGE CHUTE

SNOW THROWER - - MODEL NUMBER SB927B



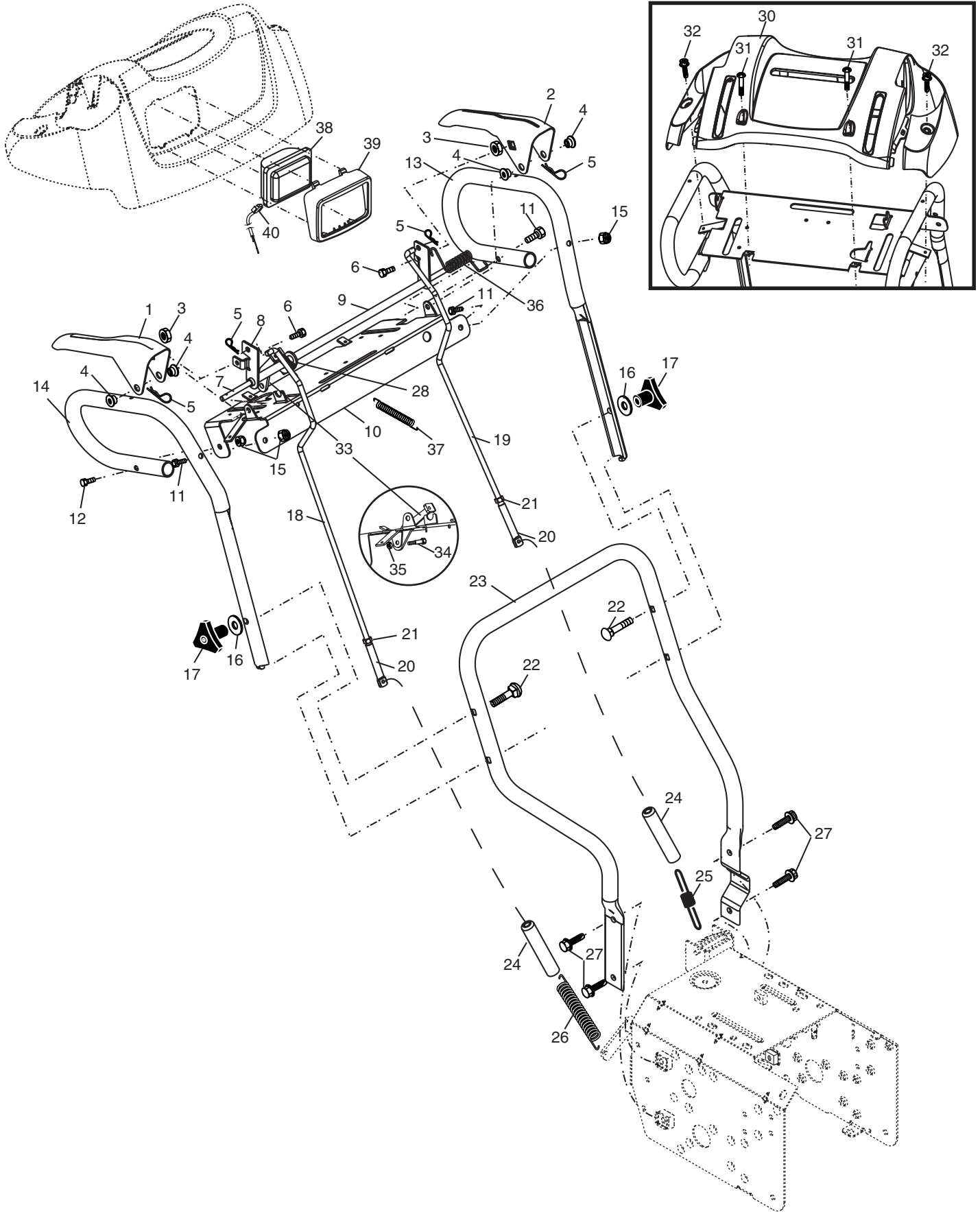
REPAIR PARTS

CONTROL PANEL / DISCHARGE CHUTE SNOW THROWER - - MODEL NUMBER SB927B

| KEY NO. | PART NO. | DESCRIPTION |
|---------|--------------|----------------------------------|
| 1 | 532 18 33-34 | Knob, Lever |
| 2 | 817 50 10-10 | Screw #10-24 x 5/8 |
| 3 | 532 17 86-74 | Control Assembly, Deflector |
| 4 | 873 80 06-00 | Nut, Lock 3/8-16 |
| 5 | 819 13 13-16 | Washer, Flat 3/8 |
| 6 | 532 17 86-59 | Control Assembly, Chute Rotater |
| 7 | 532 18 40-89 | Support, Pivot |
| 8 | 532 15 00-78 | Screw, Hex Head 5/16-18 x 3/4 |
| 9 | 532 18 45-05 | Spring, Deflector |
| 10 | 532 18 56-00 | Bolt, Shoulder |
| 11 | 532 05 38-47 | Washer, Flat 1/4 |
| 12 | 873 80 04-00 | Nut, Lock 1/4-20 |
| 13 | 872 25 05-05 | Bolt, Carriage 5/16-18 |
| 14 | 873 80 05-00 | Nut, Lock 5/16-18 |
| 15 | 532 18 45-33 | Chute Assembly |
| 16 | 532 18 45-34 | Deflector Assembly |
| 17 | 532 17 91-45 | Seal, Deflector |
| 18 | 532 12 84-15 | Rivet, Blind |
| 19 | 532 18 33-33 | Knob, Speed Control Lever |
| 20 | 872 27 05-06 | Bolt, Carriage 5/16-18 x 3/4 |
| 21 | 874 04 10-24 | Screw #10-24 x 1-1/2 |
| 22 | 532 15 54-15 | Washer, Flat |
| 23 | 532 17 91-56 | Control Assembly, Power Steering |
| 24 | 874 78 05-28 | Screw, Hex Head 5/16-18 x 1-3/4 |
| 25 | 532 15 53-77 | Nut, Lock 5/16-18 |
| 26 | 532 17 92-57 | Lever Assembly, Speed Control |
| 27 | 532 16 96-75 | Retainer, Hairpin |
| 28 | 532 18 04-45 | Rod, Upper, Speed Control |
| 29 | 532 18 77-16 | Rod, Lower, Speed Control |

NOTE: All component dimensions given in U.S. inches
1 inch = 25.4 mm

SNOW THROWER - - MODEL NUMBER SB927B

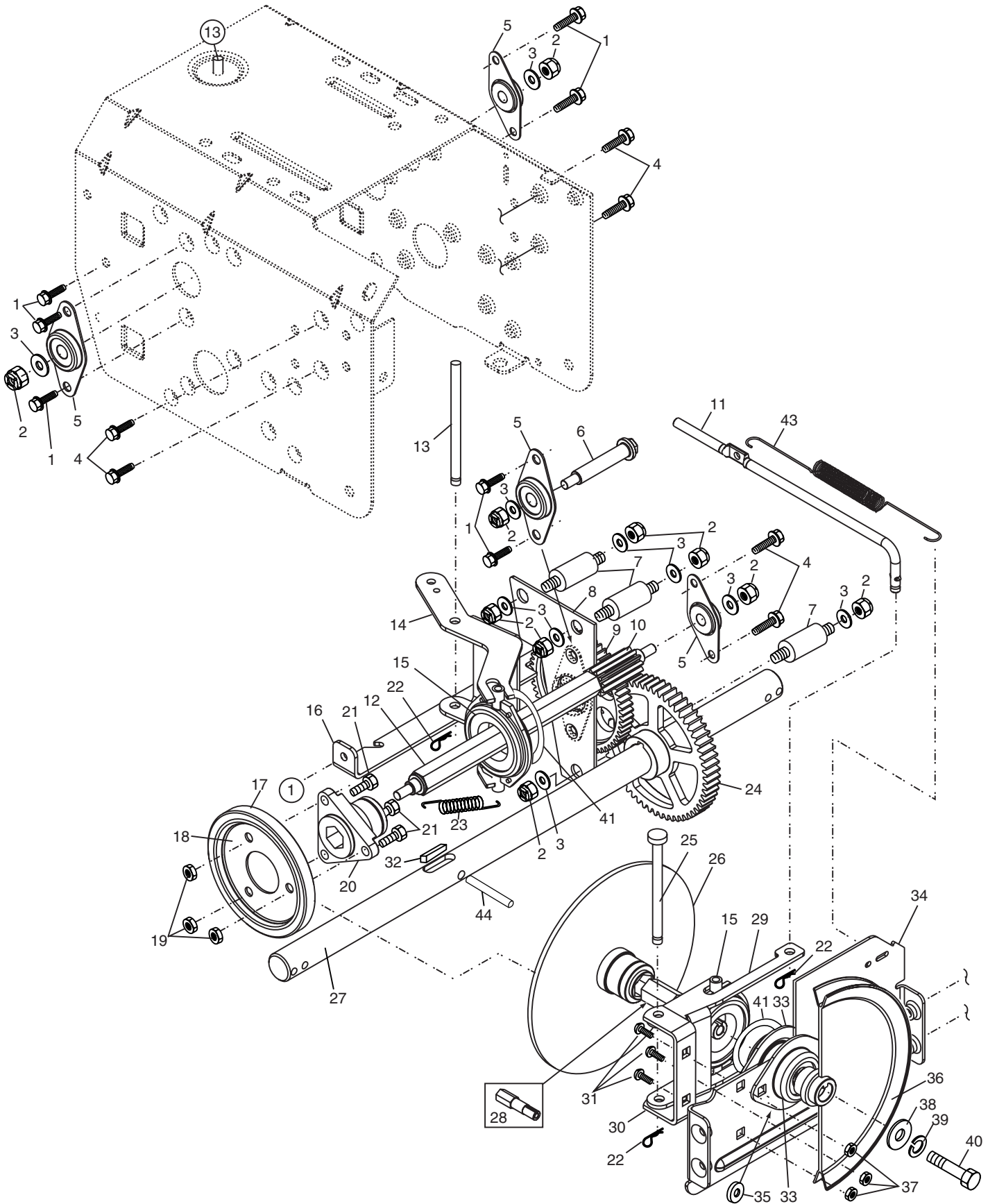


SNOW THROWER - - MODEL NUMBER SB927B

| KEY NO. | PART NO. | DESCRIPTION |
|---------|--------------|---|
| 1 | 532 18 41-10 | Lever, Auger Control, RH |
| 2 | 532 18 41-09 | Lever, Traction Drive Control, LH |
| 3 | 532 17 94-39 | Nut, Cage 1/4-20 |
| 4 | 532 17 88-88 | Bushing, Flange |
| 5 | 532 16 96-75 | Retainer, Hairpin |
| 6 | 532 18 04-02 | Screw, Hex Head 1/4-20 x 3/4 |
| 7 | 532 17 86-52 | Rod, Interlock |
| 8 | 532 18 40-03 | Tube Assembly, Interlock, RH |
| 9 | 532 17 86-51 | Tube Assembly, Interlock, LH |
| 10 | 532 18 41-06 | Panel, Control |
| 11 | 874 78 05-24 | Screw, Hex Head 5/16-18 x 1-1/2 |
| 12 | 874 78 05-28 | Screw, Hex Head 5/16-18 x 1-3/4 |
| 13 | 532 18 41-07 | Handle Tube, LH |
| 14 | 532 18 41-08 | Handle Tube, RH |
| 15 | 873 80 05-00 | Nut, Lock 5/16-18 |
| 16 | 819 13 13-16 | Washer, Flat 3/8 |
| 17 | 532 17 88-99 | Knob, Handle |
| 18 | 532 17 90-93 | Rod, Auger Control |
| 19 | 532 17 90-98 | Rod, Traction Control |
| 20 | 532 18 04-28 | End, Control Rod |
| 21 | 873 35 05-00 | Nut, Hex, Jam 5/16-18 |
| 22 | 872 12 06-18 | Bolt, Carriage 3/8-16 x 2-1/4 |
| 23 | 532 18 40-88 | Handle Tube, Lower |
| 24 | 532 18 04-47 | Sleeve, Spring |
| 25 | 532 18 09-26 | Spring, Traction Drive |
| 26 | 532 17 86-69 | Spring, Auger Control |
| 27 | 871 21 06-16 | Screw, Hex Head 3/8-16 x 1 |
| 28 | 532 18 04-94 | Clip, Panel |
| 30 | 532 18 29-06 | Console, Panel |
| 31 | 532 17 52-62 | Screw, Hex Head, Tapping #10-24 x 1-1/4 |
| 32 | 532 18 44-71 | Shoulder Bolt, Hex Head #10-24 x 1/16 |
| 33 | 532 18 41-11 | Latch, Interlock |
| 34 | 532 18 35-18 | Bolt, Shoulder |
| 35 | 532 06 80-38 | Nut, Lock 1/4-20 |
| 36 | 532 17 88-31 | Spring, Torsion |
| 37 | 532 17 86-58 | Spring, Interlock |
| 38 | 532 17 86-66 | Headlight, Halogen |
| 39 | 532 17 86-68 | Bezel, Headlight |
| 40 | 532 18 09-64 | Harness, Headlight (Halogen) |

NOTE: All component dimensions given in U.S. inches
1 inch = 25.4 mm

SNOW THROWER - - MODEL NUMBER SB927B



SNOW THROWER - - MODEL NUMBER SB927B

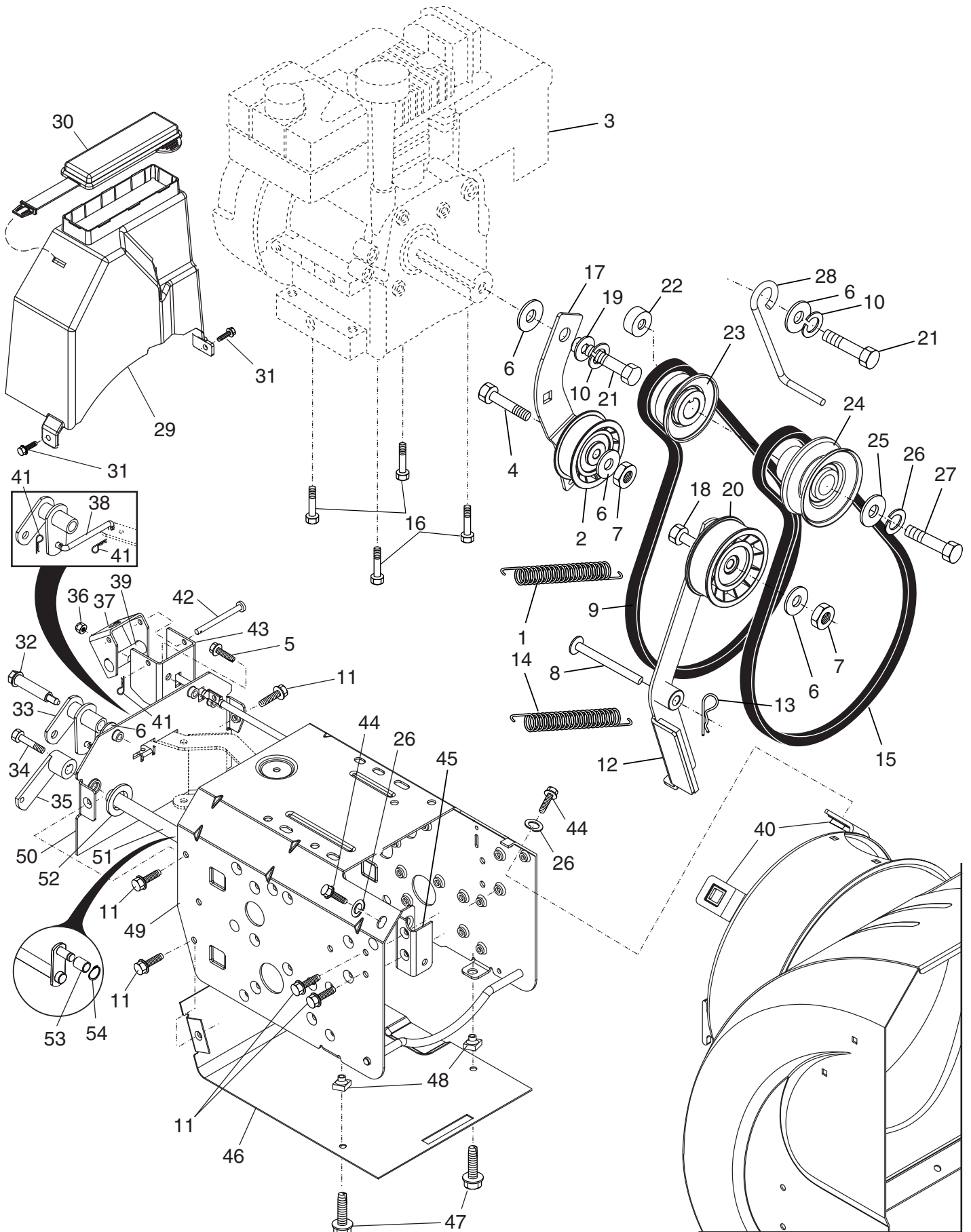
| KEY NO. | PART NO. | DESCRIPTION |
|---------|--------------|-------------------------------|
| 1 | 532 14 63-15 | Screw, Hex Head 5/16-18 x 5/8 |
| 2 | 873 80 05-00 | Nut, Lock 5/16-18 |
| 3 | 532 15 5415 | Washer, Flat |
| 4 | 817 49 05-08 | Screw, Hex Head 5/16-18 x 1/2 |
| 5 | 532 18 00-17 | Bearing, Flange |
| 6 | 532 18 01-34 | Shaft, Auxiliary |
| 7 | 532 17 92-70 | Spacer, Plate |
| 8 | 532 18 40-79 | Plate, Auxiliary |
| 9 | 532 18 00-82 | Gear, Intermediate (12/58) |
| 10 | 532 18 00-65 | Gear, Pinion |
| 11 | 532 18 77-14 | Rod, Clutch |
| 12 | 532 18 00-66 | Shaft, Long, Hex |
| 13 | 532 17 88-07 | Pin, Pivot |
| 14 | 532 18 40-80 | Lever, Shifter / Wheel |
| 15 | 532 17 53-44 | Trunnion Bearing Assembly |
| 16 | 532 18 78-57 | Bracket, Pivot, Shift |
| 17 | 532 17 98-31 | Ring, Rubber Wheel |
| 18 | 532 18 40-78 | Plate, Rubber Wheel |
| 19 | 873 93 05-00 | Nut, Lock 5/16-18 |
| 20 | 532 17 86-13 | Hub, Rubber Wheel |
| 21 | 874 76 05-14 | Screw, Hex Head 5/16-18 x 7/8 |
| 22 | 532 08 51-79 | Retainer, Hairpin |
| 23 | 532 18 01-35 | Spring, Bias |
| 24 | 532 18 00-81 | Gear, Axle (58 Teeth) |
| 25 | 532 17 86-95 | Pin, Pivot Lever |
| 26 | 532 17 53-41 | Plate Assembly, Drive |
| 27 | 532 17 86-21 | Shaft, Axle |
| 28 | 532 17 53-40 | Shaft, Short Hex |
| 29 | 532 18 40-77 | Lever, Shifter Plate |
| 30 | 532 18 40-76 | Bracket, Shifter Support |
| 31 | 872 27 05-05 | Bolt, Carriage 5/16-18 x 5/8 |
| 32 | 532 17 88-79 | Key, Square 1/4 x 1/4 x 7/8 |
| 33 | 532 17 53-23 | Bearing, Flange |
| 34 | 532 18 40-75 | Plate, Drive Mounting |
| 35 | 532 18 25-04 | Spacer, Bearing |
| 36 | 532 17 53-48 | Pulley, Traction Drive |
| 37 | 532 15 53-77 | Nut, Lock 5/16-18 |
| 38 | 819 11 15-07 | Washer, Flat |
| 39 | 810 04 05-00 | Washer, Lock 5/16 |
| 40 | 874 95 05-12 | Screw, Hex Head 5/16-18 x 3/4 |
| 41 | 812 00 00-12 | Ring, Retaining |
| 43 | 532 17 90-95 | Spring, Return |
| 44 | 532 18 42-06 | Pin, Roll |

NOTE: All component dimensions given in U.S. inches
1 inch = 25.4 mm

REPAIR PARTS

CHASSIS / ENGINE / PULLEYS

SNOW THROWER - - MODEL NUMBER SB927B

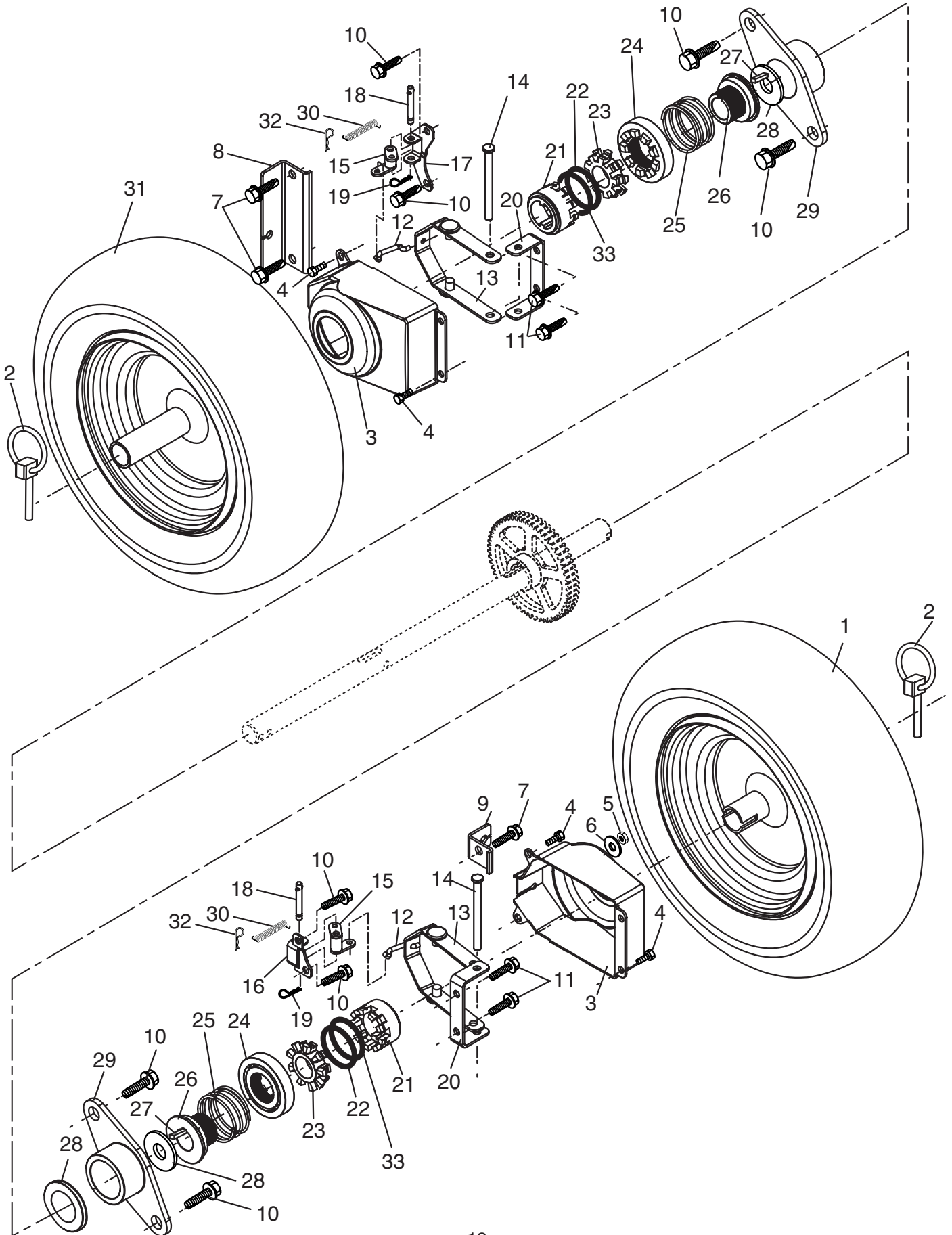


REPAIR PARTS**CHASSIS / ENGINE / PULLEYS****SNOW THROWER - - MODEL NUMBER SB927B**

| KEY NO. | PART NO. | DESCRIPTION |
|---------|---------------------|---|
| 1 | 532 18 10-44 | Spring, Traction Idler |
| 2 | 532 18 05-22 | Pulley, Idler (2-1/4) |
| 3 | - - - | Engine, Tecumseh, Model Number OHSK90 (Order parts from Engine manufacturer) |
| 4 | 874 78 05-20 | Screw, Hex Head 5/16-18 x 1-1/4 |
| 5 | 532 15 00-78 | Screw, Hex Washer Head 5/16-18 x 3/4 |
| 6 | 532 05 92-89 | Washer, Flat |
| 7 | 873 93 05-00 | Nut, Jam, Lock 5/16-18 |
| 8 | 532 17 53-30 | Pin, Idler Pivot |
| 9 | 532 17 90-92 | V-Belt, Traction Drive |
| 10 | 810 04 05-00 | Washer, Lock 5/16 |
| 11 | 817 49 05-08 | Screw, Hex Head 5/16-18 x 1/2 |
| 12 | 532 17 92-59 | Impeller Idler Arm Assembly |
| 13 | 532 08 51-79 | Retainer, Hairpin |
| 14 | 532 17 88-28 | Spring, Brake |
| 15 | 532 18 35-33 | V-Belt, Impeller Drive |
| 16 | 532 15 04-06 | Screw, Hex Head 3/8-16 x 1-1/4 |
| 17 | 532 18 48-04 | Arm, Idler |
| 18 | 874 78 05-24 | Screw, Hex Head 5/16-18 x 1-1/2 |
| 19 | 532 17 53-31 | Bushing, Idler Pivot |
| 20 | 532 18 05-23 | Pulley, Idler (2-3/4) |
| 21 | 874 61 05-16 | Screw, Hex Head 5/16-24 x 1 |
| 22 | 532 17 93-71 | Spacer, Engine Pulley |
| 23 | 532 18 04-78 | Pulley, Engine, Traction Drive |
| 24 | 532 17 91-57 | Pulley, Engine, Impeller Drive |
| 25 | 532 06 27-35 | Washer, Flat 3/8 |
| 26 | 532 85 02-63 | Washer, Lock 3/8 |
| 27 | 532 85 10-84 | Screw, Hex Head 3/8-24 x 1-3/8 |
| 28 | 532 15 54-52 | Guide, Belt |
| 29 | 532 18 04-65 | Cover, Belt |
| 30 | 532 17 88-30 | Cover, Toolbox |
| 31 | 817 49 04-08 | Screw, Hex Head 1/4-20 x 1/2 |
| 32 | 532 17 92-56 | Bolt, Shoulder 5/16-18 |
| 33 | 532 18 78-53 | Bellcrank Shifter |
| 34 | 532 18 04-01 | Screw, Hex Head 1/4-28 x 3/4 |
| 35 | 532 17 92-40 | Arm, Auger Control |
| 36 | 873 80 05-00 | Nut, Lock 5/16-18 |
| 37 | 532 18 40-86 | Bellcrank Assembly |
| 38 | 532 18 71-01 | Link, Speed Control |
| 39 | 532 17 90-64 | Trunnion, Clutch |
| 40 | 532 17 88-90 | Nut, Cage 3/8-16 |
| 41 | 532 70 02-79 | Hairpin, Cotter 3/32 x 1/2 |
| 42 | 532 17 90-65 | Pin, Bellcrank |
| 43 | 532 18 40-85 | Bracket, Bellcrank |
| 44 | 874 78 06-24 | Screw, Hex Head 3/8-16 x 1-1/2 |
| 45 | 532 18 40-74 | Pivot Bracket, Impeller Idler Arm |
| 46 | 532 18 40-84 | Pan, Frame Bottom |
| 47 | 871 02 05-12 | Screw, Hex Head 5/16-18 x 3/4 |
| 48 | 532 18 11-56 | Nut, Speed 5/16-18 |
| 49 | 532 18 45-30 | Frame Assembly |
| 50 | 532 18 83-70 | Plate, Frame End |
| 51 | 532 18 40-82 | Shaft, Auger Control |
| 52 | 532 05 70-79 | Washer, Hardened |
| 53 | 532 17 90-62 | Roller |
| 54 | 812 00 00-10 | Ring, Retaining |

NOTE: All component dimensions given in U.S. inches. 1 inch = 25.4 mm

SNOW THROWER -- MODEL NUMBER SB927B

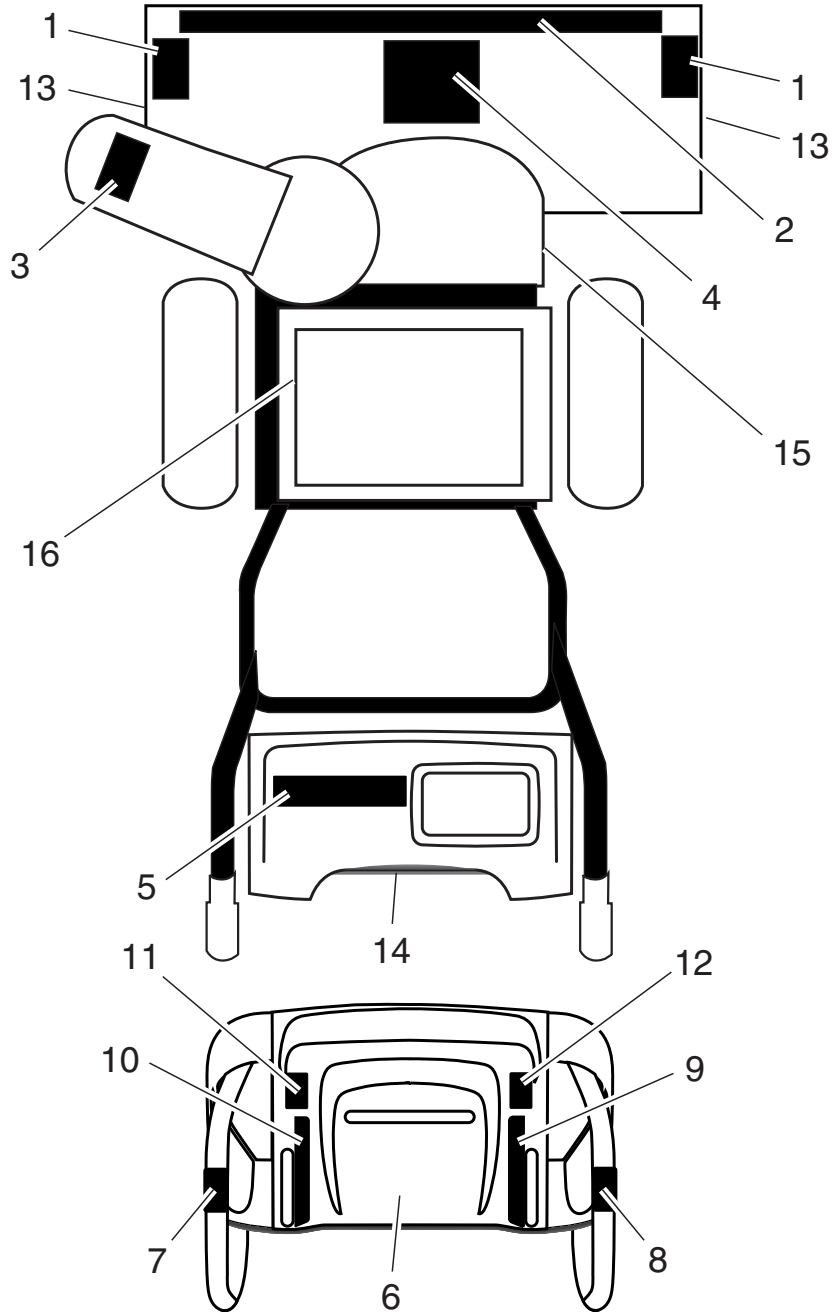


SNOW THROWER - - MODEL NUMBER SB927B

| KEY NO. | PART NO. | DESCRIPTION |
|---------|--------------|---|
| 1 | 532 18 78-32 | Wheel Assembly, 16", Power Steering, LH |
| 2 | 532 15 54-43 | Pin, Klik 1/4 |
| 3 | 532 18 18-43 | Cover, Power Steering |
| 4 | 532 18 44-71 | Shoulder Bolt, Hex Head #10-24 x 1/16 |
| 5 | 873 80 05-00 | Nut, Lock 5/16-18 |
| 6 | 532 15 54-15 | Washer, Flat 5/16 |
| 7 | 871 21 06-16 | Screw, Hex Head 3/8-16 x 1 |
| 8 | 532 18 78-59 | Bracket, Steer Cable RH |
| 9 | 532 18 78-58 | Bracket, Steer Cable LH |
| 10 | 532 14 63-15 | Screw, Hex Head 5/16-18 x 5/8 |
| 11 | 817 49 05-08 | Screw, Hex Head 5/16-18 x 1/2 |
| 12 | 532 18 43-93 | Link, Steering Lever |
| 13 | 532 18 78-60 | Yoke, Steering |
| 14 | 532 18 20-15 | Pin, Steering Lever |
| 15 | 532 18 43-61 | Bellcrank Assembly |
| 16 | 532 18 19-82 | Bracket Assembly, LH Steering |
| 17 | 532 18 20-63 | Bracket Assembly, RH Steering |
| 18 | 532 18 18-47 | Pin, Steering Bellcrank |
| 19 | 532 08 51-79 | Retainer, Hairpin |
| 20 | 532 18 41-97 | Bracket, Lever Assembly |
| 21 | 532 17 91-41 | Driver, Wheel |
| 22 | 532 18 24-66 | Ring, Wire Retainer |
| 23 | 532 17 91-36 | Lobe, Wheel |
| 24 | 532 17 91-38 | Slide, Clutch |
| 25 | 532 17 91-39 | Spring, Clutch Slide |
| 26 | 532 17 91-37 | Lobe, Axle |
| 27 | 532 17 88-79 | Key, Square 1/4 |
| 28 | 532 17 46-97 | Washer, Thrust 1" |
| 29 | 532 17 98-30 | Bearing, Axle |
| 30 | 532 18 44-53 | Spring, Return |
| 31 | 532 18 78-64 | Wheel Assembly, 16", Power Steering, RH |
| 32 | 532 70 02-79 | Clip, Retainer |
| 33 | 812 00 00-45 | Ring, Retaining |

NOTE: All component dimensions given in U.S. inches
1 inch = 25.4 mm

SNOW THROWER - - MODEL NUMBER SB927B



SNOW THROWER - - MODEL NUMBER SB927B

| KEY NO. | PART NO. | DESCRIPTION |
|---------|--------------|-----------------------------------|
| 1 | 532 18 40-26 | Decal, Danger |
| 2 | 532 18 79-78 | Decal, Rally (large) |
| 3 | 532 18 40-27 | Decal, Danger, Deflector |
| 4 | 532 18 40-45 | Decal, Danger |
| 5 | 532 18 38-72 | Decal, Rally (small) |
| 6 | 532 18 40-30 | Decal, Instruction |
| 7 | 532 18 40-36 | Decal, Traction Lever |
| 8 | 532 18 40-35 | Decal, Auger Lever |
| 9 | 532 18 40-32 | Decal, Speed Control |
| 10 | 532 18 40-31 | Decal, Remote Deflector |
| 11 | 532 18 39-07 | Decal, LH Trigger |
| 12 | 532 18 39-05 | Decal, RH Trigger |
| 13 | 532 18 41-24 | Decal, Height Adjustment |
| 14 | 532 18 04-33 | Decal, Sound Level |
| 15 | 532 18 40-28 | Decal, Belt Guard |
| 16 | 532 18 40-37 | Decal, Fuel Shut-Off |
| -- | 532 18 42-84 | Operator's Manual, European |
| -- | 532 18 42-86 | Operator's Manual, Scandinavian |
| -- | 532 18 42-89 | Operator's Manual, East Bloc Euro |
| -- | 532 18 79-03 | Repair Parts Manual, English |

NOTE: All component dimensions given in U.S. inches
1 inch = 25.4 mm

 **Electrolux**