

ILLUSTRATED PARTS BREAKDOWN

PARTNER

11.5 HP 36" LAWN RIDER

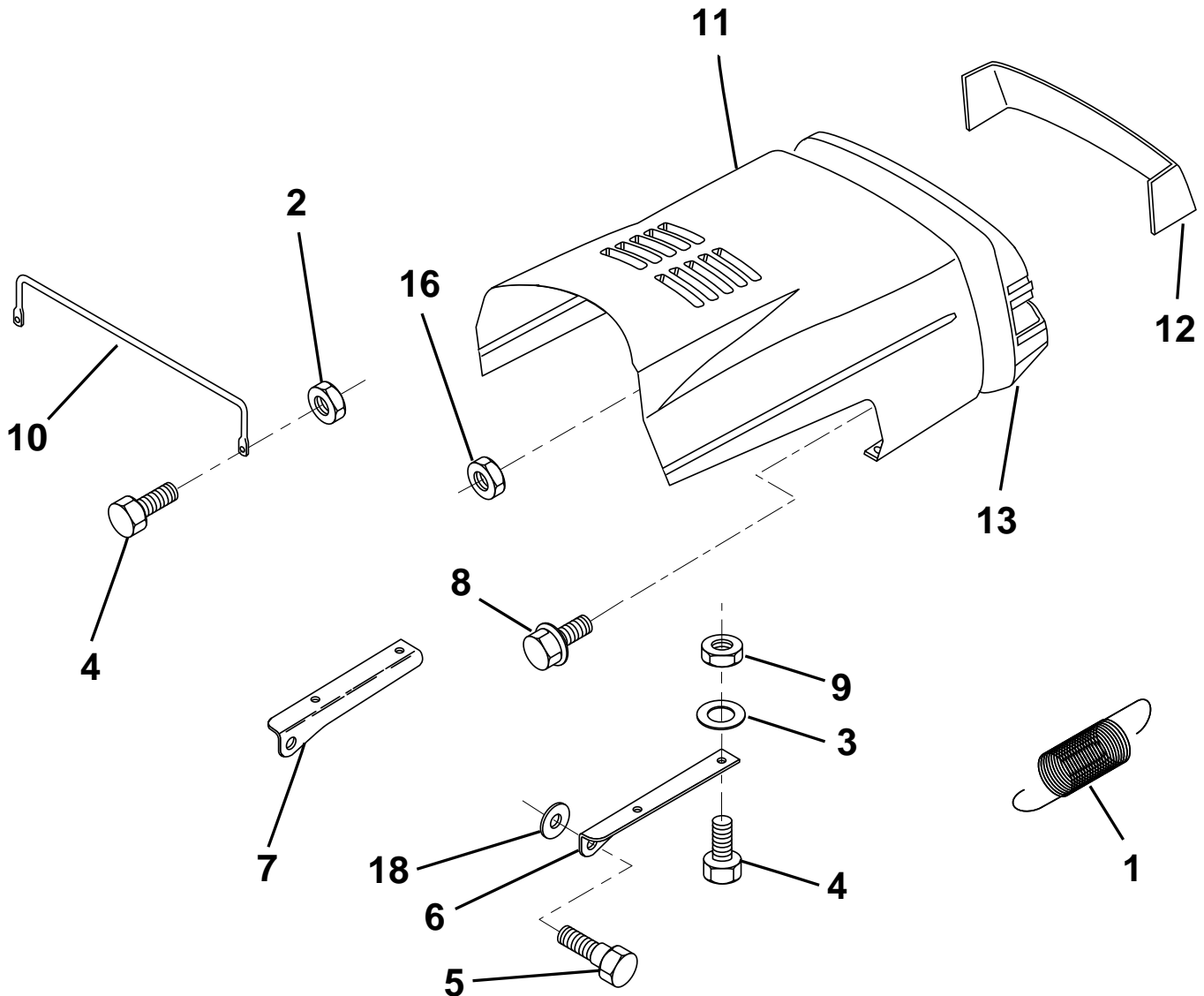
MODEL NO. P115B (P115TC90C)

954 12 00-22

REPAIR PARTS

TRACTOR -- MODEL NUMBER P115B (P115TC90C)

HOOD



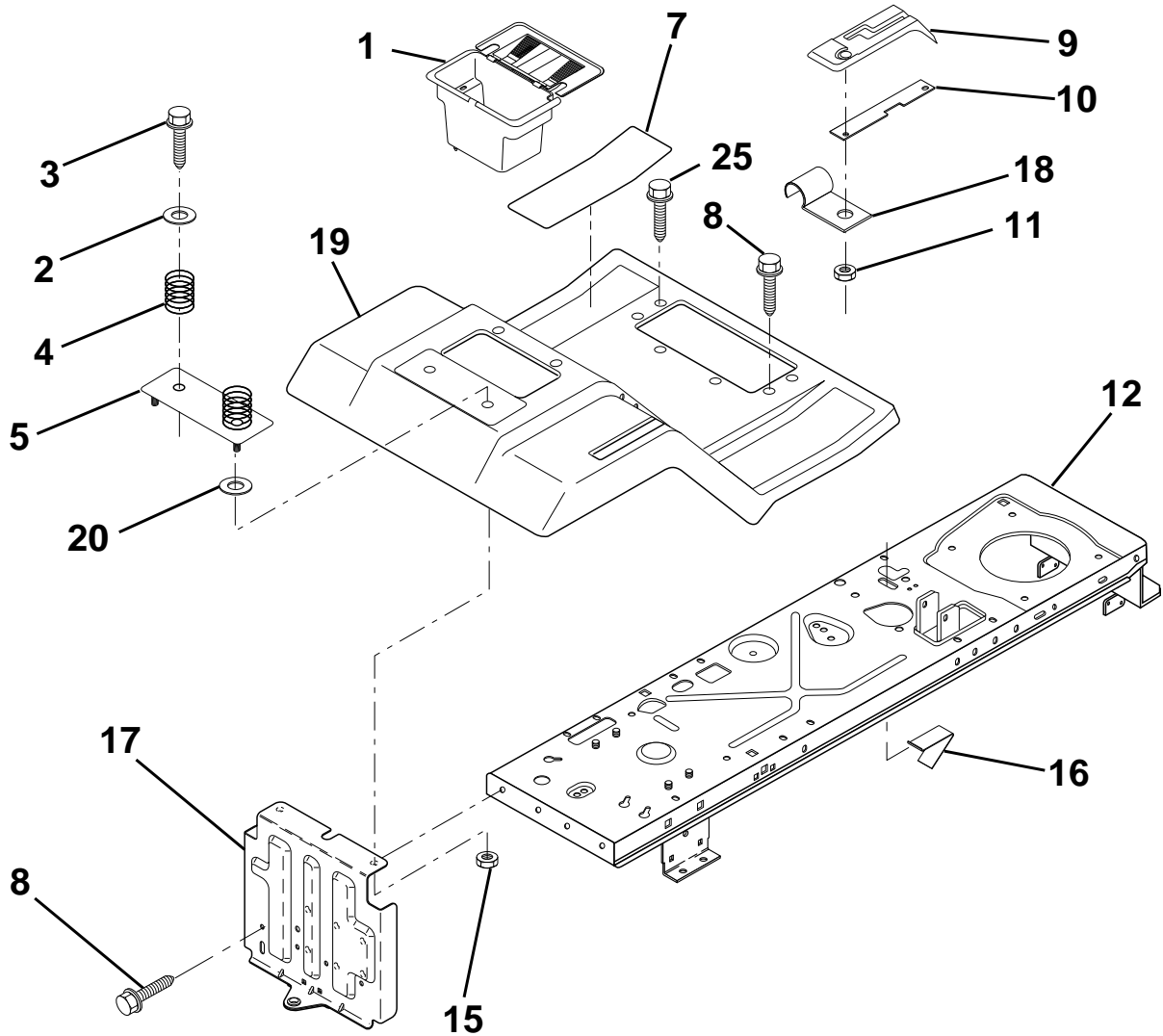
KEY NO.	PART NO.	DESCRIPTION	KEY NO.	PART NO.	DESCRIPTION
1	532124657	Extension, Spring	9	873800400	Nut Lock w/Insert 1/4-20 UNC
2	873510400	Nut, Hex, Keps 1/4-20	10	532123693	Brace, Hood
3	819091416	Washer, 9/32 x 7/8 x 16 Ga.	11	532144343	Hood
4	874780412	Bolt, Hex Fin. 1/4-20 x 3/4 Gr. 5	12	532140126	Lens, Plate, Grill
5	532139888	Bolt, Shoulder	13	532140110	Grille
6	532122549	Bracket, Hood R. H.	16	532124346	Nut, Self Thread, Washer Head 1/4
7	532122548	Bracket, Hood L.H.	18	819111116	Washer 11/32 x 11/16 x 16 Ga.
8	817521312	Screw Sstd. Hex Hd. w/PL Washer			

HARDWARE SHOWN LARGER FOR EASIER IDENTIFICATION

REPAIR PARTS

TRACTOR - - MODEL NUMBER P115B (P115TC90C)

FENDER / CHASSIS



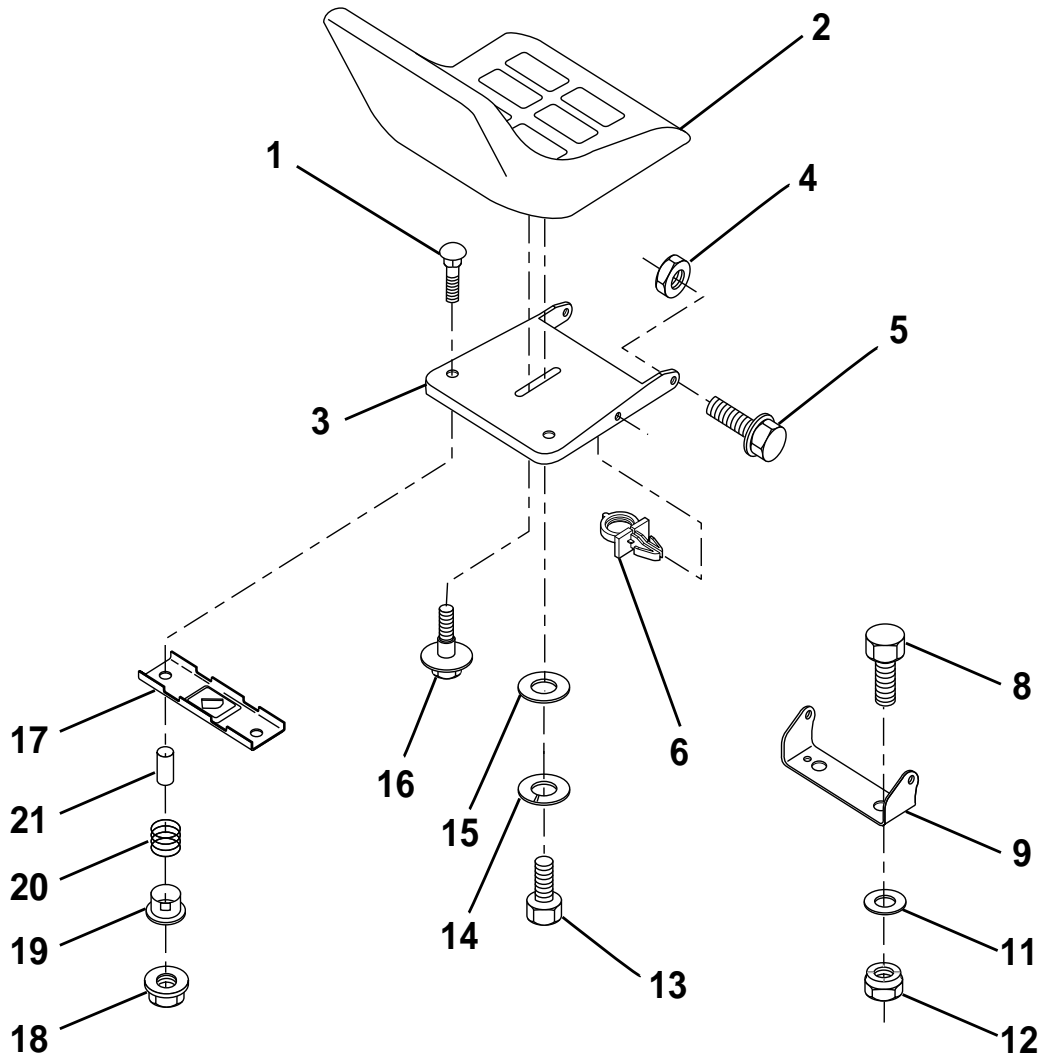
KEY NO.	PART NO.	DESCRIPTION	KEY NO.	PART NO.	DESCRIPTION
1	532156417	Case, Battery	11	532124346	Nut, Self-Threading, Washer Head 3/16
2	819132012	Washer 13/32 x 1-1/4 x 12 Ga.	12	532145190	Assembly, Frame
3	817490612	Screw, Hex Wsh. Thrdrol. 3/8-16 x 3/4	15	873640400	Nut Keps Blk Hex 1/4-20 Unc
4	532124181	Spring, Compression, Seat	16	532141736	Switch Actuator
5	532125139	Plate, Asm. Battery	17	532140782	Drawbar
7	532124144	Pad, Footrest	18	532126470	Clip, Insulated
8	817490512	Screw, Hex Wsh. Thrdrol. 5/16-18 x 3/4	19	532141266	Fender/Footrest
9	532126997	Console, Shift Control	20	819091413	Washer 9/32 x 7/8 x 13 Ga.
10	532139783	Bar, Shift Lock	25	817190516	Screw, Hex S.T. Thdr. 5/16-18 x 1

HARDWARE SHOWN LARGER FOR EASIER IDENTIFICATION

REPAIR PARTS

TRACTOR - - MODEL NUMBER P115B (P115TC90C)

SEAT



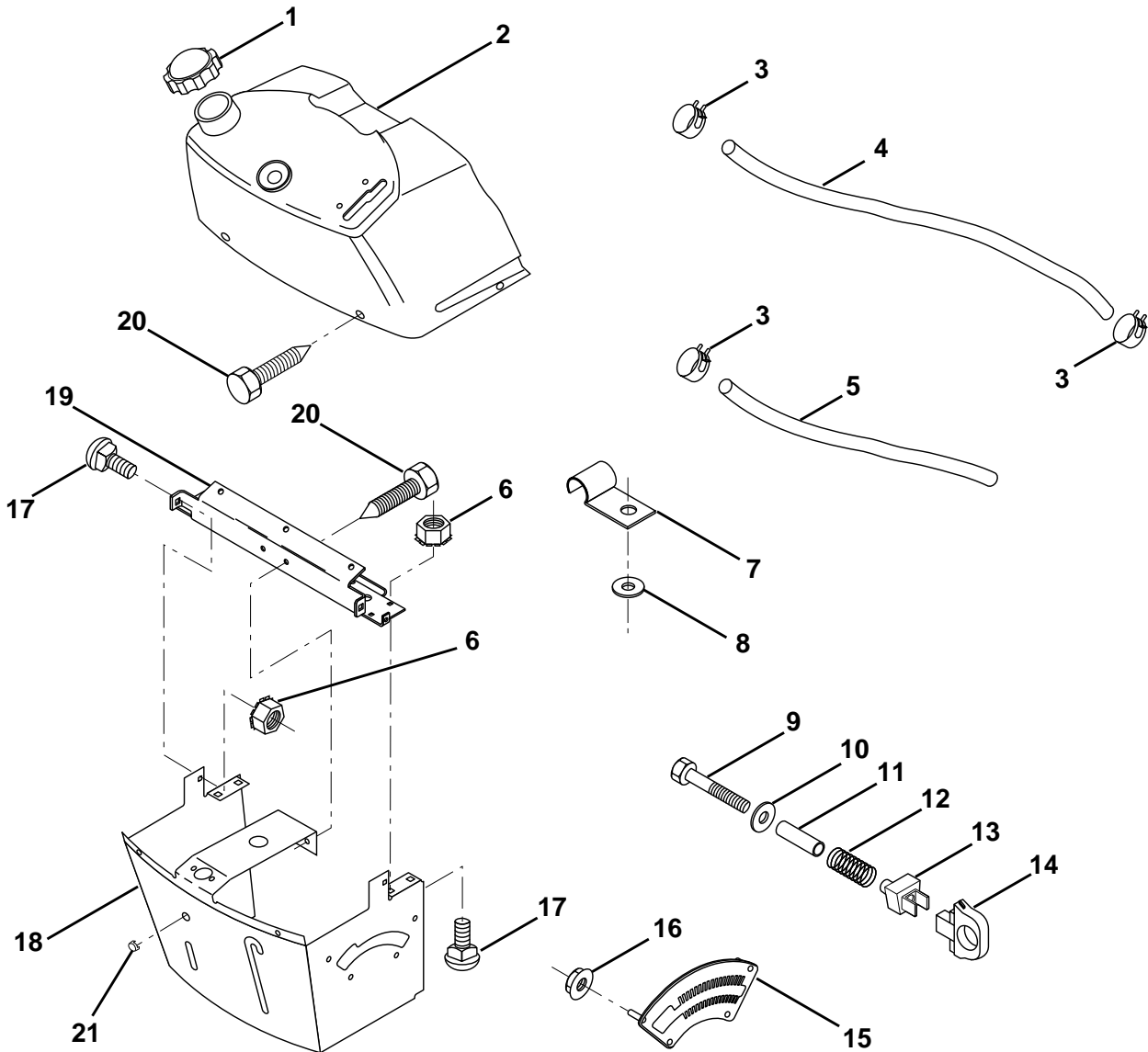
KEY NO.	PART NO.	DESCRIPTION	KEY NO.	PART NO.	DESCRIPTION
1	872050412	Bolt, Carriage 1/4-20 x 1-1/2	13	874780814	Bolt, Fin Hex 1/2-13 UNC x 7/8 Gr. 5
2	532140116	Seat	14	810040800	Washer, Lock Hvy Helical Spring
3	532155925	Pan, Seat	15	819171912	Washer, 17/32 x 1-3/16 x 12 Ga.
4	873800500	Nut, Crownlock 5/16-18	16	532127018	Bolt, Shoulder
5	532153236	Bolt, Shoulder 5/16-18 UNC	17	532121246	Bracket, Switch, Mounting
6	532145006	Clip, Push-In	18	532123976	Nut, Hex Large Flange Lock
8	874760616	Bolt, Fin Hex 3/8-16 UNC x 1	19	532121248	Bushing, Snap
9	532140551	Bracket, Pivot Seat	20	532121250	Spring, Compression
11	819133210	Washer 12/32 x 2 x 10 Ga.	21	532134300	Spacer, Split 28 Id. x .88 Lg.
12	873800600	Nut, Crownlock 3/8-16 UNC			

HARDWARE SHOWN LARGER FOR EASIER IDENTIFICATION

REPAIR PARTS

TRACTOR - - MODEL NUMBER P115B (P115TC90C)

DASH



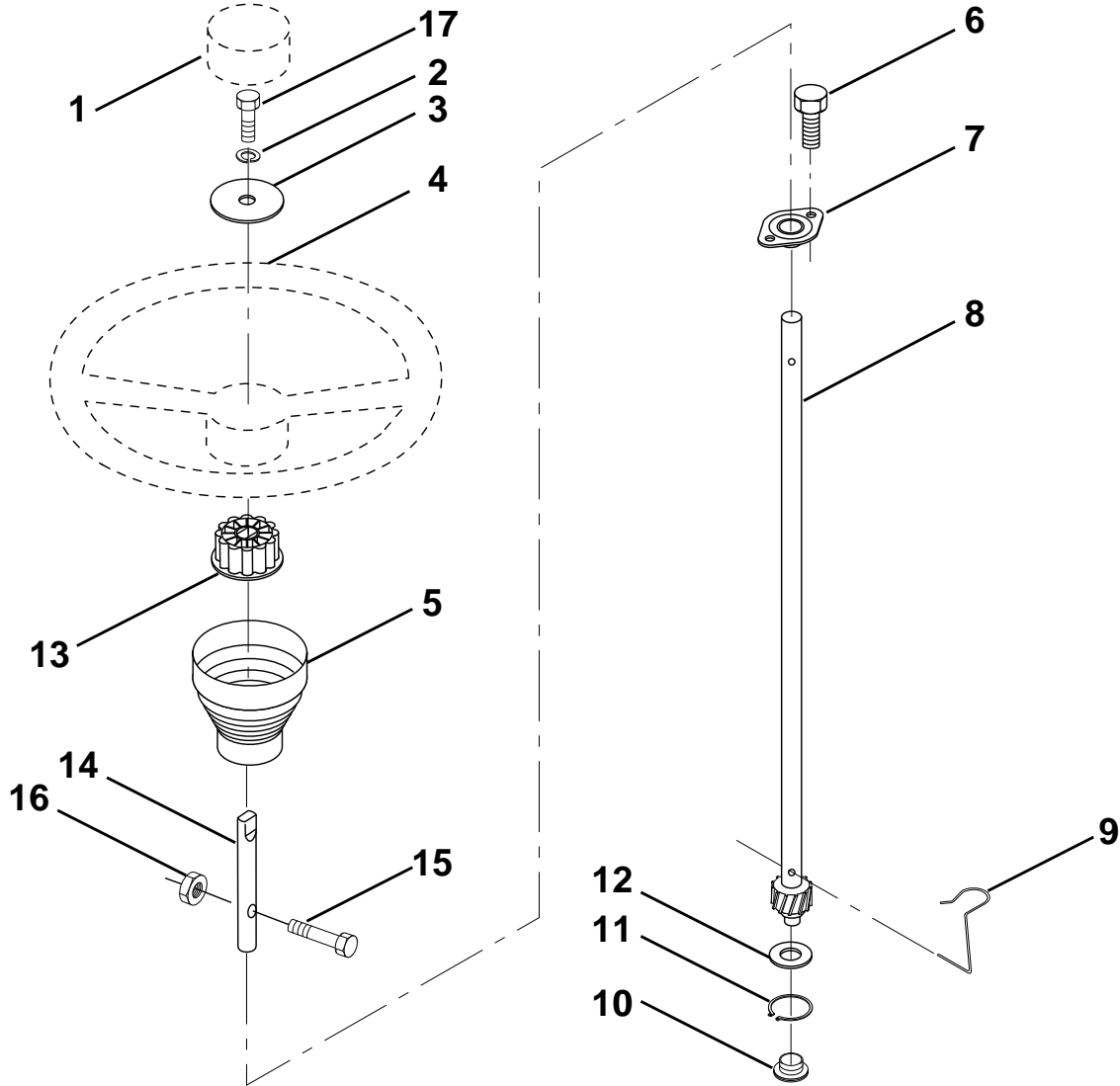
KEY NO.	PART NO.	DESCRIPTION	KEY NO.	PART NO.	DESCRIPTION
1	532141523	Cap, Fuel	12	532003720	Spring
2	532138393	Assembly, Dash & Fuel Tank	13	532126450	Clip, Height Adjustment
3	532123487	Clamp, Hose	14	532126115	Knob, Height Stop
4	532008544	Line, Fuel	15	532122023	Adjustment, Quadrant Height
5	532008548	Line, Fuel	16	532124346	Nut, Self-Threading 3/16-18
6	873640400	Nut, Hex, Keps 1/4-20	17	872110404	Bolt, Carriage 1/4-20 x 1/2 Gr. 5
7	532124996	Clip, Fuel Line	18	532130745	Support Assembly, Dash
8	819091216	Washer 9/32 x 3/4 x 16 Ga.	19	532134744	Brace, Cross
9	874760428	Bolt, Hex, Fin 1/4-20 x 1-3/4	20	817060408	Screw, Self-Tapping 1/4-20 x 1/2
10	819091413	Washer 11/32 x 11/16 x 16 Ga.	21	532134014	Plug, Dome
11	532121249	Spacer, Split			

HARDWARE SHOWN LARGER FOR EASIER IDENTIFICATION

REPAIR PARTS

TRACTOR - - MODEL NUMBER P115B (P115TC90C)

STEERING WHEEL



KEY NO.	PART NO.	DESCRIPTION
1	532140175	Insert, Wheel, Steering
2	810040600	Washer, Lock Hvy Hcl
3	819133808	Washer 12/32 x 2-3/8 x 8 Ga.
4	532139768	Wheel, Steering
5	532121897	Sleeve, Steering
6	532152927	Screw
7	532155104	Bushing, Steering
8	532147391	Shaft, Steering

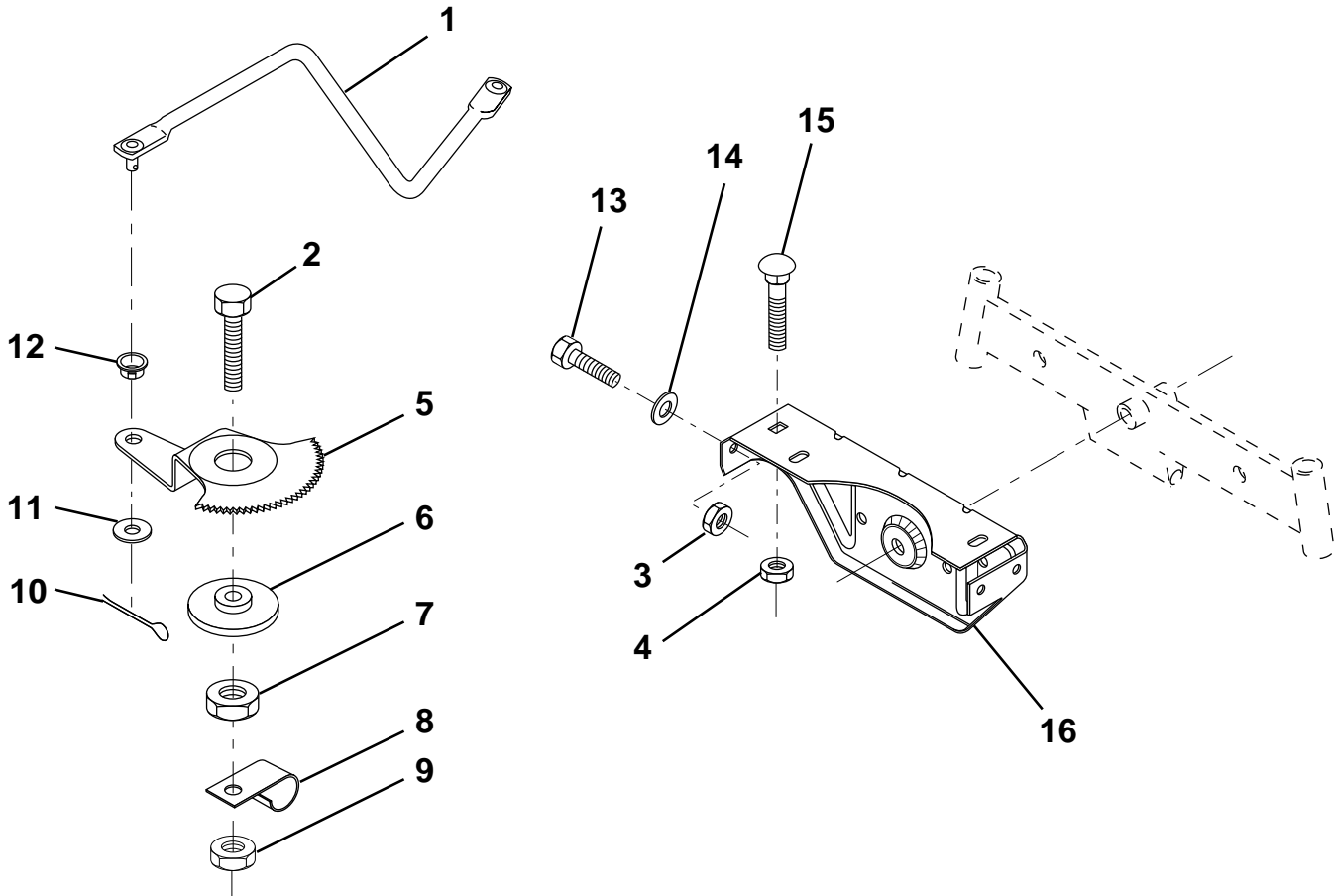
KEY NO.	PART NO.	DESCRIPTION
9	532124210	Clip, Steering
10	532123438	Bushing, Lower, Steering
11	812000045	Ring, Retaining
12	819211616	Washer 21/32 x 1 x 16 Ga.
13	532100711	Adaptor, Wheel, Steering
14	532153720	Extention, Shaft, Steering
15	874780520	Bolt, Fin., Hex 5/16-18 UNC x 1-1/4
16	873800500	Nut, Lock, Hex W/Ins. 5/16-18 UNC
17	874780616	Bolt, Fin Hex 3/8-16 UNC x 1

HARDWARE SHOWN LARGER FOR EASIER IDENTIFICATION

REPAIR PARTS

TRACTOR - - MODEL NUMBER P115B (P115TC90C)

SECTOR GEAR / AXLE SUPPORT



KEY NO.	PART NO.	DESCRIPTION
1	532132566	Link, Drag
2	874780828	Bolt, Fin Hex 1/2-13 x 1-3/4
3	873680500	Nut, Crownlock 5/16-18
4	873680600	Nut, Crownlock 3/8-16
5	532121926	Gear, Sector
6	532121927	Bushing
7	873030800	Nut, Heavy Hex Top Lock 1/2-13 UNC
8	532126472	Clip, Insulated

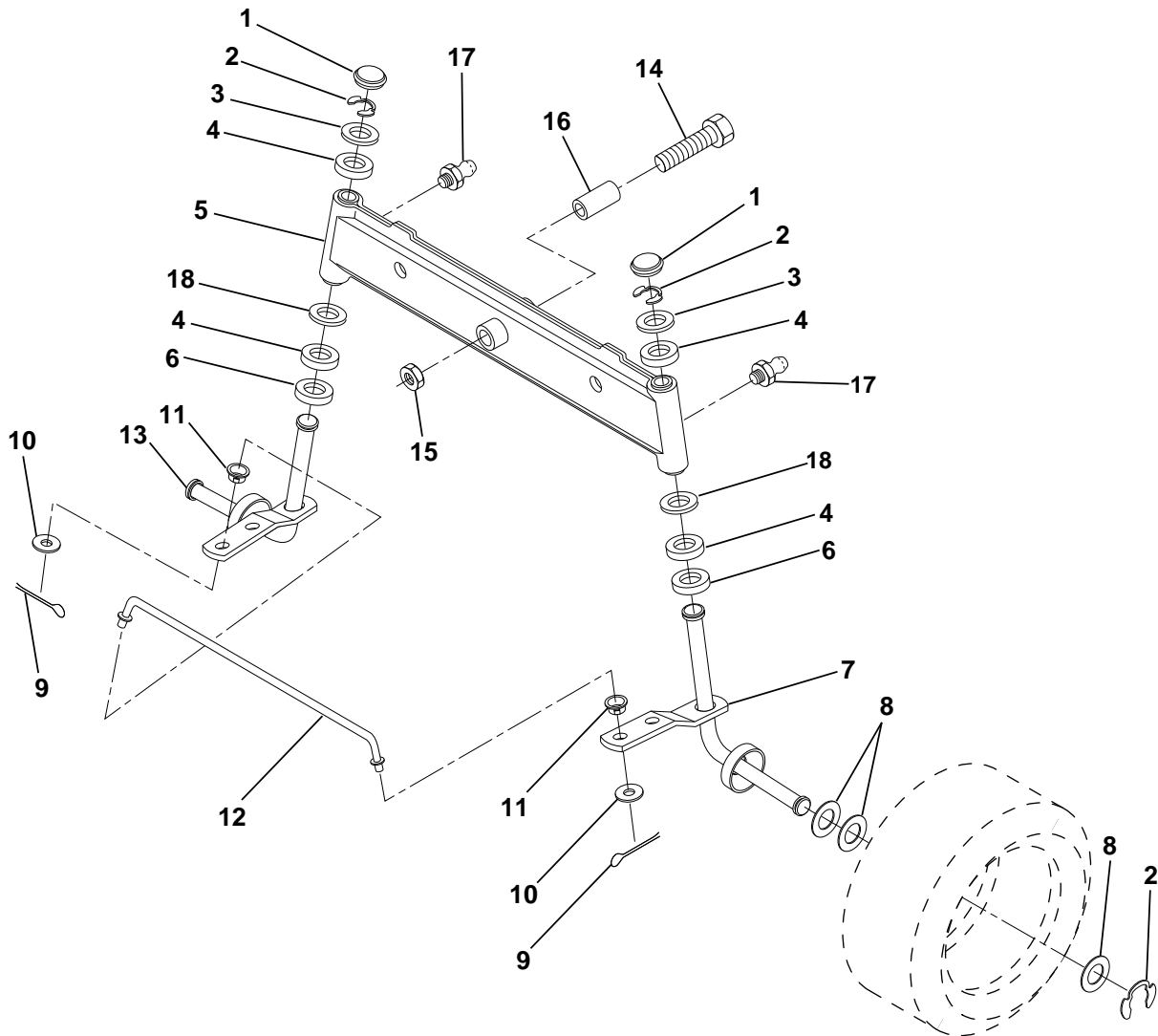
KEY NO.	PART NO.	DESCRIPTION
9	873680800	Nut, Crownlock 3/8-16
10	876020412	Pin, Cotter 1/8 x 3/4
11	819131316	Washer, 13/32 x 13/16 x 16 Ga.
12	532126847	Bushing
13	874760512	Bolt, Hex Hd. 5/16-18 UNC x 3/4
14	819111416	Washer 11/32 x 7/8 x 16 Ga.
15	872110606	Bolt, Carriage 3/8-16 UNC x 3/4
16	532137096	Support, Front Axle

HARDWARE SHOWN LARGER FOR EASIER IDENTIFICATION

REPAIR PARTS

TRACTOR - - MODEL NUMBER P115B (P115TC90C)

FRONT AXLE



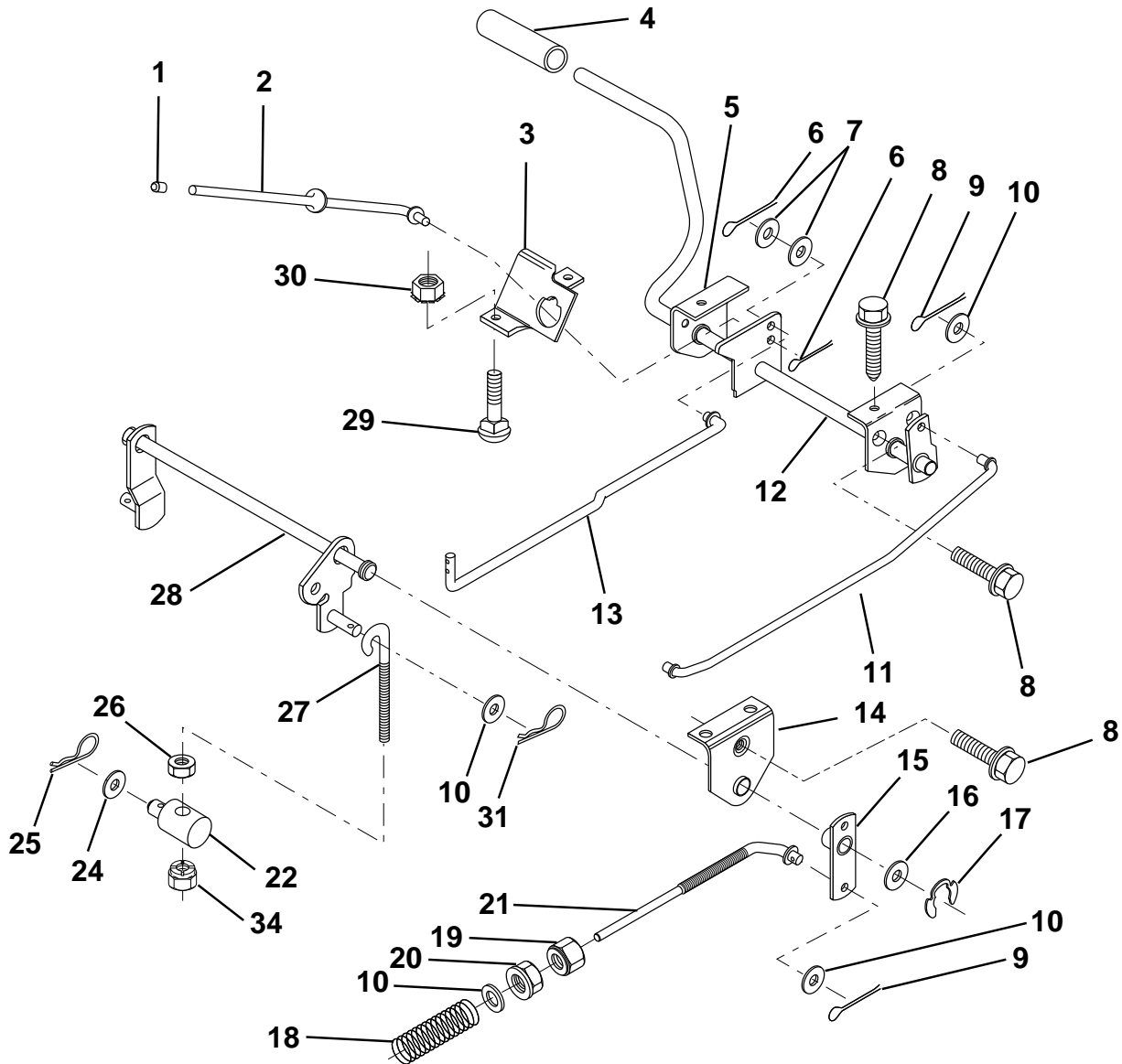
KEY NO.	PART NO.	DESCRIPTION	KEY NO.	PART NO.	DESCRIPTION
1	532121232	Cap, Spindle	10	819131316	Washer 13/32 x 13/16 x 16 Ga.
2	812000029	Ring, Clip	11	532126847	Bushing
3	532121748	Washer 25/32 x 1-5/8 x 16 Ga.	12	532130465	Rod, Tie
4	532124937	Bearing Col. Strg.	13	532161827	Spindle, L.H. Asm.
5	532142033	Axle, Front	14	874011056	Bolt Hex 5/8-11 UNC x 3-1/2
6	532124931	Bearing, Thrust	15	873901000	Nut Lock Flange 5/8-11
7	532161826	Spindle, R.H. Asm.	16	532110438	Spacer Bearing Axle
8	532121749	Washer 25/32 x 1-1/4 x 16 Ga.	17	532124836	Fitting Grease
9	876020412	Pin, Cotter 1/8 x 3/4	18	819272016	Washer 27/32 x 1-1/4 x 16 Ga.

HARDWARE SHOWN LARGER FOR EASIER IDENTIFICATION

REPAIR PARTS

TRACTOR - - MODEL NUMBER P115B (P115TC90C)

BRAKE / REAR MOWER LIFT ASSEMBLY



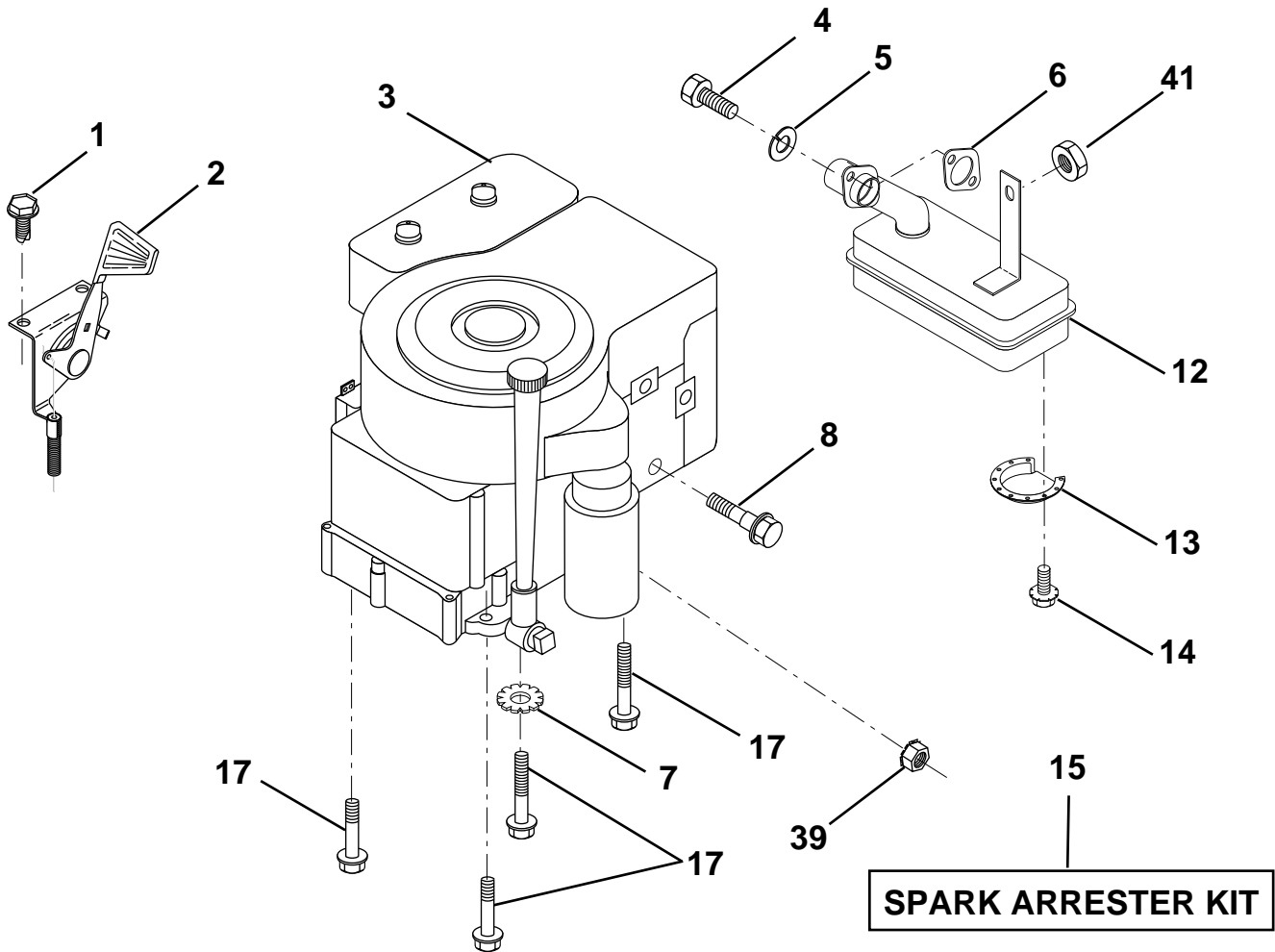
KEY NO.	PART NO.	DESCRIPTION	KEY NO.	PART NO.	DESCRIPTION
1	532071673	Cap, Plunger	16	819251816	Washer 25/32 x 1-1/8 x 16 Ga.
2	532123436	Rod, Parking Brake	17	812000034	Ring, Klip
3	532123437	Bracket, Parking Brake	18	532151332	Spring, Brake Rod
4	532008156	Cover, Pedal	19	873350600	Nut, Hex, Jam 3/8-16 UNC
5	532122504	Bracket, Clutch Pedal, LH	20	873800600	Nut, Lock, Hex W/Ins. 3/8-16 UNC
6	876020312	Pin, Cotter 3/32 x 3/4	21	532131460	Rod, Rear Brake
7	819131016	Washer 13/32 x 5/8 x 16 Ga.	22	532144585	Trunnion, Lift
8	817490508	Screw, Hex, Thd. Roll. 5/16-18 x 1/2	24	819132012	Washer 13/32 x 1-1/4 x 12 Ga.
9	876020412	Pin, Cotter 1/8 x 3/4	25	532124961	Spring, Retainer
10	819131316	Washer 13/32 x 13/16 x 16 Ga.	26	873930600	Nut, Centerlock 3/8-16 UNC
11	532123543	Rod, Brake Front	27	532127369	Link, Threaded
12	532139933	Assembly, Clutch/Brake Pedal	28	532140776	Assembly, Rear Mower Lift
13	532123394	Rod, Clutch	29	872110506	Bolt, Carriage 5/16-18 UNC x 3/4
14	532121978	Bracket, Lift, Shaft	30	873510500	Nut, Keps 5/16-16 UNC
15	532133332	Assembly, Brake, Pivot, Arm	31	532124660	Retainer, Spring
			34	873680600	Nut, Crownlock 3/8-16 UNC

HARDWARE SHOWN LARGER FOR EASIER IDENTIFICATION

REPAIR PARTS

TRACTOR - - MODEL NUMBER P115B (P115TC90C)

ENGINE / THROTTLE



KEY NO.	PART NO.	DESCRIPTION
1	817060408	Screw, Hex Thd. Cut 1/4-20 x 1/2
2	532132752	Control, Throttle
3	-----	Engine, Tec. OHV130
4	532123528	Bolt, Hex Hd Phillips
5	810040500	Washer Lock Hvy Hlcl Spr. 5/16
6	532165291	Gasket, Exhaust
7	811050600	Washer, Lock Ext. Tooth 3/8
8	532081328	Bolt, Shoulder 5/16
12	532156448	Muffler

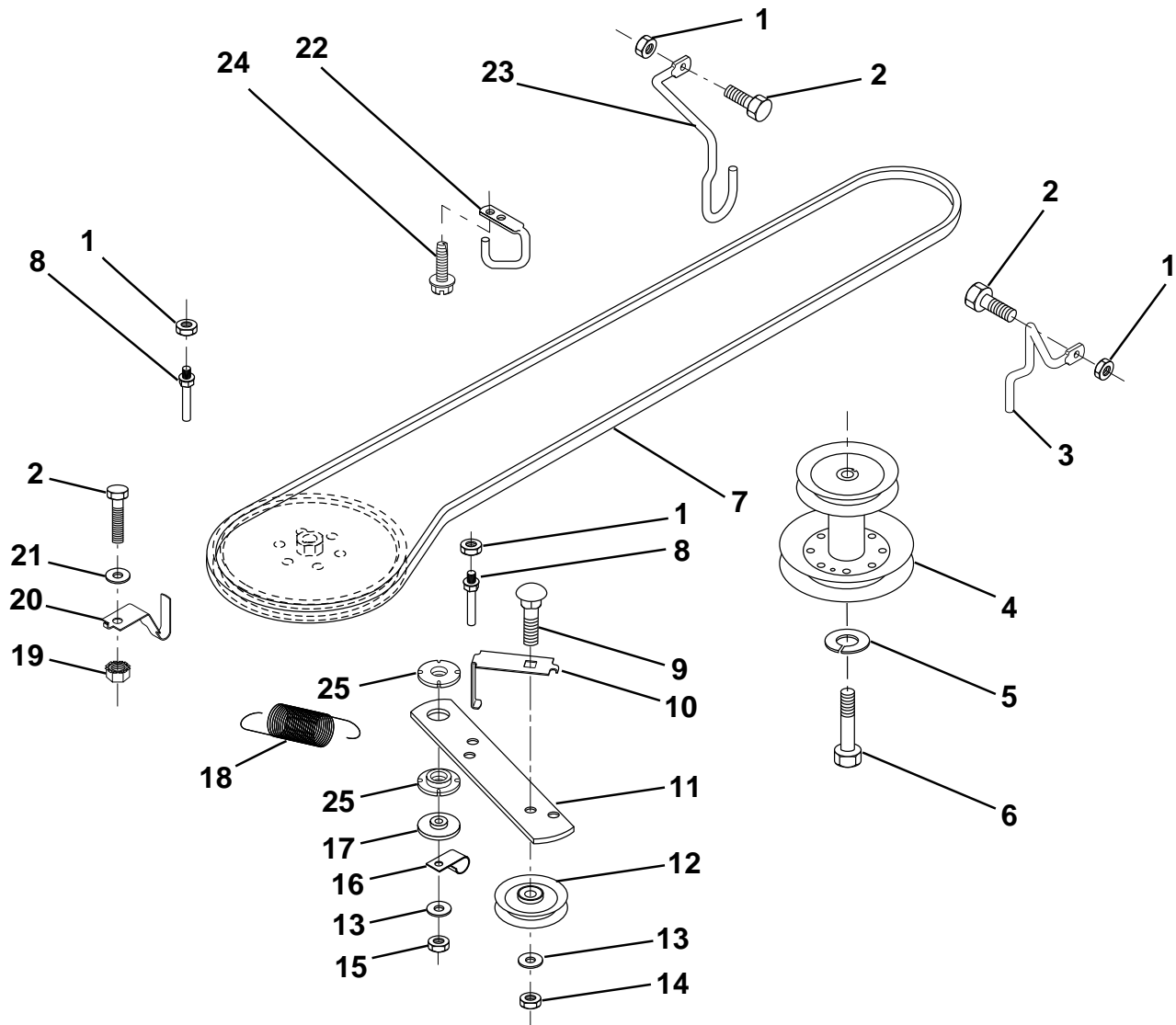
KEY NO.	PART NO.	DESCRIPTION
13	532101326	Deflector, Mower
14	817030808	Screw, Spiderloc
15	532137180	Arrester, Spark (Optional equipment)
17	817490624	Screw, Hex Wsh Hd Thdrol 3/8-16 x 1-1/2
39	532128861	Nut, Flange 1/4-20
41	873900500	Nut Lock Hex Flange 5/16-18

HARDWARE SHOWN LARGER FOR EASIER IDENTIFICATION

REPAIR PARTS

TRACTOR - - MODEL NUMBER P115B (P115TC90C)

GROUND DRIVE



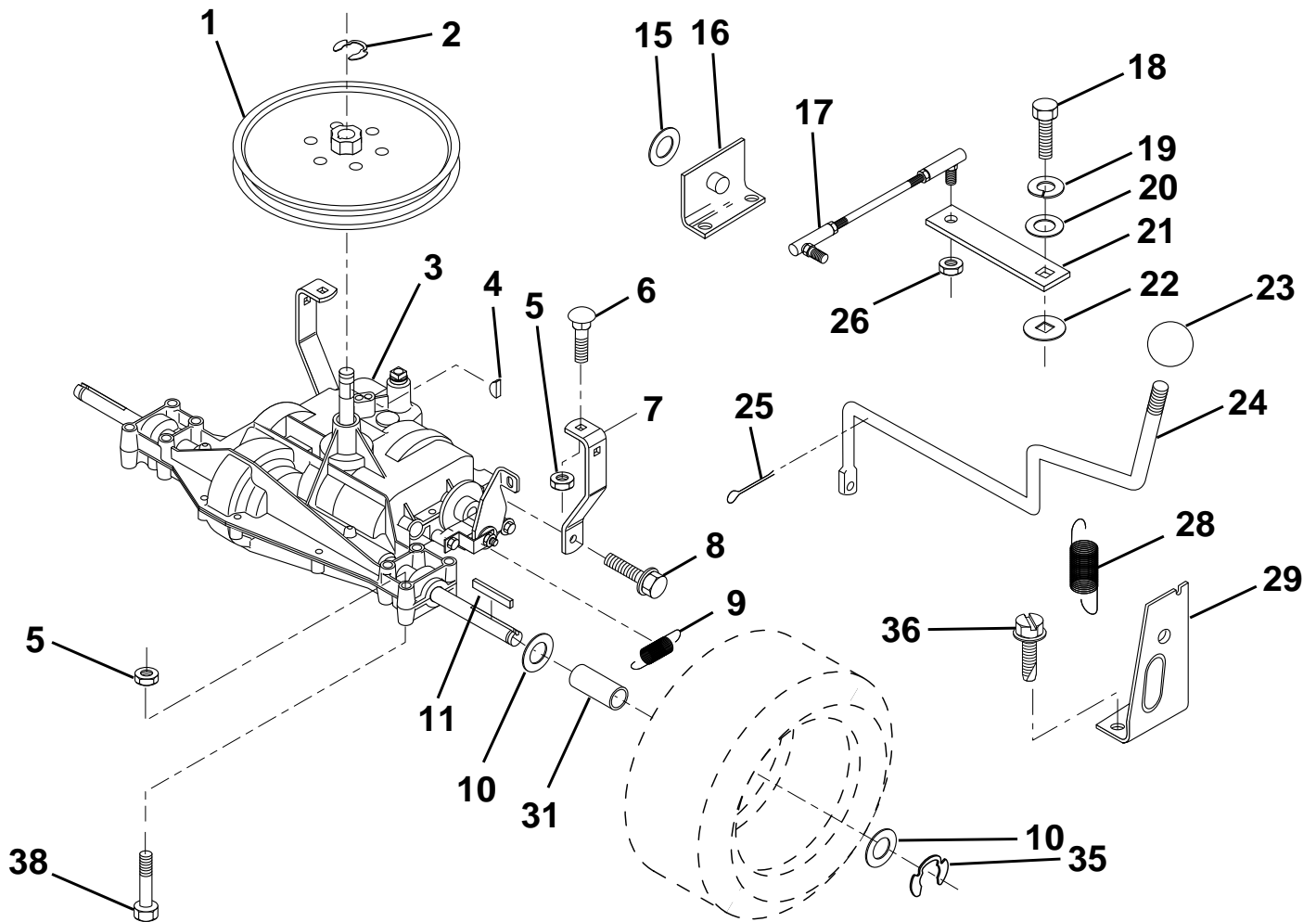
KEY NO.	PART NO.	DESCRIPTION	KEY NO.	PART NO.	DESCRIPTION
1	873680500	Nut, Crownlock 5/16-18	14	873930600	Nut, Centerlock 3/8-16 UNC
2	874760512	Bolt, Hex Hd 5/16-18 UNC x 3/4	15	873680600	Nut, Crownlock 3/8-16 UNC
3	532141342	Keeper, Mower Drive, R. H.	16	532126471	Clip, Insulated
4	532138029	Pulley, Engine	17	532150932	Spacer, Retainer
5	810040700	Washer, Lock 7/16	18	532131459	Spring Extension
6	871170744	Bolt, Fin. Hex 7/16-20	19	873510500	Nut, Keps 5/16-18 UNC
7	532126520	Traction, V-Belt Drive	20	532139919	Keeper, T/A Ground Drive Belt
8	532123405	Keeper, T/A Ground Drive Belt	21	819111016	Washer 11/32 x 5/8 x 16 Ga.
9	872140612	Bolt, Carr. 3/8-16 UNC x 1-1/2	22	532123404	Keeper, Frame Ground Drive Belt
10	532123396	Keeper, Belt Ground Drive Idler	23	532140916	Keeper, Mower Drive, L. H.
11	532150926	Arm, Ground Drive Clutch	24	817720408	Screw, Thd. Cut 1/4-20 x 1/2
12	532123674	Idler, Flat	25	532150935	Bushing, Nylon
13	819131316	Washer 13/32 x 13/16 x 16 Ga.			

HARDWARE SHOWN LARGER FOR EASIER IDENTIFICATION

REPAIR PARTS

TRACTOR - - MODEL NUMBER P115B (P115TC90C)

TRANSAXLE



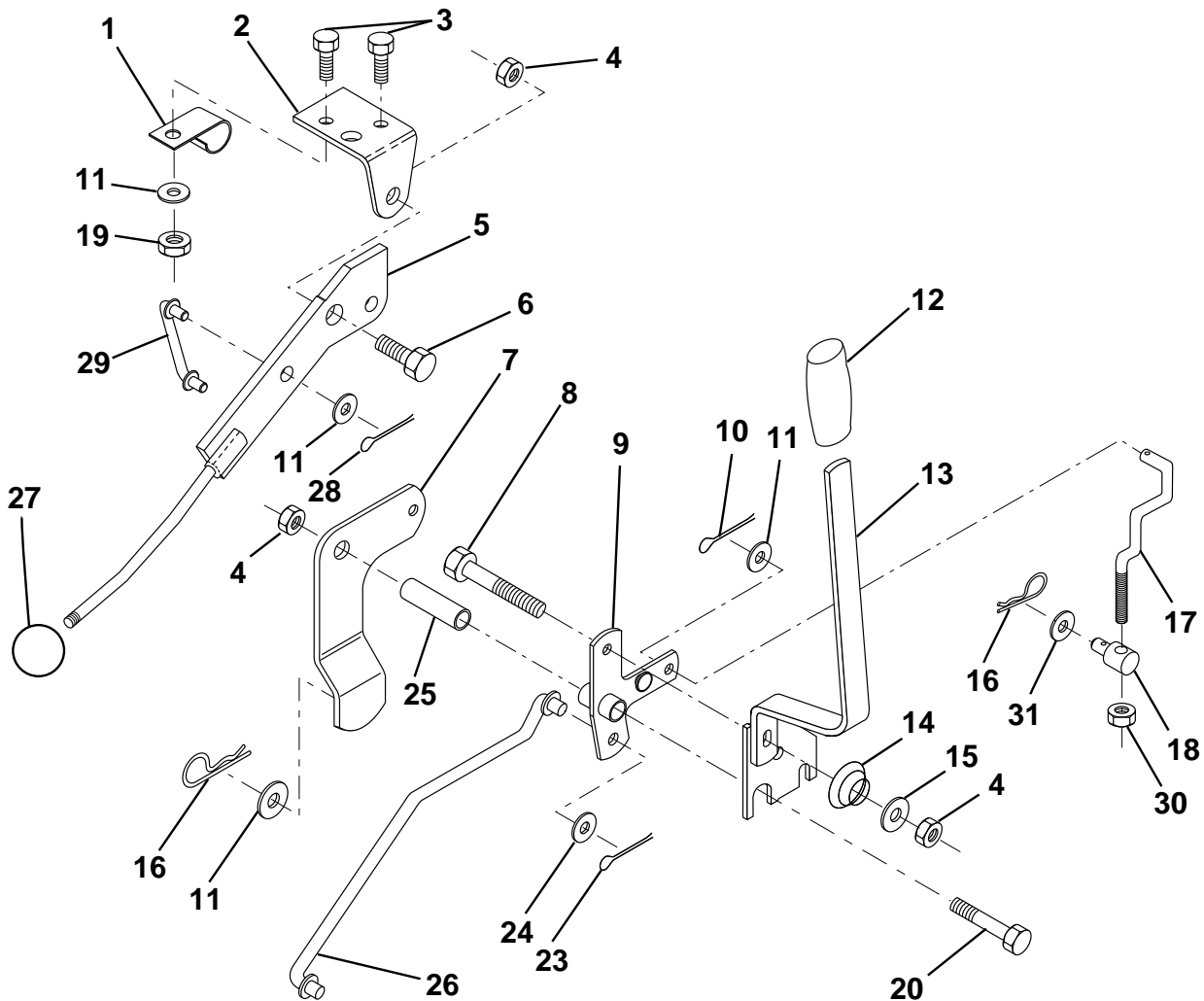
KEY NO.	PART NO.	DESCRIPTION	KEY NO.	PART NO.	DESCRIPTION
1	532123385	Pulley	18	874550412	Bolt, Fin Hex 1/4-28 UNF x 3/4 Gr. 8
2	812000028	Ring, Retainer	19	810040400	Washer, Lock 1/4
3	-----	Transaxle (See Breakdown) Peerless 205-507B	20	819091210	Washer 9/32 x 3/4 x 10 Ga.
4	532125096	Key, Woodruff #9	21	532126292	Arm, Shift
5	873680500	Nut, Crownlock 5/16-18	22	532105701	Washer, Shift Plate
6	872140506	Bolt, Carriage 5/16-18 UNC x 3/4	23	532106933	Knob, Duckhead
7	532123378	Strap, Torque	24	532128215	Rod, Shift
8	817490512	Screw 5/16-18 x 3/4	25	876020416	Pin, Cotter 1/8 x 1
9	532146682	Spring, Brake	26	873810500	Nut, Hex Nylon
10	532121749	Washer 25/32 x 1-1/4 x 16 Ga.	28	532128085	Extension, Spring
11	532123583	Key, Square	29	532128084	Support Handle Shift RH
15	819171616	Washer 17/32 x 1 x 16 Ga.	31	532137057	Spacer Split
16	532124600	Support Handle Shift LH	35	812000001	E-Ring
17	532126293	Link, Shift	36	817720408	Screw, Thd. Cut 1/4-20 x 1/2
			38	874490540	Bolt Hex Flghd 5/16-18

HARDWARE SHOWN LARGER FOR EASIER IDENTIFICATION

REPAIR PARTS

TRACTOR - - MODEL NUMBER P115B (P115TC90C)

MOWER LIFT LEVER



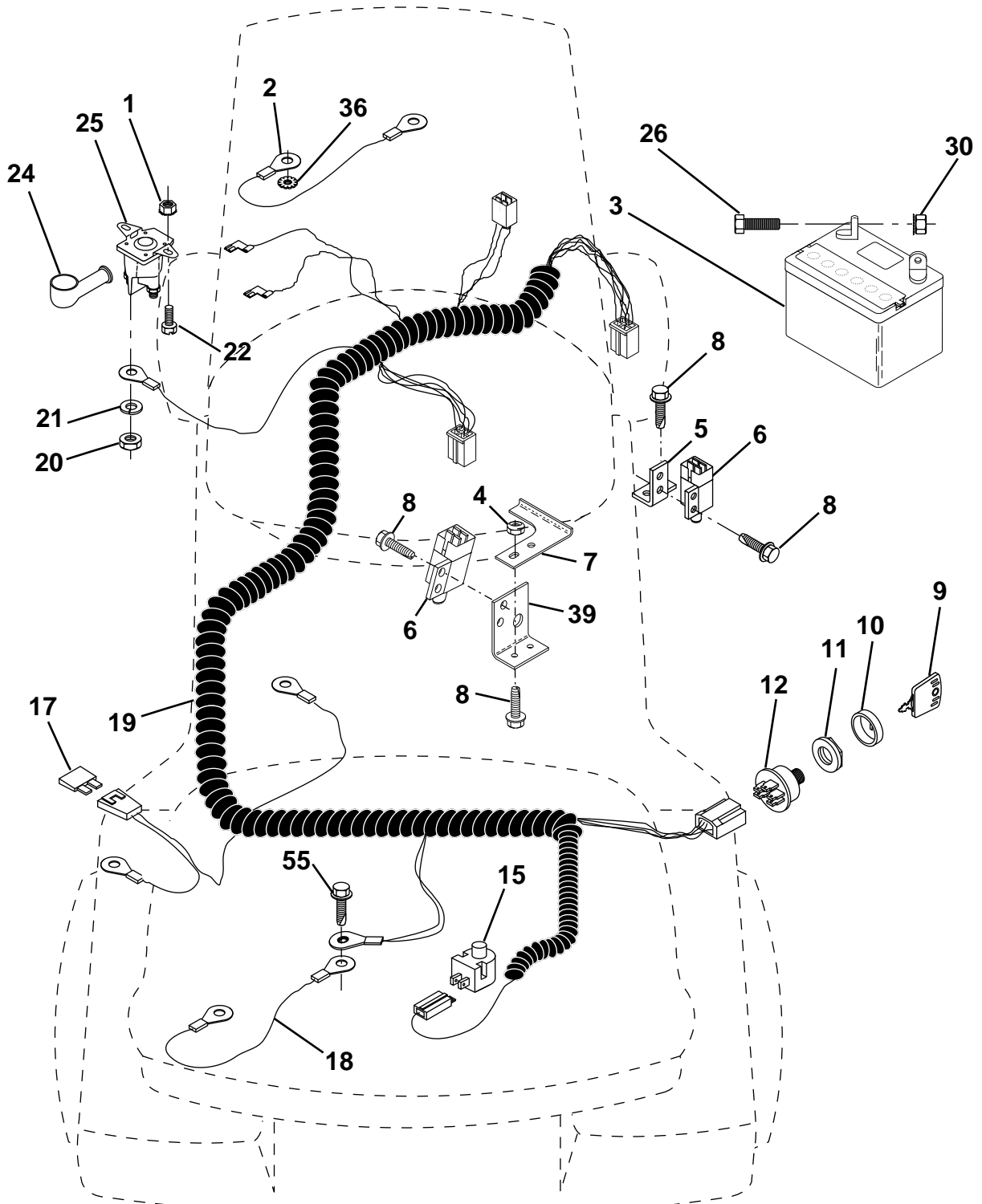
KEY NO.	PART NO.	DESCRIPTION	KEY NO.	PART NO.	DESCRIPTION
1	532126470	Clip, Insulated	15	819131212	Washer 13/32 x 3/4 x 12 Ga.
2	532122018	Bracket, Mower Clutch	16	532124961	Retainer, Spring
3	871110408	Bolt, Fin. Hex 1/4-20 UNC x 1/2 Gr. 5	17	532127359	Link, Front Lift
4	873680600	Nut, Crownlock 3/8-16 UNC	18	532142028	Trunnion, Threaded 3/8-16
5	532145187	Assembly, Clutch Lever	19	873680400	Nut, Crownlock 1/4-20
6	532106451	Bolt, Shoulder	20	874760644	Bolt, Fin. Hex 3/8-16 UNC x 2-3/4
7	532135371	Assembly, Mower Clutch Arm	23	876020416	Pin, Cotter 1/8 x 1
8	874760636	Bolt, Hex 3/8-16 UNC x 2-1/4	24	819171612	Washer 17/32 x 1 x 12 Ga.
9	532121930	Assembly, Bracket Lift	25	532121933	Tube, Spacer
10	876020412	Pin, Cotter 1/8 x 3/4	26	532141470	Rod, Mower Lift
11	819131316	Washer 13/32 x 13/16 x 16 Ga.	27	532106932	Knob
12	532131861	Grip, Handle	28	876020312	Pin, Cotter 3/32 x 3/4
13	532139352	Assembly, Lift Handle	29	532131655	Link, Mower Clutch
14	532123496	Spring, Compression	30	873350600	Nut Hex Jam 3/8-16 UNC
			31	819132012	Washer 13/32 x 1-1/4 x 12 Ga.

HARDWARE SHOWN LARGER FOR EASIER IDENTIFICATION

REPAIR PARTS

TRACTOR -- MODEL NUMBER P115B (P115TC90C)

ELECTRICAL



REPAIR PARTS

TRACTOR - - MODEL NUMBER P115B (P115TC90C)

ELECTRICAL

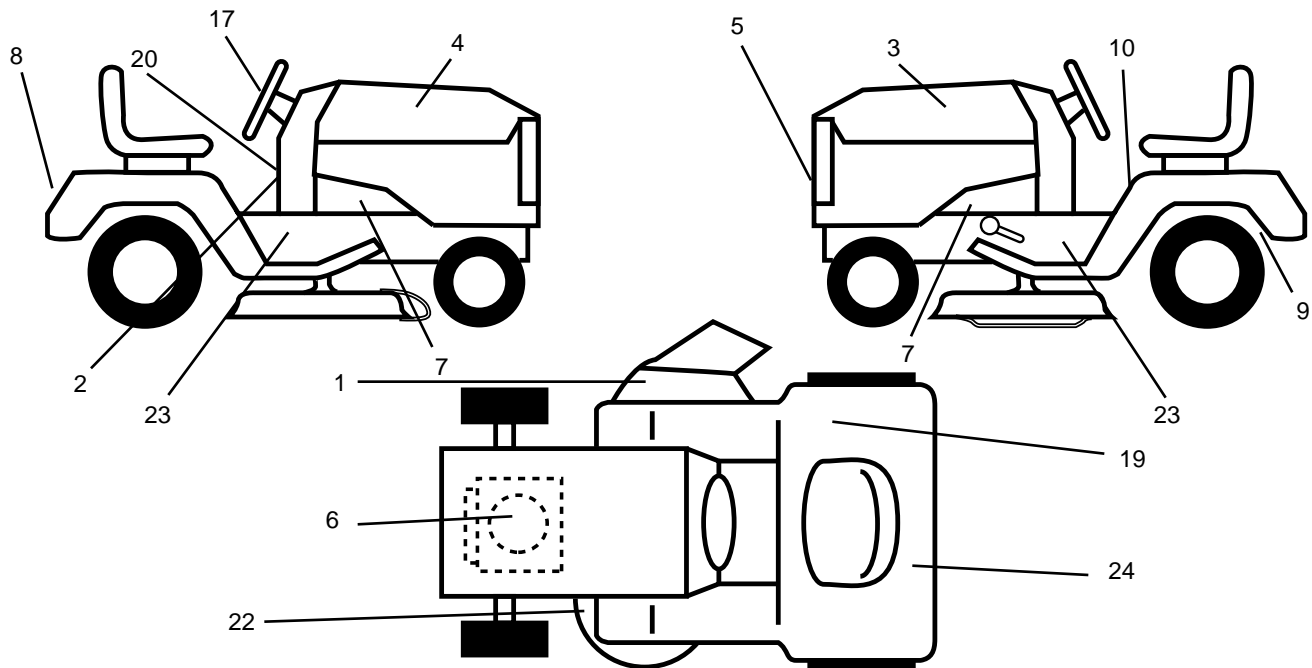
KEY NO.	PART NO.	DESCRIPTION
1	873640400	Nut, Hex Keps 1/4-20
2	532004560	Assembly, Cable
3	532144924	Battery
4	532069180	Nut, Lock #10-24 UNC
5	532108236	Bracket, Switch
6	532109553	Switch, Interlock
7	532146374	keeper, Actuator
8	817021008	Screw, Tap Hex Hd.
9	532140401	Key, Molded
10	532141226	Cover, Key Ignition
11	532140400	Nut, Ignition
12	532163088	Switch, Ignition
15	532121305	Switch, Plunger
17	532108824	Fuse
18	532128353	Assembly, Cable
19	532164063	Harness, Ignition
20	873350400	Nut, Hex Jam 1/4-20
21	810090400	Washer, Lock 1/4
22	8711110408	Bolt, Fin Hex 1/4-20 UNC x 1/2
24	532131563	Cover, Terminal
25	532145673	Solenoid
26	874760412	Bolt, Hex Hd. 1/4-20 UNC x 3/4
30	873510400	Nut Keps Hex 1/4-20 UNC
36	811150400	Washer Lock 1/4 Ext.
39	532141735	Bracket, Switch Clutch
55	817490508	Screw, Thdrol 5/16-18 x 1/2

HARDWARE SHOWN LARGER FOR EASIER IDENTIFICATION

REPAIR PARTS

TRACTOR -- MODEL NUMBER P115B (P115TC90C)

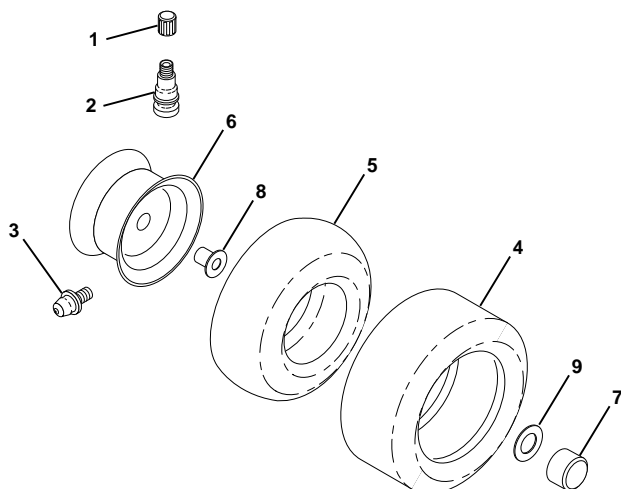
DECALS



KEY NO.	PART NO.	DESCRIPTION
1	532145494	Decal, Cutfinger
2	532145437	Decal, Europ. Stand. CE Tractors
3	532157870	Decal, Hood, L. H.
4	532157869	Decal, Hood, R. H.
5	532140951	Decal, Grill
6	532163853	Decal, Tec Engine HP
7	532159736	Decal, Chassis Hot Muffler
8	532140987	Decal, Fender
9	532162598	Decal, Drawbar Load Limit
10	532145498	Decal, Read, Owners Manual Syms

KEY NO.	PART NO.	DESCRIPTION
17	532146998	Decal, Steering Wheel
19	532126187	Decal DBA
20	532159739	Decal, Brake/Clutch Symbols
22	532136830	Decal, V-Belt Sch.
23	532137588	Decal, Chas. Turbo
24	532145005	Decal, Bat. Dan/Poi
--	532138311	Decal, Handle, Lift
--	532157023	Manual, Operator's (Scan.)
--	532157022	Manual, Operator's (Euro.)

WHEELS & TIRES

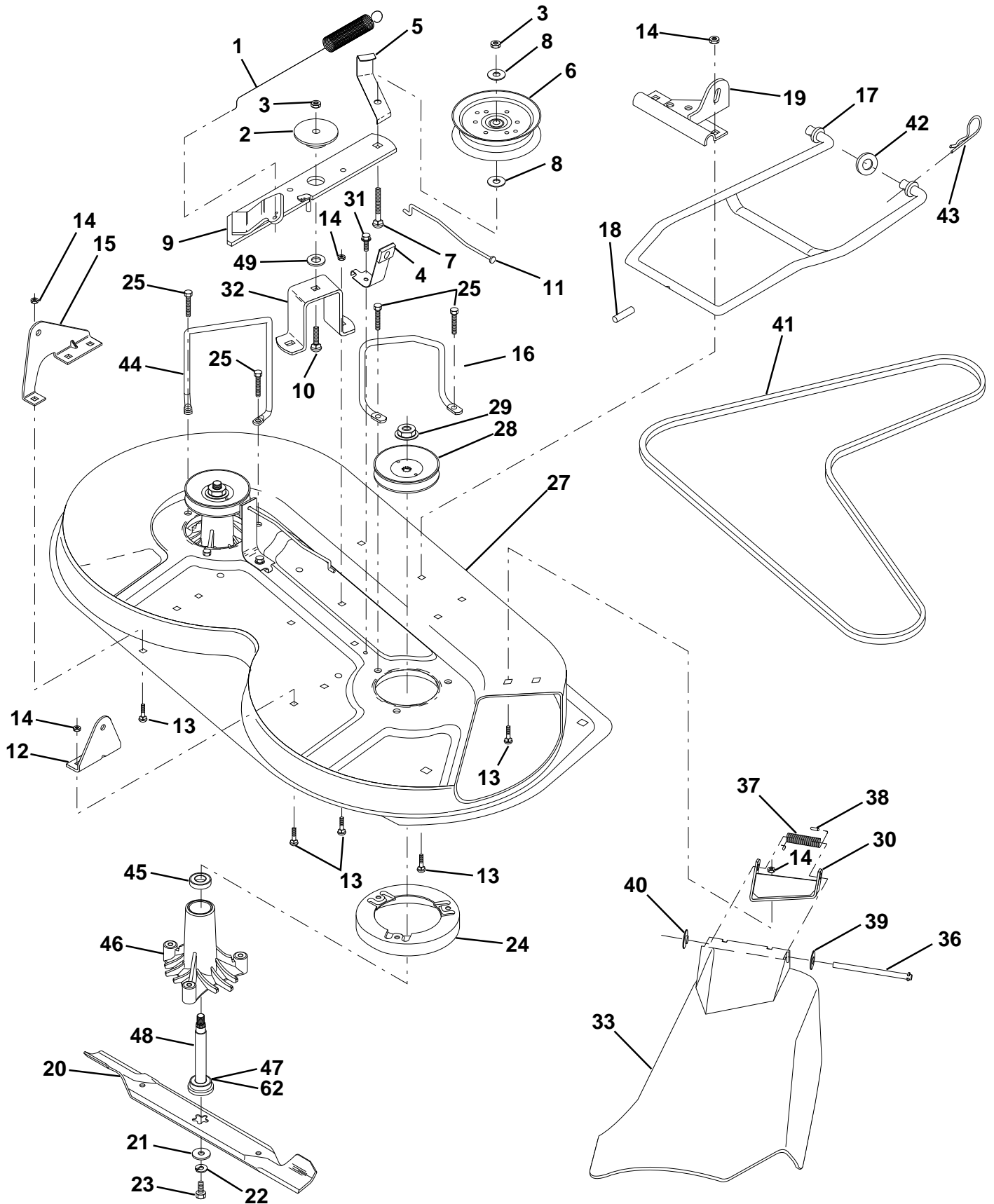


KEY NO.	PART NO.	DESCRIPTION
1	532059192	Cap, Valve
2	532065139	Stem, Valve
3	532124957	Fitting, Grease (Front Wheels Only)
4	532137422	Tire, Front
4	532132703	Tire, Rear
5	532059904	Tube, Front (Optional Service Item Only)
5	532008134	Tube, Rear (Optional Service Item Only)
6	532141472	Rim, Front
6	532141268	Rim, Rear
7	532104757	Cap, Axle
8	532124959	Bearing, Flange
9	532121748	Washer 25/32 x 1-5/8 x 16 Ga.
--	532144334	Sealant, Tire (10 oz. Tube)

REPAIR PARTS

TRACTOR -- MODEL NUMBER P115B (P115TC90C)

MOWER DECK



REPAIR PARTS

TRACTOR - - MODEL NUMBER P115B (P115TC90C)

MOWER DECK

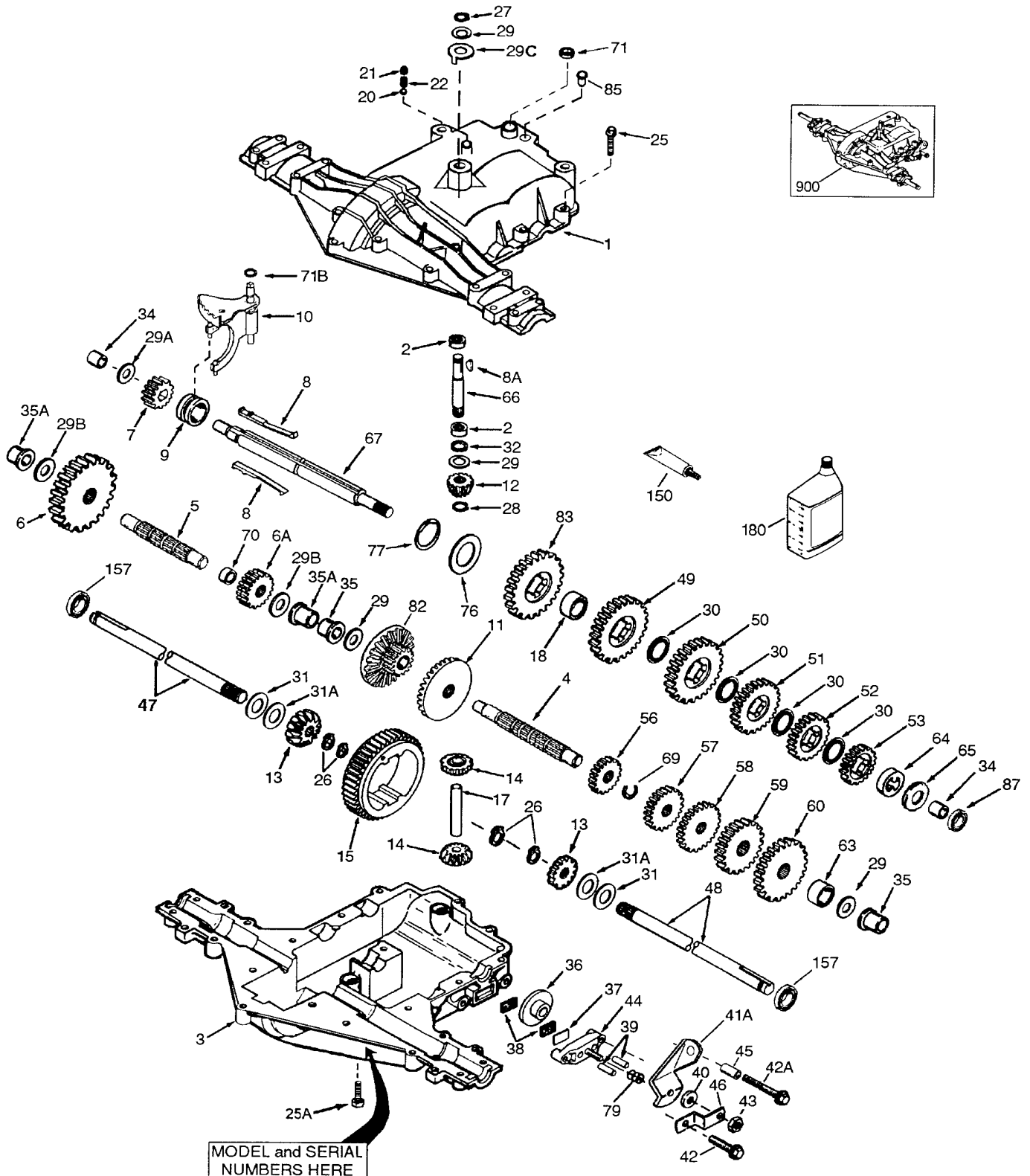
KEY NO.	PART NO.	DESCRIPTION	KEY NO.	PART NO.	DESCRIPTION
1	532140064	Spring, Mower Clutch	28	532153531	Pulley, Mandrel
2	532122052	Spacer, Retainer	29	532137266	Nut, Flangelock 9/16
3	873680600	Nut, Crownlock	30	532136631	Bracket, Asm. Deflector
4	532130840	Brake Asm.	31	817490508	Screw, Hex Wsh. Thdrol. 5/16-18 x 1/2
5	532131251	Guide, Belt Idler	32	532122051	Arm, Support Idler Mower
6	532121316	Pulley, Flat Idler	33	532131560	Deflector
7	872110616	Bolt, Carr. 3/8-16 x 2 Gr. 5	36	532121980	Rod, Hinge
8	819131410	Washer 13/21 x 7/8 x 10 Ga.	37	532123713	Spring, Torsion Deflector
9	532127744	Arm Asm., Idler Mower	38	532105304	Cap, Sleeve
10	872140610	Bolt, Carriage 3/8-16 x 1-1/4	39	819111016	Washer 11/32 x 5/8 x 16 Ga.
11	532130841	Rod, Brake	40	532110452	Pushnut
12	532127356	Bracket, Lift R.H. Rear	41	532131264	V-Belt
13	872140506	Bolt, Carriage 5/16-18 x 3/4	42	819171616	Washer 11/32 x 5/8 x 16 Ga.
14	873680500	Nut, Crownlock 5/16-18	43	532124660	Retainer, Spring
15	532127357	Bracket, Lift L.H. Rear	44	532140608	Keeper, L.H.
16	532153298	Keeper, R.H.	45	532110485	Bearing
17	532128508	Link, Asm. Mower Stabilizer	46	532128774	Housing, Mandrel
18	532128511	Pin, Drive	47	532129895	Bearing
19	532127380	Bracket, Asm. Front	48	532137645	Shaft, Asm. Mandrel (Incl. Key #47)
20	532138496	Blade	49	532133943	Washer Hardened
21	532140296	Washer, Hard	62	532153390	Washer Felt
22	810030600	Washer, Lock 3/8	--	532130794	Mandrel Asm. (Includes Key Nos. 21-23, 26, 29 and 45-48)
23	532850857	Bolt 3/8-24 x 1-1/4 Gr. 8	--	532156866	Deck, Service Complete
24	532140329	Stripper			
25	532157722	Screw Thdrol. Wsh Head			
27	532156600	Deck Assembly			

HARDWARE SHOWN LARGER FOR EASIER IDENTIFICATION

REPAIR PARTS

TRACTOR -- MODEL NUMBER P115B (P115TC90C)

TRANSAXLE PEERLESS - MODEL NUMBER 205-507B



REPAIR PARTS

TRACTOR - - MODEL NUMBER P115B (P115TC90C)

TRANSAXLE PEERLESS - MODEL NUMBER 205-507B

KEY PART NO. NO.	DESCRIPTION	KEY PART NO. NO.	DESCRIPTION		
1	772147	41A	790079	Transaxle Cover	Brake Lever
2	780086A	42	792073A	Needle Bearing 5/8" ID	Screw 1/4-20 x 1-1/4"
3	770128	42A	792085A	Transaxle Case	Screw 1/4-20 x 2-1/4"
4	776395	43	792075	Countershaft	Locknut 5/16-24
5	776409	44	790025	Output Shaft	Brake Pad Holder
6	778364	45	786066	Spur Gear (38 teeth)	Spacer
6A	778369	46	786086	Spur Gear (15 teeth)	Brake Lever Bracket
7	778330	47	774690	Spur Gear (11 teeth)	Axle (11-15/16" long)
8	792180	48	774691	Shift Key	Axle (16-1/2" long)
8A	792047	49	778356	Woodruff Key #9	Spur Gear (29 teeth)
9	784352	50	778354	Shift Collar	Spur Gear (23 teeth)
10	784378	51	778352	Shift Rod & Fork	Spur Gear (19 teeth)
11	778334	52	778350	Bevel Gear (30 teeth)	Spur Gear (16 teeth)
12	778309	53	778346	Input Bevel Pinion (13 teeth)	Spur Gear (15 teeth)
13	778368	56	778355	Bevel Gear (13 teeth) (Incl. 14)	Spur Gear (11 teeth)
14	778367	57	778353	Bevel Pinion (13 teeth) (Incl. 13)	Spur Gear (17 teeth)
15	778370	58	778351	Ring Gear (43 teeth)	Spur Gear (21 teeth)
17	786188	59	778349	Drive Pin	Spur Gear (24 teeth)
18	786102	60	778345	Spacer	Spur Gear (25 teeth)
20	792077	63	786071	Ball 5/16" dia	Countershaft Spacer 1-1/8" x 3/8"
21	792078	64	786072	Set Screw 3/8-16 x 3/8"	Brake Shaft Spacer 1-3/8" x 3/8"
22	792079	65	780189	Spring	Washer
25	792073A	66	776422	Screw 1/4-20 x 1-1/4"	Input Shaft
25A	792177	67	776396	Screw 1/4-20 x 1-3/8"	Shifter & Brake Shaft
26	792125	69	792170	Retaining Ring (pkg of 2)	Retaining Ring
27	792035	70	786187	Retaining Ring	Spacer .890
28	788040	71	788069	Retaining Ring	Square Cut Ring
29	780072	71B	788092	Washer	"O" Ring
29A	780160	76	780090	Washer	Washer
29B	780051	77	788078A	Thrust Washer (.762 ID)	Inverted Retaining Ring
29C	780199	79	792144	Anti-Rotation Washer .632	Spring
30	780108	82	778333	Washer	Bevel & Spur Gear (30 & 13 teeth)
31	780001	83	778338	Washer (.056 wide)	Spur Gear (27 teeth)
		85	792154	(USE AS NEEDED)	Oil Fill Plug
31A	780195	87	788089	Flat Washer (.062 wide)	Oil Seal 9/16"
32	788083	150	788093A	Oil Seal 5/8"	Liquid Gasket RTV Silicone
34	780194	157	788088	Bushing 9/16"	Oil Seal 3/4"
35	780193	180	730229A	Flanged Bushing 5/8" ID	Gear Oil 80W90
35A	780197	900	794684	Flanged Bushing 3/4"	Replacement 205-507B Transaxle
36	790075			Brake Disk	
37	790007			Brake Pad Plate	
38	799021			Brake Pad (pkg of 2)	
39	786026			Dowel Pin	
40	792076A			Flat Washer	

NOTE: All component dimensions given in U.S. inches
1 inch = 25.4 mm

HARDWARE SHOWN LARGER FOR EASIER IDENTIFICATION