

ILLUSTRATED PARTS BREAKDOWN

PARTNER

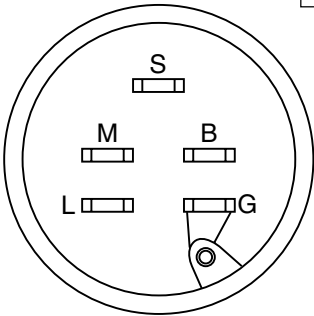
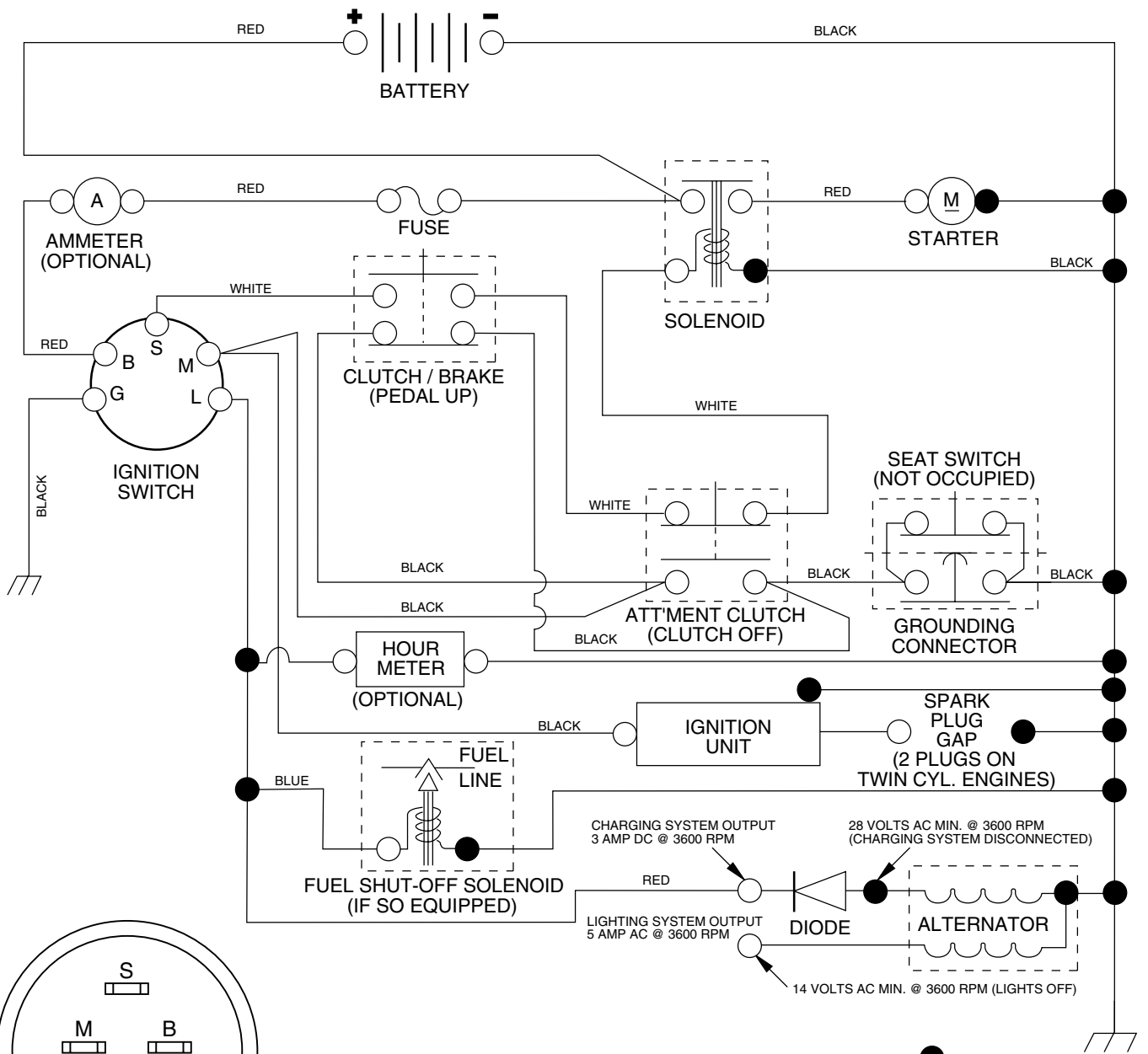
11.5 HP 36" MOWER DECK

LAWN TRACTOR

MODEL NO. P115T92 (P115T92A)

964 77 50-02

TRACTOR - - MODEL NUMBER P115T92 (P115T92A), PRODUCT NO. 964 77 50-02 SCHEMATIC



IGNITION SWITCH

| POSITION | CIRCUIT |
|----------|-----------|
| OFF | M + G |
| ON | B + L |
| START | B + S + L |

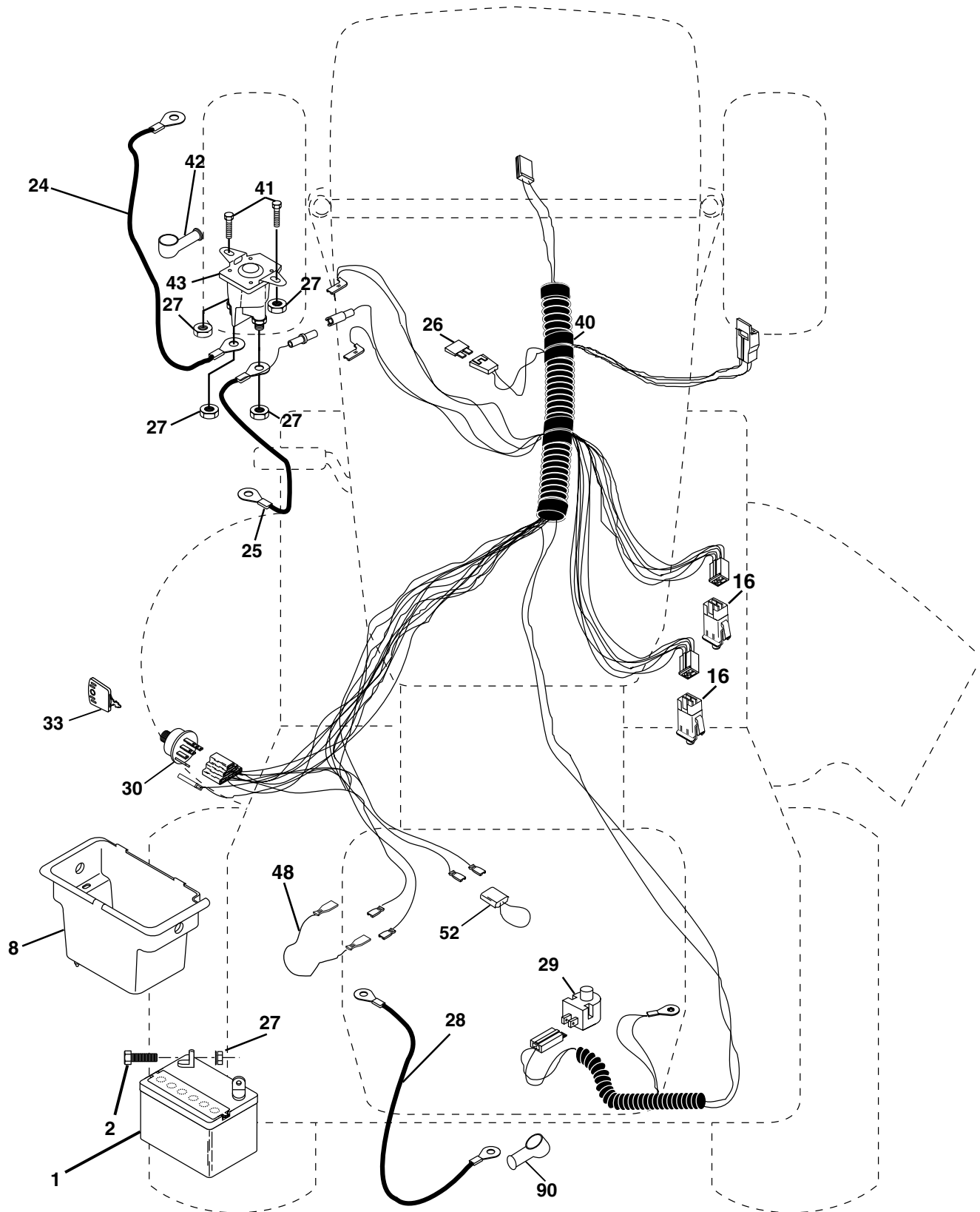
WIRING INSULATED CLIPS
NOTE: IF WIRING INSULATED CLIPS WERE REMOVED FOR SERVICING OF UNIT, THEY SHOULD BE REPLACED TO PROPERLY SECURE YOUR WIRING.

●
NON-REMOVABLE CONNECTIONS

○
REMOVABLE CONNECTIONS

REPAIR PARTS

TRACTOR -- MODEL NUMBER P115T92 (P115T92A), PRODUCT NO. 964 77 50-02
ELECTRICAL



REPAIR PARTS

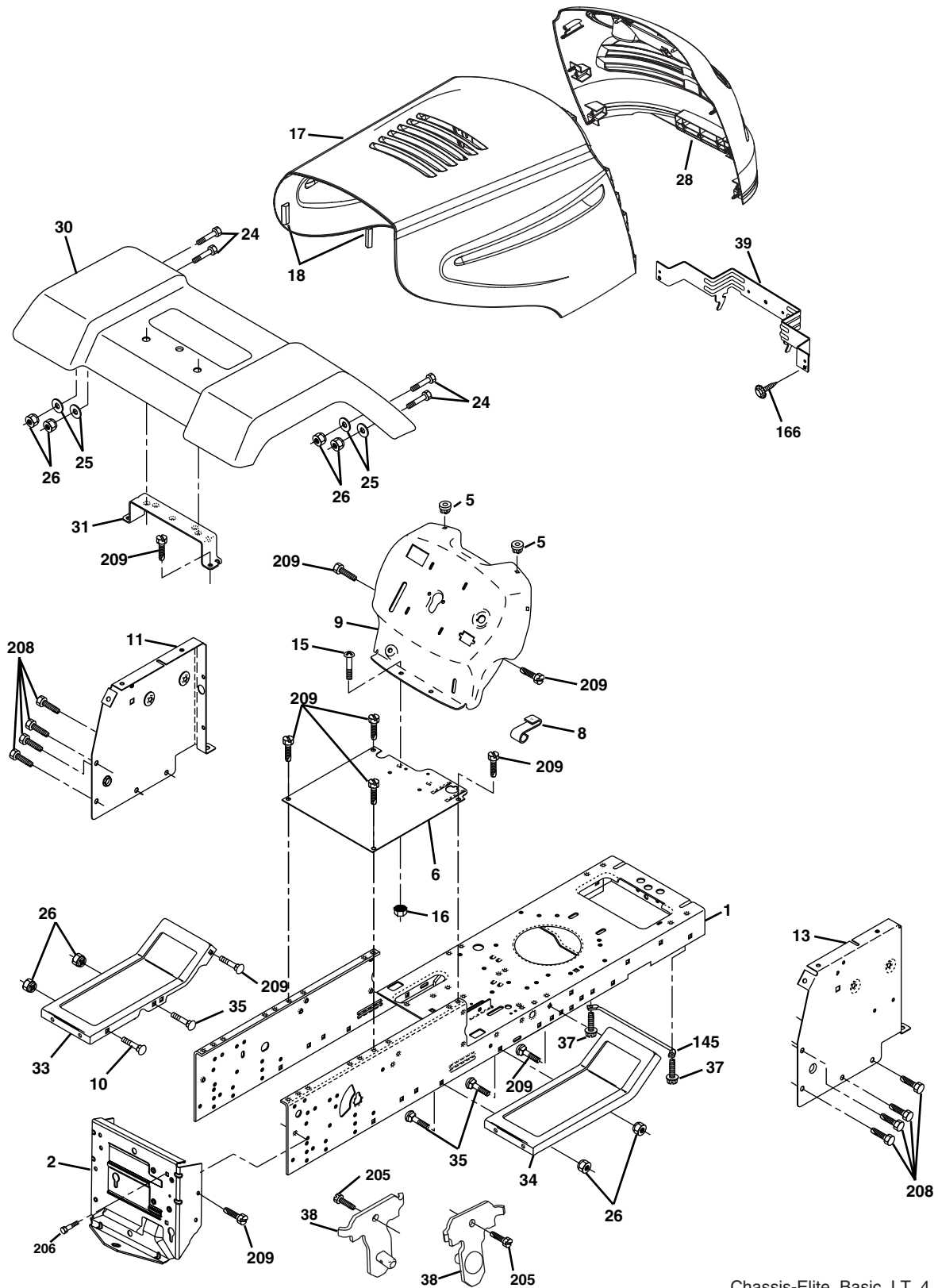
TRACTOR - - MODEL NUMBER P115T92 (P115T92A), PRODUCT NO. 964 77 50-02
ELECTRICAL

| KEY NO. | PART NO. | DESCRIPTION |
|---------|--------------|------------------------------|
| 1 | 532 16 34-65 | Battery 12 Volt 25 Amp |
| 2 | 874 76 04-12 | Bolt Hex Hd 1/4-20 Unc x 3/4 |
| 8 | 532 17 66-89 | Battery Box |
| 16 | 532 17 61-38 | Switch Interlock Push-In |
| 24 | 532 12 47-80 | Cable Battery 6 Ga. 11"red |
| 25 | 532 14 61-47 | Cable Battery |
| 26 | 532 17 51-58 | Fuse |
| 27 | 873 51 04-00 | Nut Keps Hex 1/4-20 unc |
| 28 | 532 12 47-73 | Cable Ground 6 Ga. 12"black |
| 29 | 532 12 13-05 | Switch Plunger Nc Gray |
| 30 | 532 17 55-67 | Switch Ign |
| 33 | 532 14 04-01 | Key Ign |
| 40 | 532 17 97-30 | Harness Ign |
| 41 | 871 11 04-08 | Bolt Blk Fin Hex 1/4-20 |
| 42 | 532 13 15-63 | Cover Terminal Red |
| 43 | 532 17 88-61 | Solenoid |
| 48 | 532 14 08-44 | Adapter Ammeter |
| 52 | 532 14 19-40 | Protection Wire Loop |
| 90 | 532 18 04-49 | Cover Terminal Battery |

NOTE: All component dimensions given in U. S. inches 1 inch = 25.4 mm.

REPAIR PARTS

TRACTOR - - MODEL NUMBER P115T92 (P115T92A), PRODUCT NO. 964 77 50-02
CHASSIS AND ENCLOSURES



Chassis-Elite_Basic_LT_4

REPAIR PARTS

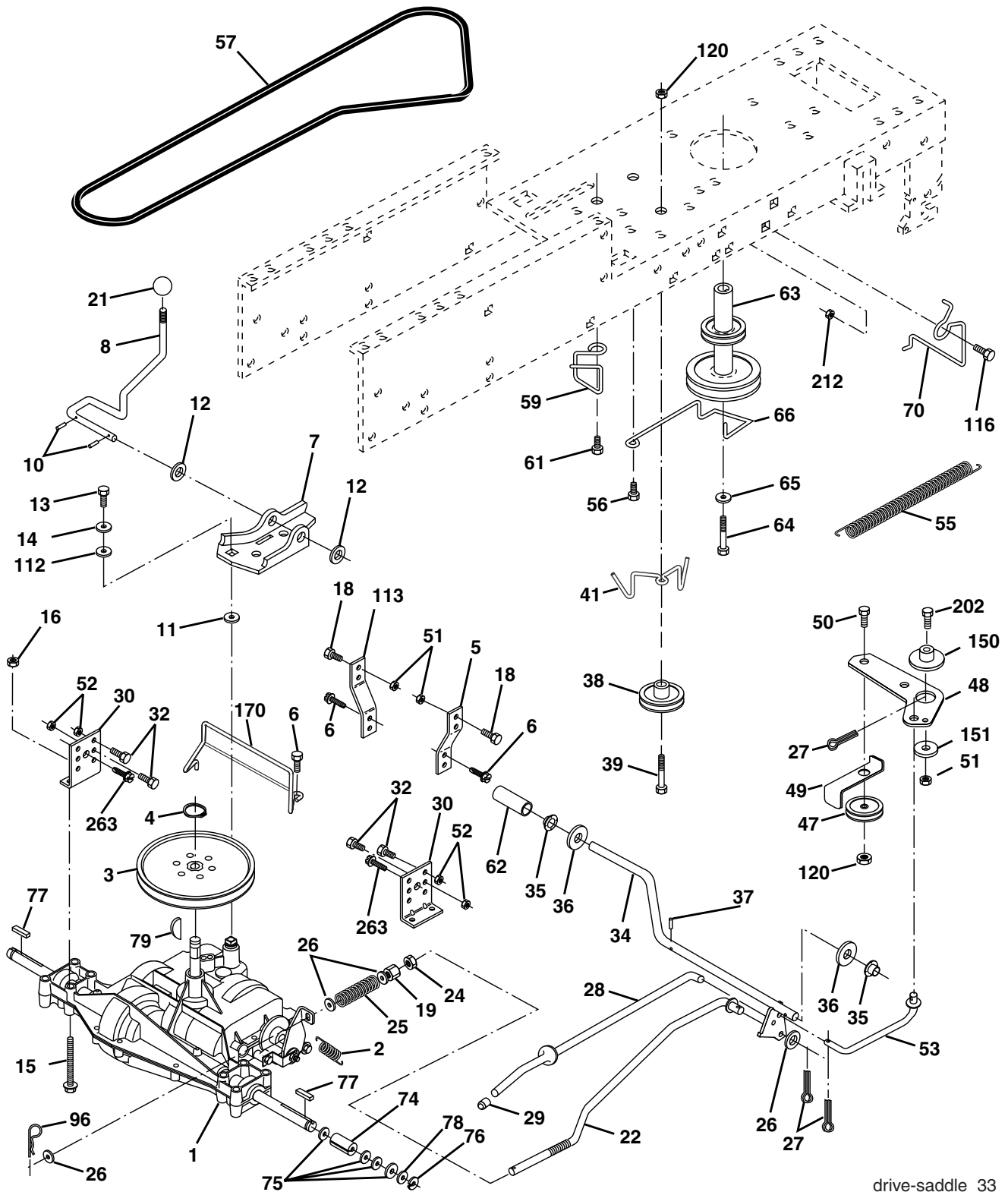
TRACTOR - - MODEL NUMBER P115T92 (P115T92A), PRODUCT NO. 964 77 50-02 CHASSIS AND ENCLOSURES

| KEY NO. | PART NO. | DESCRIPTION |
|------------|--------------|-----------------------------------|
| 1 | 532 17 46-20 | Chassis |
| 2 | 532 17 65-54 | Drawbar |
| 5 | 532 15 52-72 | Bumper, Hood/Dash |
| 6 | 532 18 12-71 | Saddle |
| 8 | 532 15 51-38 | Clip Retainer Slide-On |
| 9 | 532 18 54-80 | Dash |
| 10 | 872 14 06-08 | Bolt, Carriage 3/8-16 x 1 |
| 11 | 532 17 49-96 | Panel Dash LH |
| 13 | 532 18 69-52 | Panel Silkscr Dash RH |
| 15 | 874 18 05-12 | Screw Mach TRHD 5/16-18 unc x 3/4 |
| 16 | 873 51 05-00 | Nut Keps 5/16-18 Unc |
| 17 | 532 18 58-47 | Hood |
| 18 | 532 12 69-38 | Bumper Hood |
| 24 | 874 78 06-16 | Bolt Fin Hex 3/8-16 unc x 1 Gr. 5 |
| 25 | 819 13 13-12 | Washer 13/32 x 13/16 x 12 Ga. |
| 26 | 873 80 06-00 | Nut Lock Hex w/Ins 3/8-16 unc |
| 28 | 532 18 67-18 | Grille/Lens Asm. |
| 30 | 532 18 12-72 | Fender |
| 31 | 532 13 66-19 | Bracket Fender Repl 109873x |
| 33 | 532 18 25-07 | Footrest Pnt LH |
| 34 | 532 18 25-08 | Footrest Pnt RH |
| 35 | 872 11 06-06 | Bolt Rdhd Sht Sqnk 3/8-16 x 3/4 |
| 37 | 817 49 05-08 | Screw Thdrol 5/16-18 x 1/2 TYT |
| 38 | 532 17 57-10 | Bracket Asm. Pivot Mower Rear |
| 39 | 532 17 47-14 | Bracket Pivot Laser |
| 145 | 532 15 65-24 | Rod Pivot Chassis/Hood |
| 166 | 532 17 18-75 | Screw HwHd Hi-Lo # 13-16 x 5/8 |
| 205 | 817 49 06-08 | Screw Thdrol 3/8-16 x 1/2 |
| 206 | 532 17 01-65 | Bolt Shoulder 5/16-18 |
| 208 | 817 67 06-08 | Screw Thdrol 3/8-16 x 1/2 |
| 209 | 817 00 06-12 | Screw Hex Wsh Thdrol 3/8-16 |
| - - - | 532 00 54-79 | Plug Button Blk 359 Dia Choke |

NOTE: All component dimensions given in U.S. inches
1 inch = 25.4 mm.

REPAIR PARTS

TRACTOR -- MODEL NUMBER P115T92 (P115T92A), PRODUCT NO. 964 77 50-02
DRIVE



drive-saddle_33

REPAIR PARTS

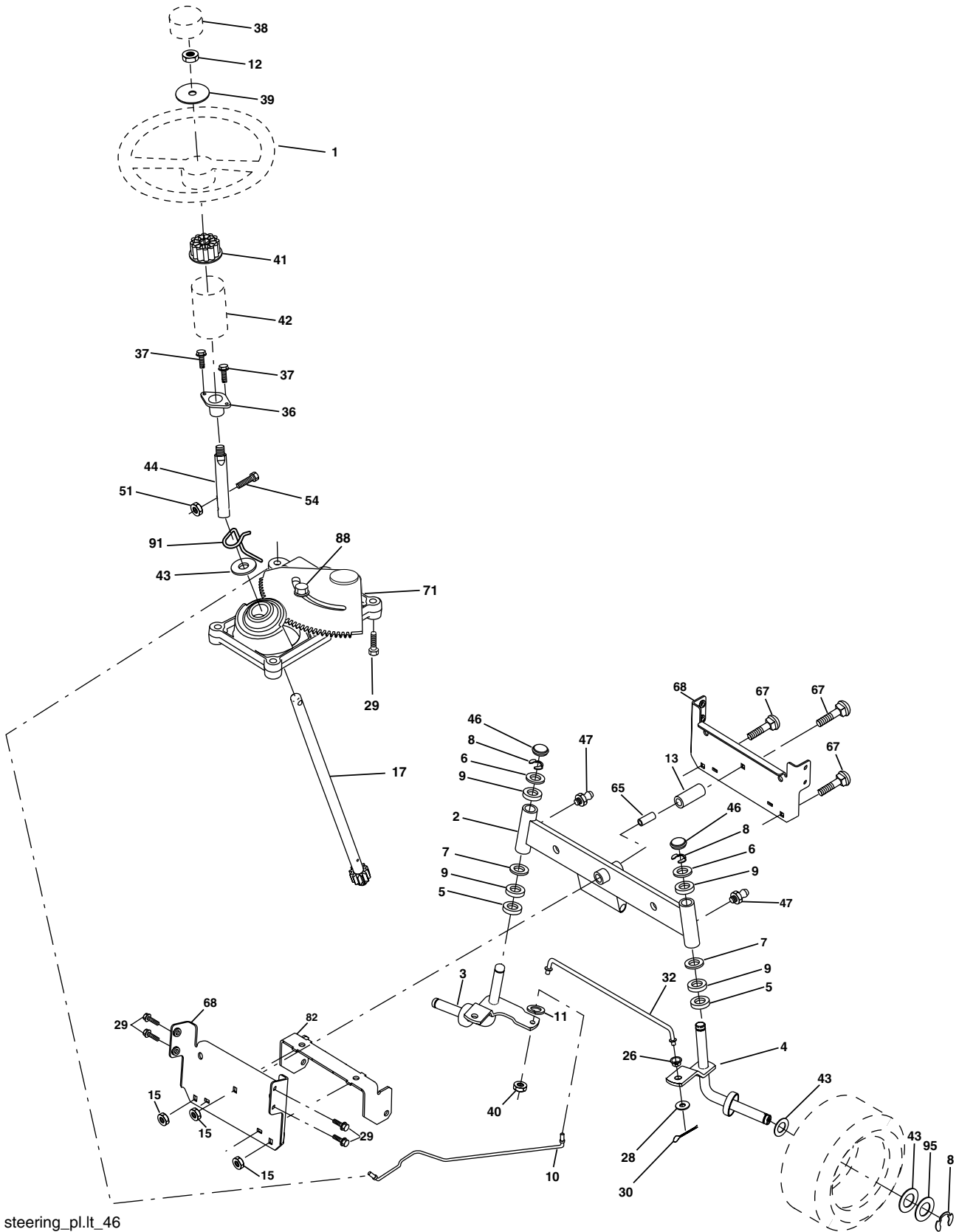
TRACTOR - - MODEL NUMBER P115T92 (P115T92A), PRODUCT NO. 964 77 50-02
DRIVE

| KEY NO. | PART NO. | DESCRIPTION | KEY NO. | PART NO. | DESCRIPTION |
|---------|--------------|---|---------|--------------|-----------------------------------|
| 1 | ----- | Transaxle, Peerless 204-506B (Order parts from transaxle manufacturer) | 48 | 532 15 44-07 | Bellcrank Asm |
| 2 | 532 14 66-82 | Spring Return Brake T/a Zinc | 49 | 532 12 32-05 | Retainer Belt Style Spring |
| 3 | 532 12 36-66 | Pulley Transaxle 18" tires | 50 | 872 11 06-12 | Bolt Carr Sh 3/8-16 x 1-1/2 Gr. 5 |
| 4 | 812 00 00-28 | Ring Retainer # 5100-62 | 51 | 873 68 06-00 | Nut Crownlock 3/8-16 Unc |
| 5 | 532 12 15-20 | Strap Torque 30 Degrees | 52 | 873 68 05-00 | Nut Crownlock 5/16-18 Unc |
| 6 | 817 00 05-12 | Screw 5/16-18 x 3/4 | 53 | 532 10 57-10 | Link Clutch |
| 7 | 532 16 22-40 | Bracket T/A Saddle Shift | 55 | 532 10 57-09 | Spring Return Clutch 6 75 |
| 8 | 532 13 16-79 | Rod Shifter | 56 | 817 06 06-20 | Screw 3/8-16 x 1-1/4 |
| 10 | 876 02 04-16 | Pin Cotter 1/8 x 1 Cad | 57 | 532 13 08-01 | V-Belt Ground Drive |
| 11 | 532 10 57-01 | Washer Plate Shf 388 Sq Hole | 59 | 532 16 96-91 | Keeper Belt Span Ctr |
| 12 | 819 15 12-16 | Washer 15/32 x 3/4 x 16 | 61 | 817 12 06-14 | Screw 3/8-16 x .875 |
| 13 | 874 55 04-12 | Bolt 1/4-28 Unf Gr 8 W/Patch | 62 | 532 12 48-72 | Cover Pedal Blk Round |
| 14 | 810 04 04-00 | Washer Lock Hvy Helical 1/4 | 63 | 532 18 02-19 | Engine Pulley |
| 15 | 874 49 05-44 | Bolt Hex Flghd 5/16-18 Gr. 5 | 64 | 532 17 39-37 | Bolt Hex |
| 16 | 873 80 05-00 | Nut Lock Hx W/Ins 5/16-18 Unc | 65 | 810 04 07-00 | Washer Lock Hvy Hlcl Spr 7/16 |
| 18 | 874 78 06-16 | Bolt, Fin Hex 3/8-16 Unc x 1 Gr. 5 | 66 | 532 15 47-78 | Keeper Belt Engine Foolproof |
| 19 | 873 80 06-00 | Nut Lock 3/8-16 Unc | 70 | 532 18 02-18 | Guide Belt Mower Drive RH |
| 21 | 532 10 69-33 | Knob | 74 | 532 13 70-57 | Spacer Axle |
| 22 | 532 13 08-04 | Rod Brake Blk Zinc 26 840 | 75 | 532 12 17-49 | Washer 25/32 x 1 1/4 x 16 Ga |
| 24 | 873 35 06-00 | Nut Hex Jam 3/8-16 Unc | 76 | 812 00 00-01 | E-ring #5133-75 |
| 25 | 532 10 68-88 | Spring Rod Brake 2 00 Zinc | 77 | 532 12 35-83 | Key Square 2 0 x 1845/ 1865 |
| 26 | 819 13 13-16 | Washer 13/32 x 13/16 x 16 Ga | 78 | 532 12 17-48 | Washer 25/32 x 1-5/8 x 16 Ga |
| 27 | 876 02 04-12 | Pin Cotter 1/8 x 3/4 Cad | 79 | 532 12 50-96 | Key Woodruff |
| 28 | 532 17 57-65 | Rod Brake Parking | 96 | 532 12 47-88 | Retainer Spring 1" |
| 29 | 532 07 16-73 | Cap Brake Parking | 112 | 819 09 12-10 | Washer 9/32 x 3/4 x 10 Ga. |
| 30 | 532 17 49-73 | Bracket Mtg Transaxle | 113 | 532 12 72-85 | Strap Torque Lh |
| 32 | 874 76 05-12 | Bolt Hex Hd 5/16-18unc x 3/4 | 116 | 872 14 06-08 | Bolt Rdhd Sq Neck 3/8-16 x 1.00 |
| 34 | 532 17 55-78 | Shaft Asm Pedal Foot | 120 | 873 90 06-00 | Nut Lock Flg 3/8-16 |
| 35 | 532 12 01-83 | Bearing Nylon Blk 629 Id | 150 | 532 17 54-56 | Spacer Retainer |
| 36 | 819 21 16-16 | Washer 21/32 x 1 x 16 Ga | 151 | 819 13 32-10 | Washer 13/32 x 2 x 10 |
| 37 | 532 12 49-63 | Pin Roll 3/16 x 1" | 170 | 532 18 74-14 | Keeper Belt T/A |
| 38 | 532 17 91-14 | Pulley Idler Composite | 202 | 872 11 06-14 | Bolt, 3/8 - 16 x 1-3/4 Gr. 5 |
| 39 | 872 11 06-22 | Bolt Rdhd 3/8-16 Unc x 2-3/4 Gr. 5 | 212 | 532 14 52-12 | Nut Flange Hex Lock |
| 41 | 532 17 55-56 | Keeper Belt Retainer Idler | 263 | 817 00 06-12 | Screw 3/8-16 x 3/4 |
| 47 | 532 12 77-83 | Pulley Idler V Groove Plastic | | | |

NOTE: All component dimensions given in U.S. inches
1 inch = 25.4 mm

REPAIR PARTS

TRACTOR -- MODEL NUMBER P115T92 (P115T92A), PRODUCT NO. 964 77 50-02
STEERING



steering_pl.it_46

REPAIR PARTS

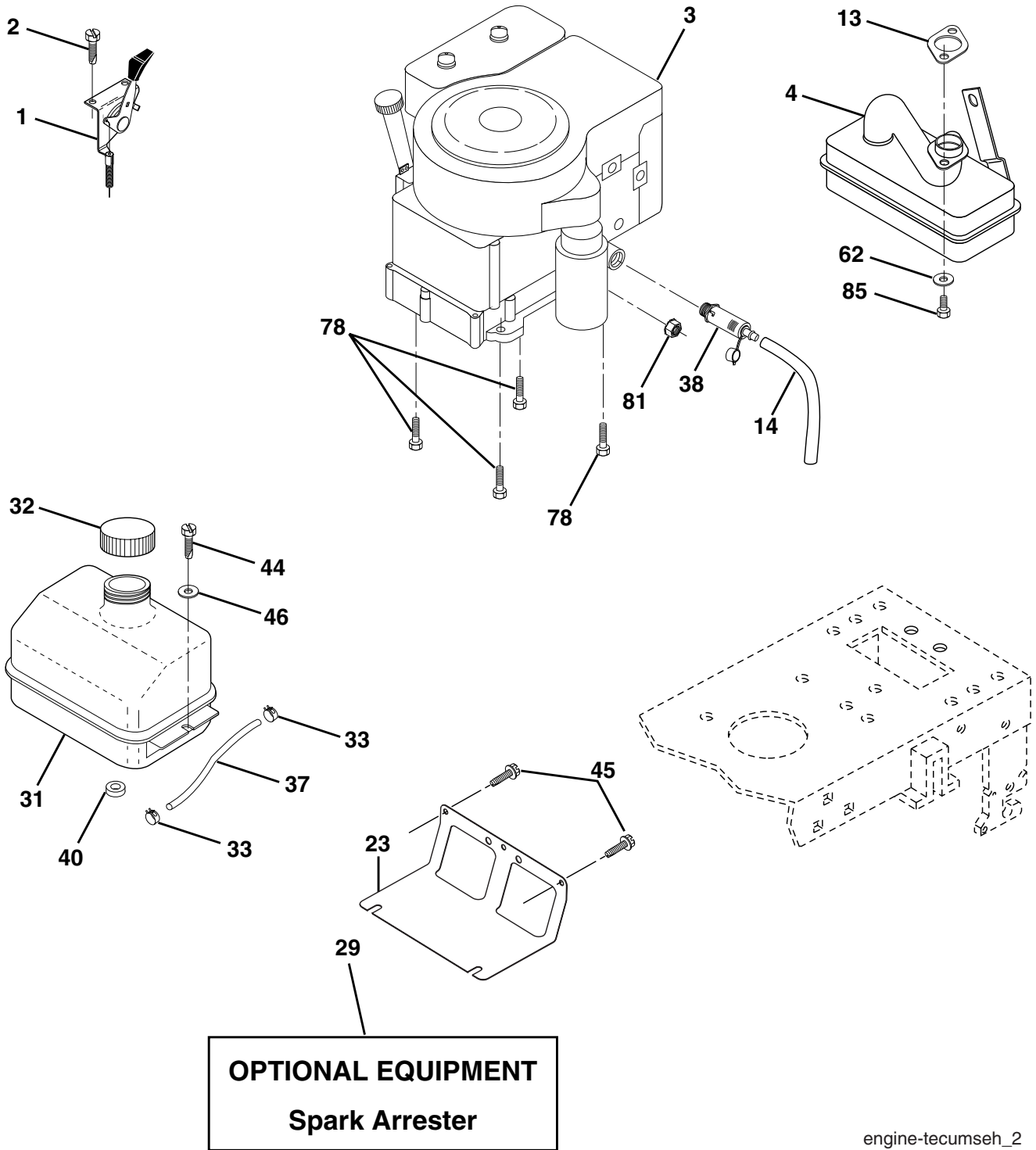
TRACTOR - - MODEL NUMBER P115T92 (P115T92A), PRODUCT NO. 964 77 50-02
STEERING

| KEY NO. | PART NO. | DESCRIPTION |
|---------|--------------|----------------------------------|
| 1 | 532 13 97-68 | Wheel Steering |
| 2 | 532 17 51-31 | Axle Asm |
| 3 | 532 16 98-40 | Spindle Asm LH |
| 4 | 532 16 98-39 | Spindle Asm RH |
| 5 | 532 12 49-31 | Bearing Race Thrust Harden |
| 6 | 532 12 17-48 | Washer 25/32 x 1-5/8 x 16 Ga. |
| 7 | 819 27 20-16 | Washer 27/32 x 1-1/4 x 16 Ga. |
| 8 | 812 00 00-29 | Ring Klip #t5304-75 |
| 9 | 532 12 49-37 | Bearing Col Strg Blk |
| 10 | 532 17 51-21 | Link Drag |
| 11 | 810 04 06-00 | Washer Lock Hvy Hlcl Spr 3/8 |
| 12 | 873 94 08-00 | Nut Hex Jam Toplock 1/2-20 |
| 13 | 532 13 65-18 | Spacer earing Axle Front |
| 15 | 532 14 52-12 | Hexflange Lock |
| 17 | 532 18 06-41 | Shaft Asm Strg |
| 26 | 532 12 68-47 | Bushing Link Drag Blk LR |
| 28 | 819 13 14-16 | Washer 13/32 x 7/8 x 16 Ga. |
| 29 | 817 00 06-12 | Screw 3/8-16 x 3/4 |
| 30 | 876 02 04-12 | Pin Cotter 1/8 x 3/4 Cad |
| 32 | 532 13 04-65 | Rod Tie Wire Form 19 75 Mech |
| 36 | 532 15 50-99 | Bushing Strg 5/8 Id Dash |
| 37 | 532 15 29-27 | Screw |
| 38 | 532 14 01-75 | Cap Wheel Steer |
| 39 | 819 18 38-12 | Washer 9/16 ID x 2-3/8OD 12 Ga. |
| 40 | 873 54 06-00 | Nut Crownlock 3/8-24 |
| 41 | 532 18 67-37 | Adaptor Wheel Strg |
| 42 | 532 16 96-33 | Boot Steering |
| 43 | 532 12 17-49 | Washer 25/32 x 1 1/4 x 16 Ga. |
| 44 | 532 18 06-40 | Extension Steering |
| 46 | 532 12 12-32 | Cap Spindle Fr Top Blk |
| 47 | 532 18 32-26 | Fitting Grease |
| 51 | 873 54 04-00 | Nut Crownlock 1/4-28 |
| 54 | 871 13 04-20 | Bolt Hex 1/4-28unf x 1-1/4 Gr. 8 |
| 65 | 532 16 03-67 | Spacer Brace Axle |
| 67 | 872 11 06-18 | Bolt RdHd Sqnk 3/8-16 x 2-1/4 |
| 68 | 532 16 98-27 | Brace Axle |
| 71 | 532 17 51-46 | Steering Asm |
| 82 | 532 16 98-35 | Bracket Susp Chassis Front |
| 88 | 532 17 51-18 | Bolt shoulder 7/16-20 |
| 91 | 532 17 55-53 | Clip Steering |
| 95 | 532 18 89-67 | Washer Hardened |

NOTE: All component dimensions given in U.S. inches
1 inch = 25.4 mm.

REPAIR PARTS

TRACTOR -- MODEL NUMBER P115T92 (P115T92A), PRODUCT NO. 964 77 50-02
ENGINE



engine-tecumseh_2

REPAIR PARTS

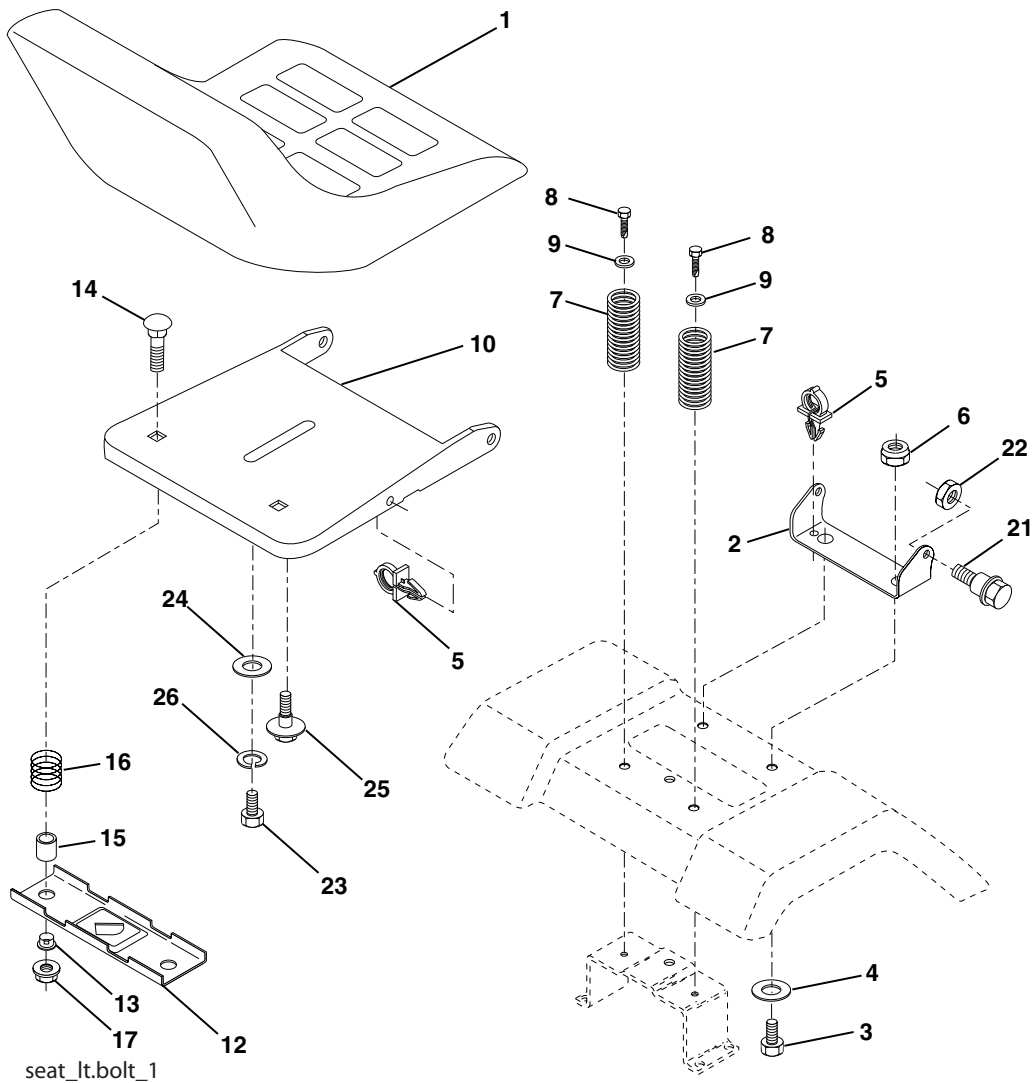
TRACTOR - - MODEL NUMBER P115T92 (P115T92A), PRODUCT NO. 964 77 50-02
ENGINE

| KEY NO. | PART NO. | DESCRIPTION |
|---------|--------------|--|
| 1 | 532 17 08-64 | Control Throttle /Choke |
| 2 | 817 72 04-08 | Screw Hex Thd Cut 1/4-20 x 5/8 T |
| 3 | ----- | Engine Tec Model OV358EA (Order Parts from Engine Manufacturer) |
| 4 | 532 15 67-00 | Muffler Exhaust |
| 13 | --- - - - - | Gasket (Order from Engine Mfg.) |
| 14 | 532 14 84-56 | Tube Drain Oil Easy |
| 23 | 532 16 98-37 | Shield Browning/Debris Guard |
| 29 | 532 13 71-80 | Arrestor Spark |
| 31 | 532 18 49-00 | Tank Fuel |
| 32 | 532 14 05-27 | Cap Asm Fule Top Vent N/Lany |
| 33 | 532 12 34-87 | Clamp Hose Blk |
| 37 | 532 13 70-40 | Line Fuel 20" |
| 38 | 532 18 16-54 | Plug Drain Oil Easy |
| 40 | 532 12 40-28 | Bushing Snap |
| 44 | 817 67 04-12 | Screw Hexwsh Thdrol 3/8-16 x 3/4 |
| 45 | 817 00 06-12 | Screw 3/8-16 x 3/4 |
| 46 | 819 09 14-16 | Washer 9/32 x 7/8 x 16 Ga. |
| 62 | 810 04 05-00 | Washer Lock Hvy HLCL Spr 5/16 |
| 78 | 817 06 06-20 | Screw 3/8-16 x 1-1/4 |
| 81 | 873 51 04-00 | Nut Keps Hex 1/4-20 unc |
| 85 | 532 12 35-28 | Bolt Hex Hd Phillips |

NOTE: All component dimensions given in U.S. inches
1 inch = 25.4 mm

REPAIR PARTS

TRACTOR -- MODEL NUMBER P115T92 (P115T92A), PRODUCT NO. 964 77 50-02
SEAT



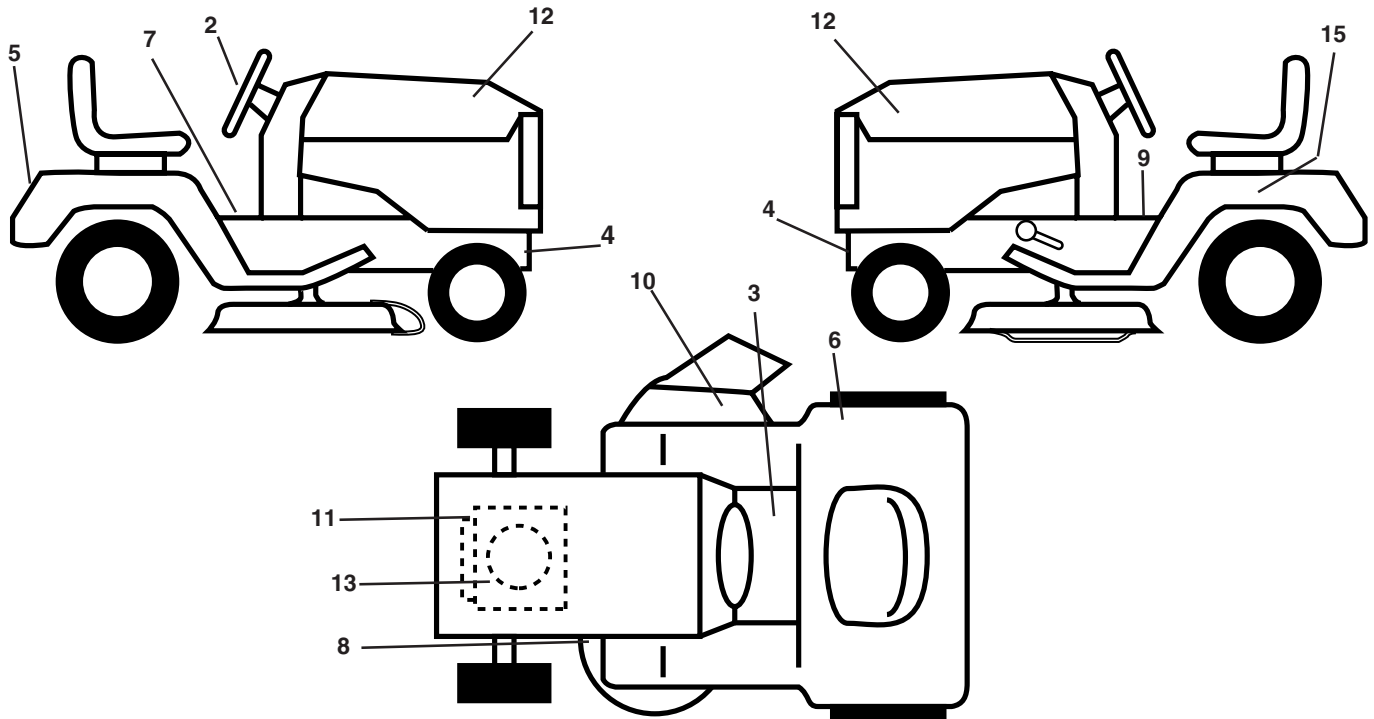
seat_ft.bolt_1

| KEY NO. | PART NO. | DESCRIPTION | KEY NO. | PART NO. | DESCRIPTION |
|---------|--------------|--------------------------------|---------|--------------|------------------------------------|
| 1 | 532 17 53-89 | Seat | 14 | 872 05 04-12 | Bolt Rdhd Sht Nk 1/4 - 20 x 1 -1/2 |
| 2 | 532 14 05-51 | Bracket Seat Pivot | 15 | 532 13 43-00 | Spacer Split .28 x .96 |
| 3 | 871 11 06-16 | Bolt Hex 3/8 - 16 x 1 | 16 | 532 12 12-50 | Spring Cprsn |
| 4 | 819 13 16-10 | Washer 13/32 x 1 x 10 Ga. | 17 | 532 12 39-76 | Nut Lock 1/4 Lge Flg |
| 5 | 532 14 50-06 | Clip Push-In Hinged | 21 | 532 17 18-52 | Bolt Shoulder 5/16-18 unc-2A |
| 6 | 873 80 06-00 | Nut Lock Hex w/Ins 3/8 - 16 | 22 | 873 80 05-00 | Nut Lock Hex w/Ins 5/16 - 18 |
| 7 | 532 12 41-81 | Spring Seat Cprsn 2 250 Blk Zi | 23 | 871 11 08-14 | Bolt Hex Black |
| 8 | 817 00 06-16 | Screw 3/8-16 x 1.5 | 24 | 819 17 19-12 | Washer 17/32 x 1-3/16 x 12 Ga. |
| 9 | 819 13 16-14 | Washer 13/32 x 1 x 14 Ga. | 25 | 532 12 70-18 | Bolt Shoulder 5/16-18 x .62 |
| 10 | 532 18 24-93 | Pan Pnt Seat (Blk) | 26 | 810 04 08-00 | Washer Lock Hvy Hlcl Spr 1/2 |
| 12 | 532 12 12-46 | Bracket Pnt Mounting Switch | | | |
| 13 | 532 12 12-48 | Bushing Snap Blk Nyl | | | |

NOTE: All component dimensions given in U.S. inches
1 inch = 25.4 mm.

REPAIR PARTS

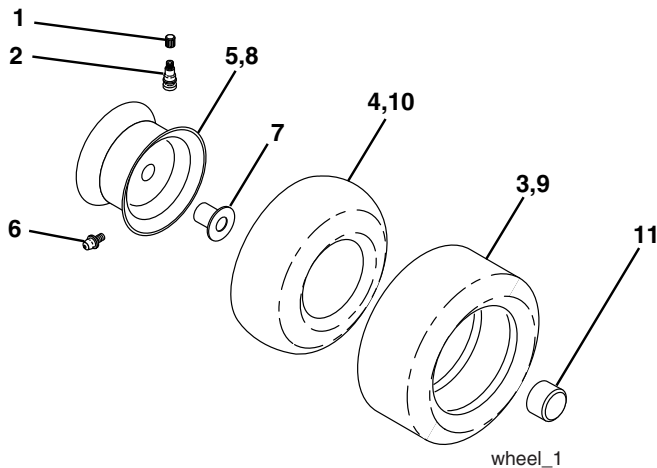
TRACTOR - - MODEL NUMBER P115T92 (P115T92A), PRODUCT NO. 964 77 50-02
DECALS



| KEY NO. | PART NO. | DESCRIPTION |
|---------|--------------|----------------------------|
| 2 | 532 18 56-47 | Decal, Steering Wheel |
| 3 | 532 15 97-37 | Decal, Brake/Clutch |
| 4 | 532 15 97-36 | Decal, Hot Muffler |
| 5 | 532 19 02-71 | Decal, Fender |
| 6 | 532 18 04-32 | Decal, DB/CE |
| 7 | 532 14 54-98 | Decal, Read Owner's Manual |
| 8 | 532 13 68-32 | Decal, V-Belt Sch. |
| 9 | 532 14 08-37 | Decal, Parking Brake |
| 10 | 532 18 21-66 | Decal, Cut Finger |

| KEY NO. | PART NO. | DESCRIPTION |
|---------|--------------|-------------------------------|
| 11 | 532 18 98-86 | Decal, Engine |
| 12 | 532 18 56-46 | Decal, Hood RH/LH |
| 13 | 532 18 69-06 | Decal, Warranty |
| 15 | 532 14 50-05 | Decal, Caution, Battery |
| -- | 532 16 25-98 | Decal, Drawbar |
| -- | 532 13 83-11 | Decal, Handle Lft Height Adj. |
| -- | 532 18 51-49 | Manual, Operator's, Euro |
| -- | 532 18 52-38 | Manual, Operator's, Scan |
| -- | 532 19 02-17 | Manual Parts |

WHEELS & TIRES

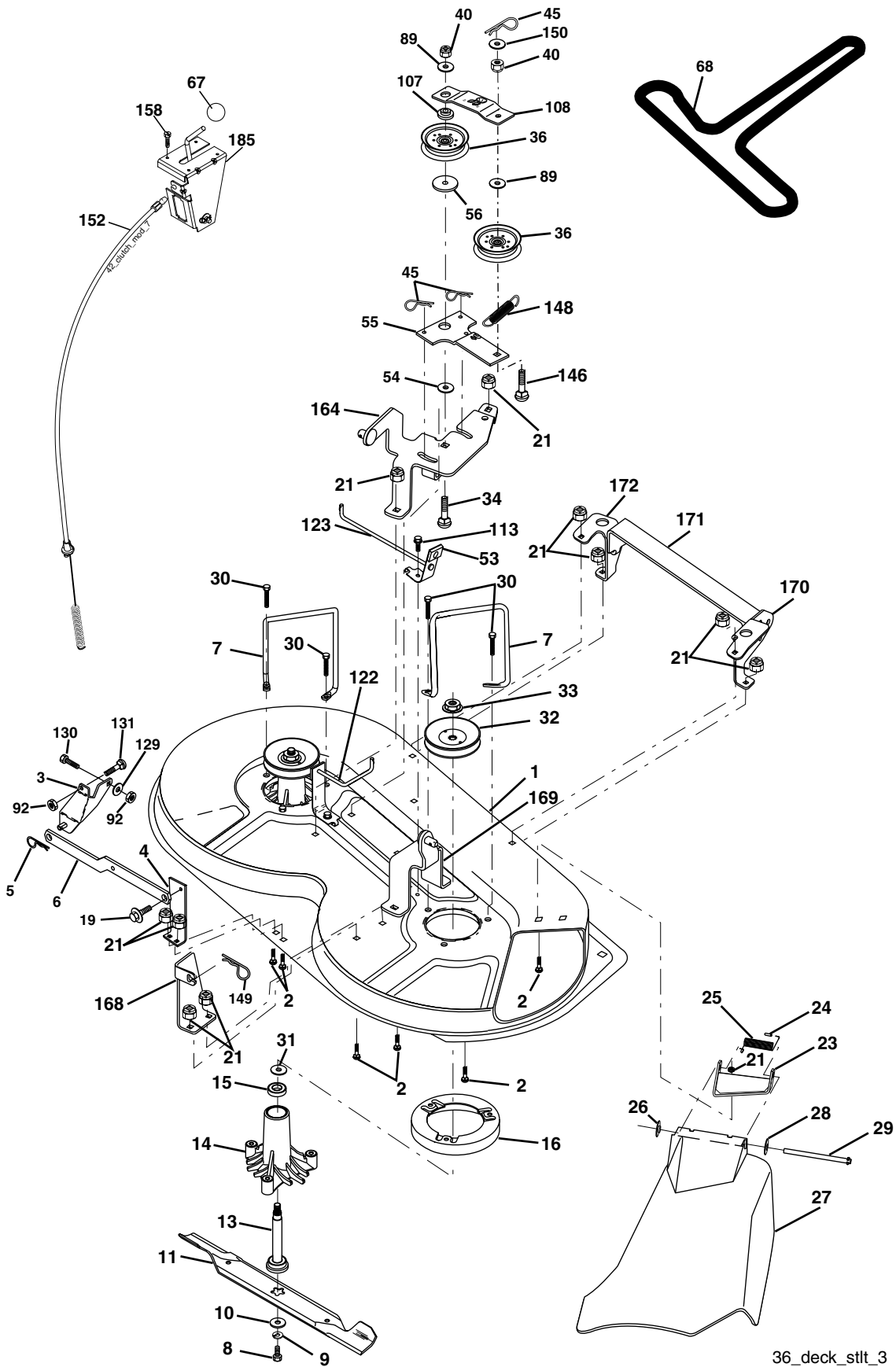


| KEY NO. | PART NO. | DESCRIPTION |
|---------|--------------|------------------------------------|
| 1 | 532 05 91-92 | Cap, Tire valve |
| 2 | 532 06 51-39 | Stem, Valve |
| 3 | 532 12 41-57 | Tire, Front |
| 4 | 532 05 99-04 | Tube, Front (Service item only) |
| 5 | 532 18 33-37 | Rim assembly, 6" front |
| 6 | 532 12 49-57 | Fitting, Grease (Front wheel only) |
| 7 | 532 12 49-59 | Bearing, Flange (Front wheel only) |
| 8 | 532 18 33-38 | Rim assembly, 8" rear |
| 9 | 532 12 39-69 | Tire, Rear |
| 10 | 532 12 49-26 | Tube, Rear (Service item only) |
| 11 | 532 17 50-39 | Cap, Hub Axle |
| -- | 532 14 43-34 | Sealant, Tire (10 oz. Tube) |

NOTE: All component dimensions given in U.S. inches
1 inch = 25.4 mm

REPAIR PARTS

TRACTOR - - MODEL NUMBER P115T92 (P115T92A), PRODUCT NO. 964 77 50-02
MOWER DECK



36_deck_stilt_3

REPAIR PARTS

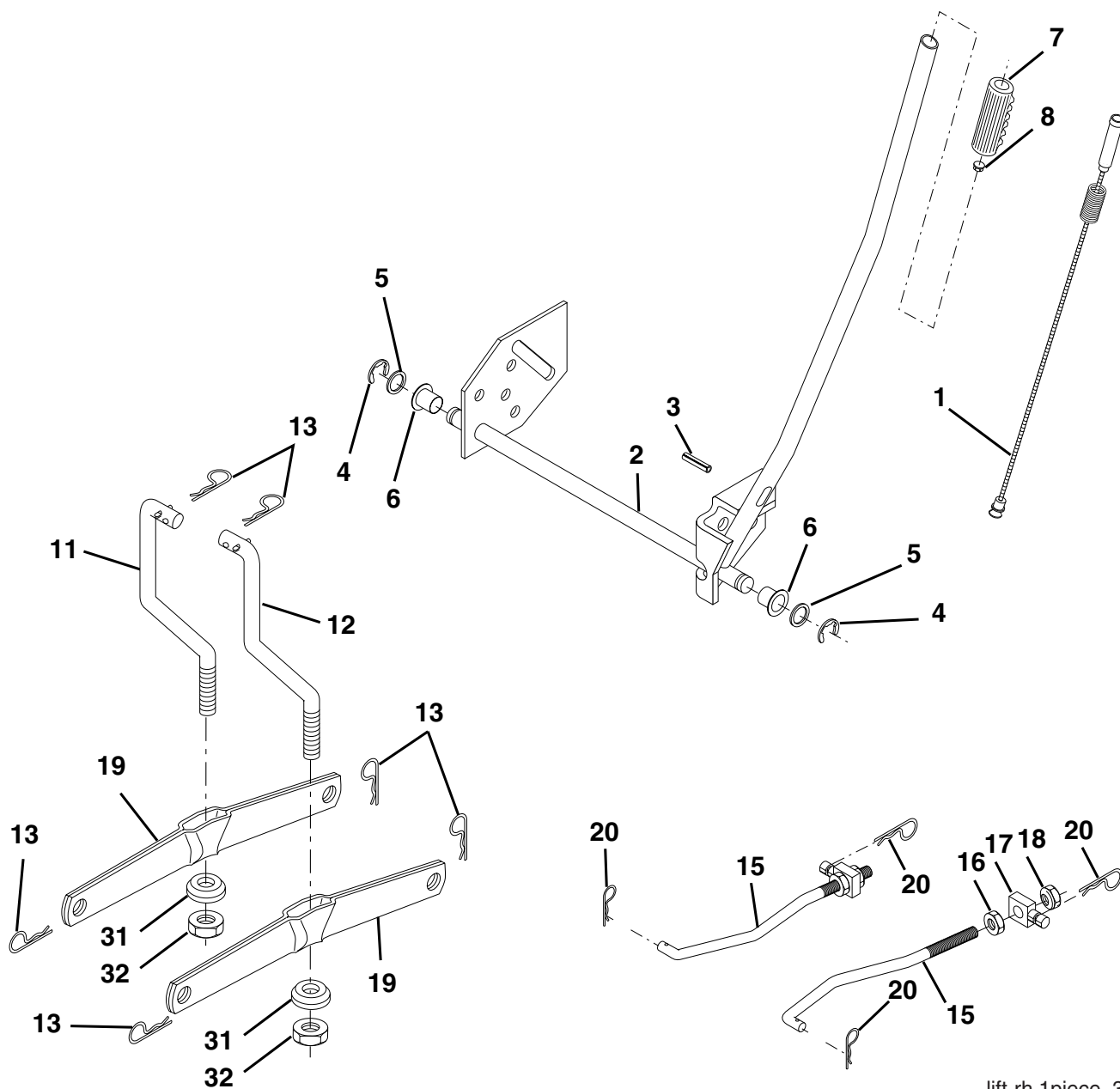
TRACTOR - - MODEL NUMBER P115T92 (P115T92A), PRODUCT NO. 964 77 50-02
MOWER DECK

| KEY NO. | PART NO. | DESCRIPTION | KEY NO. | PART NO. | DESCRIPTION |
|---------|--------------|-------------------------------|---------|--------------|--|
| 1 | 532 17 45-95 | Mower Deck Assembly | 55 | 532 13 38-40 | Idler Arm Assembly |
| 2 | 872 14 05-06 | Bolt | 56 | 532 16 57-23 | Spacer, Retainer |
| 3 | 532 13 80-17 | Bracket Assembly,Sway Bar | 67 | 532 10 69-32 | Knob RD 3/8-16 Plstc Thd |
| 4 | 532 17 56-54 | Bracket Sway Bar | 68 | 532 18 02-13 | Belt |
| 5 | 532 12 46-70 | Retainer Spring | 89 | 819 13 13-11 | Washer 13/32 x 13/16 x 11 Ga. |
| 6 | 532 17 80-24 | Bar Sway Deck | 92 | 873 80 06-00 | Nut Lock Hex w/Ins 3/8-16 |
| 7 | 532 14 06-08 | Keeper Belt | 107 | 532 13 35-02 | Spacer, Retainer |
| 8 | 532 85 08-57 | Bolt, Hex 3/8-24 x 1.25 Gr. 8 | 108 | 532 13 35-03 | Stiffener, Idler Arm |
| 9 | 810 03 06-00 | Washer, Lock Hvy Hlcl 3/8 | 113 | 817 49 05-08 | Screw Thdrol 5/16-18 x 1/2 |
| 10 | 532 14 02-96 | Washer, Hardened | 122 | 532 17 45-05 | Rod, Brake, LH |
| 11 | 532 13 84-96 | Blade, Mower | 123 | 532 17 45-04 | Rod, Brake, RH |
| 13 | 532 13 76-45 | Shaft Assembly, Mandrel, | 129 | 819 13 13-12 | Washer 13/32 x 13/16 x 12 |
| 14 | 532 12 87-74 | Housing, Mandrel, Vented | 130 | 874 78 06-16 | Bolt Fin Hex 3/8-16 x 1 |
| 15 | 532 11 04-85 | Bearing, Ball, Mandrel | 131 | 872 14 06-08 | Bolt Rdhd Sqnk 3/8-16 x 1 |
| 16 | 532 17 44-93 | Stripper, Mower Deck | 146 | 532 16 58-91 | Bolt Carriage Idler |
| 19 | 532 13 28-27 | Bolt, Shoulder | 148 | 532 16 90-22 | Spring Return Idler |
| 21 | 873 68 05-00 | Nut Crownlock 5/16-18 | 149 | 532 16 58-98 | Retainer Spring Yellow Zinc |
| 23 | 532 13 66-31 | Bracket, Mower Deflector | 150 | 819 09 12-10 | Washer 9/32 x 3/4 x 10 Ga. |
| 24 | 532 10 53-04 | Cap, Sleeve | 152 | 532 17 60-79 | Cable Clutch |
| 25 | 532 12 37-13 | Spring, Torsion, Deflector | 158 | 817 72 04-08 | Screw Hex Thd Cut 1/4-20 x 1/2 |
| 26 | 532 11 04-52 | Nut, Push | 164 | 532 17 49-76 | Bracket Asm Idler Support |
| 27 | 532 17 61-62 | Shield, Deflector | 168 | 532 17 23-77 | Bracket Deck Cable |
| 28 | 819 11 10-16 | Washer 11/32 x 5/8 x 16 Ga. | 169 | 532 17 49-77 | Bracket Asm Suspension |
| 29 | 532 12 19-80 | Rod, Hinge | 170 | 532 17 23-59 | Bracket Suspension RF |
| 30 | 532 17 39-84 | Screw Thdrol | 171 | 532 16 52-37 | Bracket Support Susp. Frt |
| 31 | 532 18 76-90 | Washer, Spacer | 172 | 532 17 23-55 | Bracket Suspension LF |
| 32 | 532 15 35-31 | Pulley, Mandrel | 185 | 532 18 82-34 | Head Asm Cable Clutch |
| 33 | 532 17 83-42 | Nut, Toplock, Flanged | -- | 532 13 07-94 | Mandrel Assembly (Includes Hous- ing, Shaft and Shaft Hardware Only - Pulley Not Included) |
| 34 | 872 11 06-14 | Bolt Rdhd 3/8-16 x 1-3/4 | -- | 532 18 13-76 | Replacement Mower, Complete |
| 36 | 532 13 14-94 | Pulley, Idler, Flat | | | |
| 40 | 873 68 06-00 | Nut Crownlock 3/8-16 | | | |
| 45 | 532 12 47-88 | Retainer, Spring | | | |
| 53 | 532 13 08-40 | Brake Assembly | | | |
| 54 | 532 17 85-15 | Washer, Hardened | | | |

NOTE: All component dimensions given in U.S. inches
1 inch = 25.4 mm

REPAIR PARTS

TRACTOR - - MODEL NUMBER P115T92 (P115T92A), PRODUCT NO. 964 77 50-02
MOWER LIFT



| KEY NO. | PART NO. | DESCRIPTION |
|---------|--------------|-------------------------------|
| 1 | 532 15 94-61 | Wire Asm Inner/Sprg w/plunger |
| 2 | 532 15 94-76 | Shaft Asm Lift RH |
| 3 | 532 17 89-81 | Pin Groove |
| 4 | 812 00 00-02 | E Ring #5133-62 |
| 5 | 819 21 16-21 | Washer 21/32 x 1 x 21 Ga |
| 6 | 532 12 01-83 | Bearing Nylon Blk 629 Id |
| 7 | 532 10 94-13 | Grip Handle Bicycle Matte Blk |
| 8 | 532 12 45-26 | Button Plunger Black |
| 11 | 532 13 98-65 | Link Lift LH Fixed Length |
| 12 | 532 13 98-66 | Link Lift RH Fixed Length |
| 13 | 532 12 46-70 | Retainer Spring |

| KEY NO. | PART NO. | DESCRIPTION |
|---------|--------------|--------------------------|
| 15 | 532 17 32-88 | Link Front |
| 16 | 873 35 08-00 | Nut Jam Hex 1/2-13 Unc |
| 17 | 532 17 56-89 | Trunnion |
| 18 | 873 80 08-00 | Nut Lockw/Wsh 1/2-13 Unc |
| 19 | 532 13 98-68 | Arm Suspension Rear |
| 20 | 532 16 35-52 | Retainer, Spring |
| 31 | 532 16 98-65 | Bearing Pvt Lift |
| 32 | 873 54 06-00 | Nut Crownlock 3/8-24 |

NOTE: All component dimensions given in U.S. inches
1 inch = 25.4 mm.