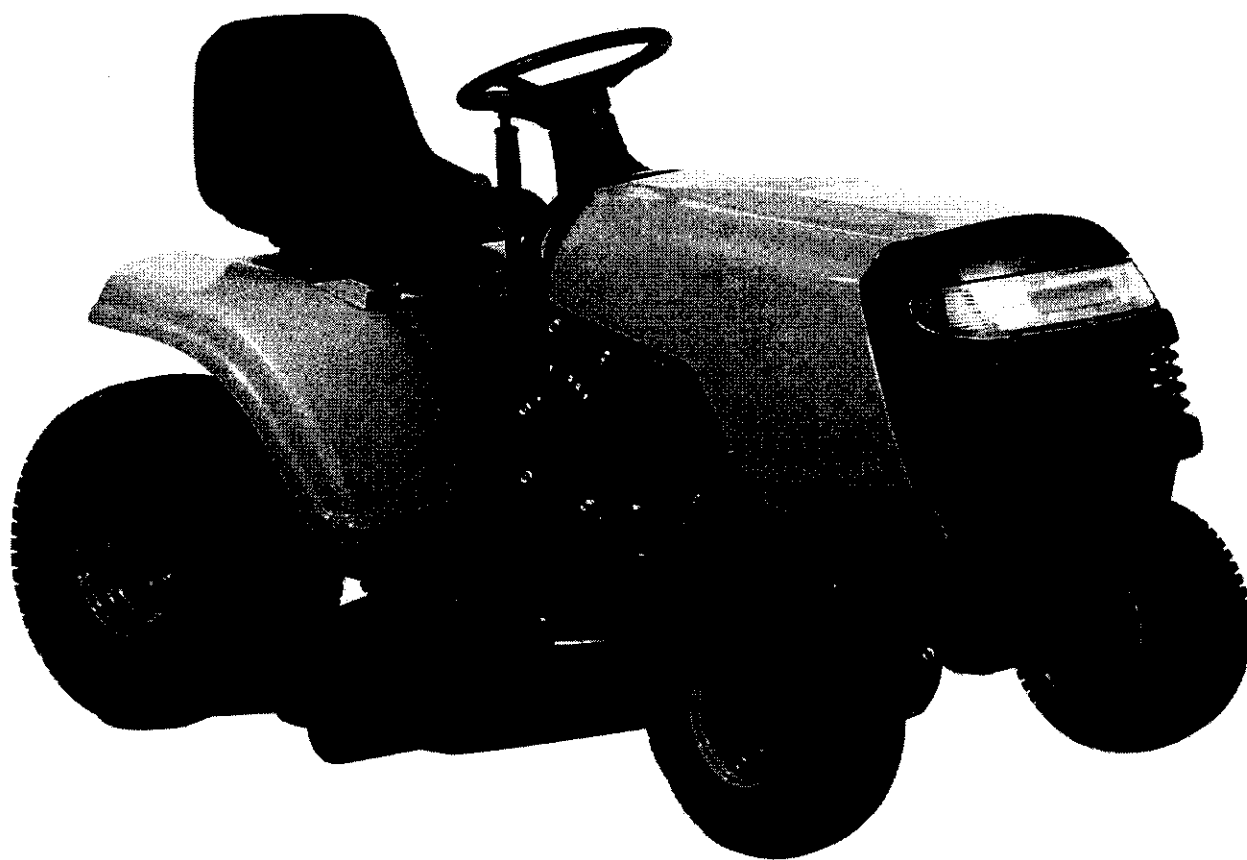


PARTNER

12,5-105 E

1993

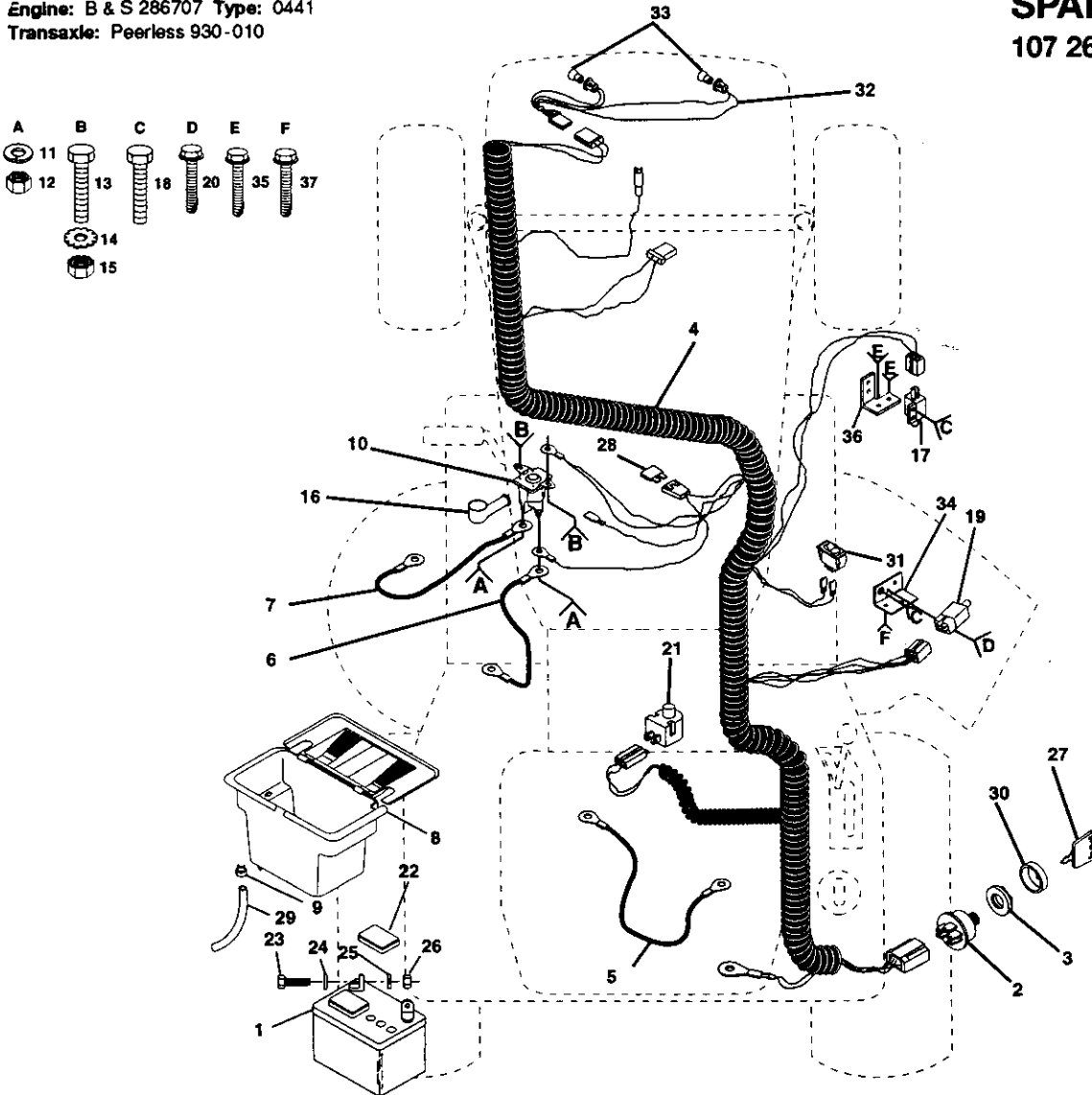




Prod.No: 954 00 12-31
 Engine: B & S 286707 Type: 0441
 Transaxle: Peerless 930-010

SPAREPARTS

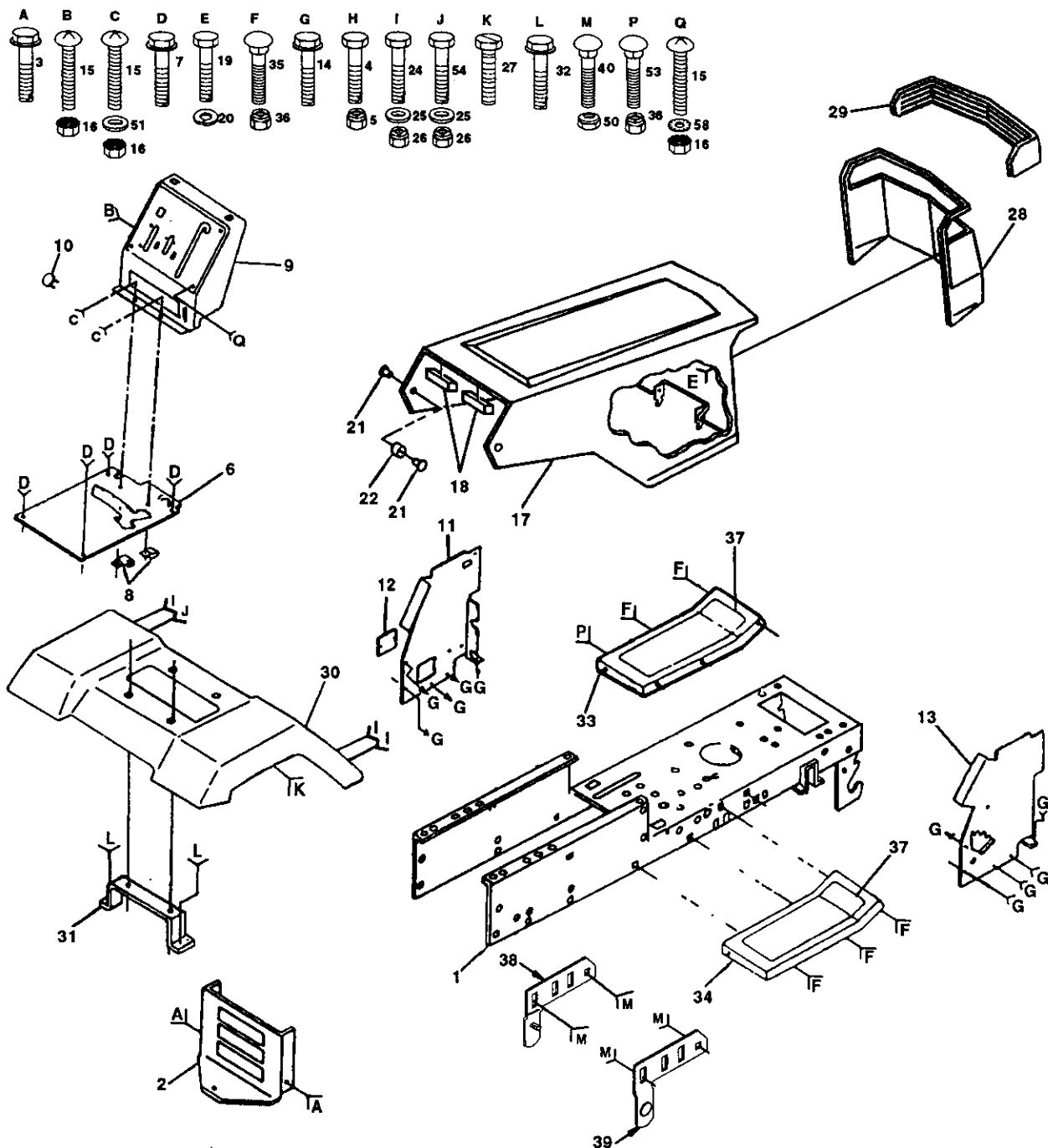
107 26 15-61



Key No.	Part No.	Description
1	5321212-65	Battery 12v 25 AMP
2	5321251-04	Switch Ign 5 Term Wo/wash/nut
3	5321242-11	Nut Ignition
4	5321326-53	Harness Ign Bs Dash Headlights
5	5321247-73	"Cable Ground 6 Ga 12" black
6	5321322-02	"Cable Battery 6 Ga 43" red
7	5320047-99	"Cable Battery 6 Ga 11" red
8	5321299-65	Case Battery Hng Mech W/lid
9	5321095-96	CLAMP Hose Olive
10	5321099-46	Solenoid
11	8100904-00	Washer Lock 1/4
12	8733504-00	Nut Jam Hex 1/4-20 Unc
13	8747804-08	Bolt Fin Hex 1/4-20uncx1/2 Gr5
14	8110504-00	Washer Lock Ext Tooth 1/4
15	8735104-00	Nut Keys Hex 1/4-20 Unc
16	5321315-63	Cover Terminal Red
17	5321095-53	Switch Intlk Clutch Red 4 Term
18	8170210-08	Screw Tap Hex #10-24unc X 1/2
19	5321044-45	Switch Intlk Clutch Red 2 Term
20	8170210-08	Screw Tap Hex #10-24unc X 1/2
21	5321213-05	Switch Plunger Nc Gray

Key No.	Part No.	Description
22	5321212-64	Caps Battery 20/25/30 AMP
23	8747604-12	Bolt Hex Hd 1/4-20unc X 3/4
24	8190910-16	Washer 9/32 X 5/8 X 16 Ga
25	8100404-00	Washer Lock Hvy Helical 1/4
26	8732204-00	Nut Fin Hex 1/4-20 Unc
27	5321221-47	Key Ign Molded Generic
28	5321088-24	Fuse 30 AMP Auto Green
29	5321092-38	"Tube Plastic 12"
30	5321236-20	Cover Sw Key Blk 1 25 Text SLT
31	5321107-12	Switch Light Blk Blk Red
32	5321368-49	Harness Asm Light W/7662j
33	5320076-62	Bulb Light #1141
34	5321308-90	Bracket Switch Interlock
35	8170210-08	Screw Tap Hex #10-24unc X 1/2
36	5321082-36	Bracket Switch Clutch
37	8170210-08	Screw Tap Hex #10-24unc X 1/2

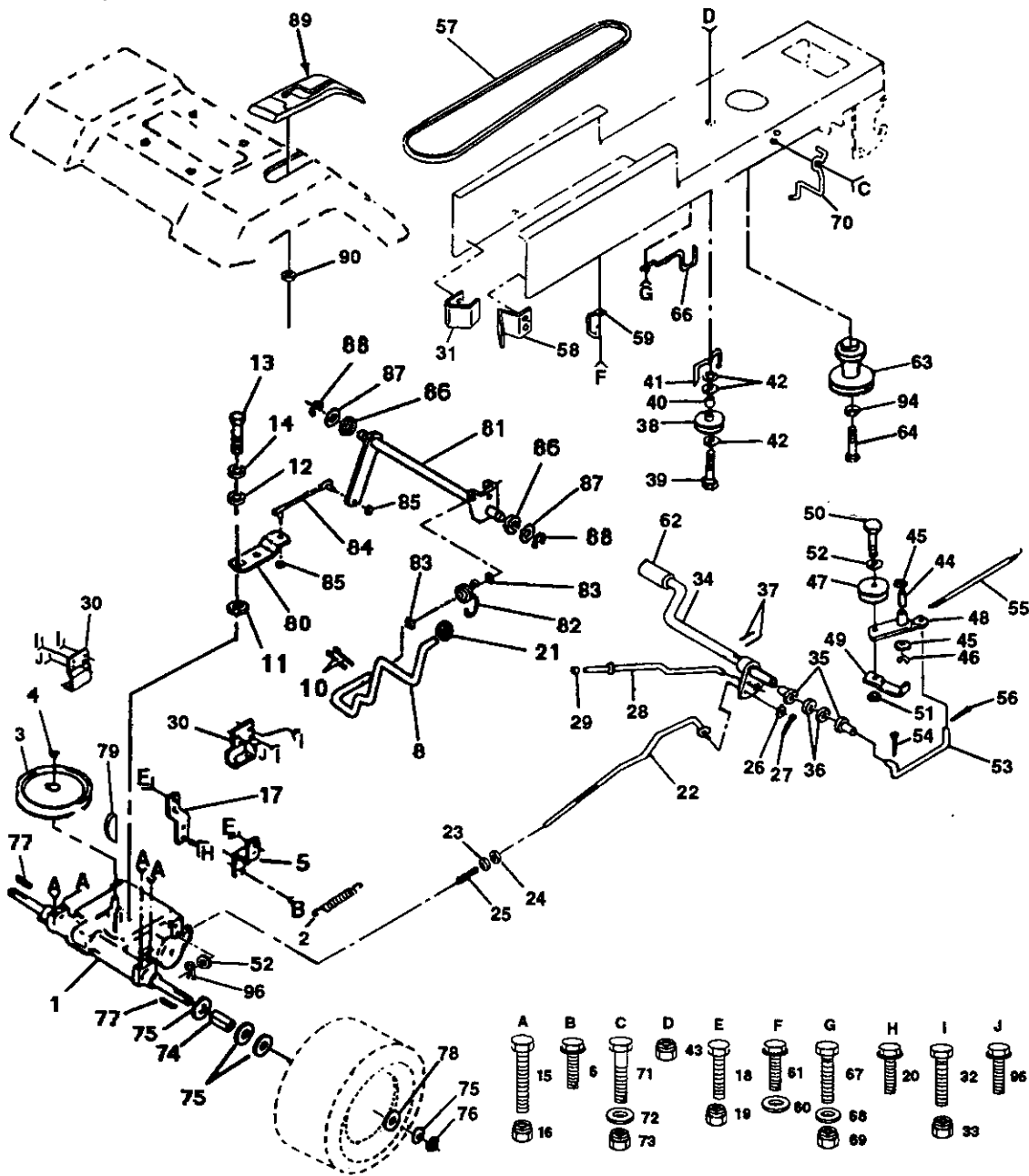
NOTE: All component dimensions given in U.S. inches.
 1 inch = 25.4 mm



NOTE: All component dimensions given in U.S. inches.
1 inch = 25.4 mm

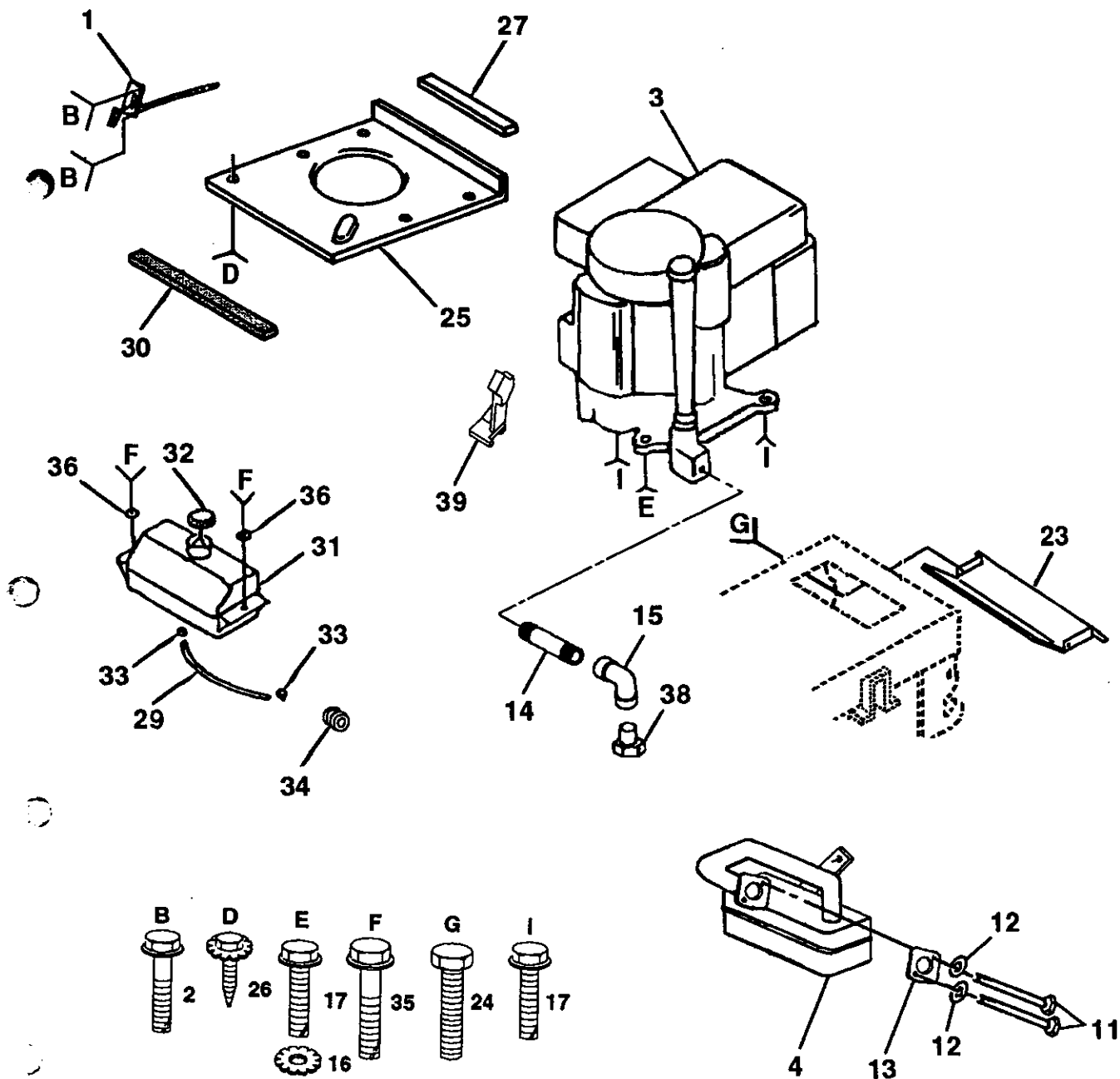
Key No.	Part No.	Description
1	5321350-34	Chassis Wldmt 12 Ga 38/42 W/pvt
2	5321372-75	Drawbar LT/YT 12 Ga
3	8174906-12	Screw Thdrol 3/8-16x3/4 Ty-tt
6	5321383-31	Saddle Silkscr 5sp P W/o Inf Sy
7	8174906-08	Screw Thdrol 3/8-16x1/2 Ty-tt
8	5321264-71	Clip Insulator 406 Mtg Hole
9	5321383-32	Dash Silkscr 1-pc M W/i N/c Sym
10	5320054-79	Plug Button Blk 359 Dia Choke
11	5321227-95	Panel Dash LH
12	5321217-94	Cover Access Black Square
13	5321248-29	Panel Silkscr Dash RH Wld Notch
14	8174906-08	Screw Thdrol 3/8-16x1/2 Ty-tt
15	8741805-12	Screw Mach TRHD 5/16-18uncx3/4
16	8735105-00	Nut Keps 5/16-18 Unc
17	5321314-45	Hood Asm Pnt Weld Yel Slope
18	5321269-38	Bumper Pnt
19	8747604-08	Bolt Fin Hex 1/4-20unc X 1/2
20	8100404-00	Washer Lock Hvy Helical 1/4
21	5321229-33	Rivet Ratchet Nylon
22	5321244-79	Washer Nylon Blk 28x 75x 19
24	8747606-12	Bolt Fin Hex 3/8-16unc X 3/4

Key No.	Part No.	Description
25	8191313-12	Washer 13/32 X 13/16 X 12 Ga
26	8736806-00	Nut Crownlock 3/8-16 Unc
27	8174906-08	Screw Thdrol 3/8-16x1/2 Ty-tt
28	5321239-15	Grille Grey
29	5321240-29	Lens Headlight Bar Clear
30	5321251-23	Fender Pnt
31	5321366-19	Bracket Fender Repl 109873x
32	8174906-12	Screw Thdrol 3/8-16x3/4 Ty-tt
33	5321248-99	Footrest Pnt LH (Husq Gray)
34	5321249-14	Footrest Pnt RH (Husq Gray)
35	8721106-06	Bolt Rdhd Sht Sqnk 3/8-16 X3/4
36	8736806-00	Nut Crownlock 3/8-16 Unc
37	5321082-56	Pad Footrest Abrasive LT
38	5321347-74	Bracket Asm Pvt42 LH MWR Rear
39	5321347-75	Bracket Asm Pvt42 RH MWR Rear
40	8721406-08	Bolt Rdhd Sqnk 3/8-16unc X 1
50	8738006-00	Nut Lock Hex W/wsh 3/8-16unc
51	8191316-14	Washer 13/32 X 3/4 X 16 Ga
53	8110506-00	Bolt Rdhd Sqnk 3/8 - 16 x 1
58	8110506-00	Washer, Lock ext. tooth 3/8



NOTE: All component dimensions given in U.S. inches.
1 inch = 25.4 mm

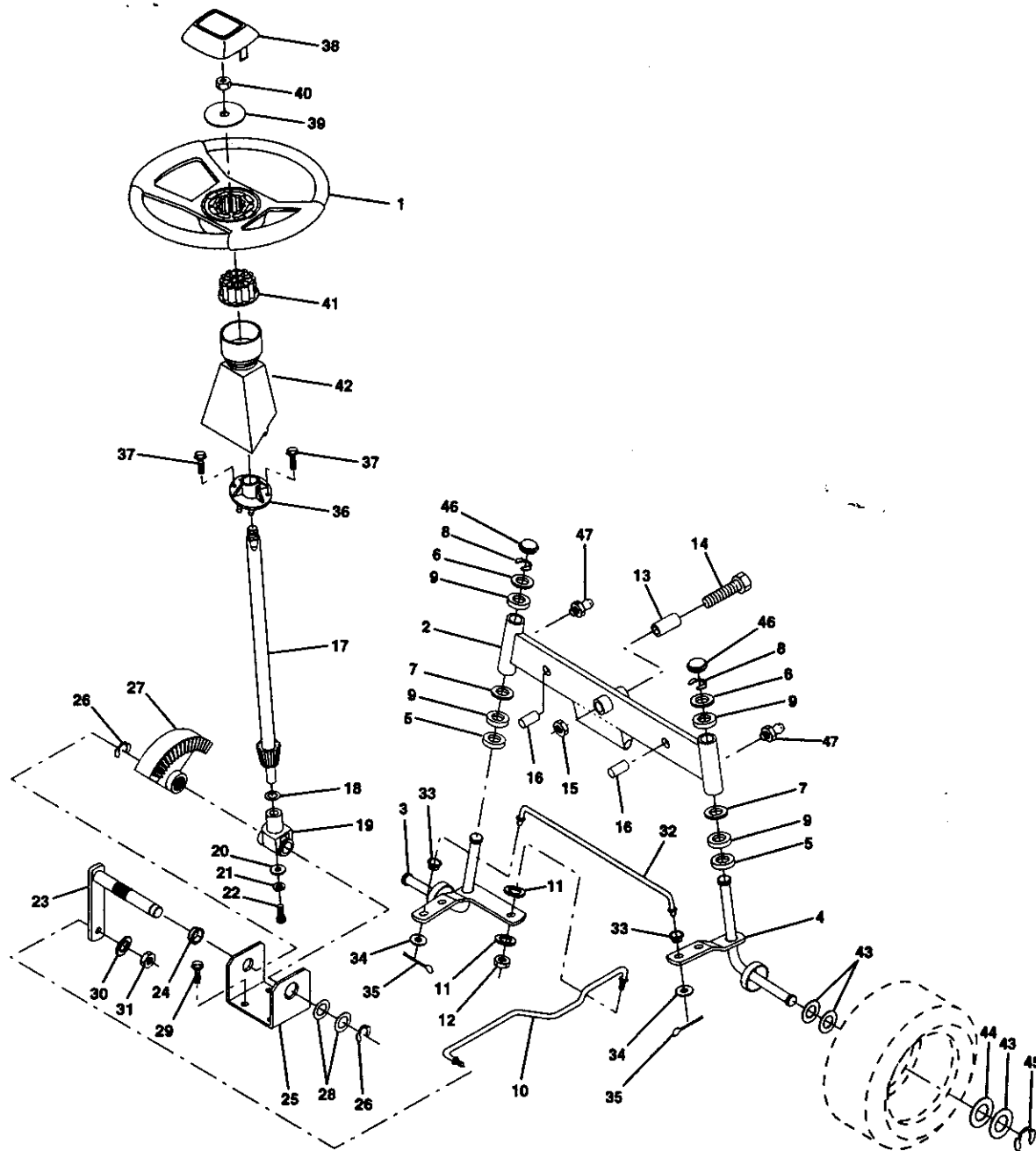
Key No.	Part No.	Description	Key No.	Part No.	Description	Key No.	Part No.	Description
1		Transaxle 6sp 930 Peerless LT Model# 930-010	33	8736805-00	Nut Crownlock 3/8-16 Unc	64	8711707-64	Bolt Hex 7/16-20x4 Gr 5
2	5321104-22	Spring Return Brake T/a Zinc	34	5321224-24	Shaft Asm Pedal Foot 1 930	66	5321299-21	Keeper Belt Engine LH LT
3	5321236-66	"Pulley Transaxle 18" tires	35	5321001-83	Bearing Nylon Blk 629 Id	67	8747606-16	Bolt Fin Hex 3/8-16unc X 1
4	8120000-68	Ring Retainer # 5100-62	36	8192116-16	Washer 21/32 X 1 X 16 Ga	68	8191313-12	Washer 13/32 X 13/16 X 12 Ga
5	5321215-20	Strap Torque 30 Degrees	37	5320028-82	"Pin Roll 3/16 X 1"	69	8736806-00	Nut Crownlock 3/8-16 Unc
6	8174905-12	Screw Thdrol 5/16-18 X 3/4 TYT	38	5321236-74	Pulley Idler Flat	70	5321346-83	Guide Belt Mower Drive RH
8	5321272-70	Rod Shift Blk Peerless 930	39	8747606-44	Bolt Fin Hex 3/8-16unc X 2-3/4	71	8747606-16	Bolt Fin Hex 3/8-16unc X 1
10	8760204-16	Pin Cotter 1/8 X 1 Cad	40	5321249-65	Spacer Split 395 X 59 Bzp	72	8191320-12	Washer 13/32 X 1-1/4 X 12 Ga
11	5321057-01	Washer Plate Shf 388 Sq Hole	41	5321090-70	Keeper Belt Retainer	73	8736806-00	Nut Crownlock 3/8-16 Unc
12	8190912-10	Washer 9/32 X 3/4 X 10 Ga	42	8191313-12	Washer 13/32 X 13/16 X 12 Ga	74	5321370-57	Spacer Axle
13	8710404-12	Bolt Fin Hex 1/4-28unf3/4 Gr8	43	8736806-00	Nut Crownlock 3/8-16 Unc	75	5321217-49	Washer 25/32 X 1 1/4 X 16 Ga
14	8100404-00	Washer Lock Hvy Helical 1/4	44	5321057-06	Bearing Nyl 503 X 628 X 1 25	76	8120000-01	E-ring #5133-75
15	8747805-36	Bolt Hex 5/16 - 18 x 2 1/4	45	5321108-12	Washer Hardened	77	5321235-83	Key Square 2 0 X 1845/ 1865
16	8736805-00	Nut Crownlock 5/16 - 18	46	8120000-39	Ring Klip #15304-50	78	5321217-48	Washer 25/32 X 1-5/8 X 16 Ga
17	5321272-85	Strap Torque	47	5321277-83	Pulley Idler V Groove Plastic	79	5321250-96	Key Woodruff #9 3/16 X 3/4
18	8747606-12	Bolt Fin Hex 3/8-16unc X 3/4	48	5321237-89	Bellcrank Asm Clutch	80	5321314-86	Arm Shift Transaxle
19	8736806-00	Nut Crownlock 3/8-16 Unc	49	5321232-05	Retainer Belt Style Spring	81	5321289-32	Shaft Asm Cros
20	8174905-12	Screw Thdrol 5/16-18 X 3/4 TYT	50	8747606-24	Bolt Hex Hd 3/8-16unc X 1-1/2	82	5321237-82	Spring Torson
21	5321069-33	Knob Rd 1/2-13 Plstic Thds Blk	51	8736806-00	Nut Crownlock 3/8-16 Unc	83	8191712-16	Washer 17/32 x 3/4 x 16 Ga.
22	5321308-04	Rod Brake LT	52	8191313-16	Washer 13/32 X 13/16 X 16 Ga	84	5321237-93	Rod Link Shift
23	8738006-00	Nut Lock Hex W/wsh 3/8-16unc	53	5321057-10	Link Clutch 7 66	85	8735304-00	Nut Nylock 1/4 - 28
24	8733506-00	Nut Hex Jam 3/8-16 Unc	54	8760204-12	Pin Cotter 1/8 X 3/4 Cad	86	5320712-08	Bushing Rod Steering
25	5321068-88	Spring Rod Brake 2 00 Zinc	55	5321057-09	Spring Return Clutch 6 75	87	7341185-71	Washer 21/32 x 1 1/4 x 16 Ga.
26	8191313-16	Pin Cotter 1/8 X 3/4 Cad	56	8760204-12	Pin Cotter 1/8 X 3/4 Cad	88	8120000-08	Ring Klip
27	8760204-12	Pin Cotter 1/8 X 3/4 Cad	57	5321382-55	V-Belt Ground Drive 90 00	89	5321316-36	Console Shift 6 ft
28	5321289-04	Rod Brake Parking LT	58	5321272-74	Keeper Belt RH LT Pnt/zinc 16g	90	5321243-46	Nut Self Thd Wsh hd 1/4
29	5320716-73	Cap Brake Parking Black	59	5321367-15	Keeper Belt Chassis Span Ctr	94	8100407-00	Washer Lock Hvy Hcl Spr 7/16
30	5321091-67	Bracket Transmission	60	8191313-12	Washer 13/32 X 13/16 X 12 Ga	95	8174906-12	Screw Thdrol 3/8 - 16 x 3/4
31	5321272-75	Keeper Belt LH LT 14 Ga	61	8174906-12	Screw Thdrol 3/8-16x3/4 Ty-ft	96	5321247-88	Spring, Retainer
32	8747605-12	Bolt Fin Hex 5/16 - 18 x 3/4	62	5321248-72	Cover Pedal Blk Round			
			63	5321348-25	Engine Pulley LT/YT			



NOTE: All component dimensions given in U.S. inches.
1 inch = 25.4 mm

Key No.	Part No.	Description
1	5321326-23	Control Th/ch RH Blk Tee Eec
2	8177204-10	Screw Hex Thd Cut 1/4-20x5/8 T
3	-----	Engine B&S 12HP 1/c Dual 1 Vt Model# 286707
4	5321373-48	Muffler LT B&S 12/12 5 HP
11	8710705-10	Screw Hexhd Cap 5/16-18x5/8
12	8100405-00	Washer Lock Hvy Hlcl Spr 5/16
13	5321255-93	Gasket Eng 1 313 Id Tin Plated
14	8132803-24	"Nipple Pipe 3/8 Npt X 3"
15	8130003-00	Elbow Std 90 Degree 3/8-18 Npt
16	8110506-00	Washer Lock Ext Tooth 3/8
17	8174906-20	Screw Thdrol 3/8-16x1-1/4 TYT
23	5321289-53	Shield Heat Browning LT/YT
24	8170210-08	Screw Tap Hex #10-24unc X 1/2

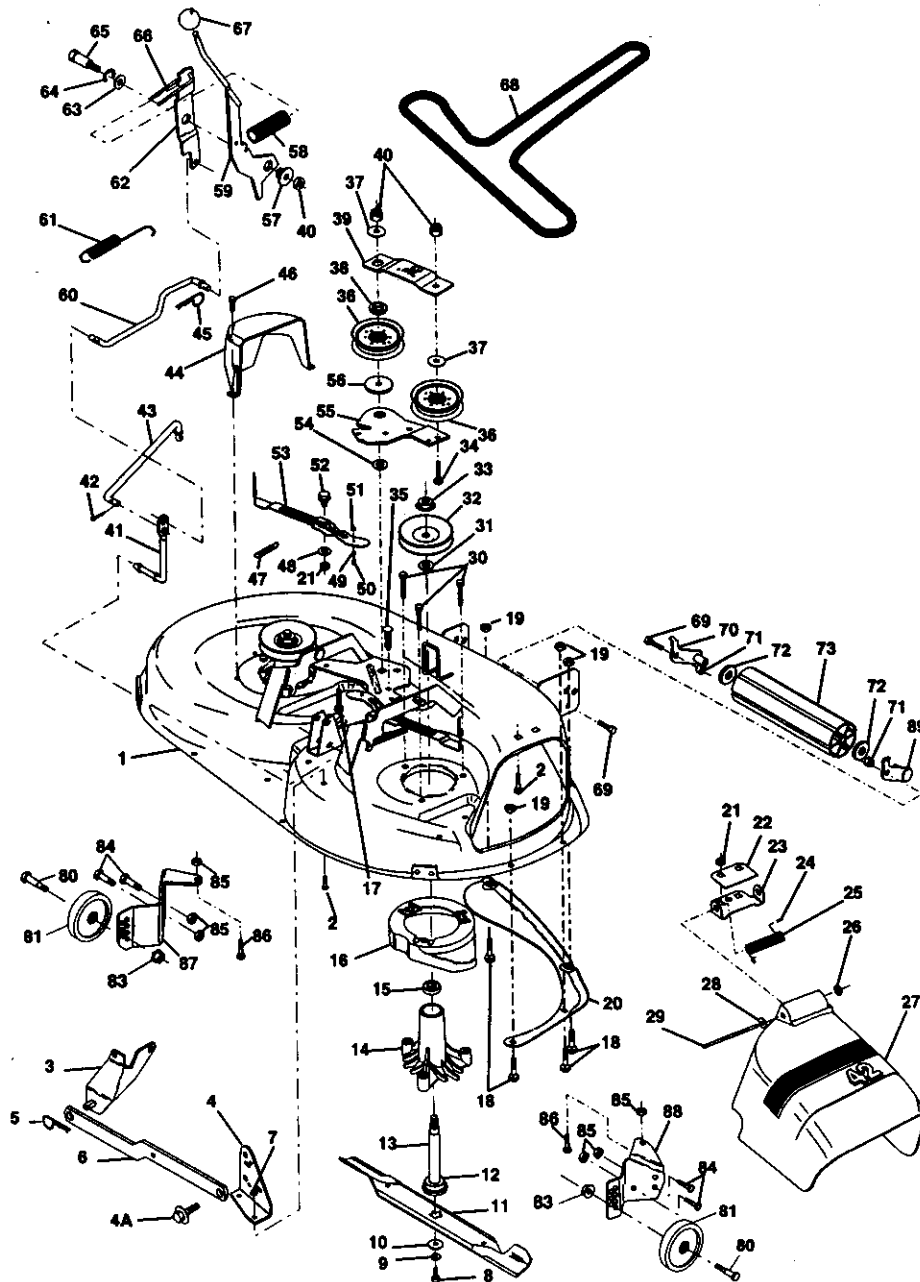
Key No.	Part No.	Description
25	5321240-27	Shield Heat Hood LT
26	8170308-08	Screw Spiderloc Hexhd#8x1/2 Ab
27	5321050-37	"Strip Foam 18"
29	5321013-35	"Line Fuel 9 50"
30	5321270-57	Pinch Weld Hood Black 2 00
31	5321092-02	Tank Fuel Front 1 25
32	5321235-49	Cap Asm Fuel W/sym Vented
33	5321234-87	CLAMP Hose Blk
34	5321240-28	Bushing Snap Nyl Blk Fuel Line
35	8174904-12	Screw Hexwsh Thdrol 1/4-20x3/4
36	8190914-16	Washer 9/32 X 7/8 X 16 Ga
38	-----	Plug Oil Drain (Order From Engine Manufacturer)
39	5321279-51	Stop Throt 2700 Rpm



Key No.	Part No.	Description
1	5321214-72	Wheel Steering Auto Black
2	5321339-88	Axle Asm Fr LT W/gzks 38/42
3	5321352-27	Spindle Asm LH
4	5321352-28	Spindle Asm RH
5	5321249-31	Bearing Race Thrust Harden
6	5321217-48	Washer 25/32 X 1-5/8 X 16 Ga
7	8192720-16	Washer 27/32 X 1-1/4 X 16 Ga
8	8120000-29	Ring Klip #15304-75
9	5321249-37	Bearing Col Strg Blk
10	5321304-68	Link Drag Sol Ball Jt 20 064
11	8100406-00	Washer Lock Hvy Hlcl Spr 3/8
12	8736106-00	Nut Fin Hex 3/8-24 Unf
13	5321104-38	Spacer Bearing Axle Front
14	8740110-56	Bolt Hex 5/8-11 Unc X 3-1/2
15	8739010-00	Nut Lock Flange 5/8-11 Unc
16	5321326-24	Pin Axle 5/8 X 1 55/1 54 Lg
17	5321326-14	Shaft Asm Strg 5/8 X 15 19 LT
18	5320570-79	Washer Thrust 515x 750x 033
19	5321240-35	Support Shaft
20	5321266-84	Washer Shim 1/4 X 5/8 X 062
21	8100404-00	Washer Lock Hvy Helical 1/4
22	8710704-10	Screw Hex Socket 1/4-20 X 5/8
23	5321275-01	Shaft Asm Pittman
24	5321098-16	Nyliner Snap In
25	5321240-36	Bracket Steering

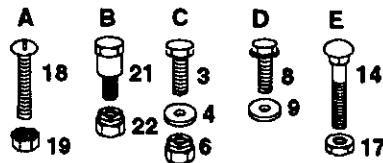
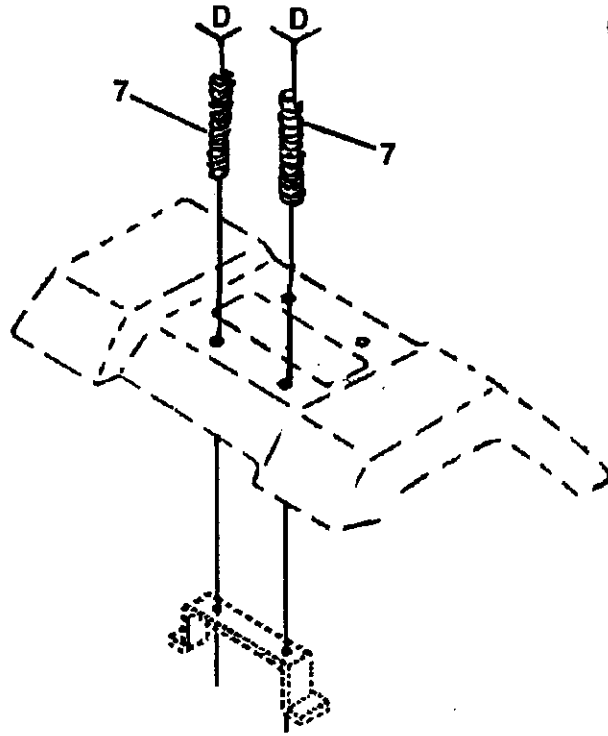
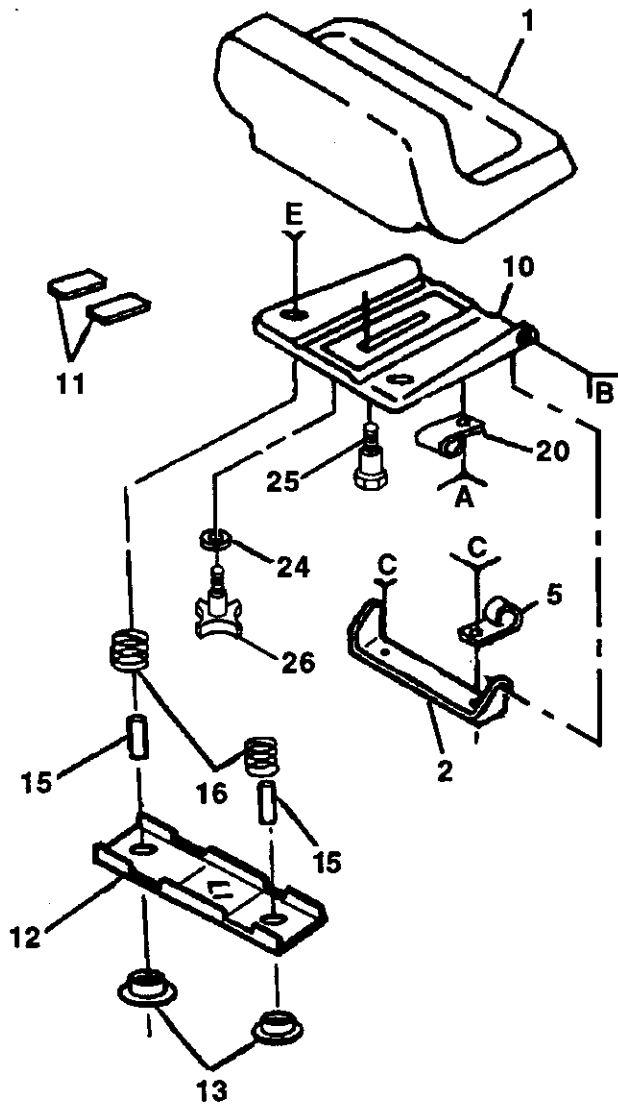
Key No.	Part No.	Description
26	8120000-29	Ring Klip #15304-75
27	5321368-74	Gear Sector
28	5321249-31	Bearing Race Thrust Harden
29	8174906-12	Screw Thdrol 3/8-16x3/4 Ty-tt
30	8100406-00	Washer Lock Hvy Hlcl Spr 3/8
31	8736106-00	Nut Fin Hex 3/8-24 Unf
32	5321304-65	Rod Tie Wire Form 19 75 Mech
33	5321268-47	Bushing Link Drag Blk LR
34	8191314-16	Washer 13/32 X 7/8 X 16 Ga
35	8760204-12	Pin Cotter 1/8 X 3/4 Cad
36	5321321-96	Bushing Strg 5/8 Id Dash
37	8174310-08	Screw Sift #10-16 X 1/2 Ty-b
38	5321268-05	Insert Cap Strg Wh Au Gen Blk
39	8191338-08	Washer 13/32 X 2-3/8 X 8 Ga
40	5321247-01	Nut Lock Center 3/8-24unf
41	5321048-20	Adaptor Wheel Strg 640/ 635id
42	5321244-18	Boot Shaft Steering Blk
43	5321217-49	Washer 25/32 X 1 1/4 X 16 Ga
44	5321217-48	Washer 25/32 X 1-5/8 X 16 Ga
45	8120000-29	Ring Klip #15304-75
46	5321212-32	Cap Spindle Fr Top Blk
47	5321248-36	Fitting Grease

NOTE: All component dimensions given in U.S. inches.
1 inch = 25.4 mm



NOTE: All component dimensions given in U.S. inches
1 inch = 25.4 mm

Key No.	Part No.	Description	Key No.	Part No.	Description	Key No.	Part No.	Description
1	5321380-24	"Deck Asm MWR 42" weldment	28	8191110-16	Washer 11/32 X 5/8 X 16 Ga	56	5321220-52	Spacer Retainer Pm Mower
2	8721405-06	Bolt Rdhd Sqnk 5/16-18unc X3/4	29	5321314-91	"Rod Hinge 42" 6 75 Wig "	57	5321274-98	Bushing 747 Od X 794 Lg Brass
3	5321380-17	Bracket Asm Fr Sway Bar 38/42	30	5320781-58	Bolt 5/16-18 X 1 25 Tt	58	5321287-59	Spring Clutch Mower 2 750 Zinc
4	5321384-40	"Bracket Asm Deck 42" sway Bar "	31	5321299-63	Washer Spacer Mower Vented	59	5321335-73	Arm Asm Clutch Primary
4a	5321328-27	Bolt Shoulder	32	5321296-61	"Pulley Mandrel 42"	60	5321348-66	Rod Clutch Primary 38/42
5	5321246-70	Retainer Spring	33	8730509-00	Nut 9/16 Top Lock Fing Oil Dip	61	5321318-70	Spring Return
6	5321308-32	Arm Suspension Rear	34	8721106-14	Bolt Rdhd 3/8-16uncx1-3/4 Gr5	62	5321278-47	Arm Clutch Secondary
7	8738005-00	Locknut-hex W/ins 5/16-18unc P	35	5321338-35	Fastner Christmas Tree	63	5321217-48	Washer 25/32 X 1-5/8 X 16 Ga
8	5328508-57	Bolt 3/8 - 24 X 1.25	36	5321314-94	Pulley Idler Flat 3 060	64	8120000-29	Ring Klip #5304-75
9	8100306-00	Washer Lock Hvy 3/8	37	8191381-12	Washer 13/32 X 1 X 12 Ga	65	5321289-03	Bolt Shoulder 3/8-16 Unc 1 44
10	5321299-62	Washer Hard Blade Mower Vented	38	5321335-02	"Spacer Arm Idler Upper Hdn 42"	66	5321278-45	Keeper Spring 4 000
11	5321384-98	"Blade Mower High Perf 42"	39	5321335-03	"Stiffener Arm Idler Upper 42"	67	5321069-32	Knob Rd 3/8-16 Plstc Thds Blk
12	5321298-95	Bearing Ball	40	8736806-00	Nut Crownlock 3/8-16 Unc	68	5321309-89	"V-Belt Mower 42" 92 40 "
13	5321331-72	Shaft Asm W/lower Bearing	41	5321335-51	Rod Pivot W/nibs	69	8747606-16	Bolt Hex 3/8 - 16 X 1
14	5321287-74	Housing Mandrel Vented	42	8760203-12	Pin Cotter 3/32 X 3/4 Cad	70	5321322-74	Bracket Asm Noseroller Lh
15	5321104-85	Bearing Ball Mandrel	43	5321335-04	Rod Clutch Secondary W/nibs	71	8736806-00	Nut Crownlock 3/8 - 16
16	5321369-29	Stripper Mower Vented	44	5321342-36	Guard Mandrel LH Black	72	8192114-16	Washer 17/32 X 7/8 X 16 Ga
17	8721106-18	Bolt Rdhd Sqnk 3/8-16 X 2-1/4	45	5321247-88	"Spring Retainer 1" Zinc/cad "	73	5321322-64	Roller Nose 38 & 42
18	8721405-05	Bolt Rdhd Sqnk 5/16-18 X 5/8	46	8177204-10	Screw Hex Thd Cut 1/4-20x5/8 T	80	5321248-42	Bolt Shld
19	8738005-00	Locknut-hex W/ins 5/16-18unc P	47	5321313-35	Spring Extension	81	5321054-55	Wheel Guage
20	5321368-88	Baffle Vortex 42	48	5321339-44	Washer Hardened Smaller	83	8738006-00	Nut Lock Hex W/wsh 3/8 - 16
21	8736805-00	Nut Crown Lock 5/16-18	49	5321339-40	"Roller Asm Cam Follower 42" dec"	84	8747605-12	Bolt Hex Hd 5/16-18unc X 3/4
22	5321347-53	"Stiffener Bracket 42" deck "	50	5321313-40	"Bolt Shldr 10-24 Zinc Gr 5 42"	85	8735105-00	Nut Keps 5/16 - 18
23	5321312-67	"Bracket Deflector Mower 42"	51	5320691-80	Nut Lock #10-24 Unc	86	8721105-05	Bolt Carr 5/16-unc X 1/2
24	5321053-04	Cap Sleeve 80x 112 Blk Mower	52	5321055-29	Bolt Shoulder 5/16-18 Unc Blkz	87	5321322-63	Bracket Guage Wheel Lh
25	5321237-13	Spring Torsion Deflector 2 52	53	5321318-45	Arm Asm Pad Brake	88	5321322-62	"Bracket Guage Wheel RH 42" dec "
26	5321104-52	Nut Push Phos & Oil	54	5321339-43	Washer Hardened	89	5321322-73	Bracket Asm Noseroller Rh
27	5321309-68	"Shield Deflector Mower 42" Blk"	55	5321338-44	"Arm Idler 42" mower LT/YT "		5321307-94	Mandrel Asm Service



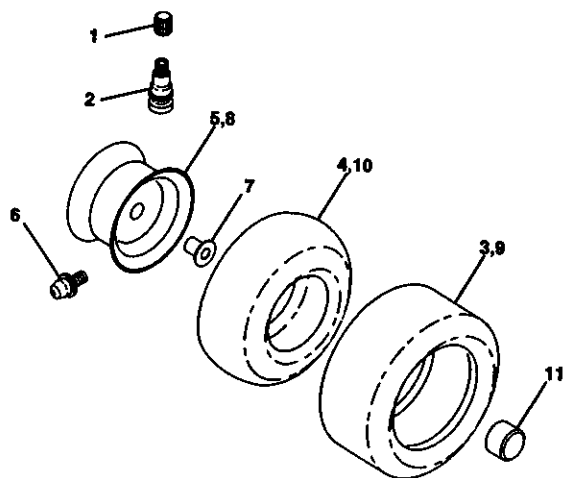
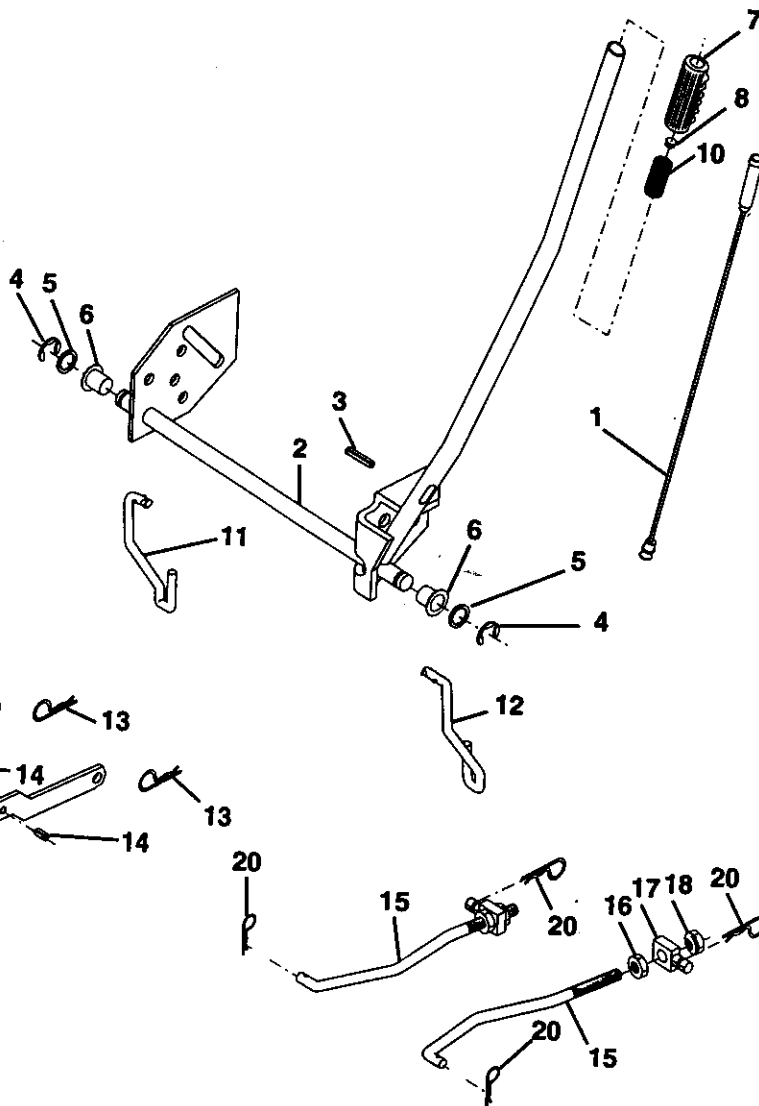
NOTE: All component dimensions given in U.S. inches.
1 inch = 25.4 mm

Key No.	Part No.	Description
1	5321274-27	Seat V-350 Blk/blk
2	5321266-56	Bracket Pivot Seat 8 720
3	8747606-12	Bolt Fin Hex 3/8-16unc X 3/4
4	8191312-10	Washer 13/32 X 3/4 X 10 Ga
5	5320027-51	Clip Line Fuel 13/32 Mtg Hole
6	8736806-00	Nut Crownlock 3/8-16 Unc
7	5321241-81	Spring Seat Cprsn 2 250 Blk Zi
8	8174906-16	Screw Thdrol 3/8-16 X 1 Ty-tt
9	8191316-14	Washer 13/32 X 1 X 14 Ga
10	5321314-51	Pan Seat
11	5321212-51	Strip Foam Gray Or Black
12	5321212-46	Bracket Mounting Switch
13	5321212-48	Bushing Snap Blk Nyl 50 Id
14	8720504-11	Bolt Rdhd Sht Nk 1/4-20x1-3/8

Key No.	Part No.	Description
15	5321343-00	Spacer Split 28 X 96 Zinc
16	5321212-50	Spring Cprsn 1 27 Blk Pnt
17	8736804-00	Nut Lock
18	8746410-08	Screw SLTD Pan Hd #10-32 X 1/2
19	8739510-00	Nut Keps #10-32 Unf
20	5320041-71	Clip Insulated 11/32 Mtg Hole
21	5321055-29	Bolt Shoulder 5/16-18 Unc Blkz
22	8736805-00	Nut Crown Lock 5/16-18
24	8191719-12	Washer 17/32 X 1-3/16 X 12 Ga
25	5321270-18	Bolt Shoulder 5/16-18 X 62
26	5321200-68	Knob Seat 1/2 - 13

Key No.	Part No.	Description
1	5321369-73	Wire Asm Inner w/plunger
2	5321225-07	Shaft Asm Lift 9 660
3	5321057-67	Pin Groove 1 500 Zinc
4	8120000-02	E Ring #5133-62
5	8192114-16	Washer 21/32 X 1 X 21 Ga
6	5321201-83	Bearing Nylon Blk 629 Id
7	5321094-13	Grip Handle Bicycle Matte Blk
8	5321259-25	Button Plunger Black
10	5321225-12	Spring Cprsn 3 750 Oiled
11	5321346-19	Link Lift LH Fixed Length
12	5321353-88	Link Lift RH Fixed Length
13	5321246-70	Retainer Spring
14	5321287-63	Pin Roll SLT 5/16 X 1 25 Blk O
15	5321272-18	Link Front
16	8733508-00	Nut Jam Hex 1/2-13 Unc
17	5321301-71	Trunnion Blk Zinc
18	8736808-00	Nut Lock W/wsh 1/2-13unc
19	5321308-32	Arm Suspension Rear
20	5321246-60	Spring Retainer

NOTE: All component dimensions given in U.S. inches
1 inch = 25.4 mm



Key No.	Part No.	Description
1	5320591-92	Cap Valve Tire
2	5320651-39	Stem Valve
3	5321062-22	Tire F Ts 15 X 6 0 - 6 Service
4	5320599-04	Tube Front (Service Item Only)
5	5321067-32	"Rim Asm 6" front Yellow Service
6	5320002-78	Fitting Grease (Front Wheel Only)
7	5320090-40	Bearing Flange (Front Wheel Only)
8	5321061-08	"Rim Asm 8" rear Yellow Service
9	5321062-68	Tire R Ts 18x8 5-8 C Service
10	5321249-26	Tube Rear (Service Item Only)
11	5321047-57	Cap Axle Blk 1 50 X 1 00