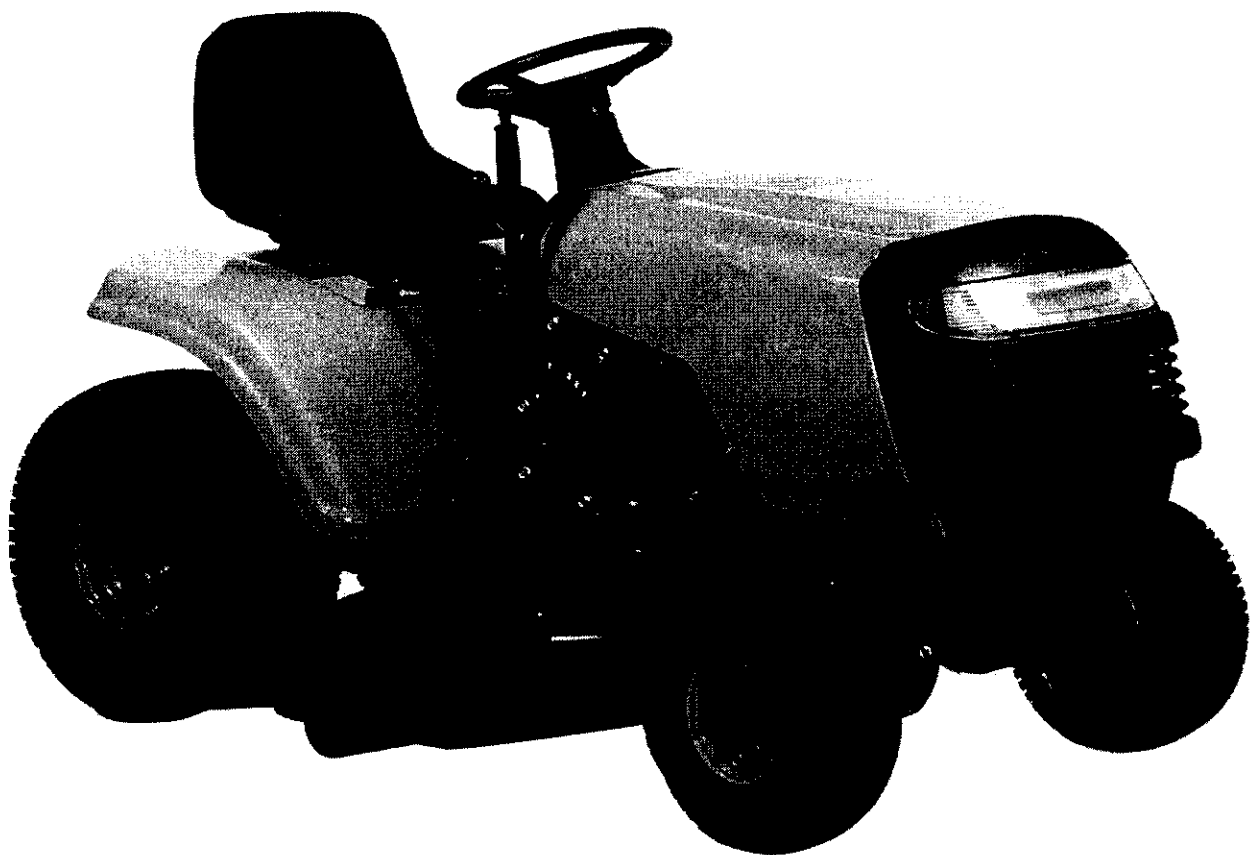


***PARTNER***

**12,5-105 EH**

**1993**

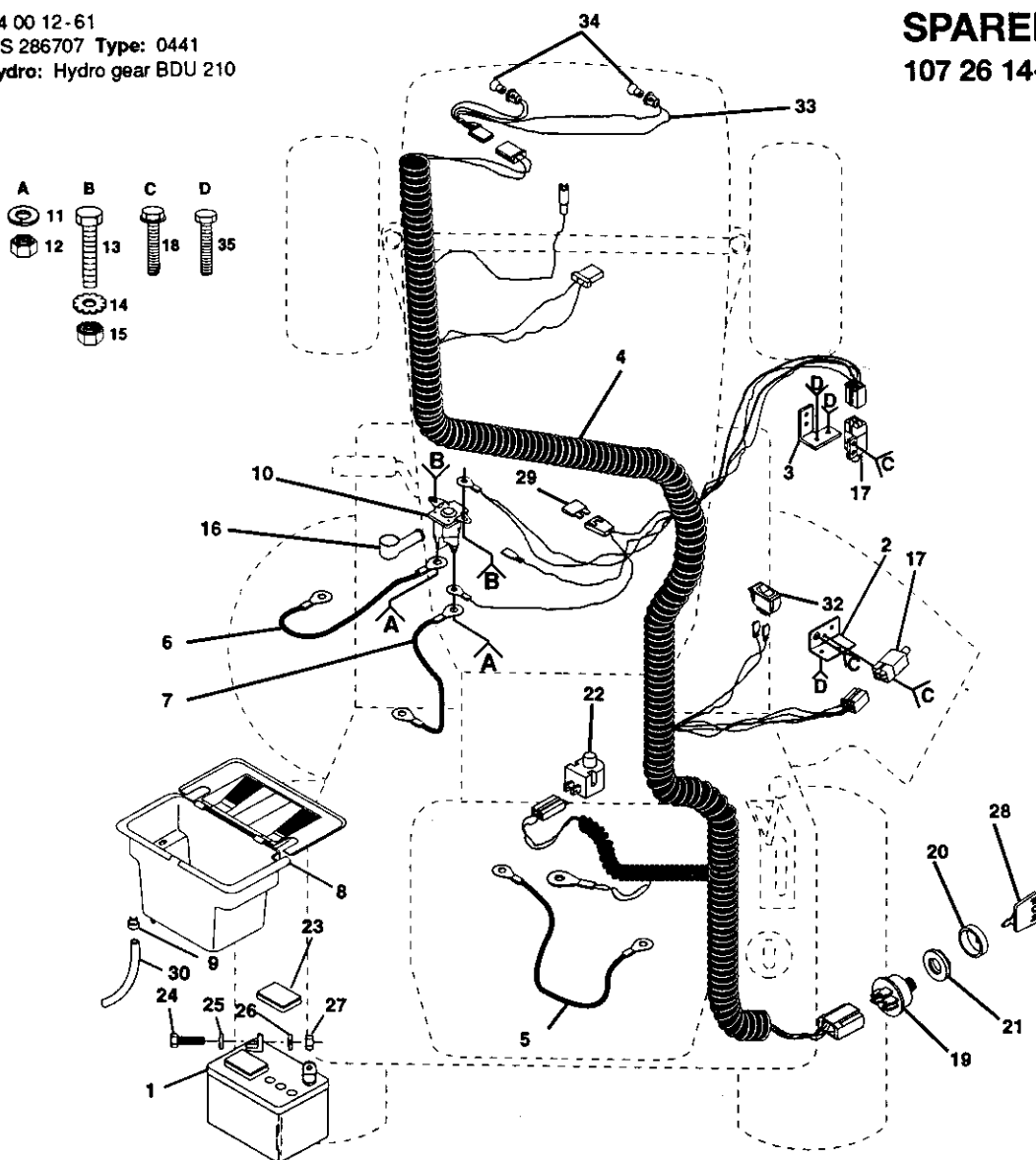




Prod.No: 954 00 12-61  
 Engine: B & S 286707 Type: 0441  
 Transaxle/Hydro: Hydro gear BDU 210

## SPAREPARTS

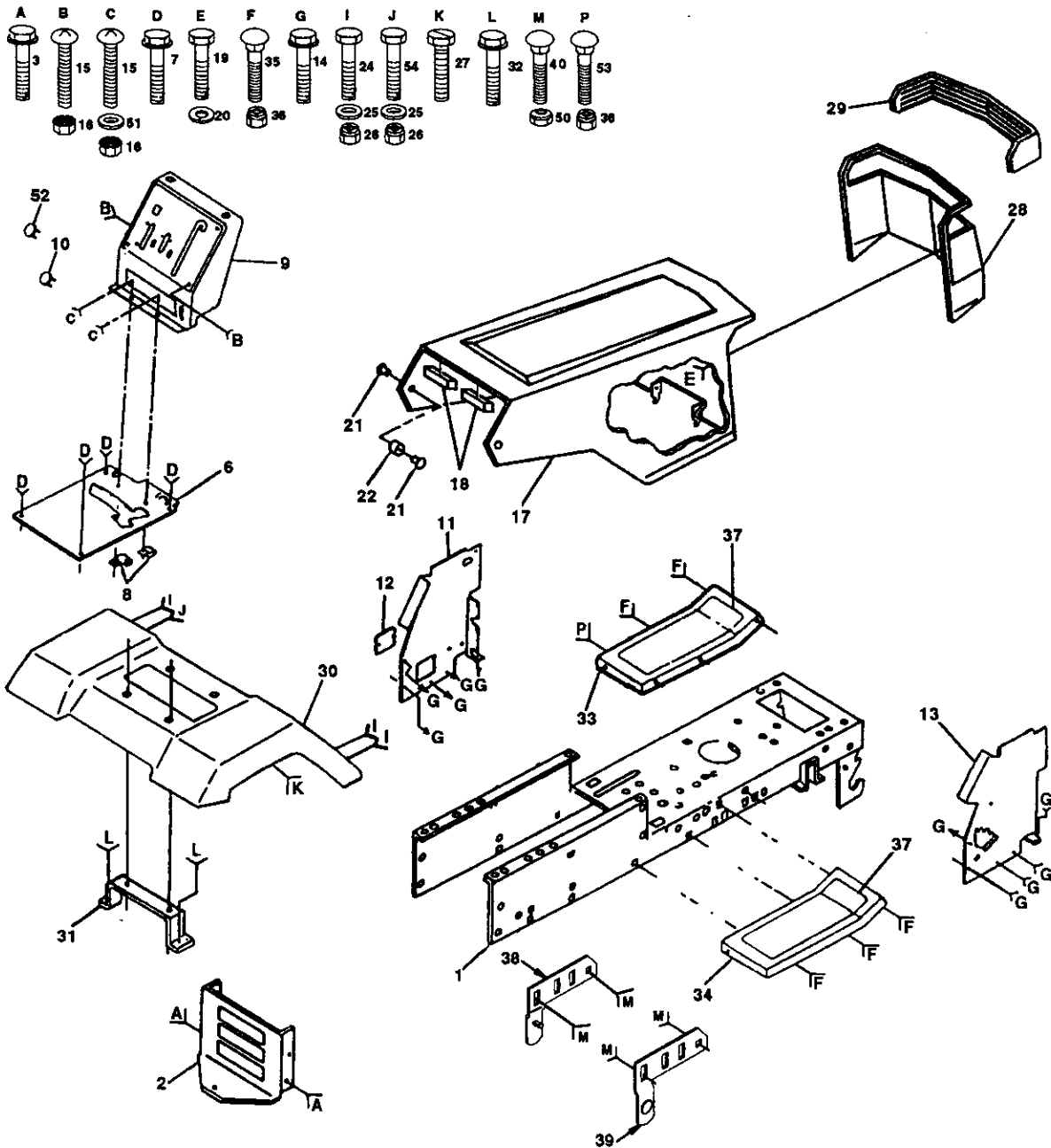
107 26 14-61



Key No.	Part No.	Description
1	5321212-65	Battery 12 VOLT 25 AMP
2	5321308-90	Bracket Switch Interlock
3	5321082-36	Bracket Switch Clutch
4	5321340-64	Harness Ign B&s Fender HI
5	5321247-73	"Cable Ground 6ga 12"black "
6	5321322-02	"Cable Battery 6 Ga 43"red "
7	5320047-99	"Cable Battery 6ga 11"red "
8	5321299-65	Case Battery Hng Mech W/lid
9	5321095-96	CLAMP Hose Olive
10	5321099-46	Solenoid
11	8100904-00	Washer Lock 1/4
12	8733504-00	Nut Jam Hex 1/4-20 Unc
13	8747804-08	BOLT Fin Hex 1/4-20uncx1/2 Gr5
14	8110504-00	Washer Lock Ext Tooth 1/4
15	8735104-00	Nut Keps Hex 1/4-20 Unc
16	5321315-63	Cover Terminal Red
17	5321095-53	Switch Intlk Clutch Gry 4 Term
18	8170210-08	Screw Tap Hex #10-24unc X 1/2
19	5321251-04	Switch Ign 5 Term Wo/wash/nut

Key No.	Part No.	Description
20	5321236-20	Cover Sw Key Blk 1 25 Text SLT
21	5321242-11	Nut Ignition
22	5321213-05	Switch Plunger Nc Gray
23	5321212-64	Caps Battery 20/25/30 AMP
24	8747604-12	BOLT Hex Hd 1/4-20unc X 3/4
25	8190910-16	Washer 9/32 X 5/8 X 16 Ga
26	8100404-00	Washer Lock Hvy Helical 1/4
27	8732204-00	Nut Fin Hex 1/4-20 Unc
28	5321221-47	Key Ign Molded Generic
29	5321088-24	Fuse 30 AMP Auto Green
30	5321092-38	"Tube Plastic 12" "
32	5321107-12	Switch Light Blk Blk Red
33	5321368-49	Harness Asm Light W/7662j
34	5320076-62	Bulb Light #1141
35	8170210-08	Screw Tap Hex #10-24unc X 1/2

NOTE: All component dimensions given in U.S. inches.  
 1 inch = 25.4 mm

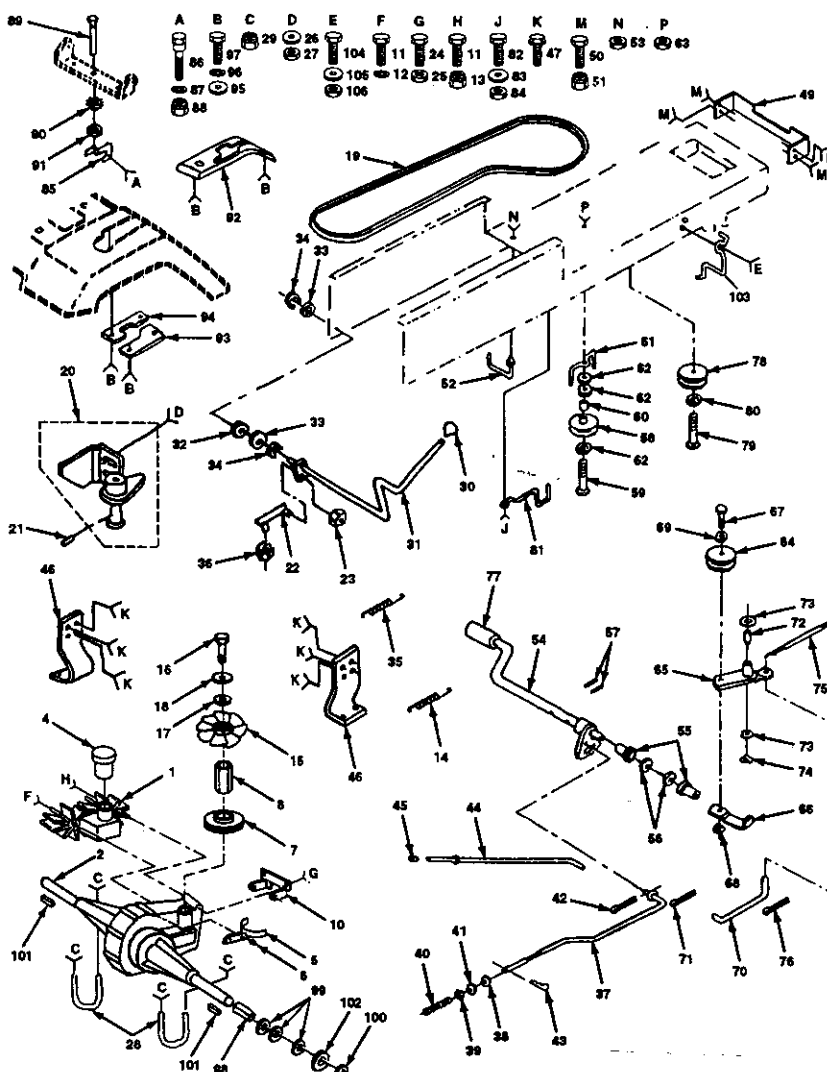


NOTE: All component dimensions given in U.S. inches.  
1 inch = 25.4 mm

Key No.	Part No.	Description
1	5321350-33	Chassis Widmt LT/HYD/FEN 11ga
2	5321372-75	Drawbar Stretch
3	8174906-12	Screw Thdrol 3/8-16x3/4 Ty-tt
6	5321383-31	Saddle Slkscr W/sym Fender/shf
7	8174906-08	Screw Thdrol 3/8-16x1/2 Ty-tt
8	5321264-71	Clip Insulator 406 Mtg Hole
9	5321383-32	Dash Slkscr 1-pc M N/i N/c Sym
10	5320054-79	Plug Button Blk 359 Dia Choke
11	5321227-95	Panel Dash LH
12	5321217-94	Cover Access Black Square
13	5321240-31	Panel Dash RH Weldment
14	8174906-08	Screw Thdrol 3/8-16x1/2 Ty-tt
15	8741805-12	Screw Mach TRHD 5/16-18uncx3/4
16	8735105-00	Nut Keps 5/16-18 Unc
17	5321314-45	Hood Asm Pnt Weld Yel Slope
18	5321269-38	Bumper Hood
19	8747604-08	BOLT Fin Hex 1/4-20unc X 1/2
20	8100404-00	Washer Lock Hvy Helical 1/4
21	5321229-33	Rivet Ratchet Nylon
22	5321244-79	Washer Nylon Blk 28x 75x 19
24	8747606-12	BOLT Fin Hex 3/8-16unc X 3/4

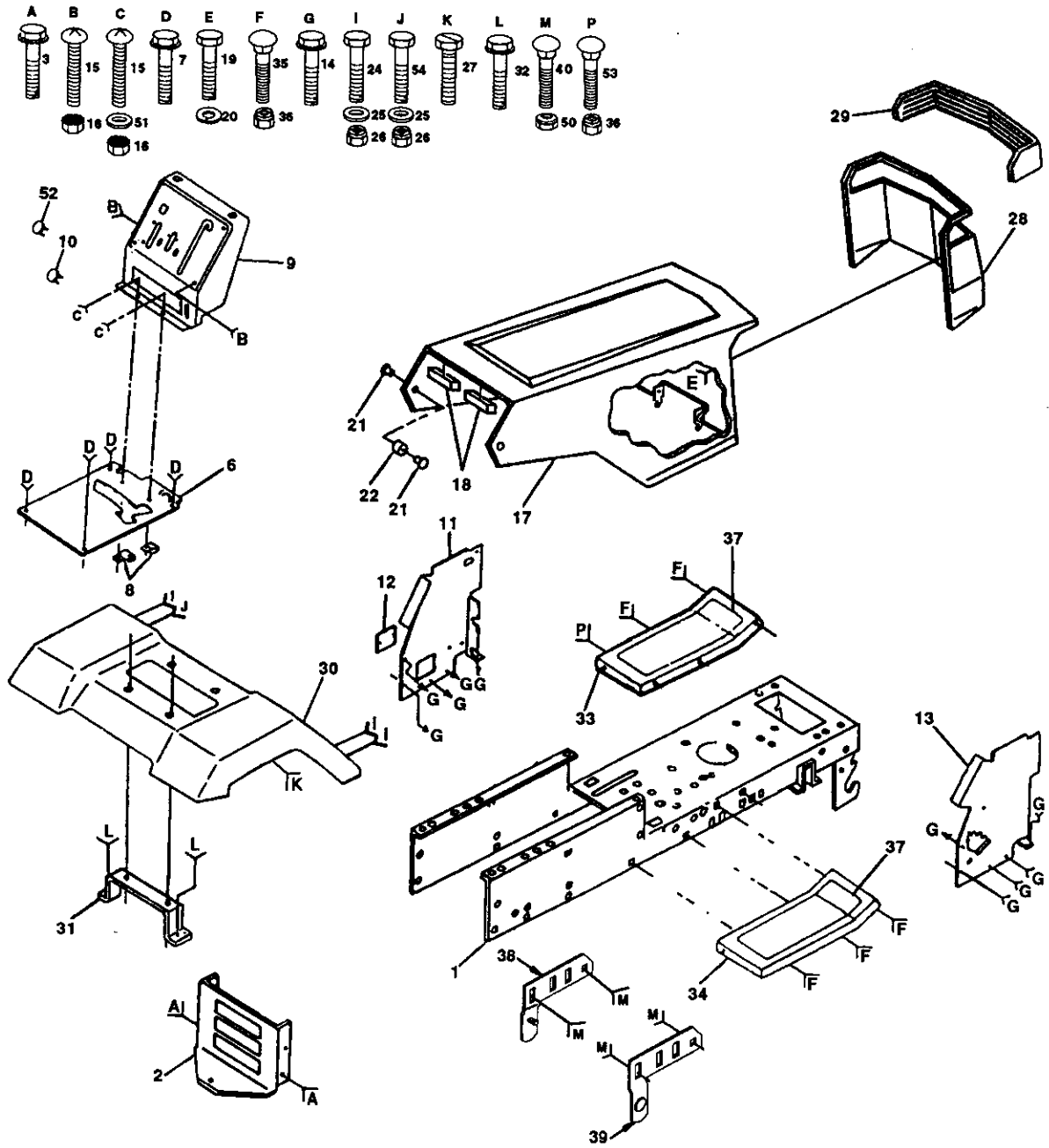
Key No.	Part No.	Description
25	8191313-12	Washer 13/32 X 13/16 X 12 Ga
26	8736806-00	Nut Crownlock 3/8-16 Unc
27	8174906-08	Screw Thdrol 3/8-16x1/2 Ty-tt
28	5321239-15	Grille Grey
29	5321240-29	Lens Headlight Bar Clear
30	5321251-23	Fender Pnt LT W/shf W/ign
31	5321366-19	Bracket Fender Repl 109873x
32	8174906-12	Screw Thdrol 3/8-16x3/4 Ty-tt
33	5321248-99	Footrest Pnt LH (Husq Gray)
34	5321249-14	Footrest Pnt RH (Husq Gray)
35	8721106-06	BOLT Rdhd Shf Snqk 3/8-16 X3/4
36	8736806-00	Nut Crownlock 3/8-16 Unc
37	5321082-56	Pad Footrest Rbr Sq Generic
38	5321347-74	Bracket Asm Pvt42 LH MWR Rear
39	5321347-75	Bracket Asm Pvt42 RH MWR Rear
40	8721406-08	BOLT Rdhd Snqk 3/8-16unc X 1
50	8738007-00	Nut Lock Hex W/wsh 3/8-16unc
51	8191316-14	Washer 13/32 X 3/4 X 16ga
52		Plug Dome Black
53	8721406-08	BOLT Rdhd Snqk 3/8-16unc X 1
54		BOLT Fin Hex 3/8-16unc X 7/8

Key No.	Part No.	Description
1	5321214-30	Pump Hydro Sunstrand
2	5321385-58	Transaxle Asm
4	5321213-23	Pump Reservoir
5	5321265-81	Keeper Asm BELT Transaxle
6	8736804-00	Nut Crownlock 1/4-20 Unc
7	5321265-79	Pulley Input
8	5321212-11	Spacer Stand-off Hydro Fan Zin
10	5321211-88	Bracket Mounting Differential
11	8747805-72	Bolt Hex 5/16 - 18 X 4.5 Gr 5
12	8100405-00	Washer Lock Hvy Hlcl Spr 5/16
13	8736805-00	Nut Crownlock 5/16 - 18
14	5321104-22	Spring Return Brake T/a Zinc
15	5321265-78	"Fan Hydro 7"
16	8747804-12	BOLT Fin Hex 1/4-20unc X 75
17	8190920-16	Washer 9/32 X 1-1/4 X 16ga
18	8100404-00	Washer Lock Hvy Helical 1/4
19	5321375-89	V-BELT Dr Traction Hydr Stretc
20	5321269-12	Pack Asm Friction
21	5321266-55	Pin Roll 198 X 866
22	5321373-28	Rod Tie Hydro Stretch
23	8730404-00	Nut Hex Flange 1/4-28 Unf
24	8747606-12	BOLT Fin Hex 3/8-16unc X 3/4
25	8736806-00	Nut Crownlock 3/8-16 Unc
26		Washer 13/32 X 3/4 X 16ga
27	8736806-00	Nut Crownlock 3/8-16 Unc
28	5321211-89	BOLT U 3/8-16 X 2 83
29	8736806-00	Nut Crownlock 3/8-16 Unc
30	5321069-33	Knob Rd 1/2-13 Pistic Thds Blk
31	5321265-92	Lever Assembly Shift
32	5321265-90	Bushing T/a W/ 120 Step Pm
33	5321265-91	Washer Shim 53 X 1 25 X 0598
34	8120000-03	E-ring
35	5321269-10	Spring Extension 3 250 Blk
36	8730404-00	Nut Hex Flange 1/4-28 Unf
37	5321376-30	Rod Brake Hydro Stretch
38	8738006-00	Nut Lock Hex W/wsh 3/8-16unc
39	8733506-00	Nut Hex Jam 3/8-16 Unc
40	5321068-88	Spring Rod Brake 2 00 Zinc
41	8191313-16	Washer 13/32 X 13/16 X 16 Ga
42	5320049-21	Retainer Spring
43	5321247-88	"Spring Retainer 1" Zinc/cad "
44	5321289-04	Rod Brake Parking LT
45	5320716-73	Cap Brake Parking Black
46	5321369-22	Bracket Mig Hydro Stretch
47	8174806-16	Screw Thdrol 3/8-16 X 1 Ty-tt
49	5321383-07	Bracket Mounting T/a Hydro
50	8721106-06	BOLT Rdhd Sht Sqnc 3/8-16 X3/4
51	8736806-00	Nut Crownlock 3/8-16 Unc
52	5321265-77	Keeper Span Center LT Hyd Zinc
53	8736806-00	Nut Crownlock 3/8-16 Unc
54	5321224-24	Shaft Asm Pedal Foot 1 930
55	5321201-83	Bearing Nylon Blk 629 Id
56	8192118-16	Washer 21/32 X 1 X 16 Ga
57	5320028-82	"Pin Roll 3/16 X 1"
58	5321236-74	Pulley Idler Flat
59	8747606-44	BOLT Fin Hex 3/8-16unc X 2-3/4
60	5321249-65	Spacer Split 395 X 59 Bzp
61	5321090-70	Keeper BELT Retainer
62	8191313-12	Washer 13/32 X 13/16 X 12 Ga
63	8736806-00	Nut Crownlock 3/8-16 Unc
64	5321277-83	Pulley Idler V Groove Plastic
65	5321237-89	Belcrank Asm Clutch
66	5321232-05	Retainer BELT Style Spring
67	8747606-24	BOLT Hex Hd 3/8-16unc X 1-1/2
68	8736806-00	Nut Crownlock 3/8-16 Unc
69	8191313-16	Washer 13/32 X 13/16 X 16 Ga
70	5321057-10	Link Clutch 7 66
71	8760204-12	Pin Cotter 1/8 X 3/4 Cad
72	5321057-06	Bearing Nyl 503 X 628 X 1 25
73	5321108-12	Washer Hardened
74	8120000-39	Ring Klip #5304-50
75	5321057-09	Spring Return Clutch 6 75
76	8760204-12	Pin Cotter 1/8 X 3/4 Cad
77	5321248-72	Cover Pedal Blk Round
78	5321348-25	Engine Pulley LT/YT
79	8711707-64	BOLT Hex 7/16-20x4 Gr 5
80	8100407-00	Washer Lock Hvy Hlcl Spr 7/16
81	5321299-21	Keeper BELT Engine LH LT
82	8747606-16	BOLT Fin Hex 3/8-16unc X 1
83	8191313-12	Washer 13/32 X 13/16 X 12 Ga
84	8736806-00	Nut Crownlock 3/8-16 Unc
85	5321265-75	Arm Control LT Hydro
86	5320078-05	BOLT Shoulder 1/4 X 20 Unc
87	5321107-39	Washer Spring Oiled
88	8736804-00	Nut Crownlock 1/4-20 Unc
89	5321266-54	Control Bypass
90	8110506-00	Washer Lock Ext Tooth 3/8
91	8736106-00	Nut Fin Hex 3/8-24 Unf
92	5321266-00	Console Shift W/qn LT Hydro
93	5321265-97	Plate Adjustment Neutral RH
94	5321265-98	Plate Adjustment Neutral LH
95	8190912-18	Washer 9/32 X 3/4 X 16 Ga
96	8100404-00	Washer Lock Hvy Helical 1/4
97	8747604-08	BOLT Fin Hex 1/4-20unc X 1/2
98	5321211-99	Spacer Split 80x1 70 Cad/zinc
99	5321217-49	Washer 25/32 X 1 1/4 X 16 Ga
100	8120000-01	E-ring #5133-75
101	5321235-83	Key Square 2 0 X 1845/ 1865
102	5321217-48	Washer 25/32 X 1-5/8 X 16ga
103	5321346-83	Guide BELT Mower Drive RH
104	8747606-16	BOLT Fin Hex 3/8-16unc X 1
105	8191320-12	Washer 13/32 X 1-1/4 X 12 Ga
106	8736806-00	Nut Crownlock 3/8-16 Unc



NOTE: All component dimensions given in U.S. inches.  
1 inch = 25.4 mm

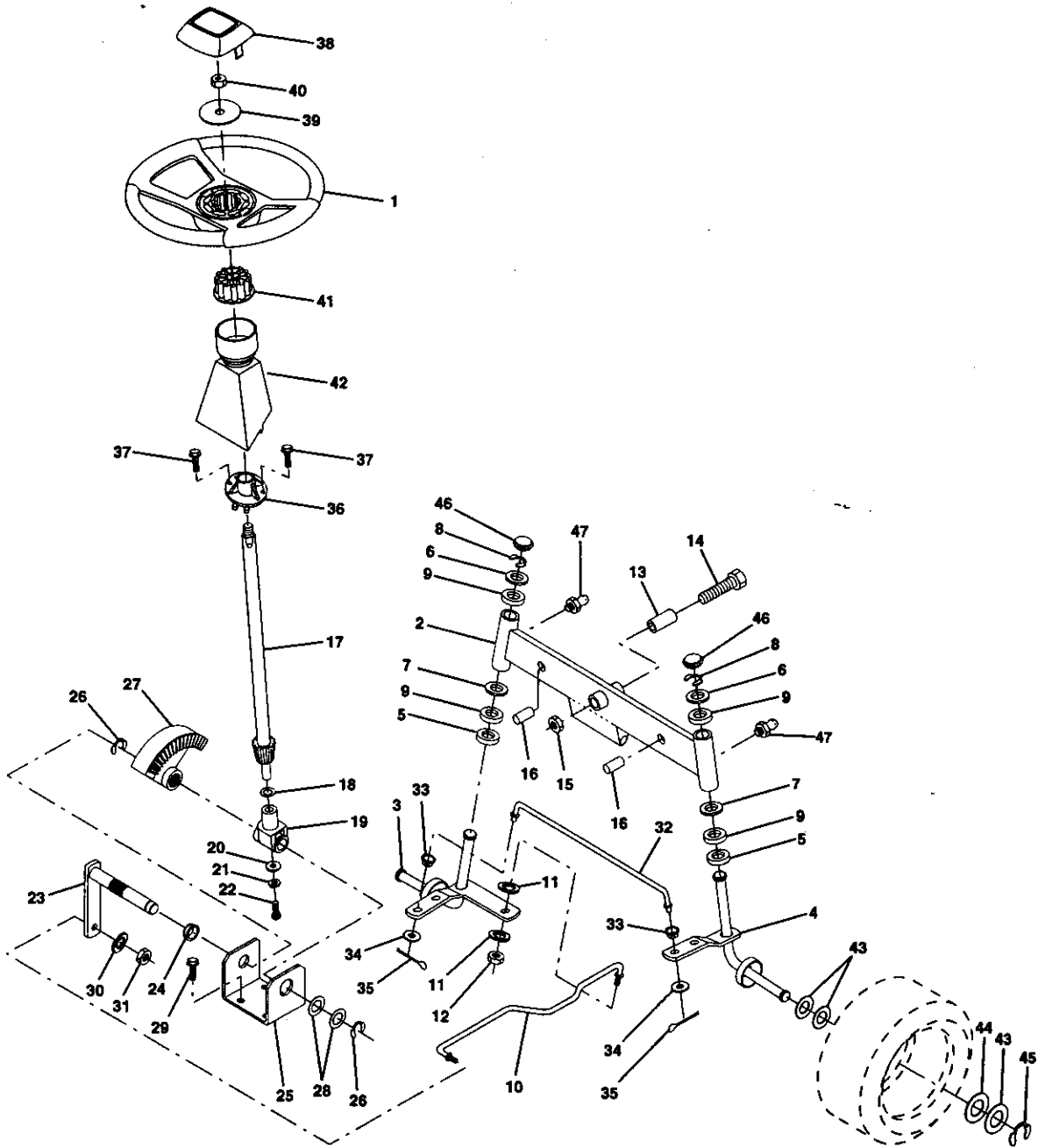
*katsok kija 16-115/92  
vaihtaisko poratti*



NOTE: All component dimensions given in U.S. inches.  
1 inch = 25.4 mm

Key No.	Part No.	Description
1	5321350-33	Chassis Wldmt LT/HYD/FEN 11ga
2	5321372-75	Drawbar Stretch
3	8174906-12	Screw Thdrol 3/8-16x3/4 Ty-tt
6	5321383-31	Saddle Silkscr W/sym Fender/shf
7	8174906-08	Screw Thdrol 3/8-16x1/2 Ty-tt
8	5321264-71	Clip Insulator 406 Mtg Hole
9	5321383-32	Dash Silkscr 1-pc M N/i N/c Sym
10	5320054-79	Plug Button BLK 359 Dia Choke
11	5321227-95	Panel Dash LH
12	5321217-94	Cover Access Black Square
13	5321240-31	Panel Dash RH Weldment
14	8174906-08	Screw Thdrol 3/8-16x1/2 Ty-tt
15	8741805-12	Screw Mach TRHD 5/16-18uncx3/4
16	8735105-00	Nut Keps 5/16-18 Unc
17	5321314-45	Hood Asm Pnt Weld Yel Slope
18	5321269-38	Bumper Hood
19	8747604-08	BOLT Fin Hex 1/4-20unc X 1/2
20	8100404-00	Washer Lock Hvy Helical 1/4
21	5321229-33	Rivet Ratchet Nylon
22	5321244-79	Washer Nylon Blk 28x 75x 19
24	8747606-12	BOLT Fin Hex 3/8-16unc X 3/4

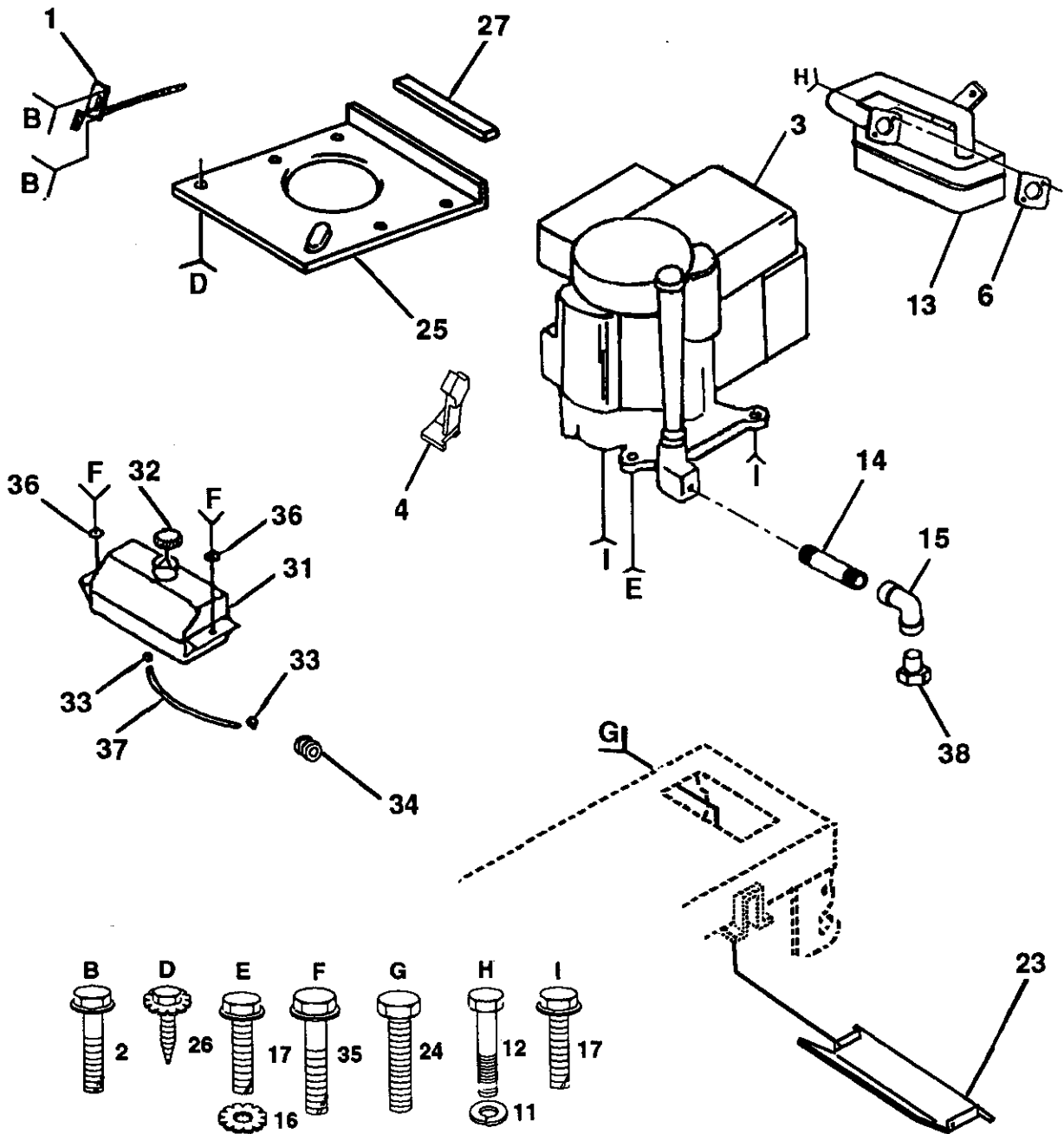
Key No.	Part No.	Description
25	8191313-12	Washer 13/32 X 13/16 X 12 Ga
26	8736806-00	Nut Crownlock 3/8-16 Unc
27	8174906-08	Screw Thdrol 3/8-16x1/2 Ty-tt
28	5321239-15	Grille Grey
29	5321240-29	Lens Headlight Bar Clear
30	5321251-23	Fender Pnt LT W/shf W/ign
31	5321366-19	Bracket Fender Repl 109873x
32	8174906-12	Screw Thdrol 3/8-16x3/4 Ty-tt
33	5321248-99	Footrest Pnt LH (Husq Gray)
34	5321249-14	Footrest Pnt RH (Husq Gray)
35	8721106-06	BOLT Rdhd Sht Sqnk 3/8-16 X3/4
36	8736806-00	Nut Crownlock 3/8-16 Unc
37	5321082-56	Pad Footrest Rbr Sq Generic
38	5321347-74	Bracket Asm Pnt42 LH MWR Rear
39	5321347-75	Bracket Asm Pnt42 RH MWR Rear
40	8721406-08	BOLT Rdhd Sqnk 3/8-16unc X 1
50	8738007-00	Nut Lock Hex W/wsh 3/8-16unc
51	8191316-14	Washer 13/32 X 3/4 X 16ga
52		Plug Dome Black
53	8721406-08	BOLT Rdhd Sqnk 3/8-16unc X 1
54		BOLT Fin Hex 3/8-16unc X 7/8



NOTE: All component dimensions given in U.S. inches. 1 inch = 25.4 mm

Key No.	Part No.	Description
1	5321214-72	Wheel Steering Auto Black
2	5321339-88	Axle Asm Fr LT W/gzks 38/42
3	5321352-27	Spindle Asm LH
4	5321352-28	Spindle Asm RH
5	5321249-31	Bearing Race Thrust Harden
6	5321217-48	Washer 25/32 X 1-5/8 X 16ga
7	8192720-16	Washer 27/32 X 1-1/4 X 16 Ga
8	8120000-29	Ring Klip #15304-75
9	5321249-37	Bearing Col Strg Blk
10	5321304-68	Link Drag Sol Ball Jt 20 064
11	8100406-00	Washer Lock Hvy Hlcl Spr 3/8
12	8736106-00	Nut Fin Hex 3/8-24 Unf
13	5321104-38	Spacer Bearing Axle Front
14	8740110-56	BOLT Hex 5/8-11 Unc X 3-1/2
15	8739010-00	Nut Lock Flange 5/8-11 Unc
16	5321326-24	Pin Axle 5/8 X 1 55/1 54 Lg
17	5321326-14	Shaft Asm Strg 5/8 X 15 19 LT
18	5320570-79	Washer Thrust 515x 750x 033
19	5321240-35	Support Shaft
20	5321266-84	Washer Shim 1/4 X 5/8 X 062
21	8100404-00	Washer Lock Hvy Helical 1/4
22	8710704-10	Screw Hex Socket 1/4-20 X 5/8
23	5321275-01	Shaft Asm Pittman
24	5321098-16	Nyliner Snap In

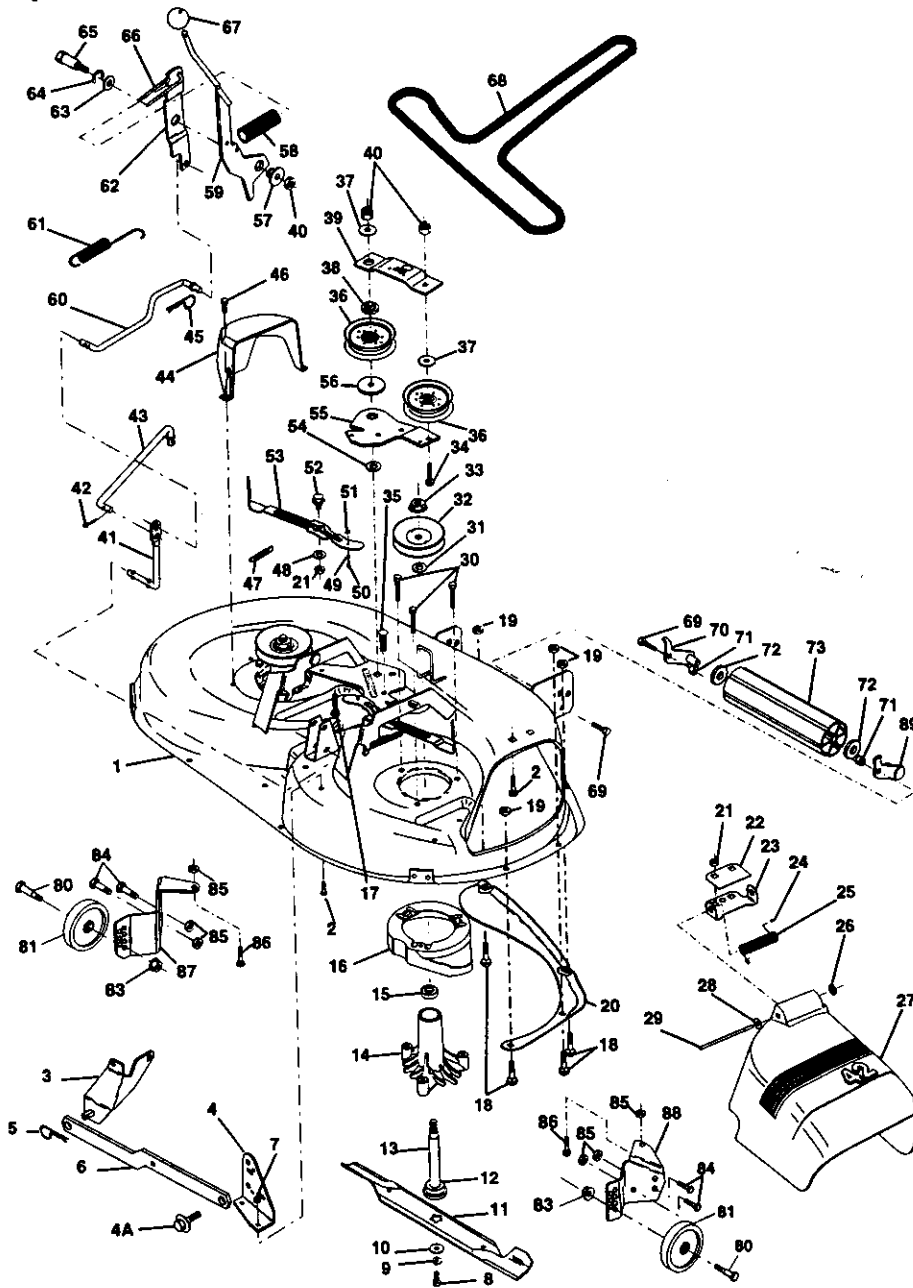
Key No.	Part No.	Description
25	5321240-36	Bracket Steering
26	8120000-29	Ring Klip #15304-75
27	5321368-74	Gear Sector 22 Teeth
28	5321249-31	Bearing Race Thrust Harden
29	8174906-12	Screw Thdrol 3/8-16x3/4 Ty-tt
30	8100406-00	Washer Lock Hvy Hlcl Spr 3/8
31	8736106-00	Nut Fin Hex 3/8-24 Unf
32	5321304-65	Rod Tie Wire Form 19 75 Mech
33	5321268-47	Bushing Link Drag Blk LR
34	8191314-16	Washer 13/32 X 7/8 X 16ga
35	8760204-12	Pin Cotter 1/8 X 3/4 Cad
36	5321321-96	Bushing Strg 5/8 Id Dash
37	8174310-08	Screw Slftp #10-16 X 1/2 Ty-b
38	5321268-05	Insert Cap Strg Wh Au Gen Blk
39	8191338-08	Washer 13/32 X 2-3/8 X 8 Ga
40	5321247-01	Nut Lock Center 3/8-24unf
41	5321048-20	Adaptor Wheel Strg 640/ 635id
42	5321244-18	Boot Shaft Steering Blk
43	5321217-49	Washer 25/32 X 1 1/4 X 16 Ga
44	5321217-48	Washer 25/32 X 1-5/8 X 16ga
45	8120000-29	Ring Klip #15304-75
46	5321212-32	Cap Spindle Fr Top Blk
47	5321248-36	Fitting Grease



**NOTE:** All component dimensions given in U.S. inches. 1 invh = 25,4 mm.

Key No.	Part No.	Description
1	5321326-23	Control Th/ch RH Blk Tee Eec
2	8177204-10	Screw Hex Thd Cut 1/4-20x5/8 T
3	-----	Engine B&s 12,5HP lcg Dual 1vt Model No 286707
4	5321279-51	Stop Throttle 3000
6	5321255-93	Gasket Eng 1 313 Id Tin Plated
11	8100405-00	Washer Lock Hvy Hlcl Spr 5/16
12	8710705-10	Screw Hexhd Cap 5/16-18x5/8
13	5321373-48	Muffler LT B&s 12/12 5 HP
14	8132803-24	"Nipple Pipe 3/8 Npt X 3"
15	8132003-00	Elbow Std 90 Degree 3/8-18 Npt
16	8110506-00	Washer Lock Ext Tooth 3/8
17	8174906-20	Screw Thdrol 3/8-16x1-1/4 TYTT
23	5321289-53	Shield Heat Browning LT/YT

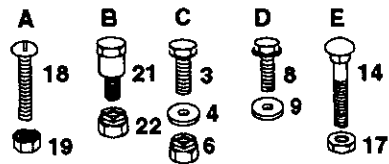
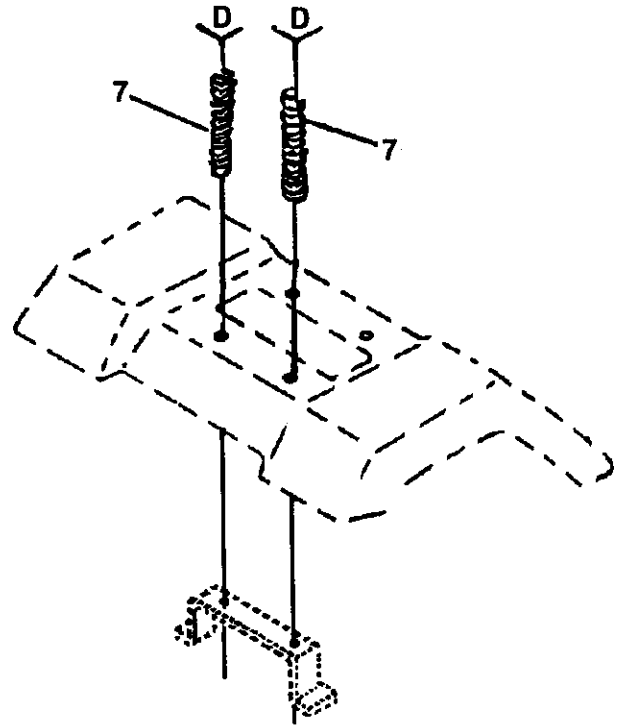
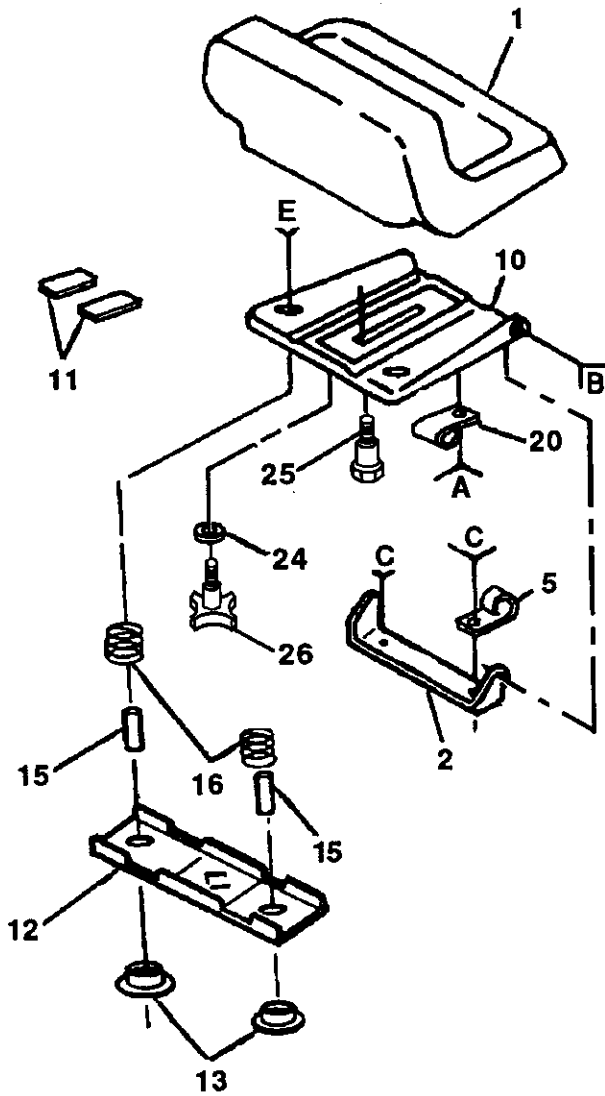
Key No.	Part No.	Description
24	8170210-08	Screw Tap Hex #10-24unc X 1/2
25	5321240-27	Shield Heat Hood LT
26	8170308-08	Screw Spiderloc Hexhd#8x1/2 Ab
27	5321050-37	"Strip Foam 18"
31	5321092-02	Tank Fuel Front 1 25
32	5321235-49	Cap Asm Fuel W/sym Vented
33	5321234-87	CLAMP Hose Blk
34	5321240-28	Bushing Snap Nyl Blk Fuel Line
35	8174904-12	Screw Hexwsh Thdrol 1/4-20x3/4
36	8190914-16	Washer 9/32 X 7/8 X 16ga
37	5321013-35	"Line Fuel 9 50"
38	-----	Plug Oil Drain (Order From Engine Manufacturer)



NOTE: All component dimensions given in U.S. inches  
1 inch = 25.4 mm.

Key No.	Part No.	Description	Key No.	Part No.	Description	Key No.	Part No.	Description
1	5321380-24	"Deck Asm MWR 42" weldment	27	5321309-88	"Shield Deflector Mower 42" Blk"	55	5321338-44	"Arm Idler 42" mower LT/YT
2	8721405-06	BOLT Rdhd Sqnk 5/16-18unc X3/4	28	8191110-16	Washer 11/32 X 5/8 X 16 Ga	56	5321220-52	Spacer Retainer Pm Mower
3	5321380-17	Bracket Asm Fr Sway Bar 38/42	29	5321314-91	"Rod Hinge 42" 6 75 Wlg	57	5321274-98	Bushing 747 Od X 794 Lg Brass
4	5321384-40	Bracket Deck Sway Bar 38/42	30	5320781-58	BOLT 5/16-18 X 1 25 T/I	58	5321287-59	Spring Clutch Mower 2 750 Zinc
4a	5321328-27	BOLT Shoulder 5/16-18 Thd Form	31	5321299-63	Washer Spacer Mower Vented	59	5321335-73	Arm Asm Clutch Primary
5	5321246-70	Retainer Spring	32	5321298-61	"Pulley Mandrel 42"	60	5321346-66	Rod Clutch Primary 38/42
6	5321306-32	Arm Suspension Rear	33	5321372-66	Nut Toplock 9/16	61	5321318-70	Spring Return
7	8738005-00	Locknut-hex W/ins 5/16-18unc P	34	8721106-14	BOLT Rdhd 3/8-16uncx1-3/4 Gr5	62	5321278-47	Arm Clutch Secondary
8	5328508-57	Bolt 3/8 - 24 X 1.25 Gr 8 Patched	35	5321338-35	Fastner Christmas Tree	63	5321217-48	Washer 25/32 X 1-5/8 X 16ga
9	8100306-00	Washer Lock Hvy 3/8 Unplated	36	5321314-94	Pulley Idler Flat 3 060	64	8120000-29	Ring Kip #15304-75
10	5321299-62	Washer Hard Blade Mower Vented	37	8191316-12	Washer 13/32 X 1 X 12 Ga	65	5321289-03	BOLT Shoulder 3/8-16 Unc 1 44
11	5321384-98	"Blade Mower 42" High Perf	38	5321335-02	"Spacer Arm Idler Upper Hdn 42"	66	5321278-45	Keeper Spring 4 000
12	5321296-85	Bearing Ball #6204 (Mandrel)	39	5321335-03	"Stiffener Arm Idler Upper 42"	67	5321069-32	Knob Rd 3/8-16 Plstc Thds Blk
13	5321376-45	Shaft Asm W/Lower Bearing	40	8736806-00	Nut Crownlock 3/8-16 Unc	68	5321309-69	"V-BELT Mower 42" 92 40
14	5321287-74	Housing Mandrel Vented (Machd)	41	5321335-51	Rod Pivot W/ins	69	8747606-16	BOLT Fin Hex 3/8-16unc X 1
15	5321104-85	Bearing Ball Mandrel	42	8760203-12	Pin Cotter 3/32 X 3/4 Cad	70	5321322-74	Bracket Asm Noseroller LH
16	5321369-29	Stripper Mower Vented	43	5321335-04	Rod Clutch Secondary W/ins	71	8736806-00	Nut Crownlock 3/8-16 Unc
17	8721106-18	BOLT Rdhd Sqnk 3/8-16 X 2-1/4	44	5321342-36	Guard Mandrel LH Black	72	8192114-16	Washer 17/32 X 7/8 X 16ga
18	8721405-05	BOLT Rdhd Sqnk 5/16-18 X 5/8	45	5321247-88	"Spring Retainer 1" Zinc/cad	73	5321322-64	Roller Nose 38 & 42
19	8738005-00	Locknut-hex W/ins 5/16-18unc P	46	8177204-10	Screw Hex Thd Cut 1/4-20x5/8 T	80	5321248-42	"BOLT Shld "a" 2 41 "b" 1 66
20	5321368-88	Baffle Vortex 42	47	5321313-35	Spring Extension	81	5321054-55	Wheel Gauge Blk 4 93
21	8736805-00	Nut Crown Lock 5/16-18	48	5321339-44	Washer Hardened Smaller	83	8738006-00	Nut Lock Hex W/wsh 3/8-16unc
22	5321347-53	"Stiffener Bracket 42" deck	49	5321339-40	"Roller Asm Cam Follower 42" dec"	84	8747605-12	BOLT Hex Hd 5/16-18unc X 3/4
23	5321312-67	"Bracket Deflector Mower 42"	50	5321313-40	"BOLT Shldr 10-24 Zinc Gr 5 42"	85	8735105-00	Nut Keps 5/16-18 Unc
24	5321053-04	Cap Sleeve 80x 112 Blk Mower	51	5320691-80	Nut Lock #10-24 Unc	86	8721105-05	BOLT Carr 5/16-unc X 1/2
25	5321237-13	Spring Torsion Deflector 2 52	52	5321055-29	BOLT Shoulder 5/16-18 Unc Blkz	87	5321322-63	"Bracket Gage Wheel LH 42" deck"
26	5321104-52	Nut Push Phos & Oil	53	5321318-45	Arm Asm Pad Brake	88	5321322-62	"Bracket Gage Wheel RH 42" deck"
			54	5321339-43	Washer Hardened	89	5321322-73	Bracket Asm Noseroller RH



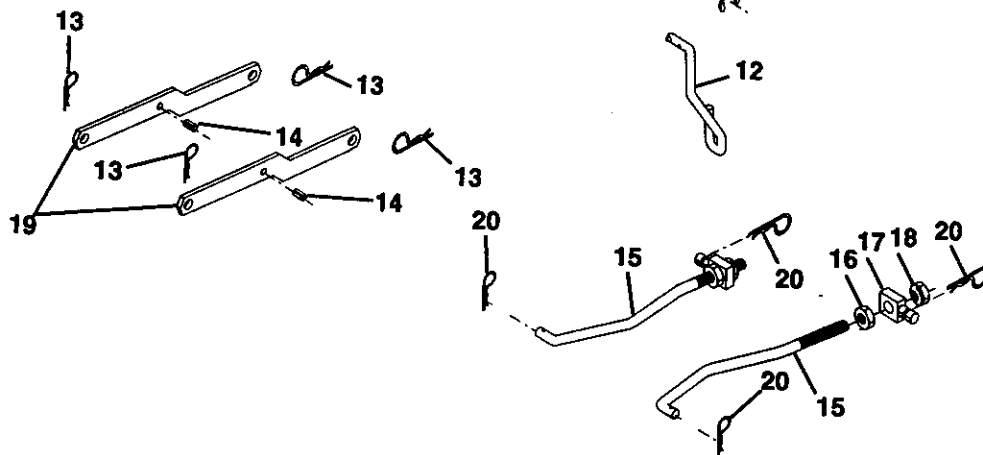
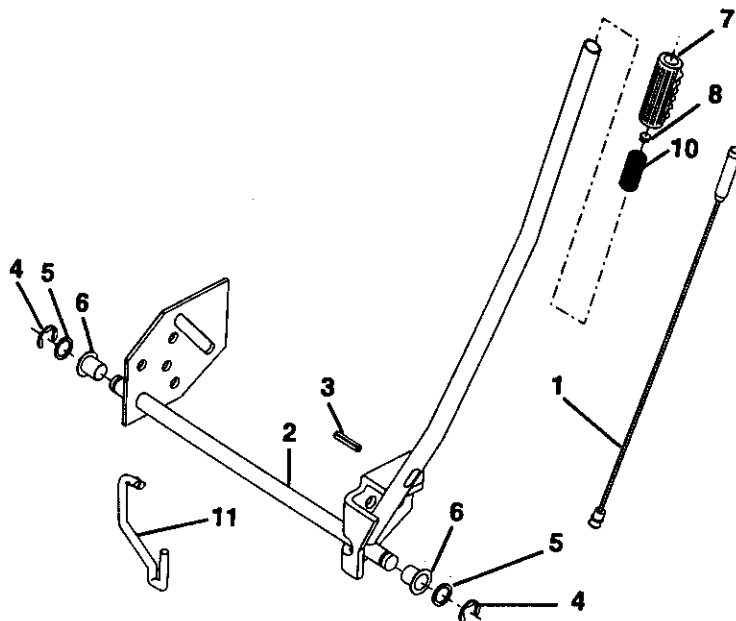


**NOTE:** All component dimensions given in U.S. inches.  
1 inch = 25.4 mm

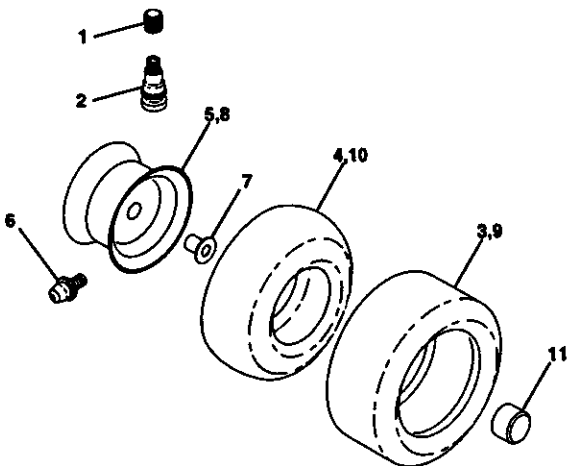
Key No.	Part No.	Description
1	5321274-27	Seat V350 Blk/blk Std
2	5321266-56	Bracket Pivot Seat 8 720
3	8747606-12	BOLT Fin Hex 3/8-16unc X 3/4
4	8191312-10	Washer 13/32 X 3/4 X 10 Ga
5	5320027-51	Clip Line Fuel 13/32 Mtg Hole
6	8736806-00	Nut Crownlock 3/8-16 Unc
7	5321241-81	Spring Seat Cprsn 2 250 Blk Zi
8	8174906-16	Screw Thdrol 3/8-16 X 1 Ty-tt
9	8191316-14	Washer 13/32 X 1 X 14 Ga
10	5321314-51	Pan Seat
11	5321212-51	Strip Foam Gray Or Black
12	5321212-46	Bracket Mounting Switch
13	5321212-48	Bushing Snap Blk Nyl 50 ld

Key No.	Part No.	Description
14	8720504-11	BOLT Rdhd Sht Nk 1/4-20x1-3/8
15	5321343-00	Spacer Split 28x 96 Yel Zinc
16	5321212-50	Spring Cprsn 1 27 Blk Pnt
17	8736804-00	Nut Lock 1/4 Lge Flg Gr 5 Zinc
18	8746410-08	Screw SLTD Pan Hd #10-32 X 1/2
19	8739510-00	Nut Keps #10-32 Unf
20	5320041-71	Clip Insulated 11/32 Mtg Hole
21	5321055-29	BOLT Shoulder 5/16-18 Unc Blkz
22	8736805-00	Nut Crown Lock 5/16-18
24	8191719-12	Washer 17/32 X 1-3/16 X 12 Ga
25	5321270-18	BOLT Shoulder 5/16-18 X 62
26	5321200-68	Knob Seat 1/2-13unc Blk

Key No.	Part No.	Description
1	5321369-73	Wire Asm Inner W/plunger 17 32
2	5321225-07	Shaft Asm Lift 9 680
3	5321057-67	Pin Groove 1 500 Zinc
4	8120000-02	E Ring #5133-62
5	8192114-16	Washer PLTD 21/32 X 1 X 21ga
6	5321201-83	Bearing Nylon Blk 629 Id
7	5321094-13	Grip Handle Bicycle Matte Blk
8	5321259-25	Button Plunger Black
10	5321225-12	Spring Cprsn 3 750 Oiled
11	5321346-19	Link Lift LH Fixed LENGTH
12	5321353-88	Link Lift RH Fixed LENGTH
13	5321246-70	Retainer Spring
14	5321287-63	Pin Roll SLT 5/16 X 1 25 Blk O
15	5321272-18	Link Front
16	8733508-00	Nut Jam Hex 1/2-13 Unc
17	5321301-71	Trunnion Blk Zinc
18	8736808-00	Nut lock 1/2-13unc
19	5321308-32	Arm Suspension Rear
20	5321246-60	Retainer Spring



NOTE: All component dimensions given in U.S. inches.  
1 invh = 25,4 mm.



Key No.	Part No.	Description
1	5320591-92	Cap Valve Tire
2	5320651-39	Stem Valve
3	5321062-22	Tire F Ts 15 X 6 0 - 6 Service
4	5320599-04	Tube Front (Service Item Only)
5	5321067-32	"Rim Asm 6" front Yellow Service"
6	5320002-78	Fitting Grease (Front Wheel Only)
7	5320090-40	Bearing Flange (Service Item Only)
8	5321061-08	"Rim Asm 8" rear Yellow Service"
9	5321062-68	Tire R Ts 18x9 5-8 C Service
10	5321249-26	Tube Rear (Service Item Only)
11	5321047-57	Cap Axle Blk 1 50 X 1 00