

ILLUSTRATED PARTS BREAKDOWN

PARTNER

12 HP, 42" MOWER DECK

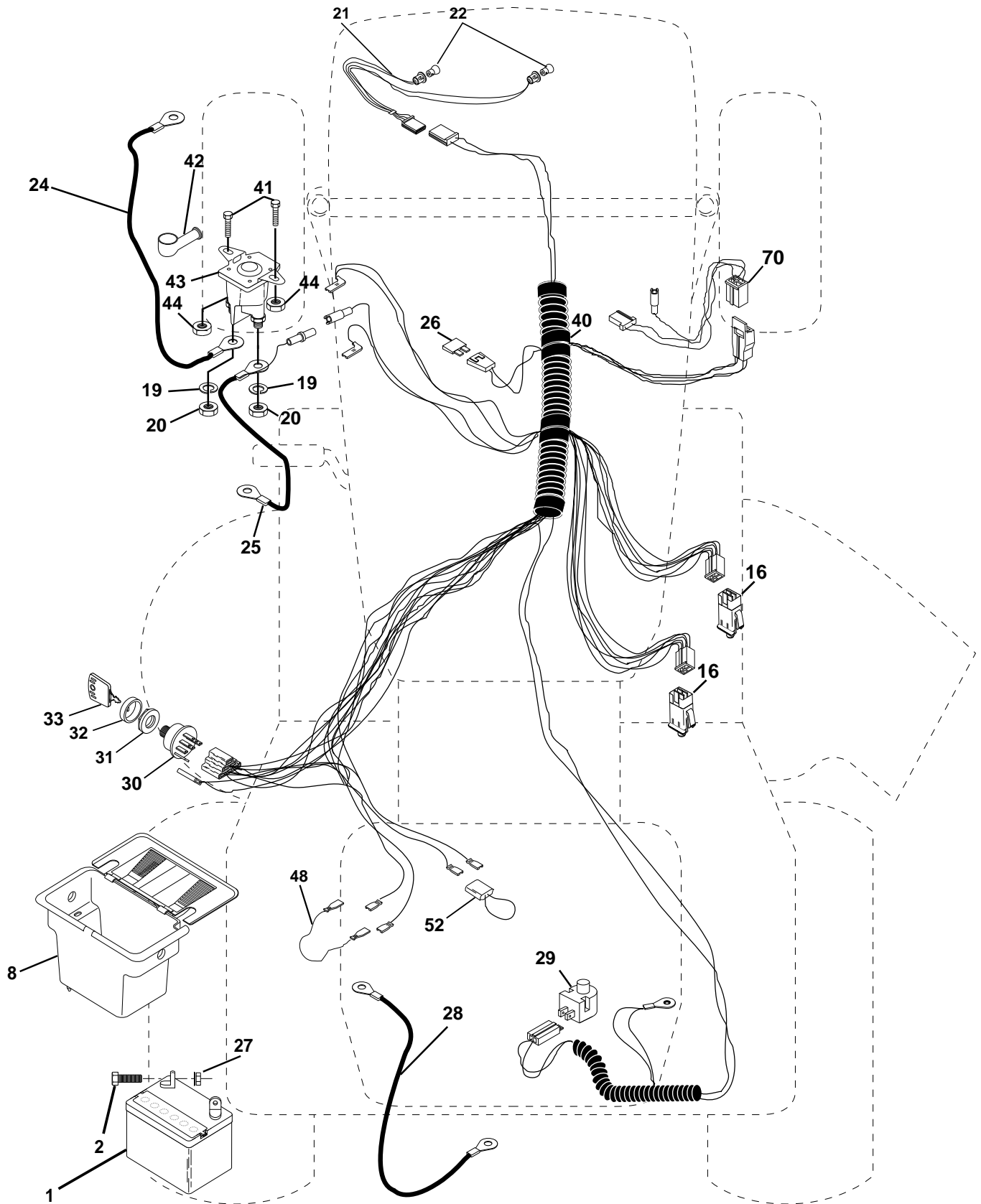
LAWN TRACTOR

MODEL NUMBER 12-105EH (P12H105C)

954 12 00-05

REPAIR PARTS

TRACTOR- -MODEL NO. 12-105EH (P12H105C), PRODUCT NO. 954 12 00-05
ELECTRICAL



REPAIR PARTS

TRACTOR- -MODEL NO. 12-105EH (P12H105C), PRODUCT NO. 954 12 00-05

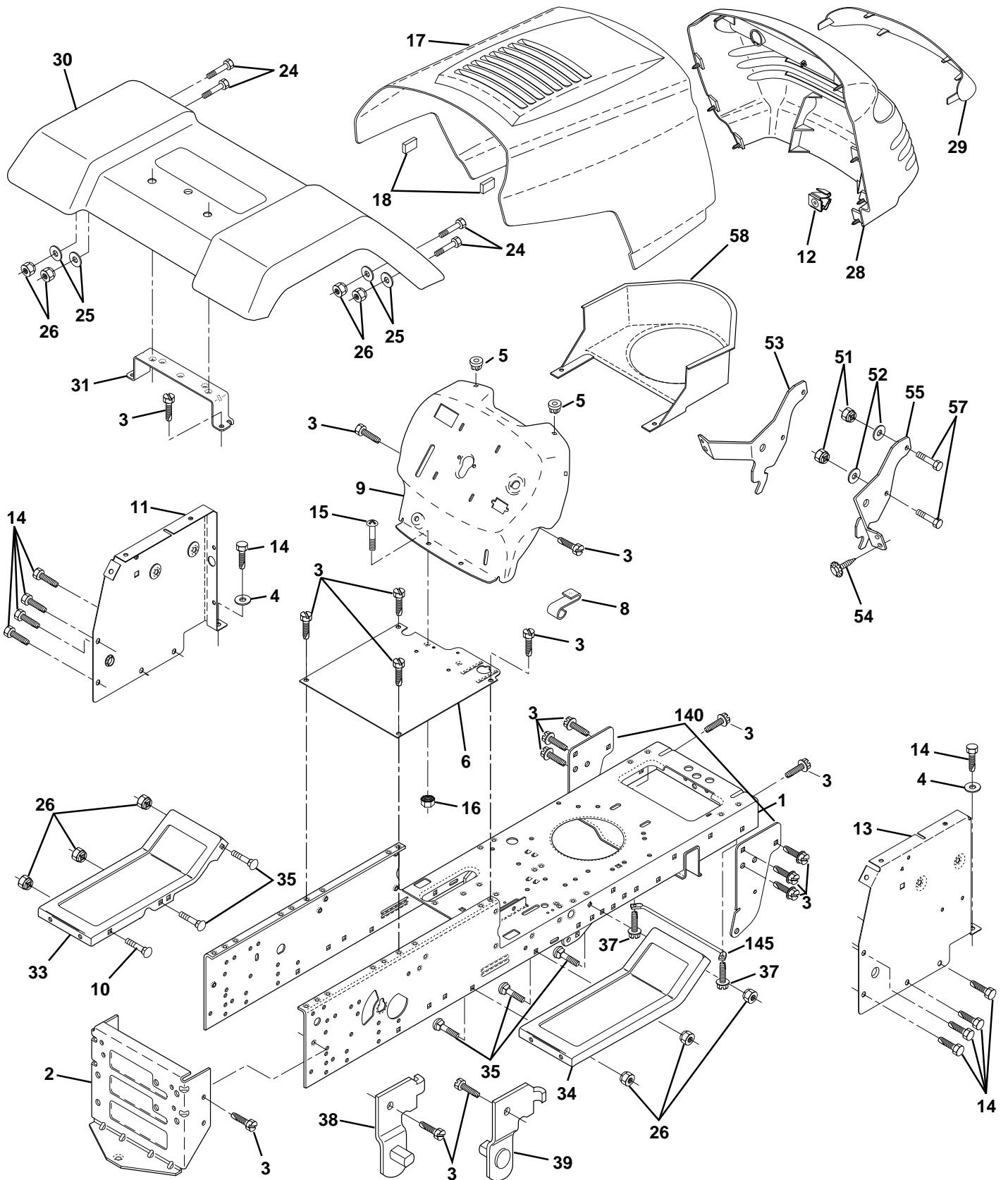
ELECTRICAL

KEY NO.	PART NO.	DESCRIPTION
1	532144925	Battery 12 Volt 25 AMP
2	874760412	Bolt Hex Hd 1/4-20unc X 3/4
8	532156417	Case Battery Hng Mech W/lid
16	532153664	Switch Interlock Push-In
19	810090400	Washer Lock 1/4
20	873350400	Nut Jam Hex 1/4-20 Unc
21	532166181	Harness Asm Light W/4152j
22	532004152	Bulb Light #1156
24	532124780	Cable Battery 6 Ga 11" Red
25	532146147	Cable Battery 6 Ga Red w/16 wir
26	532166180	Fuse 15 AMP
27	873510400	Nut Keps Hex 1/4-20 Unc
28	532124773	Cable Ground 6 Ga 12" black
29	532121305	Switch Plunger Nc Gray
30	532140301	Switch Ign 4 Pos W/Lights
31	532124211	Nut Ignition
32	532141226	Cover Sw Ignition
33	532122147	Key
40	532166145	Harness Ing Cl Am Hm
41	871110408	Bolt Blk Fin Hex 1/4 - 20 x 1/2
42	532131563	Cover Terminal Red
43	532145673	Solenoid
44	873640400	Nut Keps Blk Hex 1/4-20 Unc
48	532140844	Adapter Ammeter Rectangular
52	532141940	Protection Wire Loop
70	532166658	Harness, Eng.

NOTE: All component dimensions given in U.S. inches.
1 inch = 25.4 mm.

REPAIR PARTS

TRACTOR- -MODEL NO. 12-105EH (P12H105C), PRODUCT NO. 954 12 00-05
CHASSIS AND ENCLOSURES



REPAIR PARTS

TRACTOR- -MODEL NO. 12-105EH (P12H105C), PRODUCT NO. 954 12 00-05

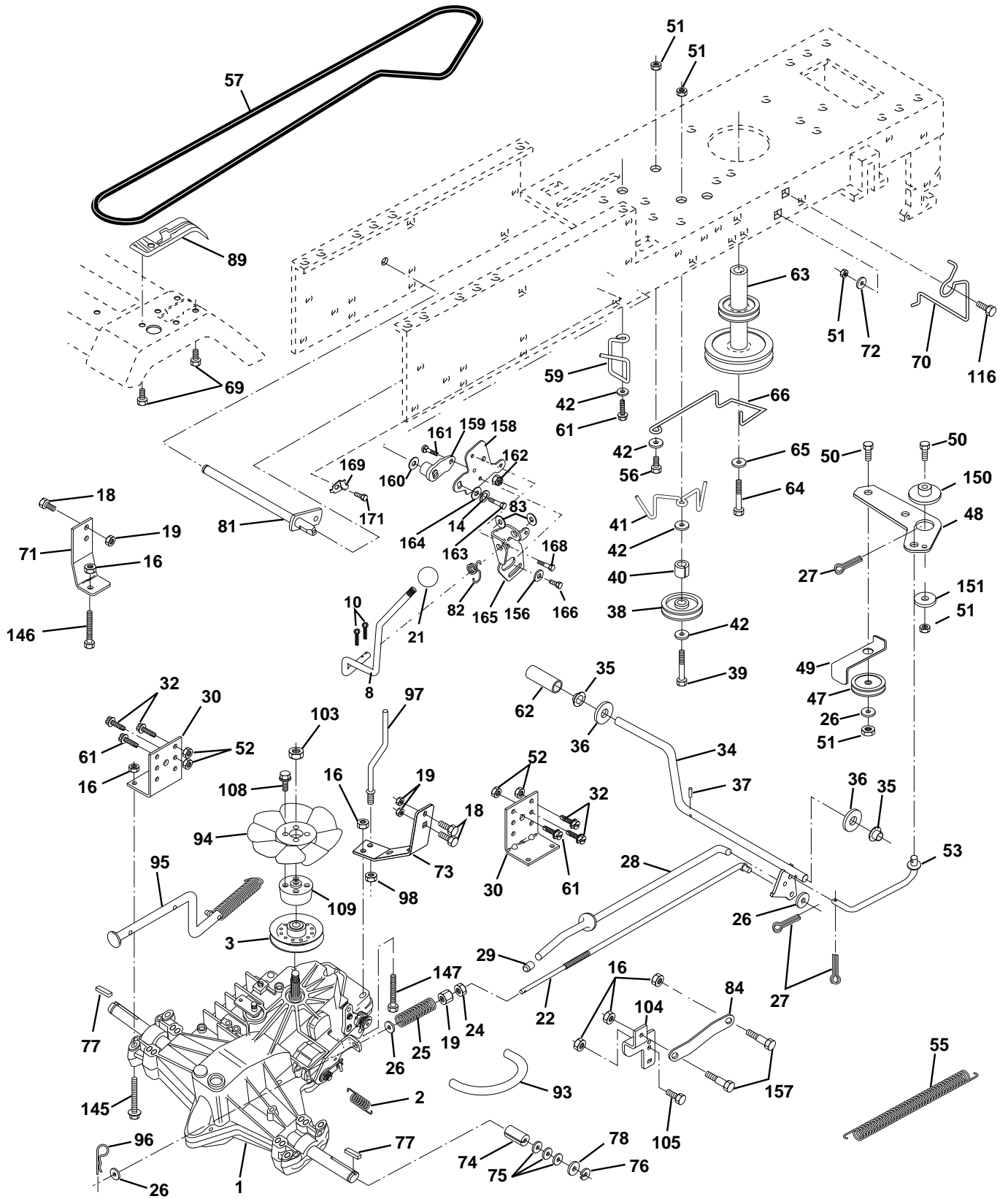
CHASSIS AND ENCLOSURES

KEY NO.	PART NO.	DESCRIPTION
1	532165480	Chassis
2	532140356	Drawbar Stretch
3	817490612	Screw Thdrol 3/8-16 x 3/4 Ty-tt
4	819131216	Washer 13/32 X 3/4 X 16 Ga.
5	532155272	Bumper Hood Dash
6	532155923	Saddle
8	532155138	Clip Retainer Slide-On
9	532162717	Dash
10	872140608	Bolt Rdhd Sqnk 3/8-16unc X 1
11	532155927	Panel Dash LH
12	532145660	Clip Tinnerman Grille P/L
13	532157262	Panel Dash RH
14	817490608	Screw Thdrol 3/8-16x1/2 Ty-tt
15	874180512	Screw Mach Trhd 5/16-18 UNC x 3/4
16	873510500	Nut Keps 5/16-18 UNC
17	532160382	Hood
18	532126938	Bumper Hood
24	874780616	Bolt Fin Hex 3/8-16unc X 1 Gr. 5
25	819131312	Washer 13/32 X 13/16 X 12 Ga.
26	873800600	Nut Lock Hex w/Ins 3/8-16 Unc
28	532157375	Grille Private Label
29	532168154	Lens Grille Private Label
30	532162718	Fender
31	532136619	Bracket Fender Repl 109873x
33	532153539	Footrest Pnt LH
34	532153538	Footrest Pnt RH
35	872110606	Bolt Rdhd Sht Sqnk 3/8-16 X3/4
37	817490508	Screw Thdrol 5/16-18 x 1/2 Tyt
38	532139886	Bracket Asm Pvt LH MWR Rear
39	532139887	Bracket Asm Pvt RH MWR Rear
51	873800400	Nut Lock w/Insert 1/4-20
52	819091416	Washer 9/32 x 7/8 x 16 Ga.
53	532144697	Bracket Grille LH
54	532161464	Screw Hex Wshd 8-18 x 7/8
55	532144696	Bracket Grille RH
57	874780412	Bolt Hex 1/4-20 x 3/4
58	532150127	Air Duct Private Label
140	532158418	Bracket Suspension Front
145	532156524	Rod Pivot Chassis/Hood
--	532005479	Plug Button Blk 359 Dia Choke

NOTE: All component dimensions given in U.S. inches.
1 inch = 25.4 mm.

REPAIR PARTS

TRACTOR- -MODEL NO. 12-105EH (P12H105C), PRODUCT NO. 954 12 00-05
DRIVE



REPAIR PARTS

TRACTOR- -MODEL NO. 12-105EH (P12H105C), PRODUCT NO. 954 12 00-05

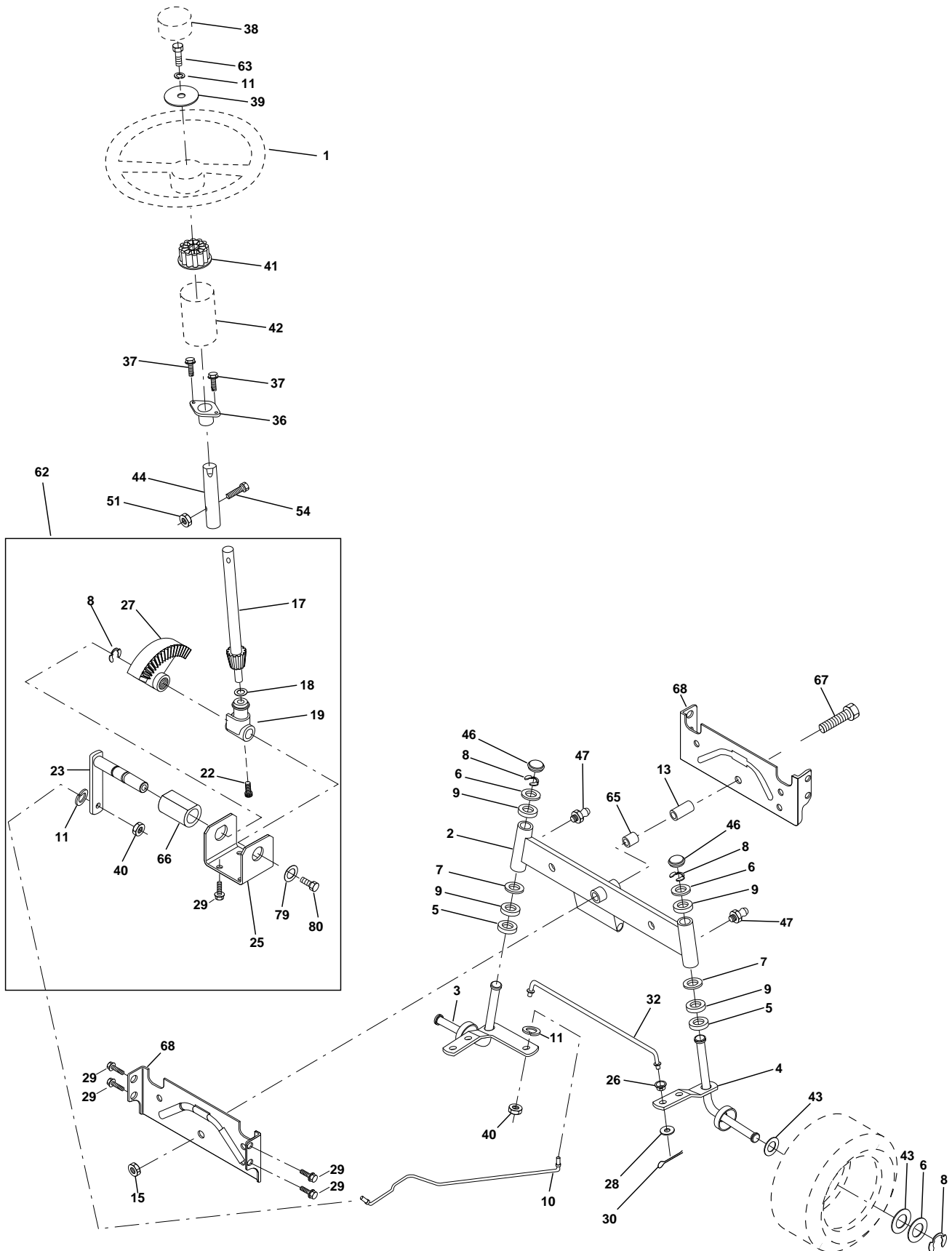
DRIVE

KEY NO.	PART NO.	DESCRIPTION	KEY NO.	PART NO.	DESCRIPTION
1	-----	Transmission Hydro 319-0500 (Order parts from transaxle manufacturer)	70	532134683	Guide, Belt, Mower Drive RH
2	142431	Spring, Return, Brake	71	532141417	Strap, Torque, Lh
3	532144698	Pulley, Transmission	72	819132012	Washer 13/32 x 1-1/4 x 12 Ga.
8	532165619	Rod, Shift	73	532141418	Strap, Torque, Rh
10	876020416	Pin, Cotter 1/8 x 1	74	532121199	Spacer, Split
14	810040400	Washer Lock Hvy Helical	75	532121749	Washer 25/32 x 1-1/4 x 16 Ga.
16	873800500	Nut, Lock Hex w/Ins 5/16-18 UNC	76	812000001	Ring, E
18	874780616	Bolt Hex 3/8-16 UNC x 1 Gr.5	77	532123583	Key, Square
19	873800600	Nut, Lock Hex w/Wsh 3/8-16 UNC	78	532121748	Washer 25/32 x 1-5/8 x 16 Ga.
21	532106933	Knob Rd. 1/2-13 Plstc. Thds. Blk.	81	532165595	Asm, Shaft Cross
22	145627	Rod, Brake	82	532123782	Spring, Torsion
24	873350600	Nut	83	819171216	Washer 17/32 x 3/4 x 16 Ga.
25	532106888	Spring, Rod, Brake	84	532165816	Link, Transaxle
26	819131316	Washer 13/32 x 13/16 x 16 Ga.	89	532166767	Console, Shift
27	876020412	Pin, Cotter 1/8 x 3/4	93	532142564	Line Fuel
28	532145204	Rod, Parking Brake	94	532140462	Fan 7"
29	532071673	Cap, Parking Brake	95	532144643	Control Asm Bypass Hydro
30	532130807	Bracket, Transmission	96	532124788	Spring, Retainer 1"
32	874760512	Bolt Hex 5/16-18 UNC x 3/4	97	532144201	Keeper, Belt Rh
34	532155071	Shaft, Foot Pedal	98	873510600	Nut Keps 3/8-16 UNC
35	532120183	Bearing, Nylon	103	873940800	Nut, Hex Jam Toplock 1/2-20 UNF
36	819211616	Washer	104	532141421	Arm, Control Pump 500 Hydro
37	532124963	Pin, Roll	105	871070516	Bolt, Head Hex 5/16 x 18 x 1
38	532131494	Pulley, Idler, Flat	108	817541026	Screw Hex Wh Hd #10-24 x 1-5/8
39	874760644	Bolt	109	532145098	Adaptor Fan Hydro Lt Hyd Alum
40	532124965	Spacer, Split	116	872110610	Bolt Rdhd Sq Neck 3/8-16 x 1-1/4
41	532165838	Keeper, Belt, Idler	145	874490540	Bolt Hex Flghd 5/16-18 Gr. 5
42	819131312	Washer 13/32 x 13/16 x 12 Ga.	146	874490536	Bolt Hex Flghd 5/16-18 x 2-1/4
47	532127783	Pulley, Idler, V-Belt	147	874490524	Bolt Hex Flghd 5/16-18 x 1-1/2
48	532154407	Bellcrank Clutch Grnd Drustl	150	532165850	Bushing Bellcrank Grd Drive
49	532123205	Retainer, Belt	151	819133210	Washer 13/32 x 2 x 10
50	874760624	Bolt	156	532166002	Washer Srrted 5/16ID x 1.125
51	873680600	Nut	157	532153236	Bolt Shoulder 5/16-18 Unc 2A
52	873680500	Nut Crownlock 5/16-28	158	532165589	Bracket Shift Mount
53	532105710	Link, Clutch	159	532165494	Hub Tapered Flange Shift Lt
55	532105709	Spring, Return, Clutch	160	819292016	Washer 29/32 x 1-1/4 x 16 Ga.
56	874760620	Bolt, Hex 3/8-16 UNC x 1-1/4	161	872140406	Bolt Rdhd Sqnk 1/4-20 x 3/4 Gr 5
57	532141416	V-Belt, Drive	162	873680400	Nut Crownlock 1/4-20 Unc
59	532140312	Keeper, Belt, Center	163	874780416	Bolt Hex Fin 1/4-20 Unc x 1 Gr 5
61	817490612	Screw, Thdrol 3/8-16 x 3/4 Type TT	164	819091010	Washer 5/8 x .281 x 10 Ga.
62	532124872	Cover, Pedal	165	532165623	Bracket Pivot Lever
63	532140186	Pulley, Engine	166	532166880	Screw 5/16-18 x 5/8
64	871170764	Bolt Hex 7/16 x 4 Gr. 5	168	532165492	Bolt Shoulder 5/16-18 x .561
65	810040700	Washer	169	532165581	Plate Fastening Lt
66	532154778	Keeper, Belt Engine F-proof	171	817490608	Screw Thdrol 3/8-16 x 1/2 Ty-Tt
69	532142432	Screw			

NOTE: All component dimensions given in U.S. inches
1 inch = 25.4 mm

REPAIR PARTS

TRACTOR- -MODEL NO. 12-105EH (P12H105C), PRODUCT NO. 954 12 00-05
STEERING ASSEMBLY



REPAIR PARTS

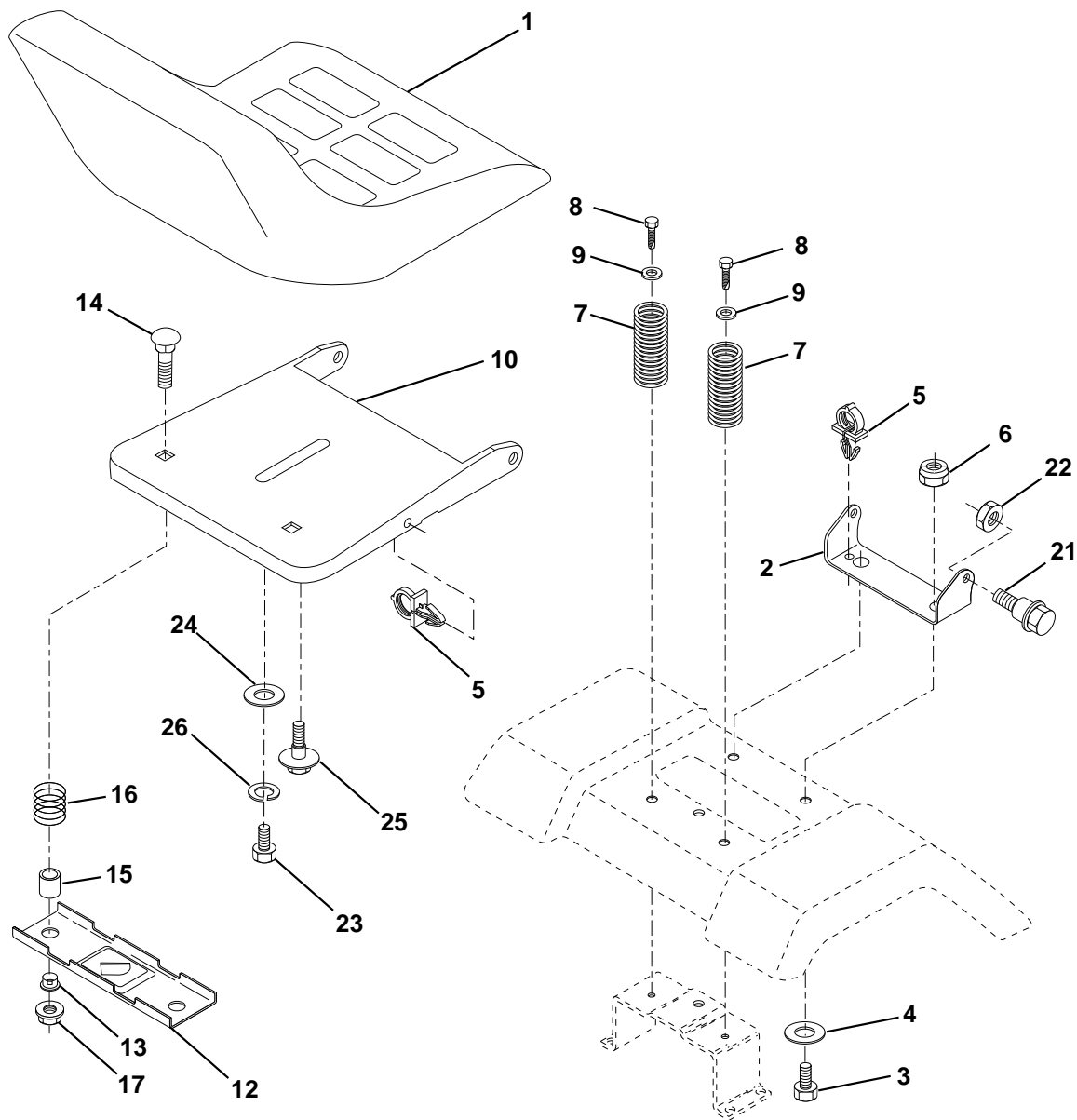
TRACTOR- -MODEL NO. 12-105EH (P12H105C), PRODUCT NO. 954 12 00-05 STEERING ASSEMBLY

KEY NO.	PART NO.	DESCRIPTION
1	532139768	Wheel Steering Opp. Sears Blk
2	532154427	Axle Asm Fr
3	532156483	Spindle Asm LH
4	532157473	Spindle Asm RH
5	532124931	Bearing Race Thrust Harden
6	532121748	Washer 25/32 X 1-5/8 X 16 Ga
7	819272016	Washer 27/32 X 1-1/4 X 16 Ga
8	812000029	Ring Klip #t5304-75
9	532124937	Bearing Col Strg Blk
10	532156438	Link Drag Extended Stamped
11	810040600	Washer Lock Hvy Hlcl Spr 3/8
13	532154779	Bearing Axle
15	873901000	Nut Lock Flange 5/8-11 Unc
17	532156546	Shaft Asm Strg
18	532057079	Washer Thrust 515x 750x 033
19	532160395	Support Shaft
22	532165857	Screw Hex Wshhd Torx
23	532165851	Shaft Asm Pittman
25	532154406	Bracket Steering
26	532126847	Bushing Link Drag Blk LR
27	532136874	Gear Sector
28	819131416	Washer 13/32 X 7/8 X 16 Ga
29	817490612	Screw Thdrol 3/8-16x3/4 Ty-tt
30	876020412	Pin Cotter 1/8 X 3/4 Cad
32	532130465	Rod Tie Wire Form 19 75 Mech
36	532155099	Bushing Strg Nat .623/.618ld
37	532152927	Screw TT #10-32 x 5 x 3/8 Flange
38	532140175	Cap Wheel Steer P/L
39	819133808	Washer 13/32 X 2-3/8 X 8 Ga
40	532124701	Nut Lock Center 3/8-24unf
41	532100711	Adaptor Wheel Strg
42	532145054	Boot Shaft Steering
43	532121749	Washer 25/32 X 1 1/4 X 16 Ga
44	532153720	Extension Steering
46	532121232	Cap Spindle Fr Top Blk
47	532124836	Fitting Grease
51	873800500	Nut Lock Hx w/Ins 5/16-18 Unc
54	874780520	Bolt Fin Hex 5/16-18 Unc x 1-1/4
62	532167902	Kit Steering Assembly Serv
63	874780616	Bolt Fin Hex 3/8-16 UNC Gr. 5
65	532154780	Spacer Axle
66	532154404	Bearing Arm Pittman
67	874781044	Bolt Fin Hex 5/8-11 UNC x 2-3/4
68	532154429	Brace Axle
79	819132012	Washer 13/32 x 1-1/4 x 12 Ga.
80	874950612	Bolt Hex Nylon 3/8-16 x 3/4

NOTE: All component dimensions given in U.S. inches.
1 inch = 25.4 mm.

REPAIR PARTS

TRACTOR- -MODEL NO. 12-105EH (P12H105C), PRODUCT NO. 954 12 00-05
SEAT ASSEMBLY



KEY NO.	PART NO.	DESCRIPTION
1	532140116	Seat
2	532140551	Bracket Pivot Seat 8 720
3	874760616	Bolt Fin Hex 3/8-16unc X 1
4	819131610	Washer 13/32 X 1 X 10 Ga
5	532145006	Clip Push-In
6	873800600	Nut Lock Hex w/Wsh 3/8-16 Unc
7	532124181	Spring Seat Cprsn 2 250 Blk Zi
8	817490616	Screw Thdrol 3/8-16 X 1 Ty-tt
9	819131614	Washer 13/32 X 1 X 14 Ga.
10	532155925	Pan Seat
12	532121246	Bracket Mounting Switch

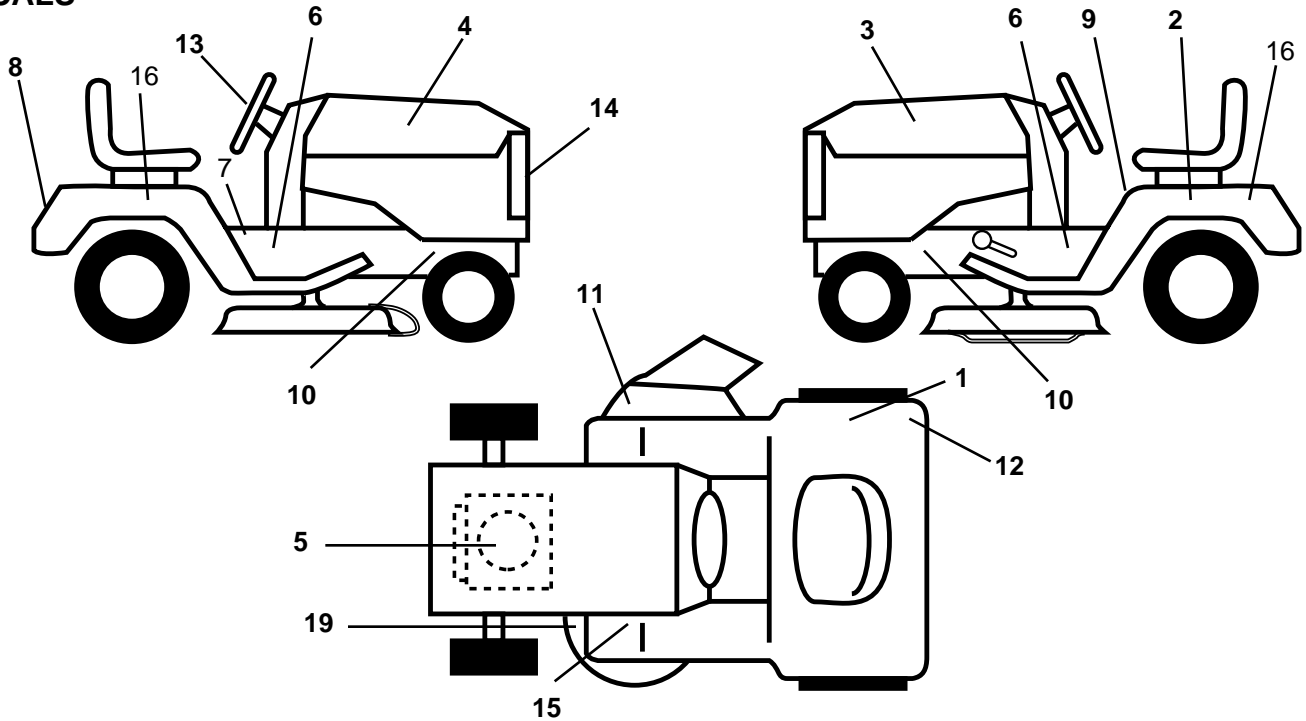
KEY NO.	PART NO.	DESCRIPTION
13	532121248	Bushing Snap Blk Nyl 50 Id
14	872050412	Bolt Rdhd Sht Nk 1/4-20x1-1/2
15	532134300	Spacer Split 28x 96 Yel Zinc
16	532121250	Spring Cprsn 1 27 Blk Pnt
17	532123976	Nut Lock 1/4 Lge Flg Gr 5 Zinc
21	532153236	Bolt Shoulder 5/16-18 Unc -2A
22	873800500	Nut Lock Hex W/Insert 5/16-18 UNC
23	874780814	Bolt Fin 1/2 - 13 x 7/8 Fr. 5
24	819171912	Washer 17/32 X 1-3/16 X 12 Ga.
25	532127018	Bolt Shoulder 5/16-18 X 62
26	810040800	Washer Lock Hvy HLCLSPR 1/2

NOTE: All component dimensions given in U.S. inches.
1 inch = 25.4 mm

REPAIR PARTS

TRACTOR- -MODEL NO. 12-105EH (P12H105C), PRODUCT NO. 954 12 00-05

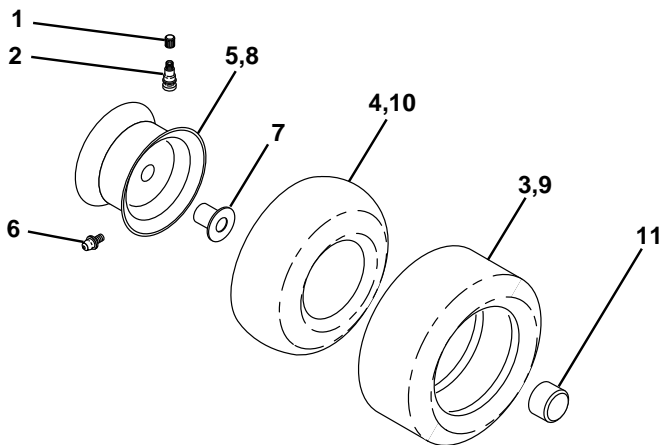
DECALS



KEY NO.	PART NO.	DESCRIPTION
1	532145437	Decal Europe Stand CE
2	532145005	Decal Bat Dan/Poi P/L Symbols
3	532166748	Decal Hood LH
4	532166747	Decal Hood RH
5	532165297	Decal Engine
6	532137588	Decal Chas. Turbo Collection
7	532140837	Decal Saddle Brake Parking
8	532140987	Decal Fender Bernard
9	532145498	Decal Read Owners Manual Syms
10	532159736	Decal Chassis Hot Muffler
11	532145494	Decal Mower Cut finger Symbol

KEY NO.	PART NO.	DESCRIPTION
12	532126187	Decal 100 DbA
13	532146998	Decal Strg Wheel Cap
14	532140986	Decal Logo Grille
15	532159737	Decal Brake/Clutch
16	532140950	Decal Fender Automatic Partner
19	532160396	Decal V-Belt Sch
--	532142341	Decal Drawbar Cntrl Mvt Hyd Lt
--	532162598	Decal Drawbar Load Limit
--	532138311	Decal Lift Handle (Lift Handle)
--	532162572	Manual Operator's Euro
--	532162573	Manual Operator's Scan

WHEELS & TIRES

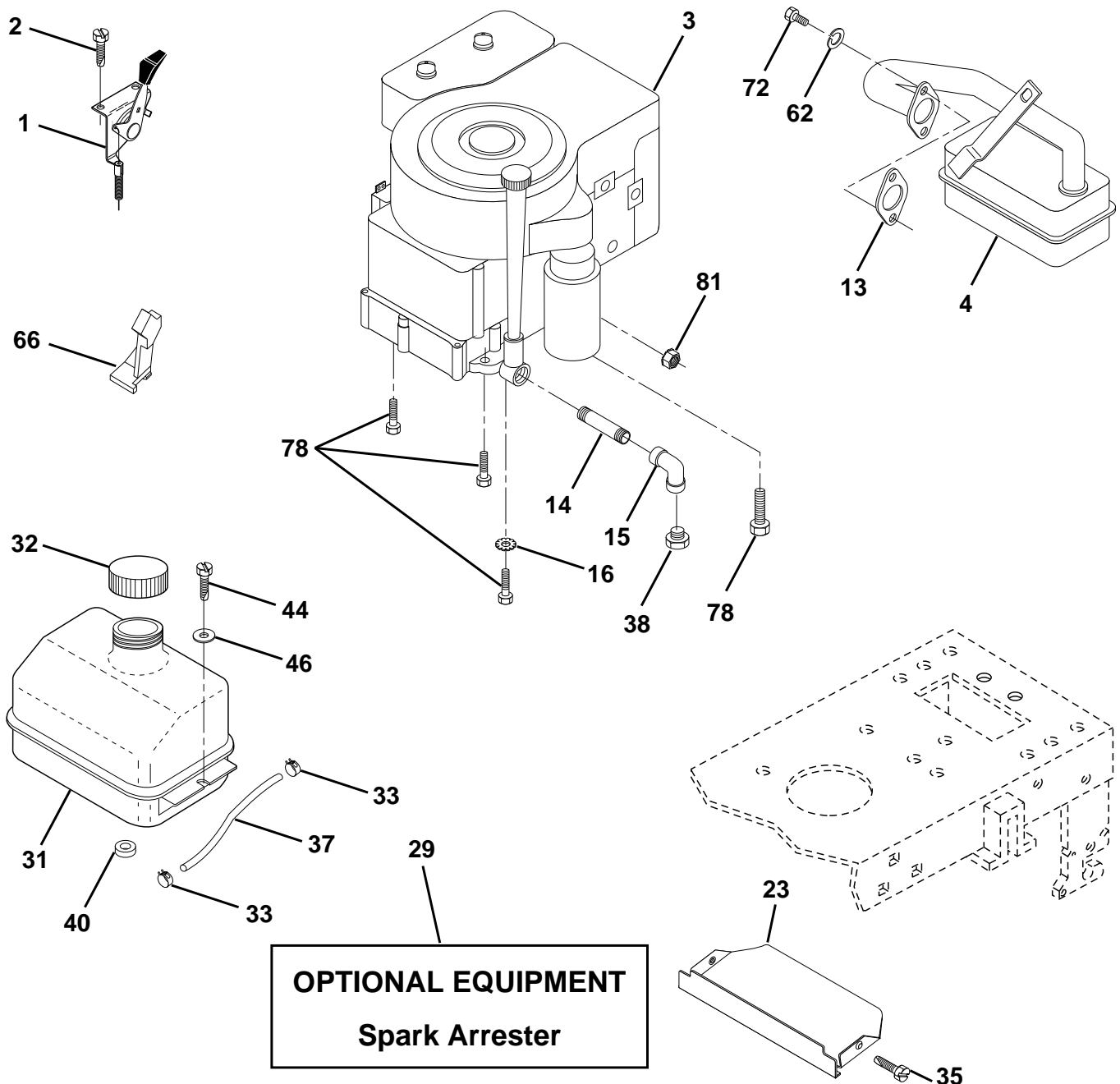


KEY NO.	PART NO.	DESCRIPTION
1	532059192	Cap Valve Tire
2	532065139	Stem Valve
3	532106222	Tire F Ts 15 X 6 0 - 6 Service
4	532059904	Tube Front (Service Item Only)
5	532125121	Rim Asm 6" front Yellow Service
6	532124957	Fitting Grease (Front Wheel Only)
7	532124959	Bearing Flange (Front Wheel Only)
8	532125122	Rim Asm 8" rear Yellow Service
9	532106268	Tire R Ts 18 x 9.5-8 C. Service
10	532124926	Tube Rear (Service Item Only)
11	532104757	Cap Axle Blk 1 50 X 1 00

NOTE: All component dimensions given in U.S. inches
1 inch = 25.4 mm

REPAIR PARTS

TRACTOR- -MODEL NO. 12-105EH (P12H105C), PRODUCT NO. 954 12 00-05
ENGINE



REPAIR PARTS

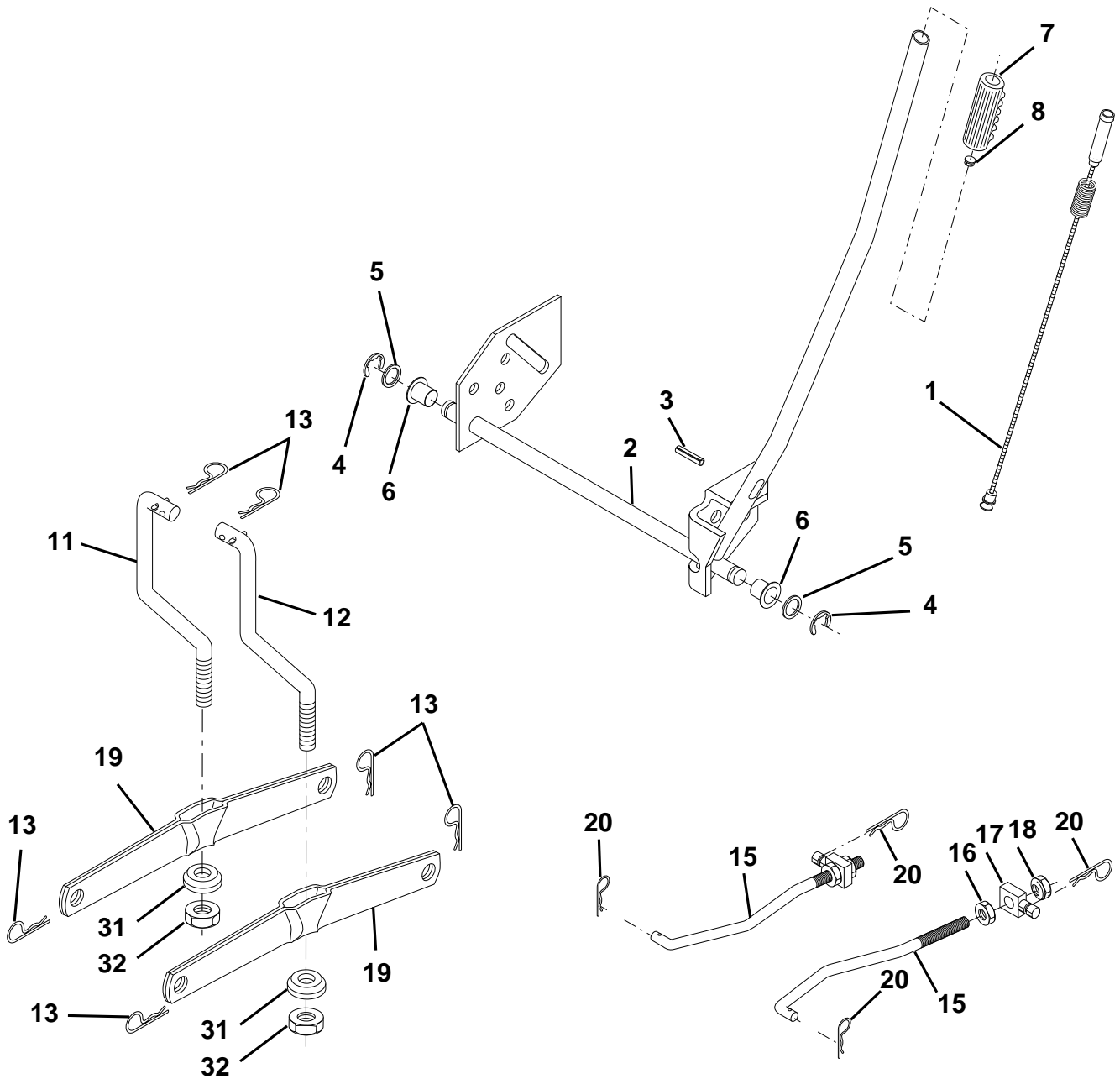
TRACTOR- -MODEL NO. 12-105EH (P12H105C), PRODUCT NO. 954 12 00-05
ENGINE

KEY NO.	PART NO.	DESCRIPTION
1	532141359	Control Th/ch Lh Flag Eec
2	817720410	Screw Hex Thd Cut 1/4-20x5/8 T
3	-----	Engine B&S Model No. 289707 (Order parts from engine manufacturer)
4	532137348	Muffler LT B&S 12/12 5 HP
13	532165291	Gasket Eng
14	813280324	Nipple Pipe 3/8 Npt X 3"
15	813200300	Elbow Std 90 Degree 3/8-18 Npt
16	811050600	Washer Lock Ext Tooth 3/8
23	532159880	Shield Brn/Dbr Guard
29	532137180	Kit Spark Arrecter
31	532109202	Tank Fuel Front 1.25
32	532140527	Cap Asm Fuel W/sym Vented
33	532123487	Clamp Hose Blk
35	817490512	Screw Thdrol 5/16-18 x 3/4
37	532137040	Line Fuel 20"
38	-----	Plug Oil Drain (Order From Engine Manufacturer)
40	532124028	Bushing Snap Nyl Blk Fuel Line
44	817490412	Screw Hexwsh Thdrol 1/4-20x3/4
46	819091416	Washer 9/32 X 7/8 X 16 Ga.
62	810040500	Washer Lock Hvy Hlcl Spr 5/16
66	532127951	Stop Throt 3000 Rpm
72	871070512	Screw Hexhd Cap 5/16-18x3/4
78	817490620	Screw Thdrol 3/8-16x1-1/4 TYTT
81	532128861	Nut Flange 1/4-20

NOTE: All component dimensions given in U.S. inches
1 inch = 25.4 mm

REPAIR PARTS

TRACTOR- -MODEL NO. 12-105EH (P12H105C), PRODUCT NO. 954 12 00-05
MOWER LIFT



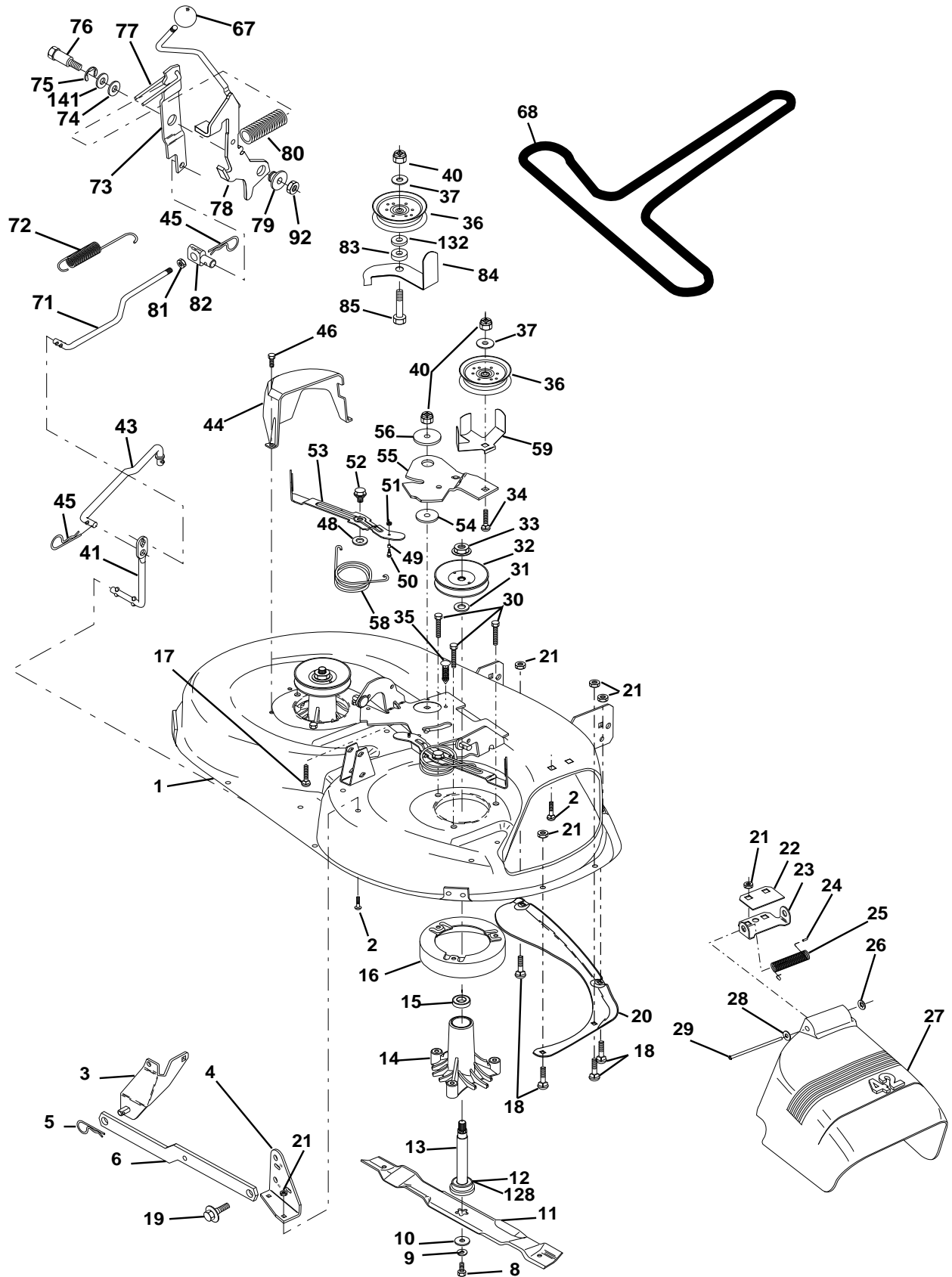
KEY NO.	PART NO.	DESCRIPTION
1	532159460	Wire Asm Inner W/Plunger
2	532159471	Shaft Asm Lift
3	532105767	Pin Groove
4	812000002	E Ring #5133-62
5	819211621	Washer PLTD 21/32 X 1 X 21ga
6	532120183	Bearing Nylon Blk 629 Id
7	532109413	Grip Handle Bicycle Matte Blk
8	532124526	Button Plunger Black
11	532139865	Link Lift LH
12	532139866	Link Lift RH

KEY NO.	PART NO.	DESCRIPTION
13	532124670	Retainer Spring
15	532127218	Link Front
16	873350800	Nut Jam Hex 1/2-13 Unc
17	532130171	Trunnion Blk Zinc
18	873680800	Nut Crownlock 1/2-13 Unc
19	532139868	Arm Suspension Rear
20	532163522	Retainer Spring
31	532140302	Bearing Pvt Lift Spherical
32	873540600	Nut Crownlock 3/8-24

NOTE: All component dimensions given in U.S. inches
1 inch = 25.4 mm

REPAIR PARTS

TRACTOR- -MODEL NO. 12-105EH (P12H105C), PRODUCT NO. 954 12 00-05
MOWER



REPAIR PARTS

TRACTOR- -MODEL NO. 12-105EH (P12H105C), PRODUCT NO. 954 12 00-05
MOWER

KEY NO.	PART NO.	DESCRIPTION	KEY NO.	PART NO.	DESCRIPTION
1	532164961	Housing Asm Mower 42" T-Path	45	532124788	Spring Retainer 1" Zinc/cad
2	872140506	Bolt Rdhd Sqnk 5/16-18unc X3/4	46	532137729	Screw Hex Thd Cut 1/4-20x5/8 T
3	532138017	Bracket Asm Fr Sway Bar 38/42	48	532133944	Washer Hardened Smaller
4	532138440	Bracket Asm Deck 42" sway Bar	49	532155066	Roller Asm Cam Follower 42" dec
5	532124670	Retainer Spring	50	532131340	Bolt Shldr 10-24 Zinc Gr 5 42"
6	532130832	Arm Suspension Rear	51	532069180	Nut Lock #10-24 Unc
8	532850857	Bolt 3/8 - 24 X 1.25 Gr 8	52	532139888	Bolt Shoulder 5/16-18 Unc Blkz
9	810030600	Washer Lock Hvy 3/8 Unplated	53	532131845	Arm Asm Pad Brake
10	532140296	Washer Hard Blade Mower	54	532133943	Washer Hardened
11	532138498	Blade Mower High Lift	55	532155046	Arm Idler 42" mower LT/YT
12	532129895	Bearing Ball # 6204 (Mandrel)	56	532122052	Spacer Retainer Pm Mower
13	532137645	Shaft Asm W/Lower Bearing	58	532140086	Spring Torsion Brakes 42"
14	532128774	Housing Mandrel Vented (Machd)	59	532141043	Guard TUV Idler
15	532110485	Bearing Ball Mandrel	67	532162132	Knob Rd
16	532140329	Stripper Round Mower	68	532144200	V-Belt Mower
17	872110610	Bolt Rdhd Sqnk 3/8-16 X 1-1/4	71	532142427	Rod Clutch Primary 38/42
18	872140505	Bolt Carr 5/16-18 X 5/8	72	532131870	Spring Return
19	532132827	Bolt Shoulder	73	532127847	Arm Clutch Secondary
20	532159770	Baffle Vortex 42"	74	532121748	Washer 25/32 X 1-5/8 X 16 Ga
21	873680500	Nut Crown Lock 5/16-18	75	812000029	Ring Klip #t5304-75
22	532134753	Stiffener Bracket 42" deck	76	532128903	Bolt Shoulder 3/8-16 Unc 1 44
23	532131267	Bracket Deflector Mower 42"	77	532127845	Keeper Spring 4 000
24	532105304	Cap Sleeve 80x 112 Blk Mower	78	532160570	Arm Asm Clutch Primary
25	532123713	Spring Torsion Deflector 2 52	79	532127498	Bushing 747 Od X 794 Lg Brass
26	532110452	Nut Push Phos & Oil	80	532153701	Spring Clutch Mower
27	532130968	Shield Deflector Mower 42"	81	873350600	Nut Hex Jam
28	819111016	Washer 11/32 X 5/8 X 16 Ga.	82	532142028	Trunnion Adj.
29	532131491	Rod Hinge 42" 6 75 Wlg	83	532120958	Washer Sintered
30	532157722	Screw Thdrol Washer Head	84	532156084	Keeper Belt Idler
31	532129963	Washer Spacer Mower Vented	85	872140620	Bolt RdHd Sqnk 3/8-16 x 2-1/2 Gr. 5
32	532153535	Pulley Mandrel 42/44/50	92	873800600	Nut Lock Hex w/Wsh 3/8-16 Unc
33	532137266	Nut 9/16 Top Lock Fling Oil Dip	128	532153390	Washer Felt
34	872110614	Bolt Rdhd 3/8-16unc X 1-3/4 Gr5	132	819132203	Spacer Washer 13/32 I.D. x 1-3/8 O.D. x 1/4
35	532133835	Fastner Christmas Tree	141	532124931	Washer Thrust .75 x 1.230
36	532131494	Pulley Idler Flat 3 060	--	532164962	Deck Serv 42" Mech Vent
37	819131316	Washer 13/32 X 13/16 X 16	--	532130794	Mandrel Asm Service (Includes Key Nos. 8-10, 12-15, 31 and 33)
40	873680600	Nut, Crownlock 3/8-16 UNC			
41	532133551	Rod Pivot W/nibs			
43	532140083	Rod Clutch Secondary W/nibs			
44	532140088	Guard Mandrel LH Black			

NOTE: All component dimensions given in U.S. inches
1 inch = 25.4 mm