

**ILLUSTRATED PARTS BREAKDOWN**

**PARTNER**

**12 HP, 42" MOWER DECK**

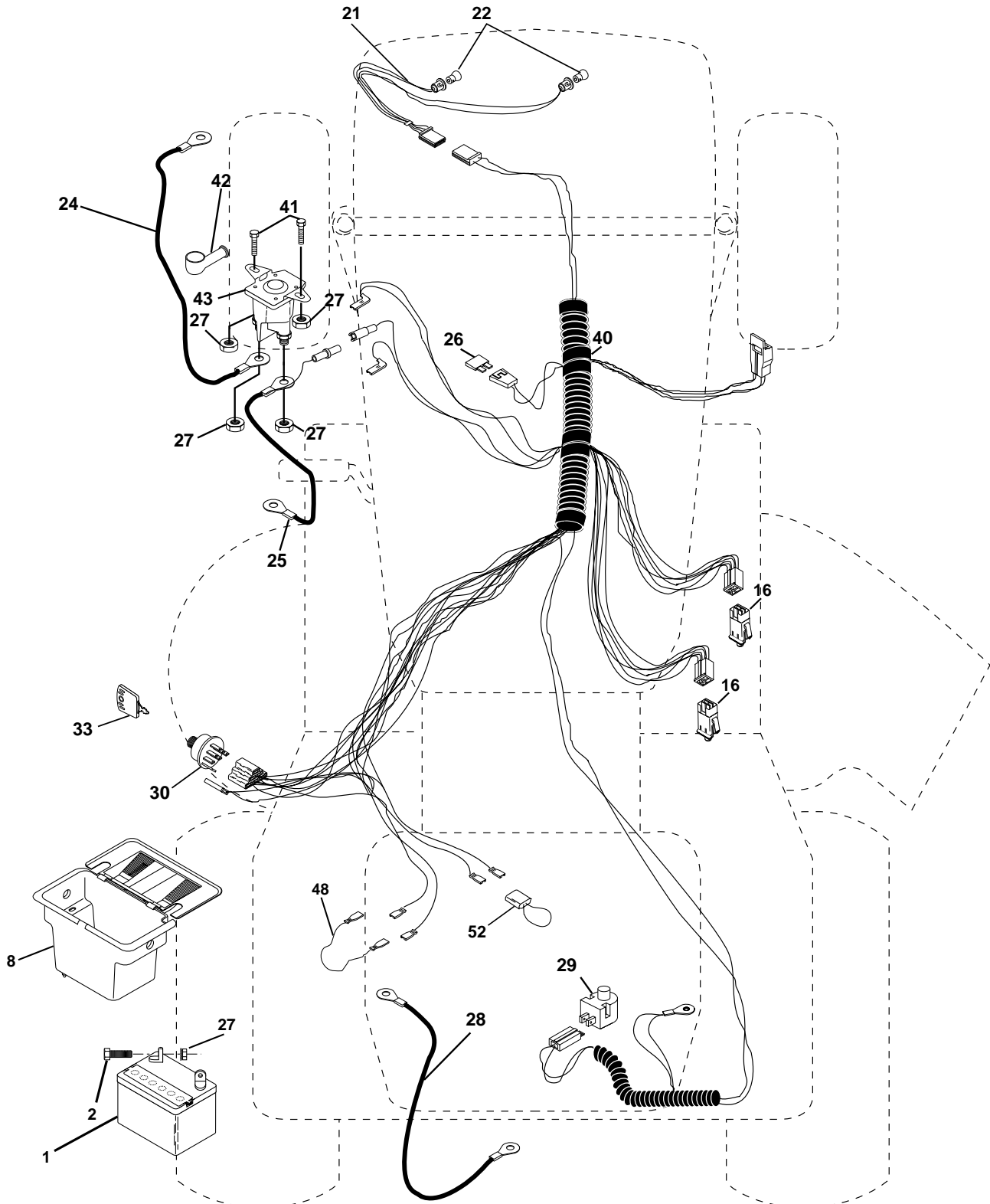
**LAWN TRACTOR**

**MODEL NUMBER 12-107H (P12H105G)**

**954 12 00-31**

# REPAIR PARTS

TRACTOR- -MODEL NO. 12-107H (P12H105G), PRODUCT NO. 954 12 00-31  
ELECTRICAL



# REPAIR PARTS

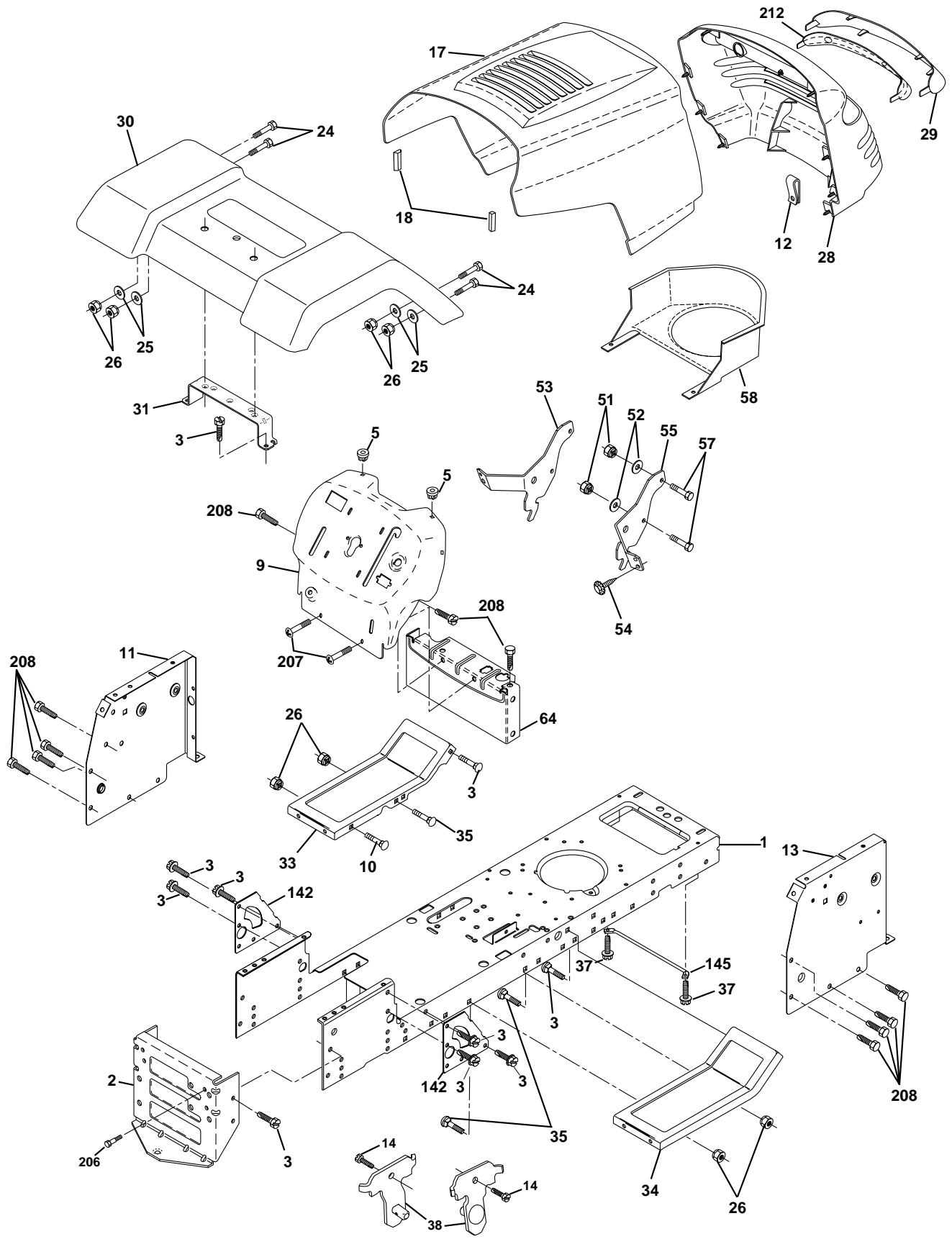
TRACTOR- -MODEL NO. 12-107H (P12H105G), PRODUCT NO. 954 12 00-31  
ELECTRICAL

KEY NO.	PART NO.	DESCRIPTION
1	532144925	Battery 12 Volt 25 AMP
2	874760412	Bolt Hex Hd 1/4-20unc X 3/4
8	532156417	Case Battery Hng Mech W/lid
16	532153664	Switch Interlock Push-In
21	532166181	Harness Asm Light W/4152j
22	532004152	Bulb Light #1156
24	532124780	Cable Battery 6 Ga 11" Red
25	532146147	Cable Battery 6 Ga Red w/16 wir
26	532175158	Fuse
27	873510400	Nut Keps Hex 1/4-20 Unc
28	532124773	Cable Ground 6 Ga 12" black
29	532121305	Switch Plunger Nc Gray
30	532175566	Switch Ign
33	532140401	Key
40	<b>532178437</b>	Harness Ing Cl Am Hm
41	871110408	Bolt Blk Fin Hex 1/4 - 20 x 1/2
42	532131563	Cover Terminal Red
43	532175141	Solenoid
48	532140844	Adapter Ammeter Rectangular
52	532141940	Protection Wire Loop

**NOTE:** All component dimensions given in U.S. inches.  
1 inch = 25.4 mm.

# REPAIR PARTS

TRACTOR- -MODEL NO. 12-107H (P12H105G), PRODUCT NO. 954 12 00-31  
CHASSIS AND ENCLOSURES



# REPAIR PARTS

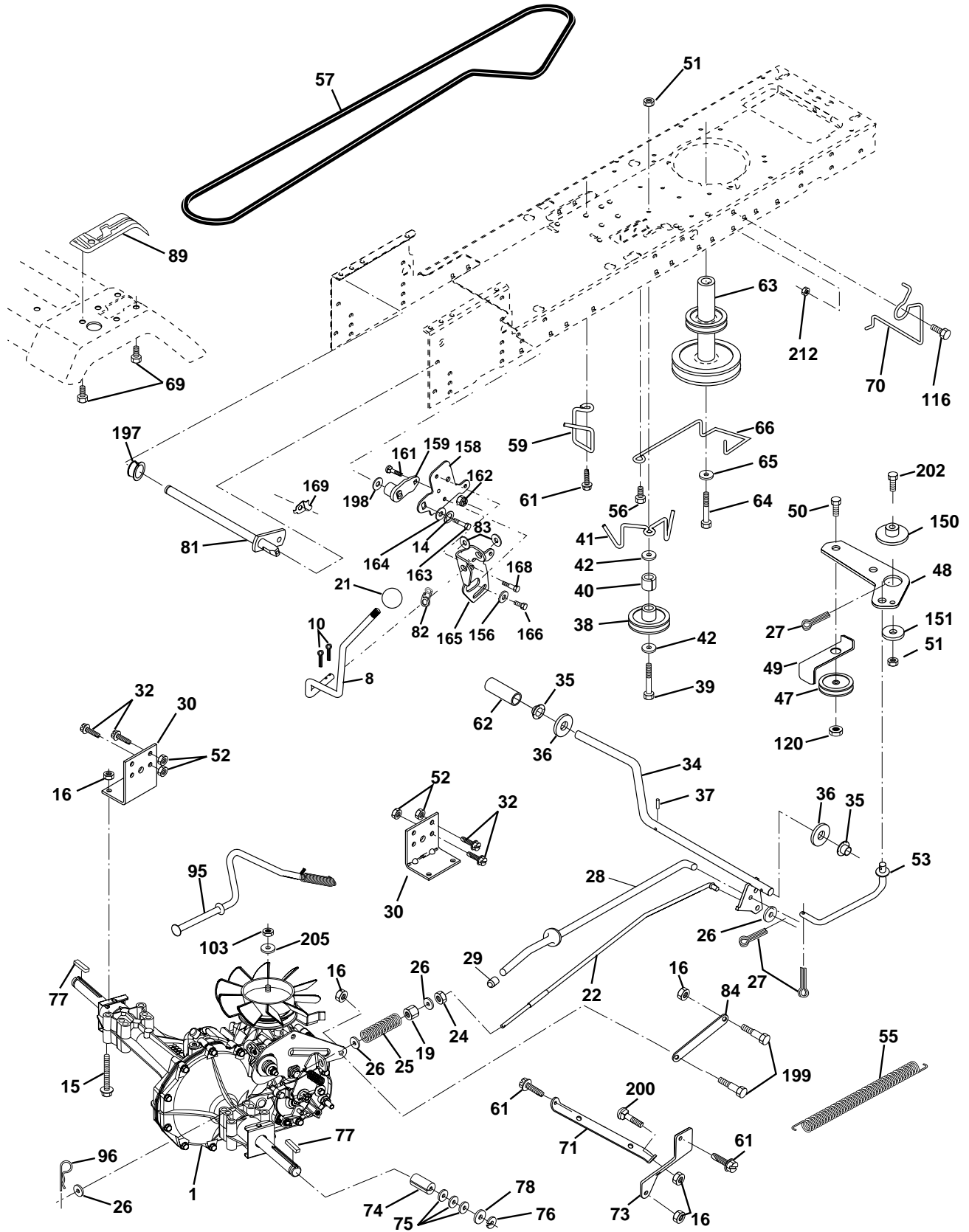
TRACTOR- -MODEL NO. 12-107H (P12H105G), PRODUCT NO. 954 12 00-31  
CHASSIS AND ENCLOSURES

KEY NO.	PART NO.	DESCRIPTION
1	<b>532174619</b>	Chassis
2	<b>532176554</b>	Drawbar
3	817060612	Screw 3/8-16 x .75
5	532155272	Bumper Hood Dash
9	<b>532168336</b>	Dash
10	872140608	Bolt Rdhd Sqnk 3/8-16unc X 1
11	532155927	Panel Dash LH
12	532145660	Clip Tinnerman Grille P/L
13	<b>532172107</b>	Panel Dash RH
14	<b>817490608</b>	Screw Thdrol 3/8-16 x 1/2
17	<b>532159639</b>	Hood
18	532126938	Bumper Hood
24	874780616	Bolt Fin Hex 3/8-16unc X 1 Gr. 5
25	819131312	Washer 13/32 X 13/16 X 12 Ga.
26	873800600	Nut Lock Hex w/Ins 3/8-16 Unc
28	532143499	Grille/Lens Asm
29	<b>532140273</b>	Lens Grille Private Label
30	<b>532169468</b>	Fender
31	532136619	Bracket Fender Repl 109873x
33	<b>532105476</b>	Footrest Pnt LH
34	<b>532105475</b>	Footrest Pnt RH
35	872110606	Bolt Rdhd Sht Sqnk 3/8-16 X3/4
37	817490508	Screw Thdrol 5/16-18 x 1/2 Tyt
38	<b>532175710</b>	Bracket Asm Pivot Mower Rear
51	873800400	Nut Lock w/Insert 1/4-20
52	819091416	Washer 9/32 x 7/8 x 16 Ga.
53	532144697	Bracket Grille LH
54	532161464	Screw Hex Wshd 8-18 x 7/8
55	532144696	Bracket Grille RH
57	874780412	Bolt Hex 1/4-20 x 3/4
58	532150127	Air Duct Private Label
64	532154798	Dash Lower STLT
142	532165867	Plate Reinforcement STLT
145	532156524	Rod Pivot Chassis/Hood
206	532170165	Bolt Shoulder 5/16-18
207	817670508	Screw Thdrol 5/16-18 x 1/2
208	817670608	Screw Thdrol 3/8-16 x 1/2
212	532156229	Insert Lens Reflective
--	532005479	Plug Button Blk 359 Dia Choke

**NOTE:** All component dimensions given in U.S. inches.  
1 inch = 25.4 mm.

# REPAIR PARTS

TRACTOR- -MODEL NO. 12-107H (P12H105G), PRODUCT NO. 954 12 00-31  
DRIVE



# REPAIR PARTS

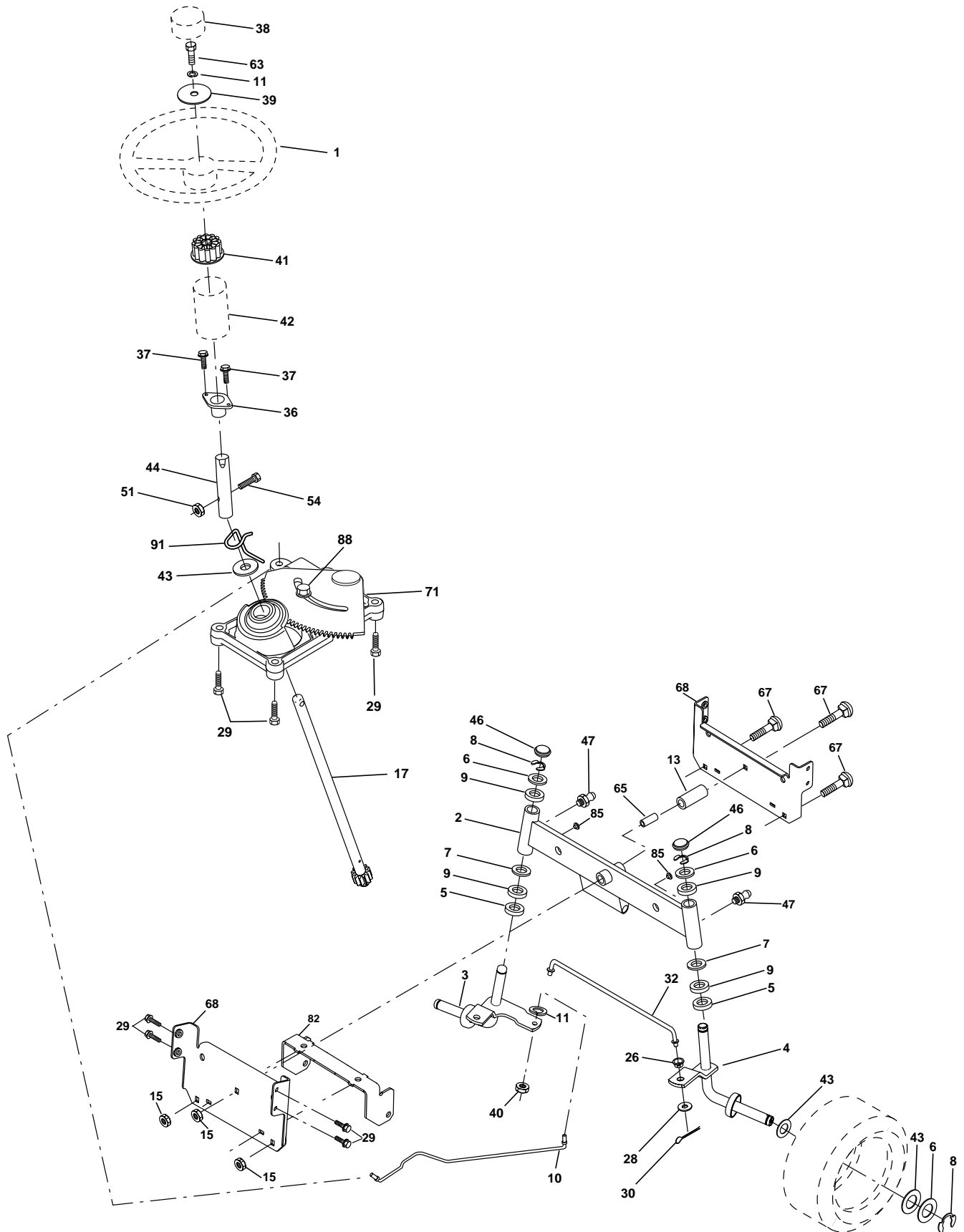
TRACTOR- -MODEL NO. 12-107H (P12H105G), PRODUCT NO. 954 12 00-31  
DRIVE

KEY NO.	PART NO.	DESCRIPTION	KEY NO.	PART NO.	DESCRIPTION
1	-----	Transmission Hydro 322-0510 (Order parts from transaxle manufacturer)	65	810040700	Washer
8	532165619	Rod, Shift	66	532154778	Keeper, Belt Engine F-proof
10	876020416	Pin, Cotter 1/8 x 1	69	532142432	Screw
14	810040400	Washer Lock Hvy Helical	70	532134683	Guide, Belt, Mower Drive RH
15	874490544	Bolt Hex FLGHD 5/16-18 Gr. 5	71	532169183	Strap, Torque, Lh
16	873800500	Nut, Lock Hex w/Ins 5/16-18 UNC	73	532169182	Strap, Torque, Rh
19	873800600	Nut, Lock Hex w/Wsh 3/8-16 UNC	74	532137057	Spacer, Axle
21	532106933	Knob Rd. 1/2-13 Plstc. Thds. Blk.	75	532121749	Washer 25/32 x 1-1/4 x 16 Ga.
22	532169498	Rod, Brake	76	812000001	Ring, E
24	873350600	Nut	77	532123583	Key, Square
25	532106888	Spring, Rod, Brake	78	532121748	Washer 25/32 x 1-5/8 x 16 Ga.
26	819131316	Washer 13/32 x 13/16 x 16 Ga.	81	532165596	Asm, Shaft Cross
27	876020412	Pin, Cotter 1/8 x 3/4	82	532123782	Spring, Torsion
28	<b>532175765</b>	Rod, Parking Brake	83	819171216	Washer 17/32 x 3/4 x 16 Ga.
29	532071673	Cap, Parking Brake	84	532169843	Link, Transaxle
30	532174973	Bracket, Transmission	89	<b>532169373</b>	Console, Shift
32	874760512	Bolt Hex 5/16-18 UNC x 3/4	95	532170201	Control Asm Bypass Hydro
34	<b>532175578</b>	Shaft, Foot Pedal	96	532124788	Spring, Retainer 1"
35	532120183	Bearing, Nylon	103	873940800	Nut Hex Jam Toplock 1/2-20 UNF
36	819211616	Washer	116	<b>872140608</b>	Bolt 3/8-16 x 1
37	532124963	Pin, Roll	120	<b>873900600</b>	Nut Lock 3/8-16
38	<b>532165936</b>	Pulley, Composite, Flat	150	<b>532175456</b>	Spacer Retainer
39	<b>874760648</b>	Bolt 3/8-16 x 3	151	819133210	Washer 13/32 x 2 x 10
40	<b>532175461</b>	Spacer, Split	156	532166002	Washer Srrted 5/16ID x 1.125
41	<b>532175556</b>	Keeper, Belt, Idler	158	532165589	Bracket Shift Mount
42	819131312	Washer 13/32 x 13/16 x 12 Ga.	159	532165494	Hub Tapered Flange Shift Lt
47	532127783	Pulley, Idler, V-Belt	161	872140406	Bolt Rdhd Sqnk 1/4-20 x 3/4 Gr 5
48	532154407	Bellcrank Clutch Grnd Drustl	162	873680400	Nut Crownlock 1/4-20 Unc
49	532123205	Retainer, Belt	163	874780416	Bolt Hex Fin 1/4-20 Unc x 1 Gr 5
50	874760624	Bolt	164	819091010	Washer 5/8 x .281 x 10 Ga.
51	873680600	Nut	165	532165623	Bracket Pivot Lever
52	873680500	Nut Crownlock 5/16-28	166	532166880	Screw 5/16-18 x 5/8
53	532105710	Link, Clutch	168	532165492	Bolt Shoulder 5/16-18 x .561
55	532105709	Spring, Return, Clutch	169	532165580	Plate Fastening Lt
56	<b>817060616</b>	Vis 3/8-16 x 1	197	532169613	Nyliner Snap-In
57	532140294	V-Belt, Drive	198	532169593	Washer Nyliner
59	532169691	Keeper, Belt, Center	199	532169612	Bolt Shoulder 5/16-18 UNC
61	817060612	Screw 3/8-16 x .75	200	872140508	Bolt RDHD SQNK 5/16-18 UNC x 1
62	532124872	Cover, Pedal	202	<b>872110614</b>	Bolt Carr Sh 3/8-16 x 1-3/4 Gr.
63	<b>532175410</b>	Pulley, Engine	205	819171616	Washer 17/32 x 1 x 16 Ga.
64	871170764	Bolt Hex 7/16 x 4 Gr. 5	212	<b>532145212</b>	Nut Hex Flange Lock

**NOTE:** All component dimensions given in U.S. inches  
1 inch = 25.4 mm

# REPAIR PARTS

TRACTOR- -MODEL NO. 12-107H (P12H105G), PRODUCT NO. 954 12 00-31  
STEERING ASSEMBLY





# REPAIR PARTS

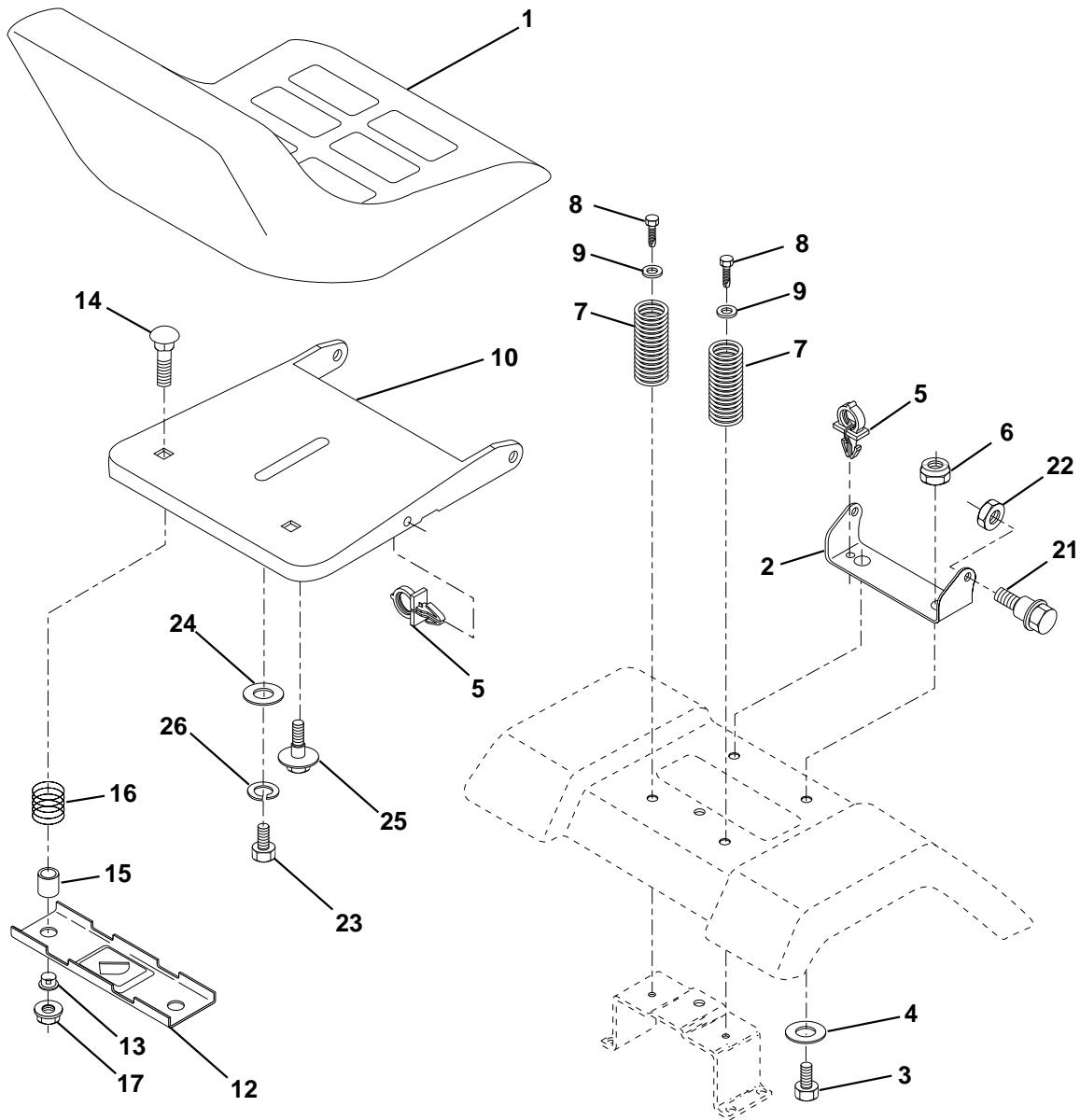
## TRACTOR- -MODEL NO. 12-107H (P12H105G), PRODUCT NO. 954 12 00-31 STEERING ASSEMBLY

KEY NO.	PART NO.	DESCRIPTION
1	532139768	Wheel Steering Opp. Sears Blk
2	532154427	Axle Asm Fr
3	532169840	Spindle Asm LH
4	532169839	Spindle Asm RH
5	532124931	Bearing Race Thrust Harden
6	532121748	Washer 25/32 x 1-5/8 x 16 Ga
7	819272016	Washer 27/32 x 1-1/4 x 16 Ga
8	812000029	Ring Klip #t5304-75
9	532124937	Bearing Col Strg Blk
10	<b>532175121</b>	Link Drag
11	810040600	Washer Lock Hvy Hlcl Spr 3/8
13	532136518	Spacer Brace Axle
15	532145212	Nut Hexflange Lock
17	<b>532177876</b>	Shaft Asm Strg
26	532126847	Bushing Link Drag Blk LR
28	819131416	Washer 13/32 x 7/8 x 16 Ga
29	817060612	Screw 3/8-16 x .75
30	876020412	Pin Cotter 1/8 x 3/4 Cad
32	532130465	Rod Tie Wire Form 19 75 Mech
36	532155099	Bushing Strg Nat .623/.618ld
37	532152927	Screw TT #10-32 x 5 x 3/8 Flange
38	532140175	Cap Wheel Steer P/L
39	819133812	Washer 13/32 x 2-3/8 x 12 Ga
40	532124701	Nut Lock Center 3/8-24unf
41	532100711	Adaptor Wheel Strg
42	<b>532145054</b>	Boot Shaft Steering
43	532121749	Washer 25/32 X 1 1/4 X 16 Ga
44	532153720	Extension Steering
46	532121232	Cap Spindle Fr Top Blk
47	532124836	Fitting Grease
51	873800500	Nut Lock Hx w/Ins 5/16-18 Unc
54	874780520	Bolt Fin Hex 5/16-18 Unc x 1-1/4
63	874780616	Bolt Fin Hex 3/8-16 UNC Gr. 5
65	532160367	Spacer Brace Axle
67	872140618	Bolt RDHD SQ 3/8-16 UNC x 2-1/4
68	532169827	Brace Axle
71	<b>532175146</b>	Steering Asm.
82	532169835	Bracket Susp. Chassis Front
85	532133835	Fastener Christmas Tree
88	<b>532175118</b>	Bolt Shoulder 7/16-20
91	<b>532175553</b>	Clip Steering

**NOTE:** All component dimensions given in U.S. inches.  
1 inch = 25.4 mm.

# REPAIR PARTS

TRACTOR- -MODEL NO. 12-107H (P12H105G), PRODUCT NO. 954 12 00-31  
SEAT ASSEMBLY



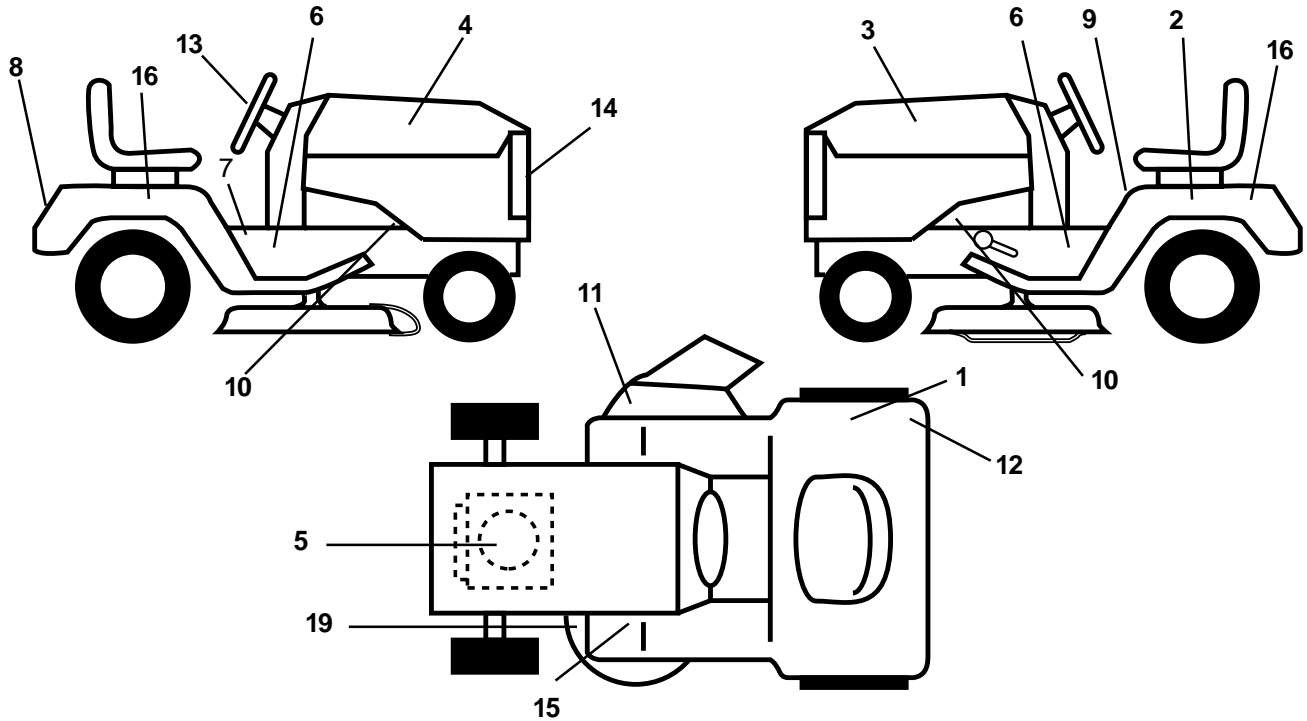
KEY NO.	PART NO.	DESCRIPTION
1	532140116	Seat
2	532140551	Bracket Pivot Seat 8 720
3	871110616	Bolt Fin Hex 3/8-16unc X 1
4	819131610	Washer 13/32 X 1 X 10 Ga
5	532145006	Clip Push-In
6	873800600	Nut Lock Hex w/Wsh 3/8-16 Unc
7	532124181	Spring Seat Cprsn 2 250 Blk Zi
8	817000616	Screw 3/8-16 X 1.5
9	819131614	Washer 13/32 X 1 X 14 Ga.
10	532174894	Pan Seat
12	532121246	Bracket Mounting Switch
13	532121248	Bushing Snap Blk Nyl 50 Id

KEY NO.	PART NO.	DESCRIPTION
14	872050412	Bolt Rdhd Sht Nk 1/4-20x1-1/2
15	532134300	Spacer Split 28x 96 Yel Zinc
16	532121250	Spring Cprsn 1 27 Blk Pnt
17	532123976	Nut Lock 1/4 Lge Flg Gr 5 Zinc
21	532171852	Bolt Shoulder 5/16-18 Unc -2A
22	873800500	Nut Lock Hex W/Insert 5/16-18 UNC
23	871110814	Bolt Hex Black
24	819171912	Washer 17/32 X 1-3/16 X 12 Ga.
25	532127018	Bolt Shoulder 5/16-18 X 62
26	810040800	Washer Lock Hvy HLCLSPR 1/2

**NOTE:** All component dimensions given in U.S. inches.  
1 inch = 25.4 mm

# REPAIR PARTS

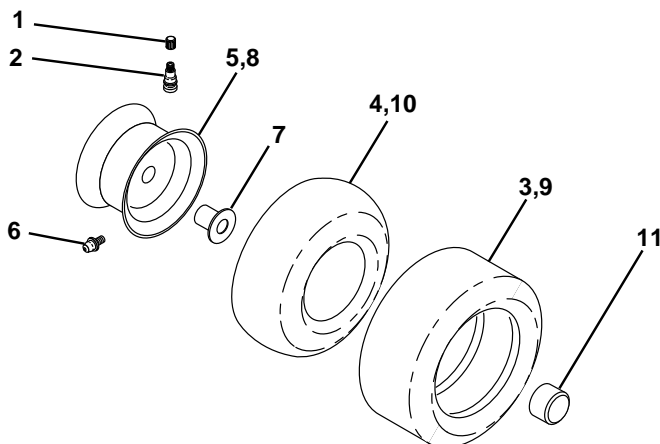
TRACTOR- -MODEL NO. 12-107H (P12H105G), PRODUCT NO. 954 12 00-31  
DECALS



KEY NO.	PART NO.	DESCRIPTION
1	532145437	Decal Europe Stand CE
2	532145005	Decal Bat Dan/Poi P/L Symbols
3	532175957	Decal Hood LH
4	532175956	Decal Hood RH
5	532170832	Decal Engine
6	532137588	Decal Chas. Turbo Collection
7	532140837	Decal Saddle Brake Parking
8	532140987	Decal Fender Bernard
9	532145498	Decal Read Owners Manual Syms
10	532159736	Decal Chassis Hot Muffler
11	532145494	Decal Mower Cut finger Symbol

KEY NO.	PART NO.	DESCRIPTION
12	532126187	Decal 100 DbA
13	532146998	Decal Strg Wheel Cap
14	532140986	Decal Logo Grille
15	532159737	Decal Brake/Clutch
16	532171313	Decal Fender Automatic
--	532160396	Decal V-Belt Sch
--	532169210	Decal By-Pass
--	532162598	Decal Drawbar Load Limit
--	532138311	Decal Lift Handle (Lift Handle)
--	532176708	Manual Operator's Euro
--	532176709	Manual Operator's Scan

## WHEELS & TIRES

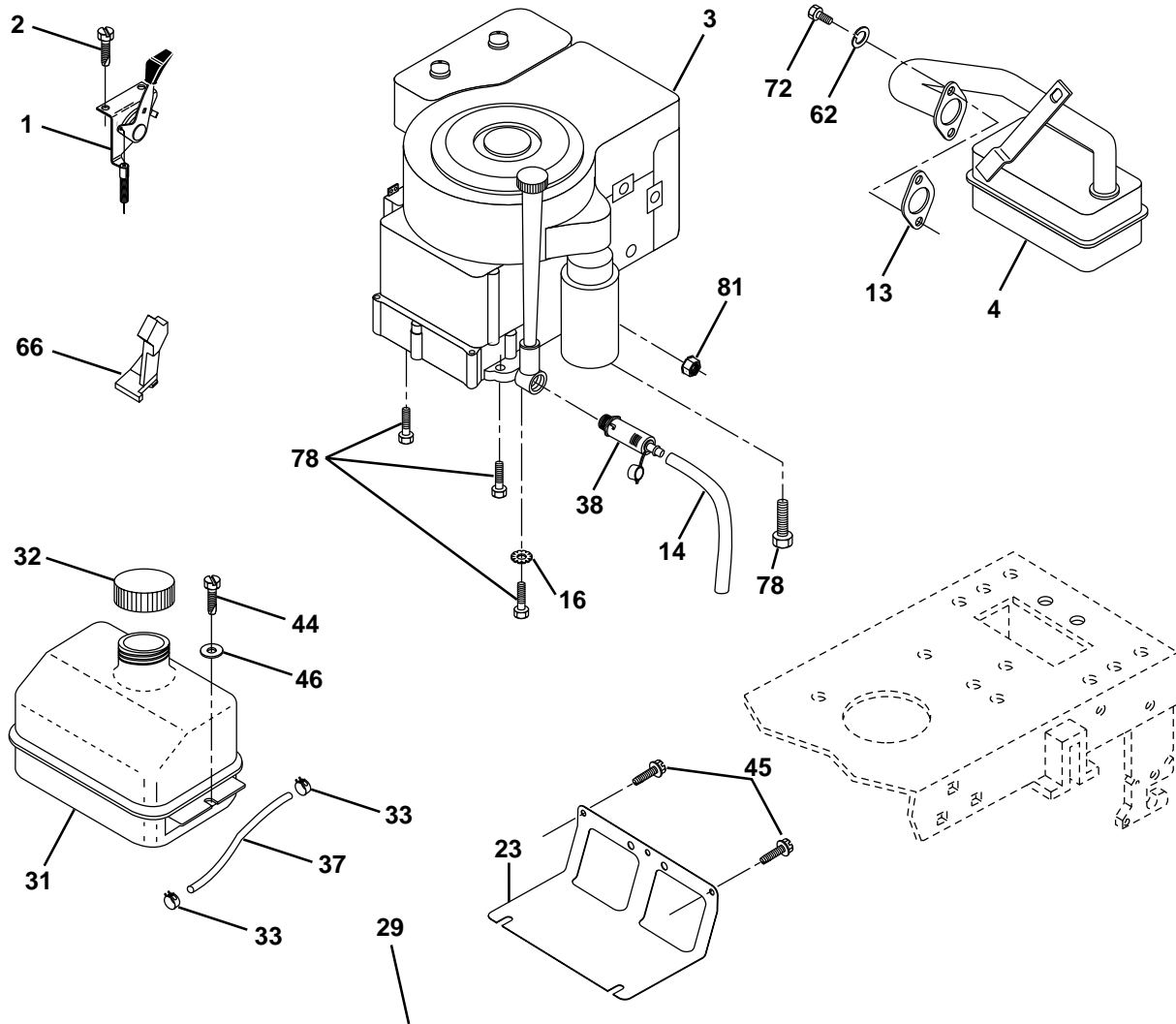


KEY NO.	PART NO.	DESCRIPTION
1	532059192	Cap Valve Tire
2	532065139	Stem Valve
3	532106222	Tire F Ts 15 X 6 0 - 6 Service
4	532059904	Tube Front (Service Item Only)
5	532125121	Rim Asm 6" front Yellow Service
6	532124957	Fitting Grease (Front Wheel Only)
7	532124959	Bearing Flange (Front Wheel Only)
8	532125122	Rim Asm 8" rear Yellow Service
9	532106268	Tire R Ts 18 x 9.5-8 C. Service
10	532124926	Tube Rear (Service Item Only)
11	532175039	Cap Axle Blk 1 50 X 1 00

**NOTE:** All component dimensions given in U.S. inches  
1 inch = 25.4 mm

# REPAIR PARTS

TRACTOR- -MODEL NO. 12-107H (P12H105G), PRODUCT NO. 954 12 00-31  
ENGINE



**OPTIONAL EQUIPMENT**  
**Spark Arrester**

# REPAIR PARTS

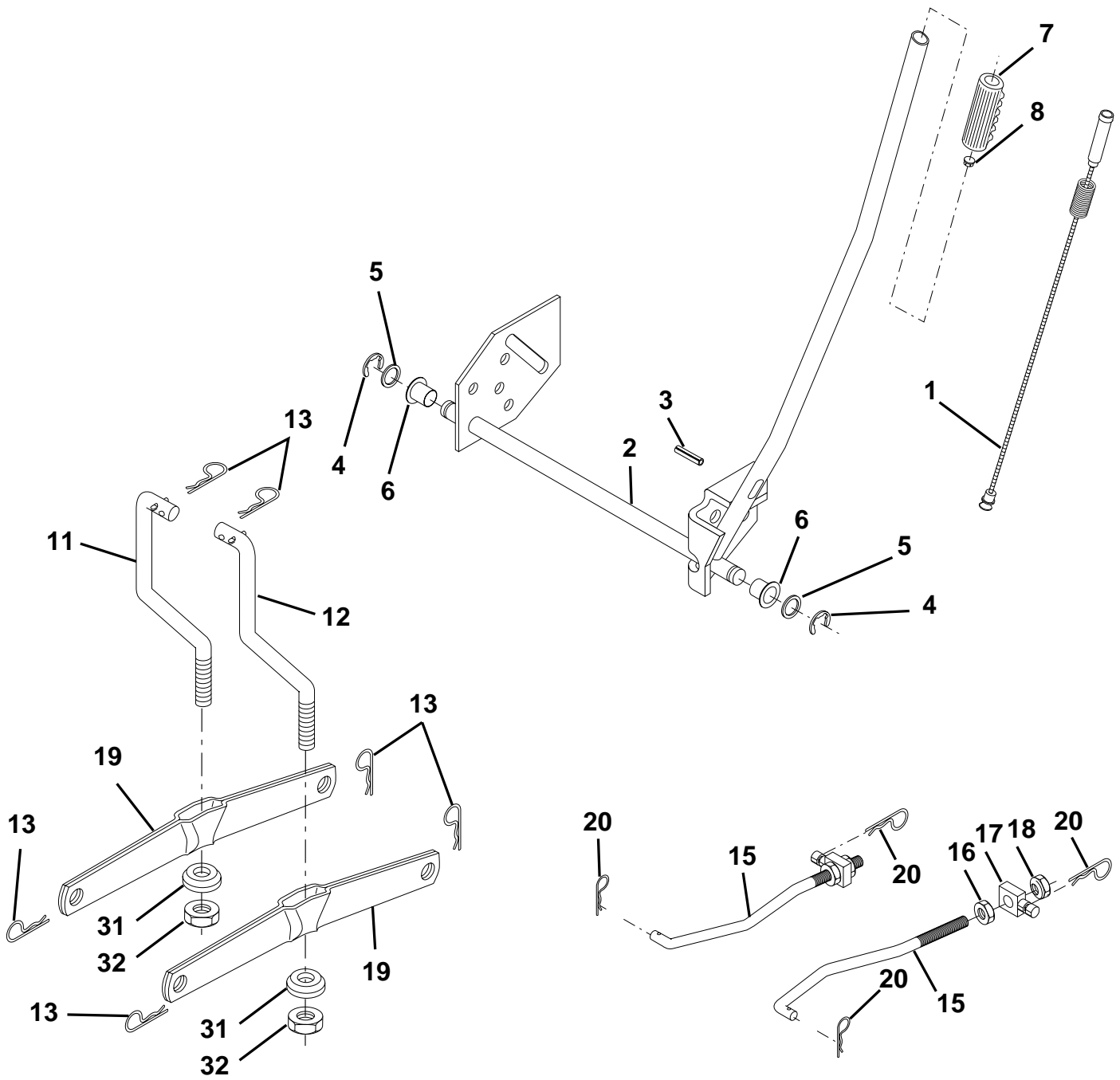
TRACTOR- -MODEL NO. 12-107H (P12H105G), PRODUCT NO. 954 12 00-31  
ENGINE

KEY NO.	PART NO.	DESCRIPTION
1	532170865	Control Th/ch Flag Eec
2	817720410	Screw Hex Thd Cut 1/4-20 x 5/8 T
3	-----	Engine B&S Model No. 289707 (Order parts from engine manufacturer)
4	532137348	Muffler LT B&S 12/12 5 HP
13	532165291	Gasket Eng
14	532148456	Tube Drain Oil Easy
16	811050600	Washer Lock Ext Tooth 3/8
23	532169837	Shield Brn/Dbr Guard
29	532137180	Kit Spark Arrecter
31	532109202	Tank Fuel Front 1.25
32	532140527	Cap Asm Fuel W/sym Vented
33	532123487	Clamp Hose Blk
37	532137040	Line Fuel 20"
38	532148315	Plug Drain Oil Easy
40	532124028	Bushing Snap Nyl Blk Fuel Line
44	817670412	Screw Hexwsh Thdrol 1/4-20 x 3/4
45	817000612	Screw Hexwsh Thdrol 3/8-16 x 3/4
46	819091416	Washer 9/32 x 7/8 x 16 Ga.
62	810040500	Washer Lock Hvy Hlcl Spr 5/16
66	532127951	Stop Throt 3000 Rpm
72	871070512	Screw Hexhd Cap 5/16-18x3/4
78	817060620	Screw 3/8-16 x 1-1/4
81	873510400	Nut Keps Hex 1/4-20 UNC

**NOTE:** All component dimensions given in U.S. inches  
1 inch = 25.4 mm

# REPAIR PARTS

TRACTOR- -MODEL NO. 12-107H (P12H105G), PRODUCT NO. 954 12 00-31  
MOWER LIFT



# REPAIR PARTS

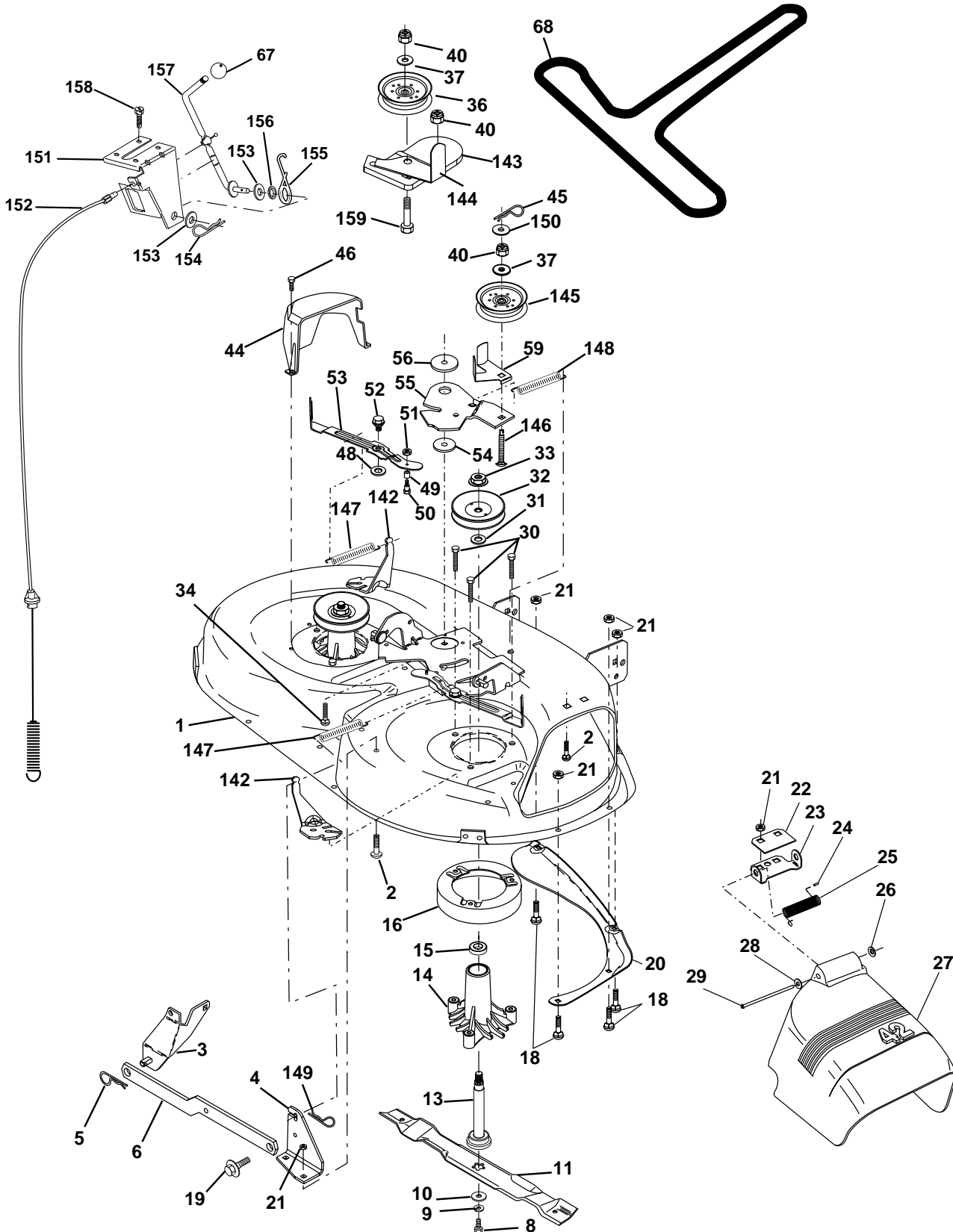
TRACTOR- -MODEL NO. 12-107H (P12H105G), PRODUCT NO. 954 12 00-31  
MOWER LIFT

KEY NO.	PART NO.	DESCRIPTION
1	532159460	Wire Asm Inner W/Plunger
2	532159471	Shaft Asm Lift
3	532105767	Pin Groove
4	812000002	E Ring #5133-62
5	819211621	Washer PLTD 21/32 X 1 X 21 ga
6	532120183	Bearing Nylon Blk 629 Id
7	532109413	Grip Handle Bicycle Matte Blk
8	532124526	Button Plunger Black
11	532139865	Link Lift LH
12	532139866	Link Lift RH
13	532124670	Retainer Spring
15	532173288	Link Front
16	873350800	Nut Jam Hex 1/2-13 Unc
17	532130171	Trunnion Blk Zinc
18	873800800	Nut Lock w/wsh 1/2-13 Unc
19	532139868	Arm Suspension Rear
20	532163552	Retainer Spring
31	532169865	Bearing Pvt Lift
32	873540600	Nut Crownlock 3/8-24

**NOTE:** All component dimensions given in U.S. inches  
1 inch = 25.4 mm

# REPAIR PARTS

TRACTOR- -MODEL NO. 12-107H (P12H105G), PRODUCT NO. 954 12 00-31  
MOWER





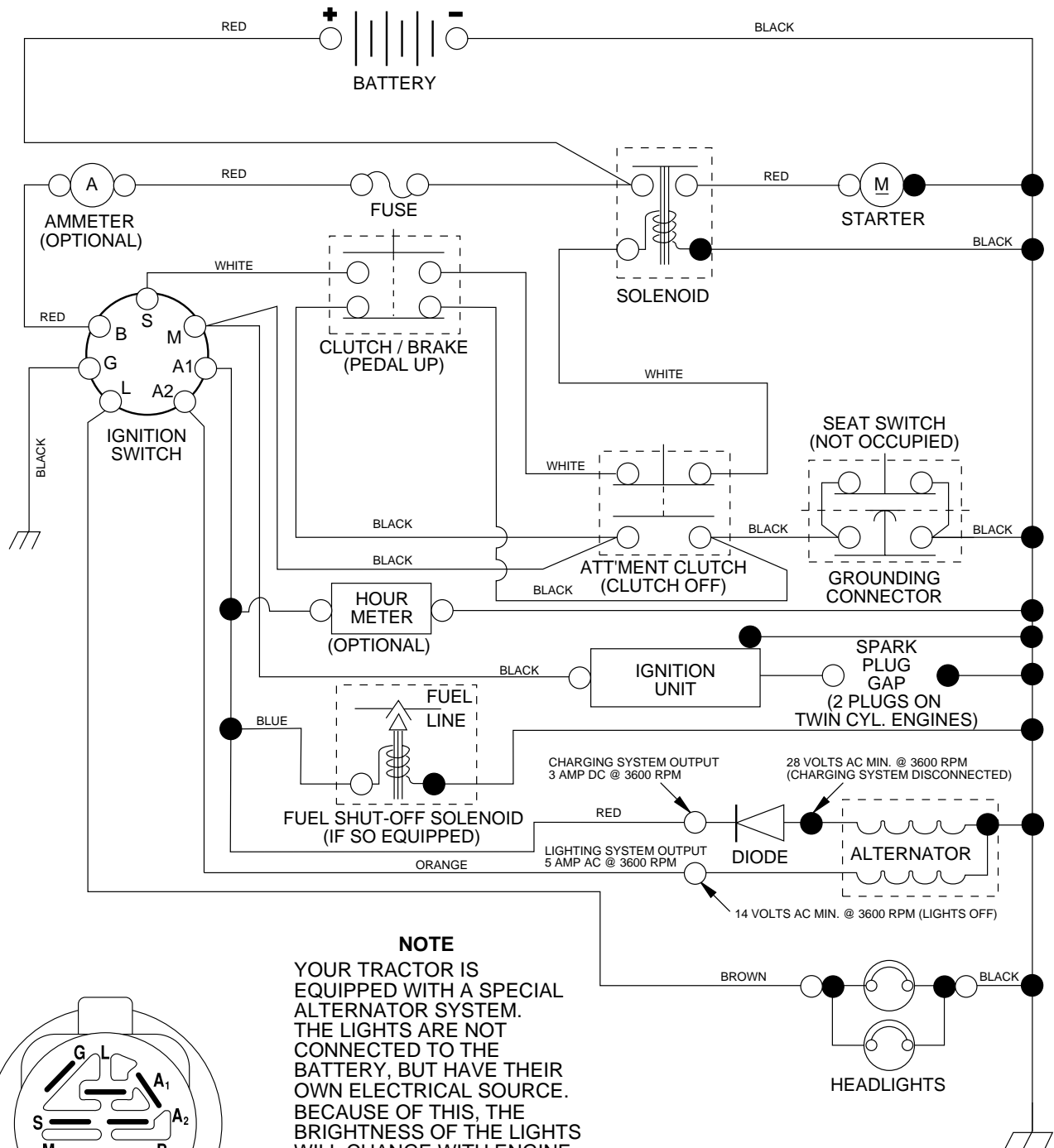
# REPAIR PARTS

TRACTOR- -MODEL NO. 12-107H (P12H105G), PRODUCT NO. 954 12 00-31  
MOWER

KEY NO.	PART NO.	DESCRIPTION	KEY NO.	PART NO.	DESCRIPTION
1	532165892	Housing Asm Mower 42" T-Path	48	532133944	Washer Hardened Smaller
2	872140506	Bolt Rdhd Sqnk 5/16-18unc X3/4	49	532174284	Roller Asm Cam Follower 42" dec
3	532138017	Bracket Asm Fr Sway Bar 38/42	50	532131340	Bolt Shldr 10-24 Zinc Gr 5 42"
4	532165460	Bracket Asm Deck 42" sway Bar	51	532069180	Nut Lock #10-24 Unc
5	532124670	Retainer Spring	52	532139888	Bolt Shoulder 5/16-18 Unc Blkz
6	532130832	Arm Suspension Rear	53	532131845	Arm Asm Pad Brake
8	532850857	Bolt 3/8 - 24 X 1.25 Gr 8	54	532133943	Washer Hardened
9	810030600	Washer Lock Hvy 3/8 Unplated	55	532155046	Arm Idler 42" mower LT/YT
10	532140296	Washer Hard Blade Mower	56	532165723	Spacer Retainer Pm Mower
11	532138498	Blade Mower High Lift	59	532141043	Guard TUV Idler
13	532137645	Shaft Asm W/Lower Bearing	67	532106932	Knob Rd 3/8-16 Plstc Thds Blk
14	532128774	Housing Mandrel Vented (Machd)	68	532144959	V-Belt Mower
15	532110485	Bearing Ball Mandrel	142	532165890	Arm Spring Brake Mower
16	<b>532174493</b>	Stripper Round Mower	143	532157109	Bracket Arm Idler 42"
18	872140505	Bolt Carr 5/16-18 X 5/8	144	532158634	Keeper Belt 42" Clutch Cable
19	532132827	Bolt Shoulder	145	532165888	Pulley Idler Flat
20	532159770	Baffle Vortex 42"	146	532171977	Bolt Carriage Idler
21	873680500	Nut Crown Lock 5/16-18	147	532131335	Spring Extension
22	532134753	Stiffener Bracket 42" deck	148	532169022	Spring Return Idler
23	532131267	Bracket Deflector Mower 42"	149	532165898	Retainer Spring Yellow
24	532105304	Cap Sleeve 80x 112 Blk Mower	150	819091216	Washer 9/32 x 3/4 x 16 Ga.
25	532123713	Spring Torsion Deflector 2 52	151	532169670	Bracket Clutch Cable
26	532110452	Nut Push Phos & Oil	152	532169676	Clutch Cable 42"
27	<b>532130968</b>	Shield Deflector Mower 42"	153	532169674	Washer Flat 3/8" Type B
28	819111016	Washer 11/32 X 5/8 X 16 Ga.	154	532169675	Spring Retainer
29	532131491	Rod Hinge 42" 6 75 Wlg	155	532169671	Spring Retention Lvr Cltch Cab
30	532157722	Screw Thdrol Washer Head	156	532169672	Spacer Clutch Cable
31	532129963	Washer Spacer Mower Vented	157	532169669	Rod Clutch Cable 3/8"
32	532153535	Pulley Mandrel 42/44/50	158	817720410	Screw Hex Thd Cut 1/4-20 x 5/8
33	532137266	Nut 9/16 Top Lock Fling Oil Dip	159	872140614	Bolt Rdhd Sqnk 3/8-16 UNC x 1-3/4
34	872110614	Bolt Rdhd 3/8-16unc X 1-3/4 Gr5	--	532171639	Deck Serv 42"
36	532131494	Pulley Idler Flat 3 060	--	532130794	Mandrel Asm Service (Includes Key Nos. 8-10, 13-15, 31 and 33)
37	819131316	Washer 13/32 X 13/16 X 16			
40	873680600	Nut, Crownlock 3/8-16 UNC			
44	532140088	Guard Mandrel LH Black			
45	532124788	Spring Retainer 1" Zinc/cad			
46	532137729	Screw Hex Thd Cut 1/4-20x5/8 T			

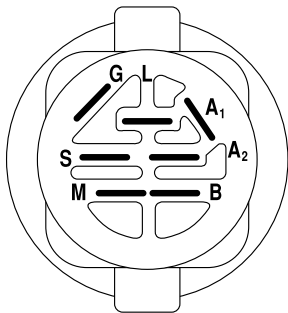
**NOTE:** All component dimensions given in U.S. inches  
1 inch = 25.4 mm

# TRACTOR- -MODEL NO. 12-107H (P12H105G), PRODUCT NO. 954 12 00-31 SCHEMATIC



## NOTE

YOUR TRACTOR IS EQUIPPED WITH A SPECIAL ALTERNATOR SYSTEM. THE LIGHTS ARE NOT CONNECTED TO THE BATTERY, BUT HAVE THEIR OWN ELECTRICAL SOURCE. BECAUSE OF THIS, THE BRIGHTNESS OF THE LIGHTS WILL CHANGE WITH ENGINE SPEED. AT IDLE THE LIGHTS WILL DIM. AS THE ENGINE IS SPEEDED UP, THE LIGHTS WILL BECOME THEIR BRIGHTEST.



**IGNITION SWITCH**

POSITION	CIRCUIT	"MAKE"
OFF	M+G+A1	NONE
RUN/LIGHT	B+A1	A2+L
RUN	B+A1	NONE
START	B + S + A1	NONE

## WIRING INSULATED CLIPS

**NOTE:** IF WIRING INSULATED CLIPS WERE REMOVED FOR SERVICING OF UNIT, THEY SHOULD BE REPLACED TO PROPERLY SECURE YOUR WIRING.

NON-REMOVABLE CONNECTIONS

REMOVABLE CONNECTIONS