

ILLUSTRATED PARTS LIST

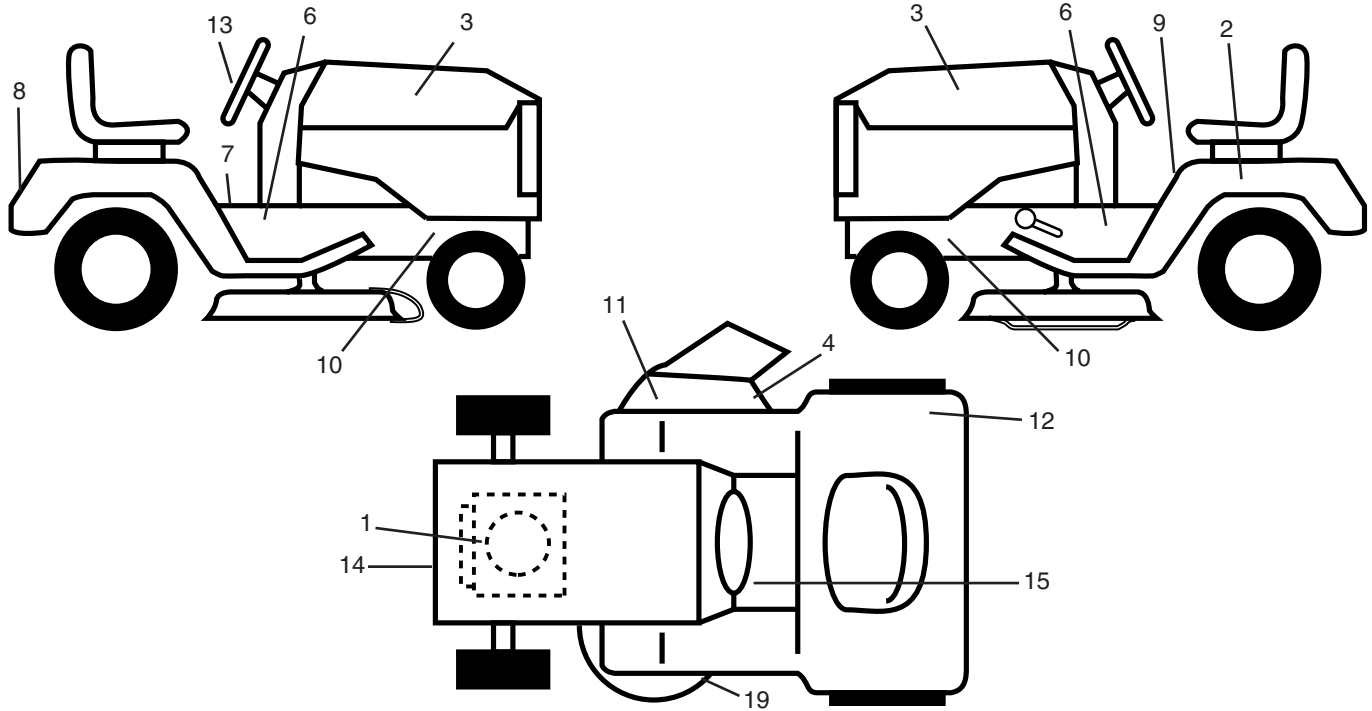
MFG ID NO. 96011019100

CUSTOMER CATALOG NO. P12597

PRODUCT NO. 960 11 01-91

REPAIR PARTS

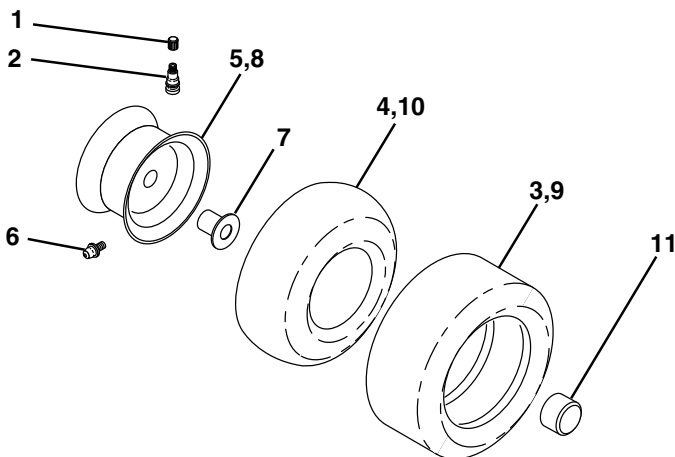
TRACTOR- -MODEL NO. P12597 (96011019100) PRODUCT NO. 960 11 01-91
DECALS



KEY NO.	PART NO.	DESCRIPTION
1	532 19 68-41	Decal, Warning Engine Symbols
2	532 14 50-05	Decal, Bat Dan/Poi P/L Symbols
3	532 40 20-27	Decal, Hood
4	532 19 63-57	Decal, Deflector Warning Symbols
6	532 18 56-51	Decal, Chas. Turbo Collection
7	532 14 08-37	Decal, Saddle Brake Parking
8	532 40 22-14	Decal, Fender Logo
9	532 40 03-89	Decal, Warning Sym. CE
10	532 15 97-36	Decal, Chassis Hot Muffler
11	532 18 21-66	Decal, Mower Cut finger Symbol

KEY NO.	PART NO.	DESCRIPTION
12	532 18 04-32	Decal, 100 DbA
13	532 40 16-49	Decal, Strg Wheel Cap
14	532 18 47-65	Decal, Eng. HP
15	532 15 97-37	Decal, Brake/Clutch
19	532 19 43-02	Decal, V-Belt Sch
--	532 16 25-98	Decal, Drawbar Load Limit
--	532 13 83-11	Decal, Lift Handle (Lift Handle)
--	532 40 09-01	Manual Operator's Euro
--	532 40 09-02	Manual Operator's Scan

WHEELS & TIRES



KEY NO.	PART NO.	DESCRIPTION
1	532 05 91-92	Cap Valve Tire
2	532 06 51-39	Stem Valve
3	532 12 41-57	Tire F Ts 15 x 6 - 6 Service
4	532 05 99-04	Tube Front (Service Item Only)
5	532 12 51-21	Rim Asm 6" front Service
6	532 12 49-57	Fitting Grease (Front Wheel Only)
7	532 12 49-59	Bearing Flange (Front Wheel Only)
8	532 12 51-22	Rim Asm 8" rear Service
9	532 12 39-69	Tire R Ts 18 x 8.5-8 C. Service
10	532 12 49-26	Tube Rear (Service Item Only)
11	532 17 50-39	Cap Axle Blk 1 50 x 1 00

NOTE: All component dimensions given in U.S. inches
1 inch = 25.4 mm

REPAIR PARTS

TRACTOR- -MODEL NO. P12597 (96011019100) PRODUCT NO. 960 11 01-91
ELECTRICAL

KEY NO.	PART NO.	DESCRIPTION
1	532 16 34-65	Battery
2	874 76 04-12	Bolt Hex Hd 1/4-20 unc x 3/4
8	532 17 66-89	Box Battery Fender
16	532 17 61-38	Switch Interlock
21	532 18 37-59	Harness Headlight
22	532 00 41-52	Bulb
24	532 12 47-80	Cable Battery 6 Ga 11" Red
25	532 14 61-47	Cable Battery 6 Ga Red w/16 wir
26	532 17 51-58	Fuse
27	873 51 04-00	Nut Keps Hex 1/4-20 unc
28	532 12 47-73	Cable Ground 6 Ga 12" black
29	532 19 27-49	Switch Seat
30	532 19 33-50	Switch Ignition
33	532 14 04-01	Key
34	532 11 07-12	Switch Light/Reset
40	532 19 74-28	Harness Ignition
41	871 11 04-08	Bolt Blk Fin Hex 1/4 - 20 x 1/2
42	532 13 15-63	Cover Terminal Red
43	532 19 25-07	Solenoid
48	532 14 08-44	Adapter Ammeter Rectangular
52	532 14 19-40	Protection Wire Loop
90	532 18 04-49	Cover Terminal Battery
92	532 19 66-15	Harness Pigtail Console ROS
93	532 19 25-40	Screw Plastite 10-14 x 2.0
94	532 19 18-34	Module Reverse ROS

NOTE: All component dimensions given in U.S. inches.
1 inch = 25.4 mm.

REPAIR PARTS

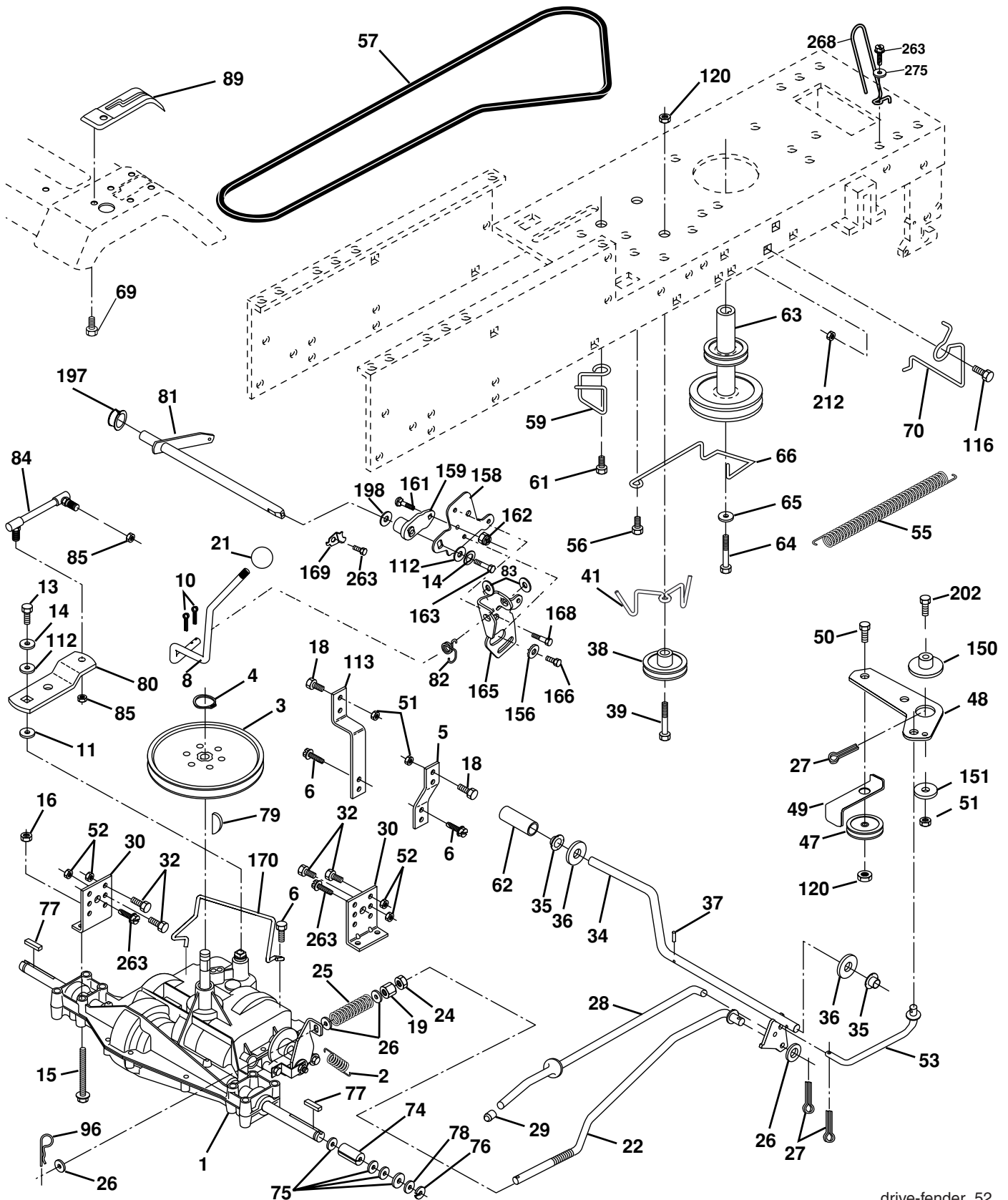
TRACTOR- -MODEL NO. P12597 (96011019100) PRODUCT NO. 960 11 01-91
CHASSIS

KEY NO.	PART NO.	DESCRIPTION
1	532 17 46-20	Chassis
2	532 17 65-54	Drawbar
5	532 15 52-72	BumperHood/Dash
6	532 18 44-19	Saddle
8	532 15 51-38	Clip, Retainer Slide-On
9	532 19 46-88	Dash
10	872 14 06-08	Bolt, Carriage 3/8-16 x 1
11	532 17 49-96	Dashboard, Panel LH
13	532 18 69-52	Dashboard, Panel RH
15	874 18 05-12	Machine screw 5/16-18 unc x 3/4
16	873 51 05-00	Nut, Keps 5/16-18 unc
17	532 18 65-80	Hood Pnt
18	532 18 49-21	BumperHood
24	874 78 06-16	Bolt, Hex Head, Fin. 3/8-16 x 1 Gr. 5
25	819 13 13-12	Washer 13/32 x 13/16 x12 Ga.
26	873 80 06-00	Nut Lock Hex w/Ins. 3/8-16 unc
28	532 18 35-52	Grille (Includes key Nos. 29, 212)
29	532 18 58-46	Lens
30	532 40 48-52	Fender
31	532 13 66-19	Fender Bracket
33	532 18 25-07	Footrest, LH
34	532 18 25-08	Footrest, RH
35	872 11 06-06	Bolt 3/8-16 X 3/4
37	817 49 05-08	Screw Thdrol 5/16-18 x 1/2
38	532 17 57-10	Bracket Asm. Pivot Mower Rear
39	532 17 47-14	Bracket Pivot Laser/Elite
145	532 15 65-24	Rod Pivot Chassis/Hood
205	817 49 06-08	Screw Thdrol 3/8-16 x 1/2
206	532 17 01-65	Bolt Shoulder 5/16-18 TT
208	817 67 06-08	Screw Thdrol 3/8-16 x 1/2
209	817 00 06-12	Screw Hexwsh Thdr 3/8-16 x 3/4
212	532 18 35-50	Insert Lens Reflective
278	532 19 16-11	Screw 10 x 3/4 Single Lead-Hex
--	532 00 54-79	Button Plug

NOTE: All component dimensions given in U.S. inches.
1 inch = 25.4 mm.

REPAIR PARTS

TRACTOR- -MODEL NO. P12597 (96011019100) PRODUCT NO. 960 11 01-91
DRIVE



REPAIR PARTS

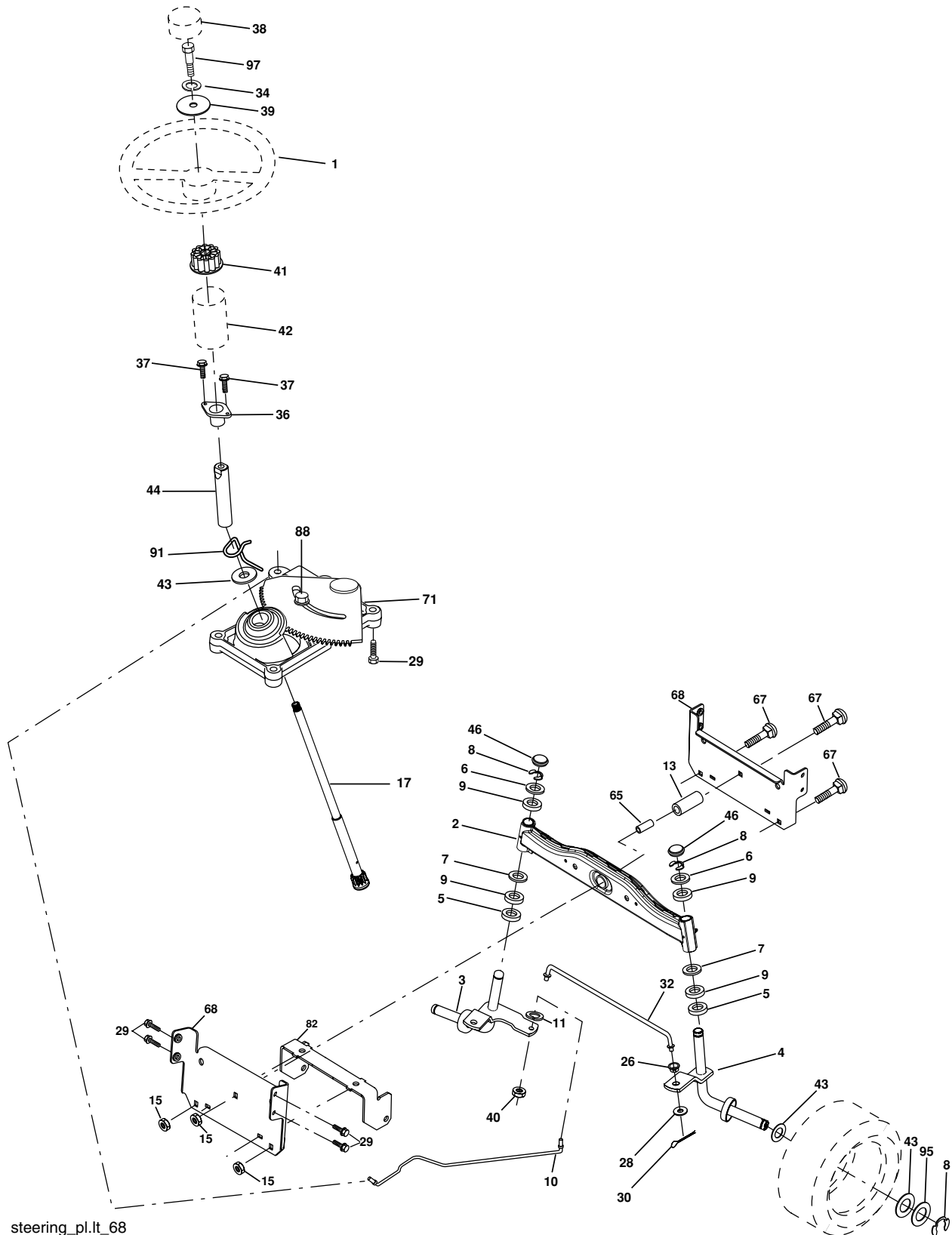
**TRACTOR- -MODEL NO. P12597 (96011019100) PRODUCT NO. 960 11 01-91
DRIVE**

KEY NO.	PART NO.	DESCRIPTION	KEY NO.	PART NO.	DESCRIPTION
1	-----	Transaxle Dana, Model D4360-139 (Order parts from transaxle manufacturer)	63	532 17 54-10	Pulley, Engine
2	532 14 66-82	Spring, Brake Return	64	532 17 39-37	Bolt, Hex 7/16-20 x 4 Gr. 5
3	532 12 36-66	Pulley, Transaxle	65	810 04 07-00	Washer, Lock Hvy Hlcl Spr 7/16
4	812 00 00-28	Ring, Retainer	66	532 15 47-78	Keeper, Belt Engine F-Proof
5	532 12 15-20	Strap, Torque	69	532 14 24-32	Screw Hex Wsh Hi-Lo
6	817 00 05-12	Screw, 5/16-18 x 3/4 SMGML	70	532 13 46-83	Guide Belt Mower Drive RH
8	532 19 27-06	Rod, Shifter	74	532 10 95-02	Spacer, Split
10	876 02 04-16	Pin, Cotter 1/8 x 1	75	532 12 17-49	Washer 25/32 x 1-1/4 x 16 Ga.
11	532 10 57-01	Washer, Shift Plate	76	812 00 00-01	E-Ring
13	874 55 04-12	Bolt 1/4-28 UNF Gr. 8 w/Patch	77	532 12 35-83	Key Square
14	810 04 04-00	Washer Lock	78	5321217-48	Washer 25/32 x 1-5/8 x 16 Ga.
15	874 49 05-44	Bolt, Hex Flghd 5/16-18 Gr. 5	79	532 12 50-96	Key Woodruff #9 3/16 x 3/4
16	873 80 05-00	Nut Lock 5/16-18 unc	80	532 13 14-88	Arm Shift
18	874 78 06-16	Bolt, Fin Hex 3/8-16 Unc x 1 Gr. 5	81	532 16 55-94	Shaft Asm. Cross Taper
19	873 80 06-00	Locknut 3/8-16	82	532 16 57-11	Spring Torsion Shift
21	532 10 69-33	Knob	83	819 17 12-16	Washer 17/32 x 3/4 x 16 Ga.
22	532 13 08-04	Rod, Brake	84	532 16 62-29	Link Trans.
24	873 35 06-00	Nut, Hex Jam 3/8-16	85	532 15 03-60	Nut Lock Center 1/4-28
25	532 10 68-88	Spring, Rod, Brake	89	532 19 58-61	Console Shift
26	819 13 13-16	Washer 13/32 x 13/16 x 16 Ga.	96	532 12 47-80	Retainer Spring 1" Ziinc/Cad
27	876 02 04-12	Pin, Cotter 1/8 x 3/4	112	819 09 12-10	Washer 9/32 x 3/4 x 10 Ga.
28	532 17 57-65	Rod, Brake, Park	113	532 12 72-85	Strap Torque L.H. Lt
29	532 07 16-73	Cap, Plunger	116	872 14 06-08	Bolt RDHD SQNK 3/8-16unc x 1
30	532 17 49-73	Bracket, Transaxle, L.H.	120	873 90 06-00	Nut Lock Fig. 3/8-16 Unc
32	874 76 05-12	Bolt Hex Hd 5/16-18 unc x 3/4	150	532 17 54-56	SpacerRetainer
34	532 17 55-78	Shaft, Foot Pedal	151	819 13 32-10	Washer 13/32 x 2 x 10 Ga.
35	532 12 01-83	Bearing Nylon	156	532 16 60-02	Washer 5/16 ID x 10 x .125
36	819 21 16-16	Washer 21/32 x 1 x 16 Ga.	158	532 16 55-89	Bracket Shift Mound
37	532 12 49-63	Pin,Roll 3/16 x 1	159	532 18 39-00	Hub Shift
38	532 17 91-14	Pulley Idler	161	872 14 04-06	Bolt Rdhd Sqnk 1/4-20 x 3/4 Gr. 5
39	872 11 06-22	Bolt 3/8-16 unc x 2-3/4 Gr. 5	162	873 68 04-00	Nut Crownlock 1/4-20 unc
41	532 17 55-56	Keeper, Belt	163	874 78 04-16	Bolt Hex Fin 1/4-20 unc x 1 Gr. 5
47	532 12 77-83	Pulley, Idler	165	532 16 56-23	Bracket Pivot Lever
48	532 15 44-07	Bellcrank Asm Clutch	166	817 49 05-10	Screw 5/16-18 x 5/8
49	532 12 32-05	Retainer, Belt	168	532 16 54-92	Bolt Shoulder 5/16-18 x .561
50	872 11 06-12	Bolt, Carr. Sh 3/8-16 x 1-1/2 Gr. 5	169	532 16 55-81	Plate Fastening
51	873 68 06-00	Nut, Crownlock 3/8-16	170	532 18 74-14	Keeper, Belt, Transaxle
52	873 68 05-00	Nut, Crownlock 5/16-18	197	532 16 96-13	Nyliner Snap-In 5/8 ID
53	532 19 96-52	Link, Clutch	198	532 16 98-45	Washer Nylon
55	532 10 57-09	Spring, Return, Clutch	202	872 11 06-14	Bolt Carr Sh 3/8-16 x 1-3/4 Gr. 5
56	817 06 06-20	Screw 3/8-16 x 1-1/4	212	532 14 52-12	Nut Hex Flange Lock
57	532 16 08-55	V-Belt, Drive	263	817 00 06-12	Screw, 3/8-16 x 3/4 SMGML
59	532 16 96-91	Keeper Belt Center Span	268	532 18 24-02	Guard Muffler
61	817 12 06-14	Screw 3/8-16 x .875	275	819 13 16-14	Washer 13/32 x 1 x 14 Ga.
62	532 12 48-72	Cover, Foot Pedal			

NOTE: All component dimensions given in U.S. inches
1 inch = 25.4 mm

REPAIR PARTS

TRACTOR- -MODEL NO. P12597 (96011019100) PRODUCT NO. 960 11 01-91
STEERING ASSEMBLY



steering_pl.it_68

REPAIR PARTS

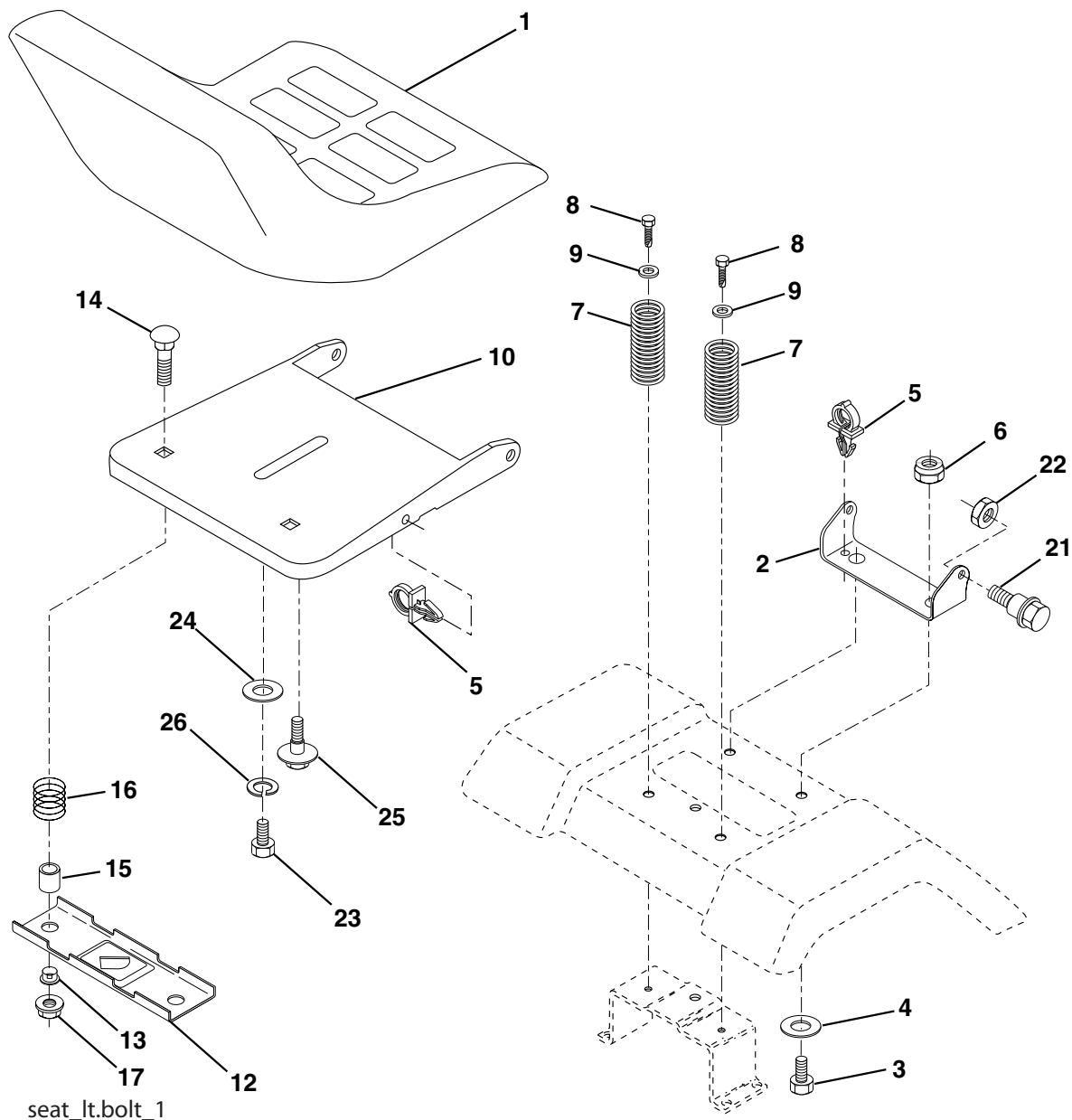
TRACTOR- -MODEL NO. P12597 (96011019100) PRODUCT NO. 960 11 01-91
STEERING ASSEMBLY

KEY NO.	PART NO.	DESCRIPTION
1	532 18 67-80	Wheel Steering Opp. Sears Blk
2	532 19 56-73	Axle Asm
3	532 16 98-40	Spindle Asm LH
4	532 16 98-39	Spindle Asm RH
5	5321249-31	Bearing Race Thrust Harden
6	532 12 17-48	Washer 25/32 x 1-5/8 x 16 Ga.
7	819 27 20-16	Washer 27/32 x 1-1/4 x 16 Ga.
8	812 00 00-29	Ring Klip #t5304-75
9	532 12 49-37	Bearing Col Strg Blk
10	532 17 51-21	Link Drag
11	810 04 06-00	Washer Lock Hvy Hlcl Spr 3/8
13	532 13 65-18	Spacer Brace Axle
15	532 14 52-12	Nut Hexflange Lock
17	532 19 07-53	Shaft Asm Strg
26	532 12 68-47	Bushing Link Drag Blk LR
28	819 13 14-16	Washer 13/32 x 7/8 x 16 Ga.
29	817 00 06-12	Screw 3/8-16 x .75
30	876 02 04-12	Pin Cotter 1/8 x 3/4 Cad
32	532 19 27-57	Rod Tie Wire Form 19 75 Mech
34	810 04 05-00	Washer Lock Hvy Hlcl Spr. 5/16
36	532 15 50-99	Bushing Strg Nat .623/.618ld
37	532 15 29-27	Screw TT #10-32 x 5 x 3/8 Flange
38	532 19 29-16	Cap Wheel Steer P/L
39	819 11 38-12	Washer 11/32 x 2-3/8
40	873 54 06-00	Nut Crownlock 3/8-24
41	532 18 67-37	Adaptor Wheel Strg
42	532 16 96-33	Boot Shaft Steering
43	532 12 17-49	Washer 25/32 x 1 1/4 x 16 Ga.
44	532 19 07-52	Extension Steering
46	532 12 12-32	Cap Spindle Fr Top Blk
65	532 16 03-67	Spacer Brace Axle
67	872 11 06-18	Bolt RDHD SQ 3/8-16 unc x 2-1/4
68	532 16 98-27	Brace Axle
71	532 17 51-46	Steering Asm
82	532 19 99-78	Bracket Susp. Chassis Front
88	532 17 51-18	Bolt Shoulder 7/16-20
91	532 17 55-53	Cup Steering
95	532 18 89-67	Washer Hardened
97	874 78 05-64	Bolt 5/16-18 unc x 4" L Gr. 5

NOTE: All component dimensions given in U.S. inches.
1 inch = 25.4 mm.

REPAIR PARTS

TRACTOR- -MODEL NO. P12597 (96011019100) PRODUCT NO. 960 11 01-91
SEAT ASSEMBLY



seat_lt.bolt_1

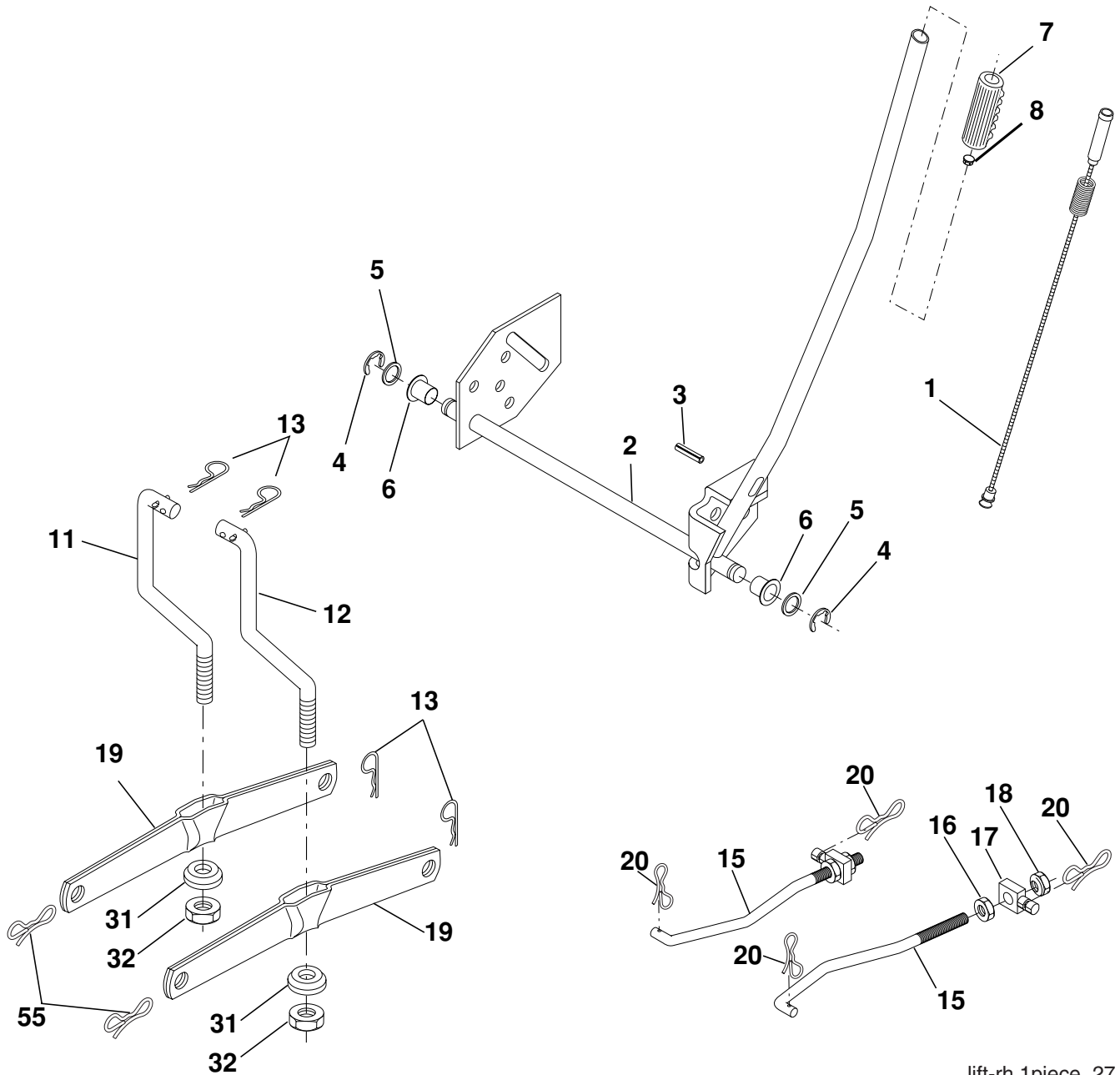
KEY NO.	PART NO.	DESCRIPTION
1	532 40 10-42	Seat
2	532 14 05-51	Bracket Pivot Seat 8 720
3	871 11 06-16	Bolt Fin Hex 3/8-16unc x 1
4	819 13 16-10	Washer 13/32 x 1 x 10 Ga
5	532 14 50-06	Clip Push-In
6	873 80 06-00	Nut Lock Hex w/Wsh 3/8-16 Unc
7	532 12 41-81	Spring Seat Cprsn 2 250 Blk Zi
8	817 00 06-16	Screw 3/8-16 x 1.5
9	819 13 16-14	Washer 13/32 x 1 x 14 Ga.
10	532 19 55-30	Pan Seat
12	532 17 46-48	Bracket Mounting Switch
13	532 12 12-48	Bushing Snap Blk Nyl 50 Id
14	872 05 04-12	Bolt Rdhd Sht Nk 1/4-20 x 1-1/2

KEY NO.	PART NO.	DESCRIPTION
15	532 13 43-00	Spacer Split 28 x 96 Yel Zinc
16	532 12 12-50	Spring Cprsn 1 27 Blk Pnt
17	532 12 39-76	Nut Lock 1/4 Lge Flg Gr 5 Zinc
21	532 17 18-52	Bolt Shoulder 5/16-18 Unc -2A
22	873 80 05-00	Nut Lock Hex W/Insert 5/16-18 UNC
23	871 11 08-14	Bolt Hex
24	819 17 19-12	Washer 17/32 x 1-3/16 x 12 Ga.
25	532 12 70-18	Bolt Shoulder 5/16-18 x 62
26	810 04 08-00	Washer Lock Hvy HLCLSPR 1/2

NOTE: All component dimensions given in U.S. inches.
1 inch = 25.4 mm

REPAIR PARTS

TRACTOR- -MODEL NO. P12597 (96011019100) PRODUCT NO. 960 11 01-91
MOWER LIFT



lift-rh.1piece_27

KEY NO.	PART NO.	DESCRIPTION
1	532 19 84-17	Wire Asm Inner W/Plunger
2	532 19 80-70	Shaft Asm Lift
3	532 18 88-22	Pin Groove
4	812 00 00-02	E Ring #5133-62
5	819 21 16-21	Washer PLTD 21/32 x 1 x 21Ga
6	532 12 01-83	Bearing Nylon Blk 629 Id
7	532 10 94-13	Grip Handle Bicycle Matte Blk
8	532 12 45-26	Button Plunger Black
11	532 13 98-65	Link Lift LH
12	532 13 98-66	Link Lift RH
13	532 12 46-70	Retainer Spring
15	532 17 32-88	Link Front

KEY NO.	PART NO.	DESCRIPTION
16	873 35 08-00	Nut Jam Hex 1/2-13 Unc
17	532 17 56-89	Trunnion
18	873 80 08-00	Nut Lock W/Wsh 1/2-13 Unc
19	532 13 98-68	Arm Suspension Rear
20	532 19 42-09	Pin Cotter 7/16 Bow Tie Lock
31	532 16 98-65	Bearing Pvt Lift
32	873 54 06-00	Nut Crownlock 3/8-24
55	532 19 42-08	Pin Cotter 5/16 Bow Tie Lock

NOTE: All component dimensions given in U.S. inches
1 inch = 25.4 mm

REPAIR PARTS

**TRACTOR- -MODEL NO. P12597 (96011019100) PRODUCT NO. 960 11 01-91
MOWER**

KEY NO.	PART NO.	DESCRIPTION	KEY NO.	PART NO.	DESCRIPTION
1	532 19 25-56	Mower Housing Assembly	102	871 08 10-10	Screw Pan Hd Phillip 10-24 x 5/8
2	872 14 05-06	Bolt Carriage 5/16-18 x 3/4	103	819 06 12-16	Washer #10
3	532 13 80-17	Bracket Asm Fr. Sway Bar	104	810 07 10-00	Washer Lock #10
4	532 19 25-68	Bracket Deck Sway Bar 38"/42"	105	532 16 07-93	Latch Asm.
5	532 12 46-70	Retainer Spring	106	532 12 50-04	Nut Weld .327/.304 #10-24
6	532 17 80-24	Bar Sway Deck	107	532 13 35-02	Spacer Retainer
7	873 80 05-00	Nut Lock Hx W/INs. 5/16-18 unc	108	532 13 35-03	Stiffener, Idler Arm
8	532 19 30-03	Bolt 3/8-24 x 1.25 Gr. 8	122	532 19 25-75	Rod, Brake LH
11	532 19 39-57	Blade Mower	123	532 19 25-76	Rod, Brake RH
13	532 19 28-72	Shaft Assembly, Mandrel, Vented	144	532 19 34-14	Keeper Belt Idler Tension
14	532 18 72-81	Housing, Mandrel, Vented	148	532 16 90-22	Spring Return Idler
15	532 11 04-85	Bearing, Ball, Mandrel	149	532 16 58-98	Retainer Spring Yellow
18	872 14 05-05	Bolt Rdhd Sqnc 5/16-18 x 5/8	150	819 09 12-10	Washer 9/32 x 3/4 x 10 Ga.
19	532 13 28-27	Bolt, Shoulder	152	532 19 32-35	Clutch Cable 38"/46"
20	532 40 00-95	Baffle Vortex Front	158	817 72 04-08	Screw Hex Thd Cut 1/4-20 x 1/2
21	873 68 05-00	Nut	185	532 18 82-34	Head Asm Cable Clutch
23	532 19 25-57	Bracket, Mower Deflector	186	817 49 06-44	Screw Hex Wsh Thdrol 3/8-16 x 2-3/4
24	532 10 53-04	Cap, Sleeve	187	532 19 34-12	Keeper Belt
25	532 19 70-26	Spring, Torsion, Deflector	188	532 16 58-91	Bolt Carriage Idler
26	532 11 04-52	Nut, Push	189	532 19 25-59	Stand, Brake
27	532 40 14-72	Shield, Deflector	190	532 19 25-60	Arm, Brake
29	532 13 14-91	Rod, Hinge	191	532 19 25-61	Spacer, Brake
30	532 17 39-84	Screw Thdrol.	193	532 19 34-13	Keeper Belt Rh Mandrel
31	532 18 76-90	Washer, Spacer	194	532 19 41-05	Guard Brake
32	532 15 35-32	Pulley, Mandrel	195	819 13 32-10	Washer
33	532 40 02-34	Nut, Toplock	196	532 19 37-82	Bolt/Washer Asm 5/16-18
36	532 13 14-94	Pulley, Idler, Flat	--	532 19 25-58	Brake Assembly (Includes Stand, Arm and Guard Components)
37	532 19 31-98	Pulley Idler Flat	--	532 19 28-70	Mandrel Assembly (Includes Hous- ing, Shaft and Shaft Hardware Only - Pulley Not Included)
40	873 68 06-00	Nut, Crownlock 3/8-16 unc	--	532 19 36-46	Replacement Mower, Complete
45	532 12 47-88	Retainer			
55	532 13 38-40	Idler Arm Assembly			
56	532 16 57-23	Spacer, Retainer			
67	532 10 69-32	Knob			
68	532 19 32-14	V-Belt			
72	532 19 32-16	Spring Brake Return			
89	819 13 13-11	Washer 13/32 x 13/16 x 11 Ga.			
101	532 19 25-73	Cover Mulching			

NOTE: All component dimensions given in U.S. inches
1 inch = 25.4 mm