

ILLUSTRATED PARTS BREAKDOWN

PARTNER

15.5 HP, 42" MOWER DECK

LAWN TRACTOR

MODEL NUMBER P155H42D

954 20 00-10

REPAIR PARTS

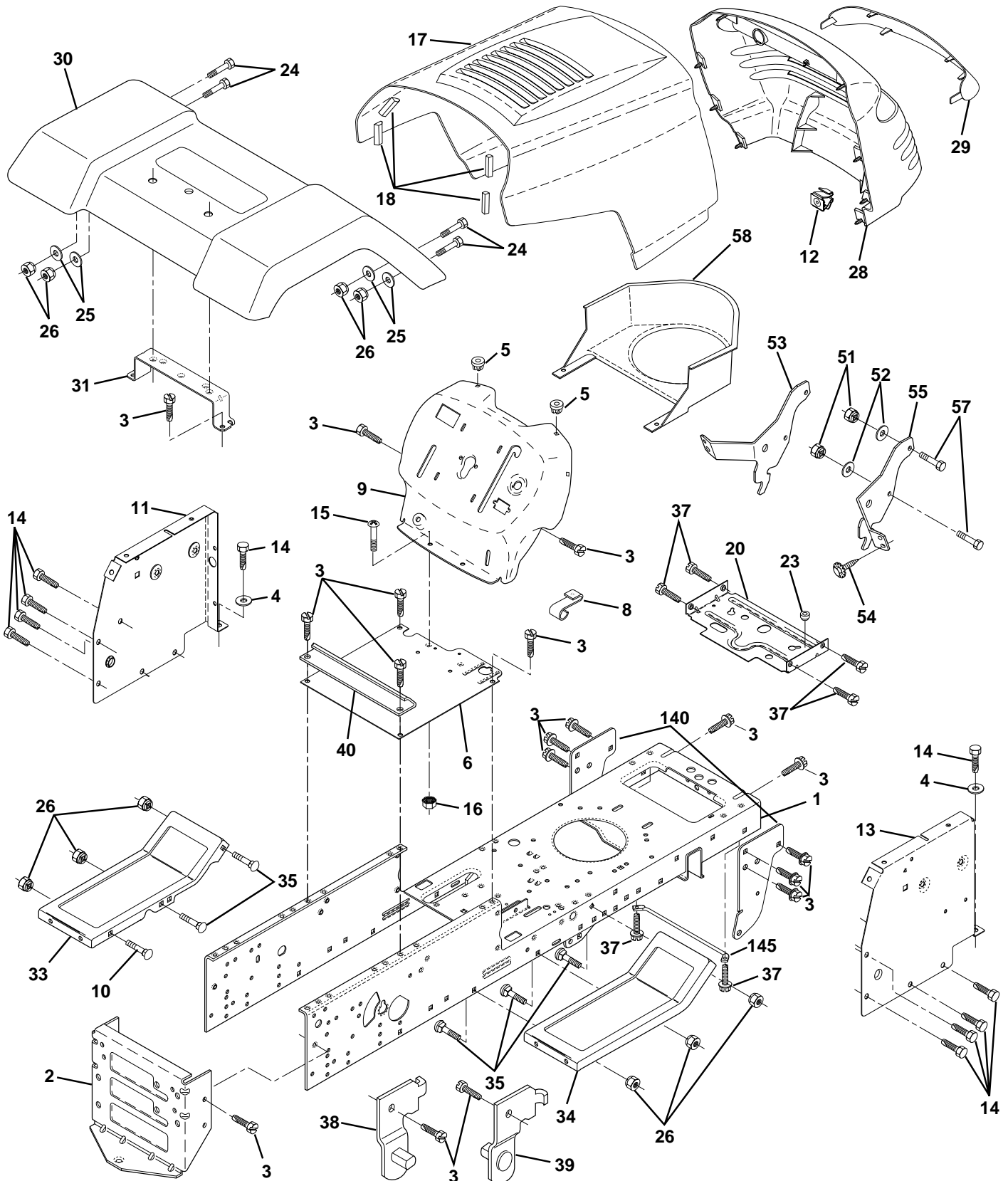
TRACTOR - MODEL NUMBER P155H (P155H42D), PRODUCT NO. 954 20 00-10
ELECTRICAL

KEY PART NO.	PART NO.	DESCRIPTION
1	532144925	Battery 12 Volt 25 Amp Wet
2	874760412	Bolt Hex Hd 1/4-20unc X 3/4
8	532156417	Battery Case
16	532153664	Switch Intlk Clutch Gry 4 Term
19	810090400	Washer Lock 1/4
20	873350400	Nut Jam Hex 1/4-20 Unc
21	532166181	Harness Asm Light W/4152j
22	532004152	Bulb Light #1156
24	532124780	Cable Battery 6 Ga 11"red
25	532146147	Cable Battery 6 Ga 44"red W/16 Wire
26	532166180	Fuse 15 AMP
27	873510400	Nut Keps Hex 1/4-20 Unc
28	532124773	Cable Ground 6 Ga 12"black
29	532121305	Switch Plunger Nc Gray
30	532140301	Switch Ign 4 Pos. w/Lights
31	532124211	Nut Ignition
32	532141226	Cover Switch Ignition
33	532122147	Key Ign
40	532166145	Harness Ign
41	871110408	Bolt Fin Hex 1/4-20 x 1/2
42	532131563	Cover Terminal Red
43	532145673	Solenoid
44	873640400	Nut Keps Hex 1/4-20 Unc
48	532140844	Adapter Ammeter Rectangular
52	532141940	Protection Wire Loop
70	532166658	Harness Eng.

NOTE: All component dimensions given in U.S. inches
1 inch = 25.4 mm

REPAIR PARTS

TRACTOR - MODEL NUMBER P155H (P155H42D), PRODUCT NO. 954 20 00-10
CHASSIS AND ENCLOSURES



REPAIR PARTS

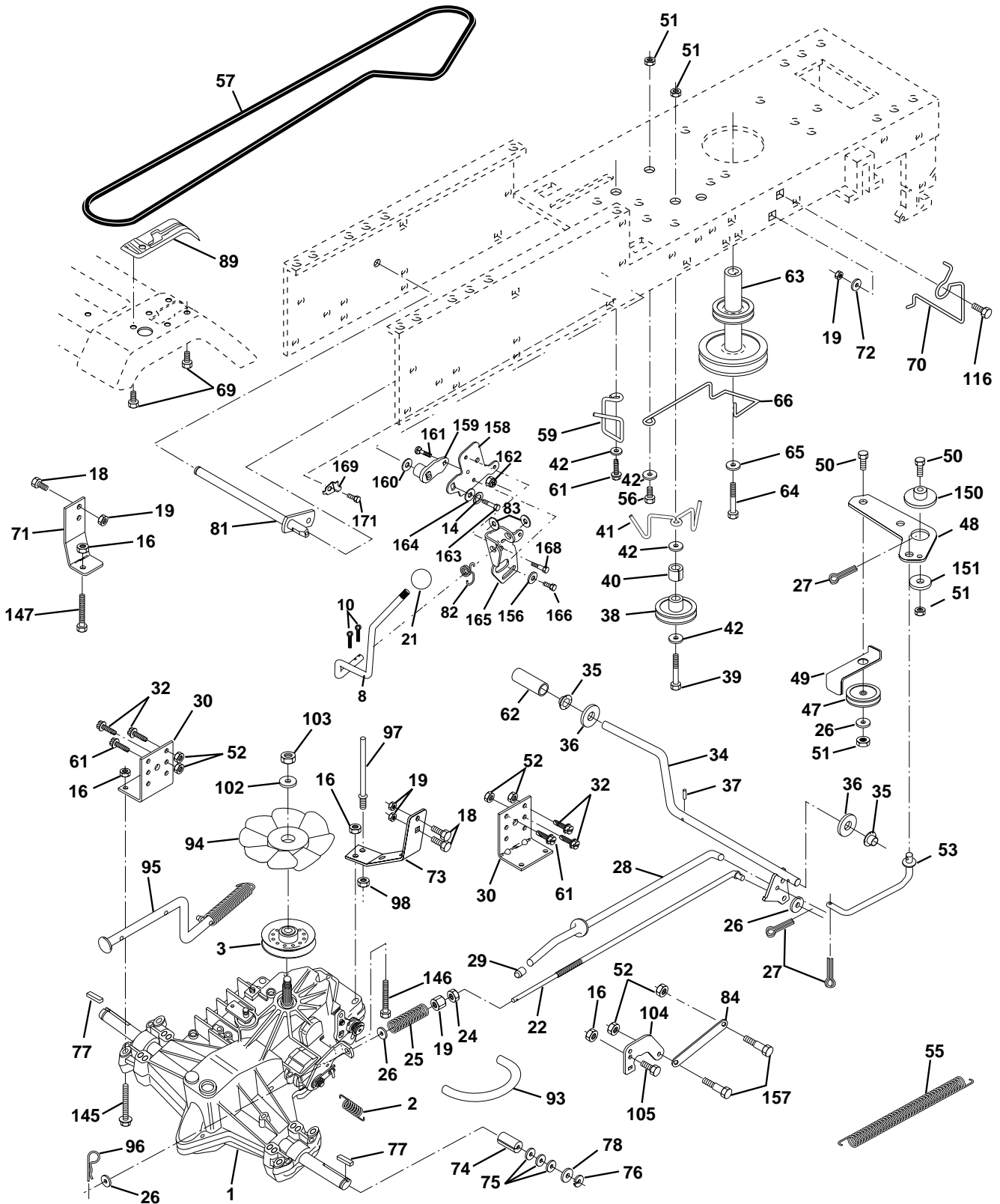
TRACTOR - MODEL NUMBER P155H (P155H42D), PRODUCT NO. 954 20 00-10 CHASSIS AND ENCLOSURES

KEY NO.	PART NO.	DESCRIPTION
1	532165480	Chassis Stamping
2	532140356	Drawbar Stretch 94
3	817060612	Screw 3/8-16 x 3/4
4	819131216	Washer 13/32 x 3/4 x 16 Ga.
5	532155272	Bumper Hood/Dash
6	532155923	Saddle Lt Fender Shift
8	532126471	Clip Insulator Mtg Hole .406
9	532162717	Dash Private Label
10	872140608	Bolt RdHd Sqnk. 3/8-16 Unc x 1
11	532155927	Panel Asm. Dash Lh Private Lable
12	532145660	Clip Tinnerman Grille P/L
13	532169118	Panel Dash Rh Lt Private Label
14	817490608	Screw Thdrol. 3/8-16 x 1/2 Ty-Tt
15	874180512	Screw Mech Trhd. 5/16
16	873510500	Nut Keps Mach 1
17	532160382	Hood Pnt Steel Private Label
18	532126938	Bumper Hood
20	532156437	Plate Mtg Battery/Fuel Tank
23	532124028	Bushing Snap Nyl. Blk Fuel Line
24	874780616	Bolt Fin Hex 3/8-16 Unc x 1
25	819131312	Washer 13/32 x 13/16 x 12 Ga.
26	873800600	Nut Lock Hex w/Ins 3/8-16 Unc
28	532157375	Grill Private Lable Blk
29	532168154	Lens Grille Private label
30	532169200	Fender Pnt Ltst Rod w/shft
31	532139976	Bracket Support Fender
33	532147203	Footrest Pnt. Lh
34	532147202	Footrest Pnt. Rh
35	872110606	Bolt RdHd Sht. Sqnk. 3/8-16 x 3/4
37	817490508	Screw Thdrol. 5/16-18 x 1/2 Tyt
38	532139886	Bracket Asm. Pvt. Lh Mwr. Rear
39	532139887	Bracket Asm. Pvt. Rh Mwr. Rear
40	532139977	Spacer Fender Raised LT
51	873800400	Nut Lock Hex W/Ins. 1/4-20
52	819091416	Washer 9/32 x 7/8 x 16 Ga.
53	532144697	Bracket Grille LH
54	532161464	Screw Hex Wshd 8-18 x 7/8
55	532144696	Bracket, Grill RH
57	874780412	Bolt Fin Hex 1/4-20 x 3/4
58	532140547	Air Duct Private Label
140	532158418	Bracket Front Suspension
145	532156524	Rod Pivot Chassis/ Hood

NOTE: All component dimensions given in U.S. inches
1 inch = 25.4 mm

REPAIR PARTS

TRACTOR - MODEL NUMBER P155H (P155H42D), PRODUCT NO. 954 20 00-10
DRIVE



REPAIR PARTS

TRACTOR - MODEL NUMBER P155H (P155H42D), PRODUCT NO. 954 20 00-10

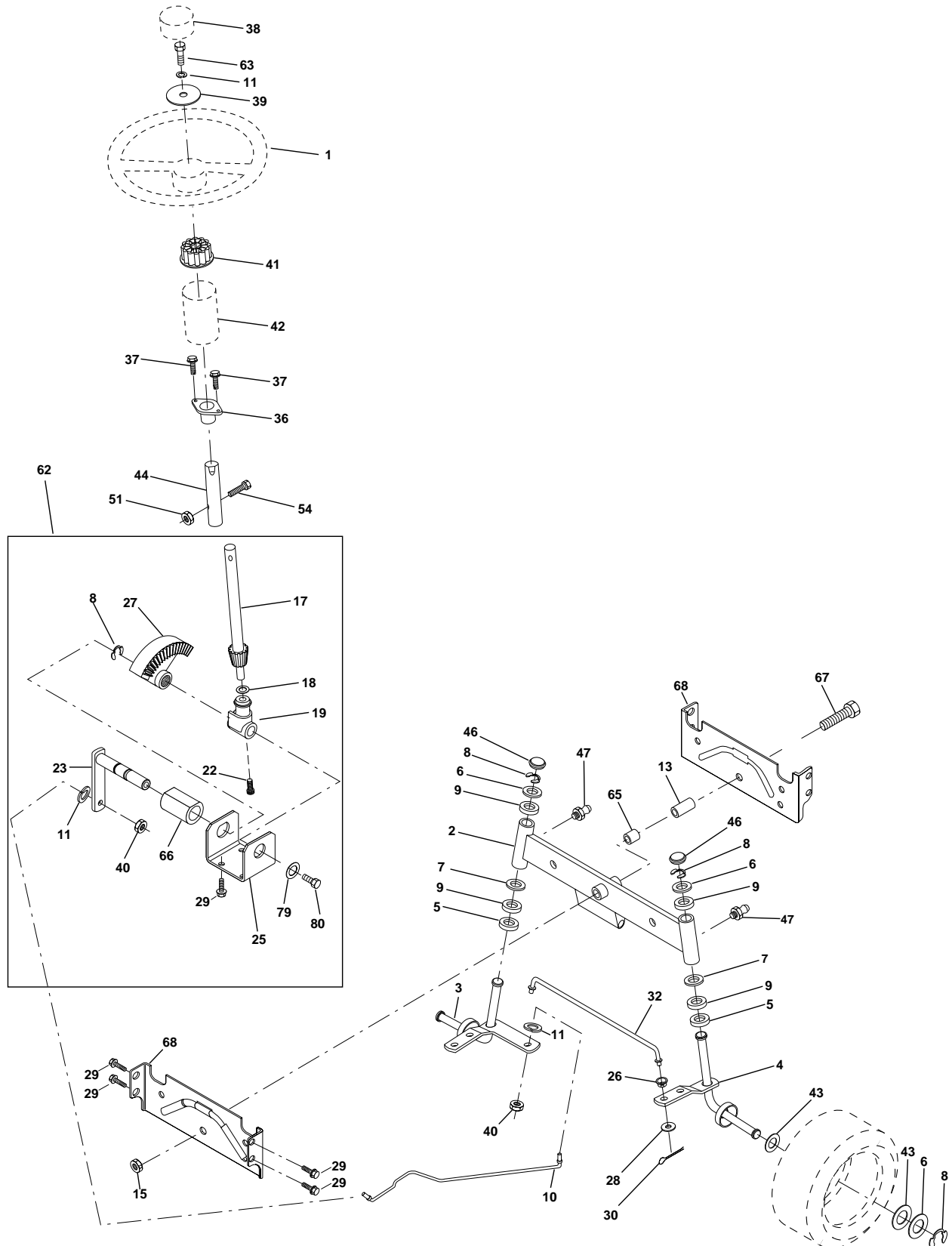
DRIVE

KEY NO.	PART NO.	DESCRIPTION	KEY NO.	PART NO.	DESCRIPTION
1	-----	Transaxle Hydro Gear 319-0650 (Order parts from transaxle manufacturer)	70	532134683	Keeper Belt Engine
2	532142431	Spring, Return, Brake	71	532140158	Strap Torque Lh Hydro 18/20" T
3	532143995	Pulley, Transaxle	72	819132012	Washer 13/32 x 1-1/4 x 12 Gauge
8	532165619	Rod Shift Fender adjust LT	73	532156347	Strap Torque Rh Hydro
10	876020416	Pin Cotter 1/8 x 1 CAD	74	532121199	Spacer, Split
14	810040400	Washer Lock Hvy Helical	75	532121749	Washer 25/32 x 1-1/4 x 16 Gauge
16	873800500	Nut Lock Hex W/Ins. 5/16-18 Unc P	76	812000001	E-Ring
18	874780616	Bolt Fin Hex 3/8-16 Unc x 1 Gr. 5	77	532123583	Key, Square
19	873800600	Nut Lock Hex W/Wsh 3/8-16 Unc	78	532121748	Washer 25/32 x 1-5/8 x 16 Gauge
21	532140845	Knob 1/2-13	81	532165591	Shaft Asm. Cross
22	532145627	Rod, Brake Hydro	82	532123782	Spring Torsion T/A
24	873350600	Nut	83	819171216	Washer 17/32 x 3/4 x 16 Ga.
25	532106888	Spring, Brake Rod	84	532165815	Link Transaxle 0650 LT
26	819131316	Washer	89	532166767	Console, Shift
27	876020412	Pin Cotter 1/8 x 3/4 CAD.	93	532142564	Line Fuel Hydro 4"
28	532145204	Rod, Parking Brake	94	532140462	Fan, Hydro 7"
29	532071673	Cap, Parking Brake	95	532167696	Control Asm Bypass Hydro
30	532130807	Bracket, Transaxle	96	532124788	Retainer Spring 1" Zinc/Cad
32	874760512	Bolt Hex Hd 5/16-18 Unc x 3/4	97	532140469	Keeper Bolt Rh Hydro 0750. 18/20"
34	532155071	Shaft, Foot Pedal	98	873510600	Nut Keps Hex 3/8-16 Unc
35	532120183	Bearing, Nylon	102	532141322	Washer Belleville .501D x 1.50D
36	819211616	Washer	103	873940800	Nut Hex Jam Toplock 1/2-20 Unf
37	532124963	Pin, Roll	104	532140156	Arm, Control Hydro
38	532131494	Pulley, Idler, Flat	105	871070516	Screw Cap Hex 5/16 x 18 x 1
39	874760644	Bolt	116	872110610	Bolt Rdhd Sq Neck 3/8-16 x 1.25
40	532124965	Spacer, Split	145	874490540	Bolt Fin Hex 5/16-18 Unc x Gr. 5
41	532165838	Keeper, Belt Idler	146	874490536	Bolt Hex Flghd 5/16-18 Unc x 1-1/4
42	819131312	Washer 13/32 x 13/16 x 12 Gauge	147	874490524	Bolt hex Flghd 5/16-18 Unc x 2
47	532127783	Pulley, Idler, V-Groove	150	532165850	Bushing Bellcrank Grd Drive
48	532154407	Bellcrank Clutch Grnd Drive Stl	151	819133210	Washer 13/32 x 2 x 10 Ga.
49	532123205	Retainer, Belt	156	532166002	Washer Srrted 5/16ID x 1.125
50	874760624	Bolt	157	532153236	Bolt Shoulder 5/16-18 Unc - 2A
51	873680600	Nut	158	532165589	Bracket Shift Mount
52	873680500	Nut Crownlock 5/16-18 UNC	159	532165494	Hub Tapered Flange Shift Lt
53	532105710	Link, Clutch	160	819292016	Washer 29/32 x 1/4 x 16 Ga
55	532105709	Spring, Return, Clutch	161	872140406	Bolt Rdhd Sqnk 1/4-20 x 3/4 Gr 5
56	874760620	Bolt Fin Hex 3/8-16 x 1-1/4	162	873680400	Nut Crownlock 1/4-20 Unc
57	532140294	V-Belt, Ground Drive	163	874780416	Bolt Hex Fin 1/4-20 Unc x 1 Gr 5
59	532140312	Keeper, Center Span	164	819091010	Washer 5/8 x .281 x 10 Ga
61	817060612	Screw 3/8-16 x 3/4	165	532165623	Bracket Pivot Lever
62	532124872	Cover, Pedal	166	532166880	Screw 5/16-18 x 5/8
63	532140186	Pulley, Engine	168	532165492	Bolt Shoulder 5/16-18 x .561
64	871170764	Bolt, Hex	169	532165581	Plate Fastening Lt
65	810040700	Washer	171	817490608	Screw Thdrol 3/8-16 x 1/2 Ty-Tt
66	532154778	Keeper Belt Engine			
69	532142432	Screw			

NOTE: All component dimensions given in U.S. inches.
1 inch = 25.4 mm.

REPAIR PARTS

TRACTOR - MODEL NUMBER P155H (P155H42D), PRODUCT NO. 954 20 00-10
STEERING ASSEMBLY



REPAIR PARTS

TRACTOR - MODEL NUMBER P155H (P155H42D), PRODUCT NO. 954 20 00-10 STEERING ASSEMBLY

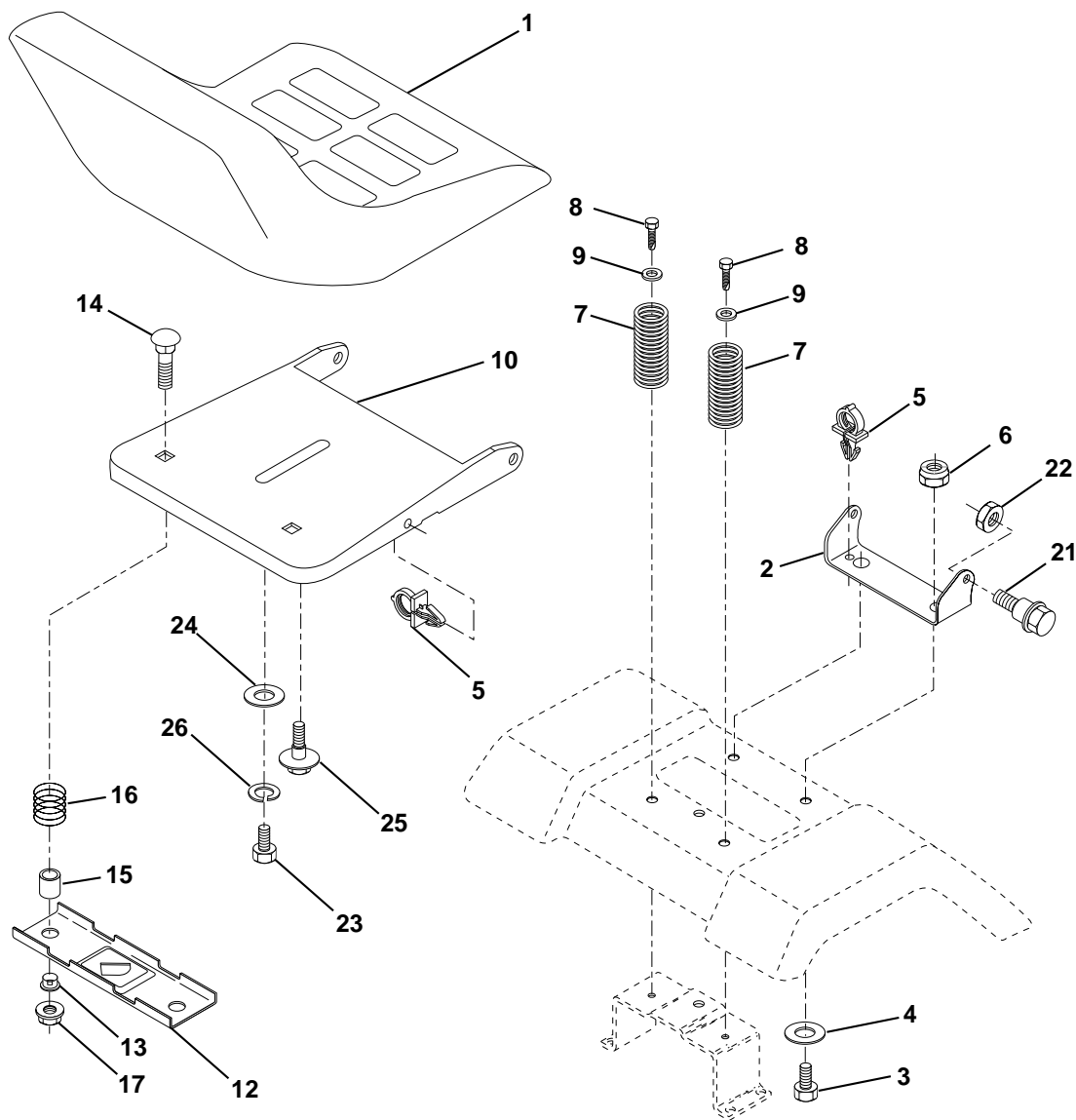
KEY NO.	PART NO.	DESCRIPTION
1	532139768	Wheel Steering Opp Sears Blk
2	532154427	Axle Asm Stmp Dropped Stl
3	532156483	Spindle Asm LH
4	532157473	Spindle Asm RH
5	532124931	Bearing Race Thrust Harden
6	532121748	Washer 25/32 X 1-5/8 X 16 Ga
7	819272016	Washer 27/32 X 1-1/4 X 16 Ga
8	812000029	Ring Klip #t5304-75
9	532124937	Bearing Col Strg Blk
10	532156438	Link Drag Extended Stamped
11	810040600	Washer Lock Hvy Hlcl Spr 3/8
13	532154779	Bearing Axle
15	873901000	Nut Lock Flange 5/8-11 Unc
17	532156546	Shaft Asm Strg
18	532057079	Washer Thrust 515x 750x 033
19	532160395	Support Shaft
22	532165857	Screw Hex Wshhd Torx
23	532165851	Shaft Asm Pittman
25	532154406	Bracket Steering
26	532126847	Bushing Link Drag Blk LR
27	532136874	Gear Sector 22 Teeth
28	819131416	Washer 13/32 X 7/8 X 16 Ga
29	817060612	Screw 3/8-16x3/4
30	876020412	Pin Cotter 1/8 X 3/4 Cad
32	532130465	Rod Tie Wire Form 19 75 Mech
36	532155099	Bushing Steering
37	532152927	Screw TT #10-32 x 5 x 3/8 Flange
38	532140175	Cap Wheel Steer P/L
39	819133812	Washer 13/32 x 2-3/8 x 12 Ga
40	532124701	Nut Lock Center 3/8-24 Unf
41	532100711	Adapter Wheel Strg
42	532169633	Boot Shaft Steering
43	532121749	Washer 25/32 X 1 1/4 X 16 Ga
44	532153720	Shaft Extension Steering
46	532121232	Cap Spindle Fr Top Blk
47	532124836	Fitting Grease
51	873800500	Nut Lock Hex W/Ins. 5/16-18 Unc P
54	874780520	Bolt Fin Hex 5/16-18 Unc P
62	532167902	Kit Steering Asm Service
63	874780616	Bolt Fin Hex 3/8-16 UNC x 1 Gr. 5
65	532154780	Spacer Axle
66	532154404	Bearing Arm Pittman
67	874781044	Bolt Fin Hex 5/8-11 UNC x 2-3/4
68	532154429	Brace Axle
79	819132012	Washer 13/32 x 1-1/4 x 12 Ga.
80	874950612	Bolt Hex Nylon 3/8-16 x 3/4

NOTE: All component dimensions given in U.S. inches
1 inch = 25.4 mm

REPAIR PARTS

TRACTOR - MODEL NUMBER P155H (P155H42D), PRODUCT NO. 954 20 00-10

SEAT



KEY NO.	PART NO.	DESCRIPTION
1	532140117	Seat 2400/1416 Blk/blk Std
2	532140551	Bracket Pivot Seat
3	874760616	Bolt Fin Hex 3/8-16unc X 1
4	819131610	Washer 13/32 X 3/4 X 10 Ga
5	532145006	Clip Push-In
6	873800600	Nut Lock Hex w/Ins 3/8-16 Unc
7	532124181	Spring Seat Cprsn 2 250 Blk Zi
8	817060616	Screw 3/8-16 X 1-1/2
9	819131614	Washer 13/32 X 1 X 14 Ga
10	532155925	Pan Seat
12	532121246	Bracket Mounting Switch
13	532121248	Bushing Snap Blk Nyl 50 Id

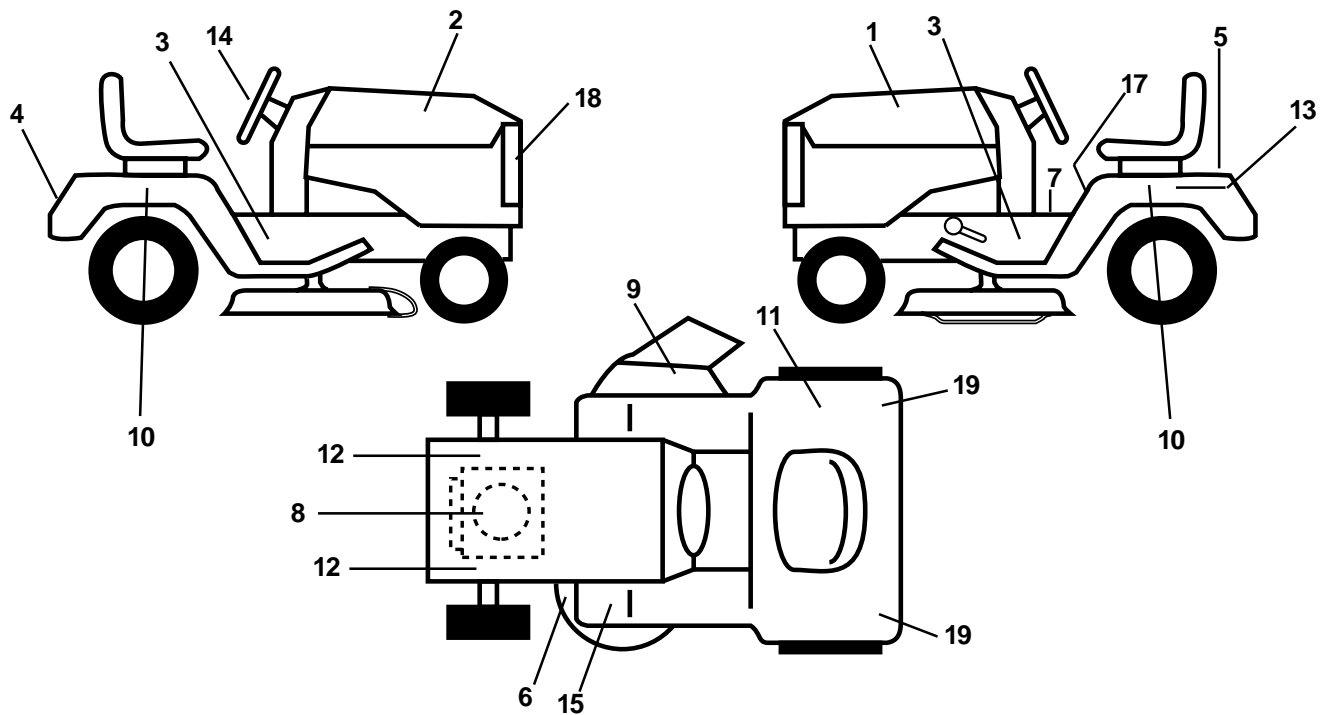
KEY NO.	PART NO.	DESCRIPTION
14	872050412	Bolt Rdhd Sht Nk 1/4-20x1-1/2
15	532134300	Spacer Split 28x 96 Yel Zinc
16	532121250	Spring Cprsn 1 27 Blk Pnt
17	532123976	Nut Lock 1/4 Lge Flg Gr 5 Zinc
21	532153236	Bolt Shoulder 5/16-18 UNC-2A
22	873800500	Nut Lock Hex w/Ins 5/16-18
23	874780814	Bolt Fin Hex 1/2-13 x 7/8 Gr. 5
24	819171912	Washer 17/32 X 1-3/16 X 12 Ga.
25	532127018	Bolt Shoulder 5/16-18 X 62
26	810040800	Washer Lock Hvy Hlcl Spr 1/2

NOTE: All component dimensions given in U.S. inches
1 inch = 25.4 mm

REPAIR PARTS

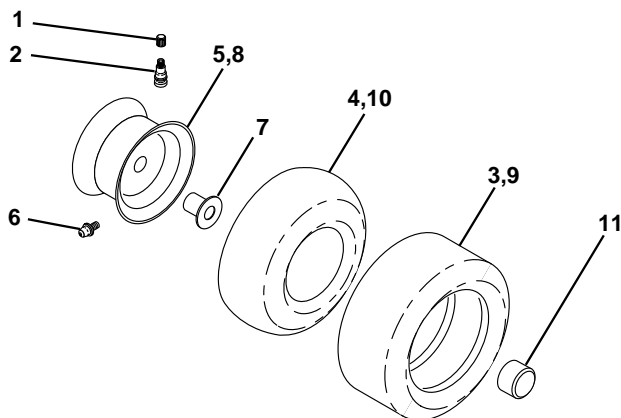
TRACTOR - MODEL NUMBER P155H (P155H42D), PRODUCT NO. 954 20 00-10

DECALS



KEY NO.	PART NO.	DESCRIPTION	KEY NO.	PART NO.	DESCRIPTION
1	532166752	Decal Hood LH	13	532145005	Decal Battery Dan/Poi P/L
2	532166751	Decal Hood RH	14	532146998	Decal Strg Wheel
3	532137588	Decal Chass Turbo Collection	15	532159737	Decal Brake/Clutch Symbol LT
4	532140987	Decal Fender Logo	17	532145498	Decal Read Owner's Manual Sym
5	532126187	Decal 100 Dba	18	532140986	Decal Logo Grille
6	532160396	Decal V-Belt Sch 38"/42" LT	19	532106202	Reflector Tail Light Red/amber
7	532140837	Decal Saddle Brake Parking	-	532162598	Decal Drawerbar Load Limit
8	532169444	Decal Engine B&S	-	532138311	Decal Handle Lft Height Adjust
9	532145494	Decal Mower Cutfinger Symbol	-	532169210	Decal By Pass Lt Hydro
10	532140950	Decal Fend. Auto. Partner	-	532157199	Pad Footrest Sq Generic
11	532145437	Decal Europe Stand CE	-	532169614	Manual Oper (Euro)
12	532159736	Decal Chassis Hot Muffler	-	532169615	Manual Oper (Scand)

WHEEL

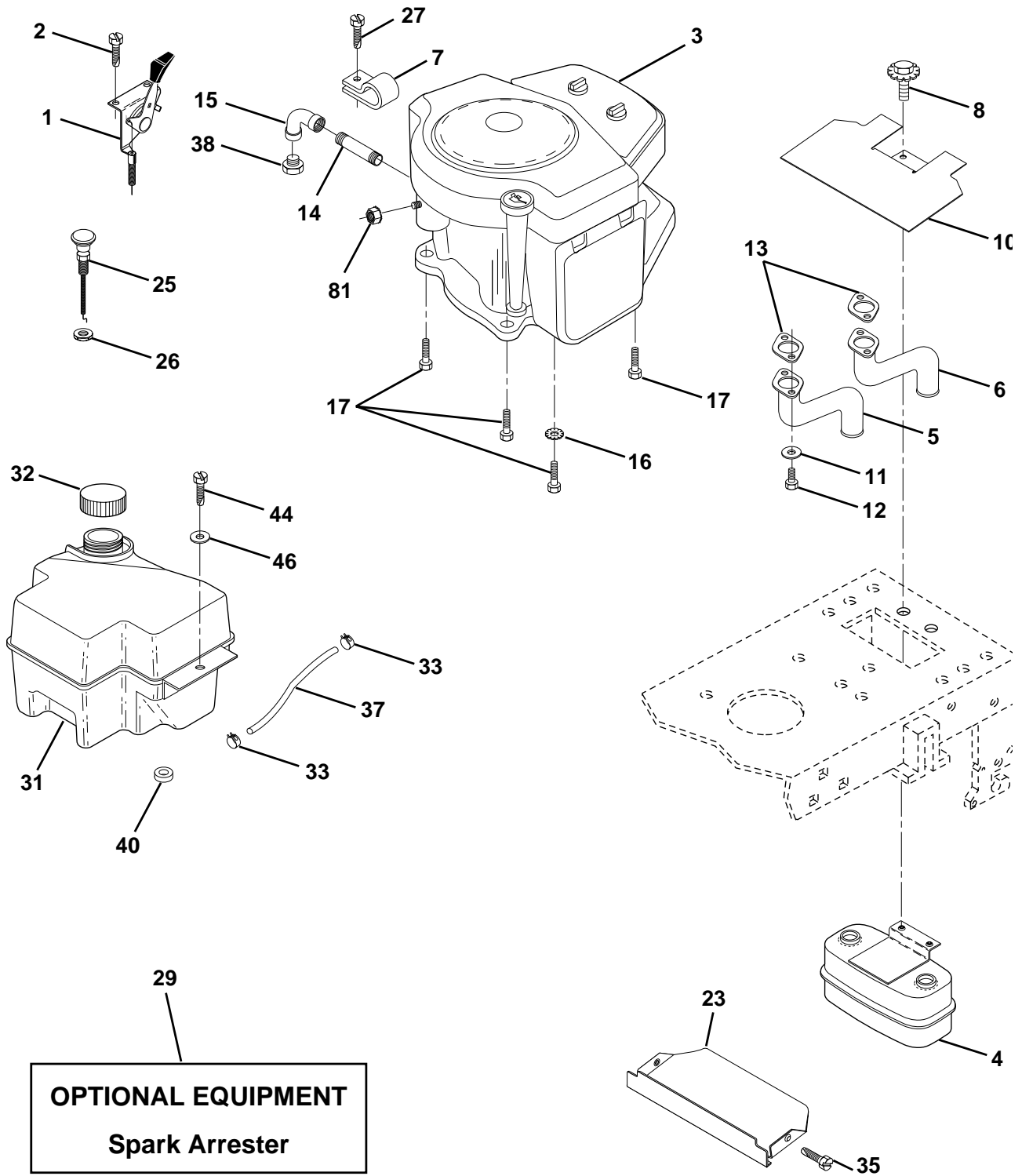


KEY NO.	PART NO.	DESCRIPTION
1	532059192	Cap Valve Tire
2	532065139	Stem Valve
3	532106222	Tire F Ts 15 X 6 0 - 6 Service
4	532059904	Tube Front (Service Item Only)
5	532125121	Rim Asm 6" front Yellow Service
6	532124957	Fitting Grease (Front Wheel Only)
7	532124959	Bearing Flange (Service Item Only)
8	532125122	Rim Asm 8" rear Yellow Service
9	532122082	Tire R Ts 18x9 5-8 C Service
10	532124926	Tube Rear (Service Item Only)
11	532104757	Cap Axle Blk 1 50 X 1 00
--	532144334	Sealant, Tire (10 oz. Tube)

NOTE: All component dimensions given in U.S. inches
1 inch = 25.4 mm

REPAIR PARTS

TRACTOR - MODEL NUMBER P155H (P155H42D), PRODUCT NO. 954 20 00-10
ENGINE



REPAIR PARTS

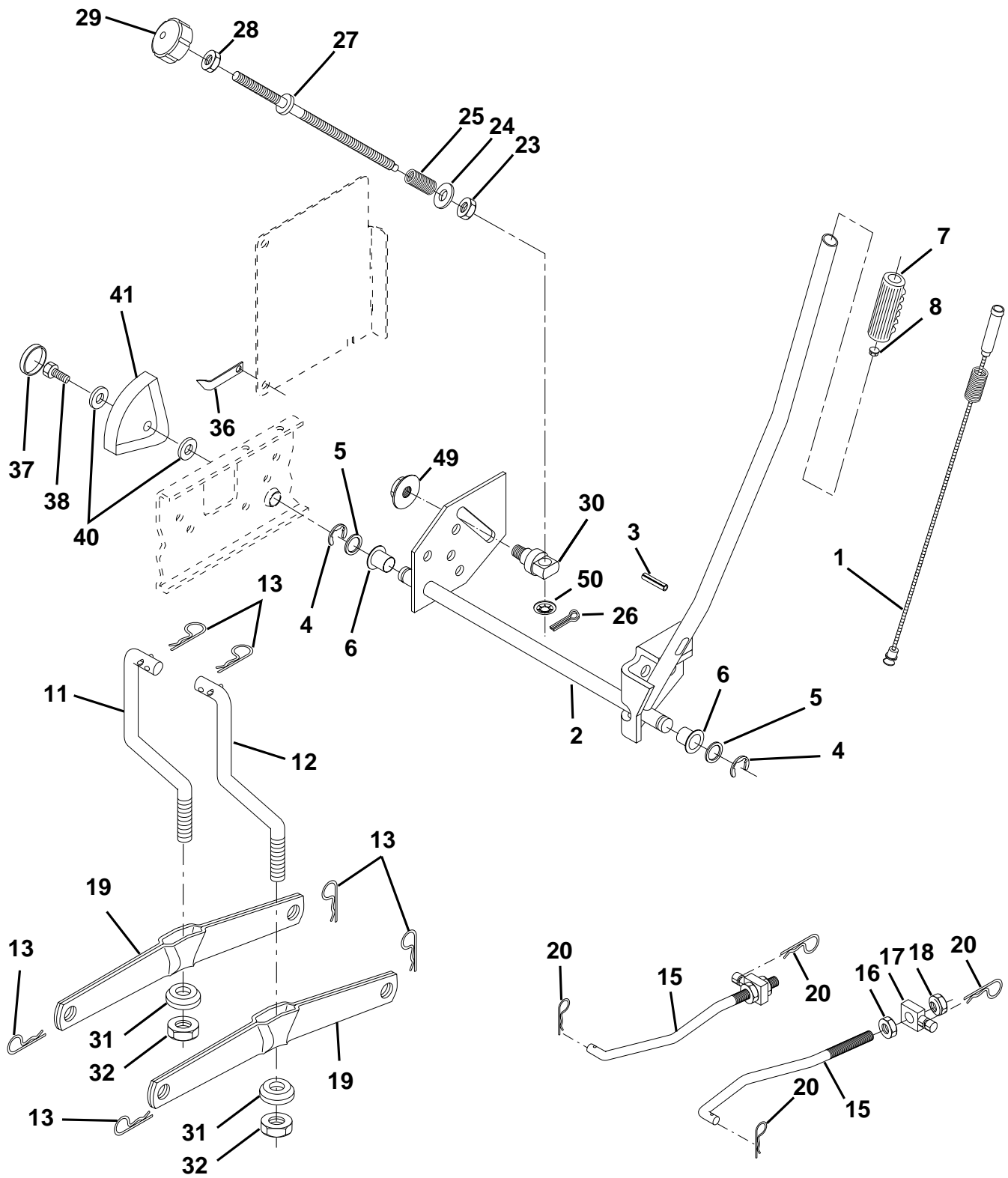
TRACTOR - MODEL NUMBER P155H (P155H42D), PRODUCT NO. 954 20 00-10
ENGINE

KEY NO.	PART NO.	DESCRIPTION
1	532141295	Control Throt 35.5 Lh Flag
2	817720410	Screw Hex Thd Cut 1/4-20x5/8 T
3	-----	Engine Briggs Model No. 42E707 (Order parts from engine manufacturer)
4	532149723	Muffler Exhaust
5	532144069	Exhaust Asm. Left
6	532144068	Exhaust Asm. Right
7	532138129	Clamp Tube Double Engine
8	532150176	Bolt 5/16 - 18 UNC X 3/4 W/Sems
10	532145552	Heat Shield Lt
11	810040400	Washer Lock Hvy. Helical 1/4
12	874780412	Bolt Fin Hex 1/4-20 x 3/4
13	532165287	Gasket Muffler
14	813280336	Nipple Pipe 4-1/2"
15	813200300	Elbow Std 90 Degree 3/8-18 Npt
16	811050600	Washer Lock Ext Tooth 3/8
17	517490624	Screw Thdrol 3/8-16x1-1/2 Tytt
23	532159880	Shield Browning/Debris Guard
25	532145996	Control Choke
26	873920600	Nut Keps 3/8-24 Unf
27	532152927	Screw TT #10-32 x 5 x 3/8 Flange
29	532137180	Arrestor Spark
31	532161911	Tank Fuel Frt 2.00
32	532140527	Cap Asm Fuel Top Vent N/Lany
33	532123487	Clamp Hose Blk
35	817060512	Screw 5/16-18 x 3/4
37	532137040	Line Fuel
38	-----	Plug Oil Drain (Order From Engine Manufacturer)
40	532124028	Bushing Snap Nyl Blk Fuel Line
44	817490412	Screw Hex Wsh Thdrol 1/4-20 x 3/4
46	819091416	Washer 9/32 x 7/8 x 16 Ga.
81	532128861	Nut, Flange 1/4-20 Starter Nut

NOTE: All component dimensions given in U.S. inches
1 inch = 25.4 mm.

REPAIR PARTS

TRACTOR - MODEL NUMBER P155H (P155H42D), PRODUCT NO. 954 20 00-10
LIFT



REPAIR PARTS

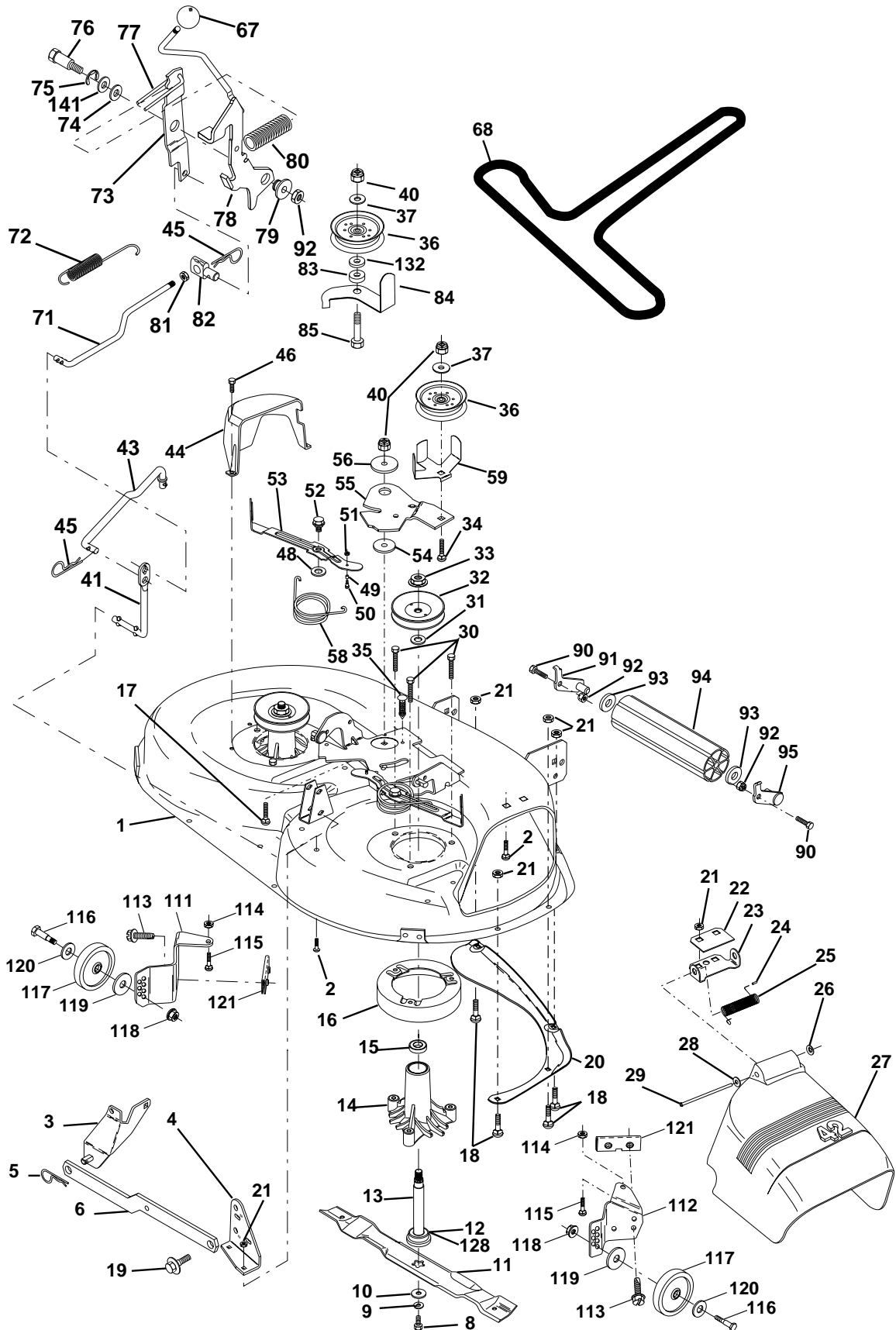
TRACTOR - MODEL NUMBER P155H (P155H42D), PRODUCT NO. 954 20 00-10
LIFT

KEY NO.	PART NO.	DESCRIPTION
1	532159460	Wire Asm Inner W/plunger
2	532159471	Shaft Asm Lift RH
3	532105767	Pin Groove 1 500 Zinc
4	812000002	E Ring #5133-62
5	819211621	Washer 21/32 X 1 X 21 Ga
6	532120183	Bearing Nylon Blk 629 Id
7	532109413	Grip Handle Bicycle Matte Blk.
8	532124526	Button Plunger Black
11	532139865	Link Lift LH Fixed Length
12	532139866	Link Lift RH Fixed Length
13	532124670	Retainer Spring
15	532127218	Link Front
16	873350800	Nut Jam Hex 1/2-13 Unc
17	532130171	Trunnion Blk Zinc
18	873680800	Nut Crownlock 1/2-13 Unc
19	532139868	Arm Suspension Rear
20	532163552	Retainer Spring
23	532110807	Nut Special
24	819131016	Washer 13/32 X 5/8 X 16 Ga
25	532124874	Spring 2-1/8"
26	876020308	Pin Cotter 3/32 X 1/2
27	532126971	Rod Adj Lift Zinc 7.49 Wrk Lg
28	873350600	Nut Hex Jam 3/8-16 Unc
29	532138057	Knob Inf 3/8-16 Unc Blk W/sym
30	532150233	Trunnion Dp Stop Dbl Thds PLT
31	532140302	Bearing Pvt Lift Spherical
32	873540600	Nut Crownlock 3/8-24
36	532155097	Pointer Pnt Height ind .505
37	532123935	Plug Hole Blk 1.485/1.515 Dia.
38	817060512	Screw 5/16-18 x 3/4
40	819112410	Washer 11/32 x 1-1/2 10 Ga.
41	532123934	Scale Ind. Height Blk.
49	532145212	Nut Hex Flange Lock
50	532110452	Nut Push Phos & Oil

NOTE: All component dimensions given in U.S. inches
1 inch = 25.4 mm

REPAIR PARTS

TRACTOR - MODEL NUMBER P155H (P155H42D), PRODUCT NO. 954 20 00-10
MOWER DECK



REPAIR PARTS

TRACTOR - MODEL NUMBER P155H (P155H42D), PRODUCT NO. 954 20 00-10

MOWER DECK

KEY NO.	PART NO.	DESCRIPTION	KEY NO.	PART NO.	DESCRIPTION
1	532164961	Asm., Mower Deck 42"	55	532155046	Arm, Idler
2	872140506	Bolt	56	532165723	Spacer, Retainer
3	532138017	Asm., Bar, Anti-Sway	58	532140086	Spring Torsion Brake
4	532138440	Asm., Bracket, Anti-Sway Bar	59	532141043	Guard Idler TUV
5	532124670	Spring, Retainer	67	532162132	Knob Rd 3/8-16 Plstc Thds Blk
6	532130832	Arm, Suspension, Rear	68	532144200	V-Belt, Mower
8	532850857	Bolt 3/8-24 x 1,25 Gr. 8	71	532142427	Rod, Clutch, Primary, with Nibs
9	810030600	Washer, Lock	72	532131870	Spring, Extension, Return
10	532140296	Washer, Hardened	73	532127847	Arm, Clutch, Secondary
11	532138498	Blade, Mower, High Lift	74	532121748	Washer 25/32 x 1-5/8 x 16 Ga.
12	532129895	Bearing, Ball	75	812000029	Ring, Klip
13	532137645	Asm., Shaft, Mandrel, Vented (includes key no. 12)	76	532128903	Bolt, Shoulder 3/8-16 UNC x 1.44
14	532128774	Housing, Mandrel, Vented	77	532127845	Keeper, Spring
15	532110485	Bearing, Ball, Mandrel	78	532160570	Arm, Clutch, Primary
16	532140329	Stripper Round Mower	79	532127498	Bushing, Large, Brass
17	872110610	Bolt	80	532153701	Spring Clutch Mower
18	872140505	Bolt, Carriage 5/16-18 x 5/8	81	873350600	Nut Hex Jam 3/8-16
19	532132827	Bolt Shoulder 5/16-18 Thd Form	82	532142028	Trunnion Adj 94
20	532159770	Baffle	83	532120958	Washer Sintered
21	873680500	Nut Crownlock 5/16-18 UNC	84	532156084	Keeper Belt Idler
22	532134753	Stiffener, Bracket	85	872140620	Bolt Rdhd Sq 3/8-16 Unc x 2-1/2
23	532131267	Bracket, Deflector	90	874760616	Bolt Hex 3/8-16 x 1
24	532105304	Cap, Sleeve	91	532132274	Asm., Bracket, Nose Roller Lh
25	532123713	Spring, Torsion, Deflector	92	873800600	Nut
26	532110452	Washer, Lock	93	819171416	Washer 17/32 x 7/8 x 16 Ga.
27	532130968	Deflector, Shield	94	532132264	Nose Roller
28	819111016	Washer 11/32 x 5/8 x 16 Ga.	95	532132273	Asm., Bracket, Nose Roller Rh
29	532131491	Rod, Hinge	111	532155197	Bracket, Gauge Wheel Lh
30	532157722	Screw Thd Rolling Washer Head	112	532155198	Bracket, Gauge Wheel Rh
31	532129963	Washer, Spacer	113	817060512	Screw 5/16-18 x 3/4
32	532153535	Pulley, Mandrel	114	873510500	Nut, Keps 5/16-18
33	532137266	Nut Lock 9/16	115	872110504	Bolt Carriage 5/16-18 x 1/2
34	872110614	Bolt, Carriage 3/8-16 x 2-3/4	116	532124842	Bolt, Shoulder
35	532133835	Fastener Christmas Tree	117	532105455	Wheel, Gauge
36	532131494	Pulley, Idler, Flat	118	873930600	Nut, Centerlock 3/8-16 UNC
37	819131316	Washer 13/32 x 13/16 16 Ga.	119	819121414	Washer 3/8 x 7/8 x 14
40	873680600	Nut, Carriage 3/8-16	120	819171512	Washer 17/32 x 15/16 x 12 Ga.
41	532133551	Rod Pivot w/nibs	121	532143723	Bracket Extruded Gauge Wheel
43	532140083	Rod Clutch Secondary w/nibs	128	532153390	Washer Felt
44	532140088	Cover, Mandrel, Lh	132	819132203	Spacer Washer 13/32 I.D. x 1-3/8 O.D. x 1/4
45	532124788	Spring Retainer 1"	141	532124931	Washer Thrust .75 x 1.230
46	532137729	Screw, Thdrol 1/4-20 x 5/8	--	532130794	Asm. Mandrel (includes key nos. 8-10, 12-15, 31 et 33)
48	532133944	Washer Hardened Smaller	--	532164962	Deck, Mower, Complete (Order separately noseroller and gauge wheel components key nos. 90-95 and 111-121)
49	532155066	Roller Asm Cam Folr Mech Decks			
50	532131340	Bolt Shoulder 10-24			
51	532069180	Nut Lock #10-24			
52	532139888	Bolt Shoulder 5/16-18			
53	532131845	Arm Asm Brake Pad			
54	532133943	Washer, Hardened			

NOTE: All component dimensions given in U.S. inches
1 inch = 25.4 mm