

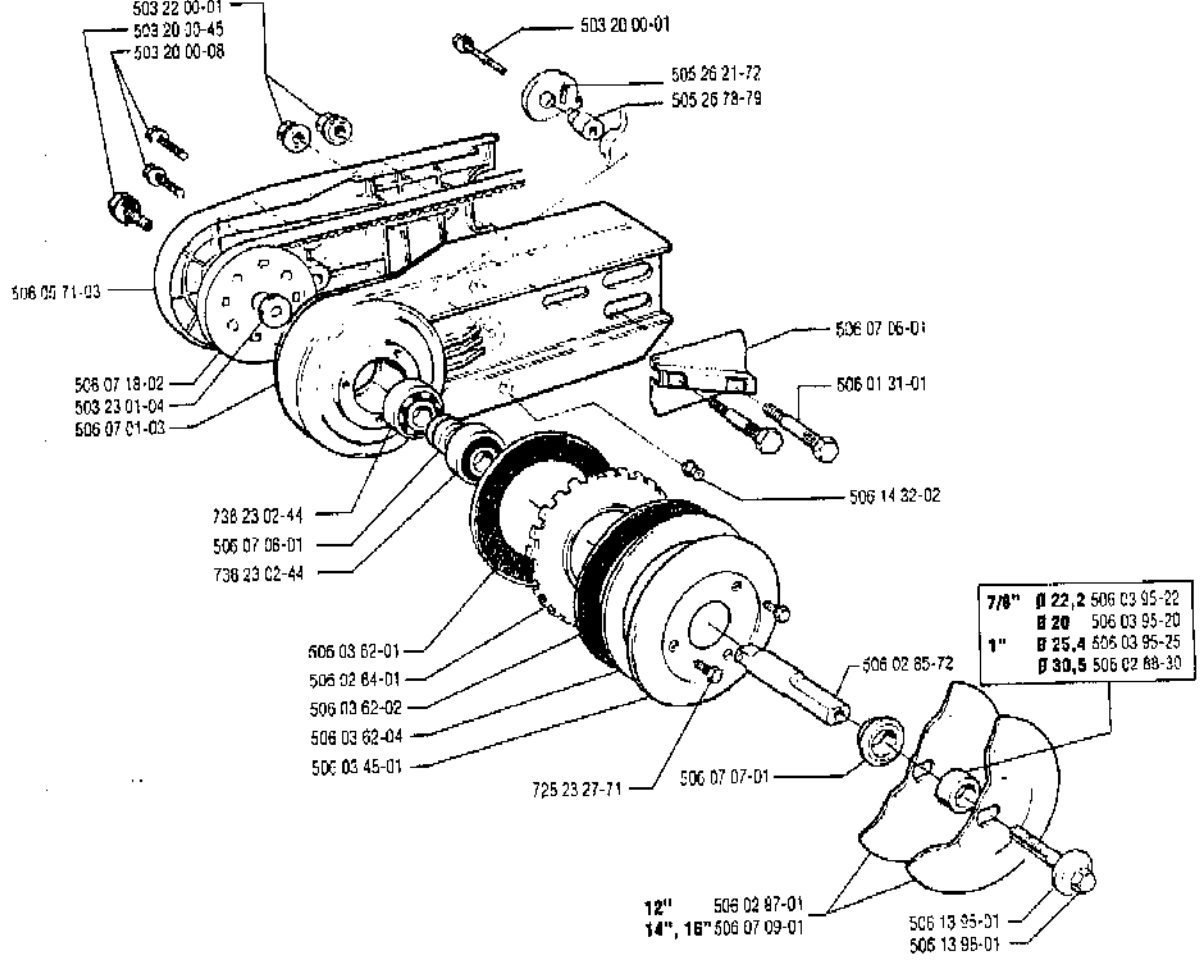
No.	Pos.	Description
501 22 09-01	M	Plug
501 22 04-01	M	Ball
501 22 08-01	M	Gasket, metering side
501 22 09-01	M	Metering diaphragm
501 22 12-01	M	Fuel pump shaft/worm
501 22 10-01	M	Gasket, pump side
501 22 14-01	M	Cap
501 22 15-01	M	Screw
501 22 17-01	M	Spring
501 22 20-01	M	Lever
501 22 21-01	M	Shaft
501 22 23-01	M	Head/4
501 22 24-01	M	Filter
501 22 25-01	M	Spring
501 26 65-01	M	Needle L
501 26 89-01	M	Needle H
501 42 71-07	M	Bushing
501 48 50-01	M	Gasket
501 48 52-01	M	Screw
501 48 54-02	K	Spark plug connecting kit
501 50 24-01	M	Governor
501 60 02-02	N	Screwdriver
501 60 68-01	J	Clamp
501 69 17-02	N	Combifocal
501 76 83-04	J	Hex
501 76 83-26	J	Hex, 245 mm
501 82 18-01	M	Retaining ring
501 82 19-01	M	Cover
502 01 22-01	M	Choke flap
503 12 81-02	L	Starter handle
503 15 59-02	E	Bracket right
503 16 03-02	L	Decal
503 17 99-01	E	Stop button
503 20 00-01	A, E, J, K	Screw M6SF 5x20
503 20 00-03	D, E, F	Screw M6SF 5x12
503 20 00-05	C, L, O	Screw M6SF 5x25
503 20 00-07	J, G	Screw M6SF 5x40
503 20 00-08	A, B, E	Screw M6SF 5x30
503 20 00-09	J, O	Screw M6SF 5x45
503 20 00-10	E	Screw M6SF 5x55
503 20 00-12	D	Screw M6SF 5x70
503 20 00-17	F	Screw M6SF 5x90
503 20 00-21	E, K	Screw M6SF 5x18
503 20 00-45	A	Screw
503 20 31-01	L	Screw LKDS 3x10
503 21 28-10	E	Screw
503 22 00-01	A	Nut MSFM M8
503 22 21-01	K	Lock nut MBx1
503 22 65-04	E, J	Nut
503 23 00-05	H	Washer 5.5x11
503 23 00-11	E	Washer 5.3x12
503 23 00 32	K	Washer 5.3x15
503 23 01-01	K	Washer 8.4x15
503 23 01 22	M	Washer 5.25x8
503 23 01-04	A	Washer 15x21
503 23 51-08	K, O	Spark plug RCJ7Y
503 24 66-07	N	Pin 3.6x120
503 25 00-02	G, J, O	Ball bearing 6203C30E6
503 26 02-04	J, O	Sealing ring
503 28 90-24	C, O	Piston ring
503 40 13-02	E	Bracket left
503 40 17-01	E	Contact spring
503 40 18-01	E	Holder
503 41 18-02	K	Cable
503 47 83-01	M	Throttle flap
503 48 63-01	M	Cover screw
503 49 08-01	O	Gasket
503 53 40-01	M	Nut
503 57 96-01	M	Ball
503 57 87-01	M	Idle adjustment screw
503 62 02-03	K	Ignition module
503 65 27-01	M	Screw
503 67 98-01	M	Valve
503 94 50-01	K	Cable
504 35 72-01	J	Fuel filter
505 20 23-51	J	Pinhead
505 20 23 52	J	Pin
505 26 21-72	A	Eccentric
505 26 58-15	B	Holder

No.	Pos.	Description
505 26 58-03	B	Plug
505 26 72-90	B, O	High
505 26 76-73	E	Spacer
505 26 78-79	A	Tube
505 26 79-14	J, O	Galve
505 26 91-07	L	Housing
505 26 91-60	J	Plate
505 26 91-79	K	Starter pawl
505 26 92-78	O	Mounting angle
505 26 94-21	E	Throttle rod
505 26 94-43	E	Choke rod
505 27 08 20	E	Shim
505 27 57-00	B, O	Sad ring
505 27 75-16	K	Insulating cap
505 27 75-66	K	Bearing housing
505 27 91-02	E	Throttle control
505 27 91-04	E	Throttle catch
505 27 91-89	D	Insulating flange
505 27 91-97	E	Plate
505 27 95-07	L	Absorber
505 27 95-11	E	Absorber
505 27 95-17	E	Absorber
505 27 99-35	N	Gasket set
505 29 41-12	B	Spring
505 29 51-10	L	Recoil spring
505 29 56-13	K	Spring
505 29 56-14	E	Spring
505 29 79-17	L	Lock spring
505 30 23-31	G, O	Needle bearing
505 30 24-16	B	Support bushing
505 30 32-12	B	Clutch shoe
505 30 32-50	B	Clutch
505 30 51-20	D	Starter rope
505 31 04-39	L	Intake pipe
505 31 22-25	J	Tank cap
505 31 55-30	D	Air filter
505 31 55-67	D	Pin-filter
505 31 55-73	D	filter
505 31 64-03	M	Gasket set
505 31 64-58	M	Pressure spring
505 31 64-95	M	Sealing ring
505 31 66-02	M	Choke shaft
505 31 66-05	M	Spring
505 31 68-19	M	Throttle shaft
505 31 68-21	D	Carburetor
505 32 56-21	K	Flywheel
505 34 07-54	E	Handle, left half
505 34 09-27	K	Bracket
505 34 12-23	D	Rubber cover
505 34 12-65	C, O	Cylinder cpl.
505 34 12-67	C, O	Piston cpl, 56 mm
505 35 02-50	E	Handle
505 35 04-15	F	Silencer
505 38 13-07	N	Socket wrench
505 39 75-13	H	Information label
505 39 75-73	D	Label start instructions
505 39 75-77	D	Decal
506 01 31-01	A	Bolt
506 02 84-01	A	Washer
506 02 85-72	A	Shaft
506 02 87-C1	A	Washer
506 02 88-30	A	Bushing
506 02 95-01	U, L	Hose
506 02 95-02	H	Hose
506 02 95-03	H	Hose
506 02 96-01	H	Spring
506 02 98-01	H	Control knob
506 02 98-02	H	Control knob
506 02 98-04	H	Lever
506 03 45-01	A	Washer
506 03 62-01	A	Spacer
506 03 62-02	A	Spacer
506 03 62-04	A	Spacer
506 03 88-01	H	Warning label
506 03 85-20	A	Bushing
506 03 95 22	A	Bushing
506 03 95-25	A	Bushing
506 05 58-03	O	Engine short block
606 05 68-02	D	Label
506 05 68-03	D	Label
506 05 69-01	B	Clutch cover
506 05 71-03	A	V-belt protector
506 05 72-01	L	Fan casing

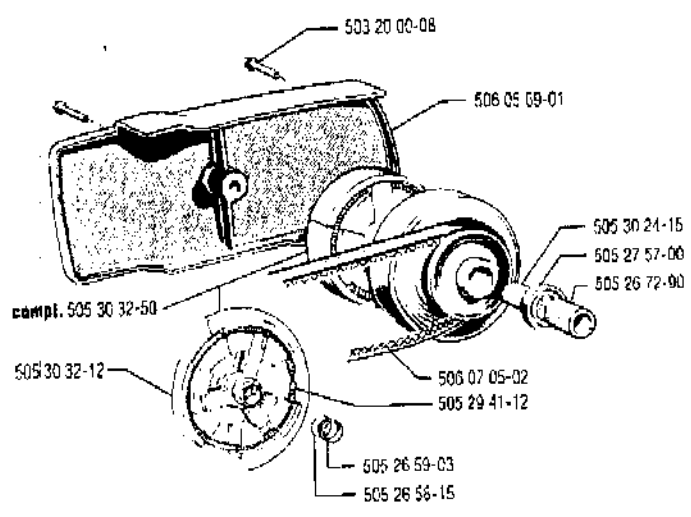
No.	Pos.	Description
506 05 73-01	L	Starter assembly
506 07 01-03	A	Housing
506 07 03-02	H	Clutch drum
506 07 03-03	H	Clutch drum
506 07 03-04	H	Clutch drum
506 07 05-02	B	V-belt
506 07 05-01	A	Mounting plate
506 07 07-01	A	Flange, support
506 07 08-01	A	Spacer
506 07 08-01	A	Washer
506 07 11-13	J	Hex
506 07 13-01	J, O	Spring
506 07 14-02	L	Starter pulley
506 07 15-01	J	Crankcase
506 07 18-02	A	Pulley
506 07 40-02	D	Air filter
506 07 45-01	E	Handle, front
506 07 45-01	E	Handle, front
506 07 61-01	D	Filter holder
506 07 63-01	O	Gasket set
506 07 64-01	D	Filter set
506 07 65-02	O	Seal
506 09 60-01	J	Filter
506 09 61-01	J, O	Gasket
506 09 62-01	C, O	Gasket
506 09 62-02	C	Gasket
506 09 63-01	D	Gasket
506 09 64-01	D	Gasket
506 09 65-01	C	Gasket
506 09 78-01	D	Seal
506 09 77-31	D	Seal
506 09 78-01	D	Cylinder cover
506 13 82-01	H	Guard
506 13 83-07	H	Guard
506 13 95-01	A	Washer
506 13 96-01	A	Screw
506 14 01-01	E	Choke butter
506 14 02-01	E	Handle, right
506 14 12-01	G, O	Crankshaft
506 14 32-02	A	Catch
506 14 40-01	B	Wing nut
506 14 72-04	E	Plug
506 21 21-01	H	Washer
506 21 23-01	D	Gasket
506 21 91-01	J	Grommet
506 22 34-01	J	Tank
506 22 85-01	D	Screw driver guide
506 23 61-01	J	Tank ventilation
506 26 00-01	H	Guard
720 13 07-10	J, O	Pin
721 42 58-20	E	Spring pin 4x24
725 23 27-71	A	Screw
725 52 95-55	K	Screw M6BS 4x20
725 53 33-55	D	Screw M6BS 5x25
729 22 23-01	L	Screw CSK B4x8
731 23 10 01	I	Nut M6x1 M3
735 11 30-50	K	Spring washer 4 3x8
735 11 46-50	D	Spring washer 5.3x10
735 31 09-20	H	E-ring 5
735 31 12-20	J	Retaining ring
735 58 18-00	E	Lock washer 2 4
735 68 06-00	G	Woodruff key
737 43 12-00	G, O	Retaining ring
738 23 02-44	A	Ball bearing
740 48 18-04	J	O-ring

PARTNER

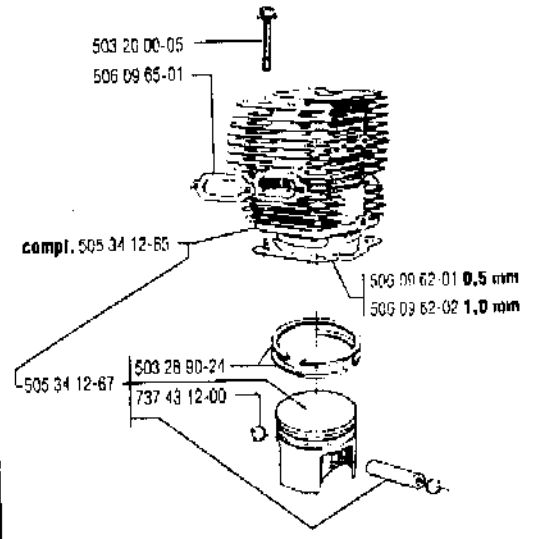
A

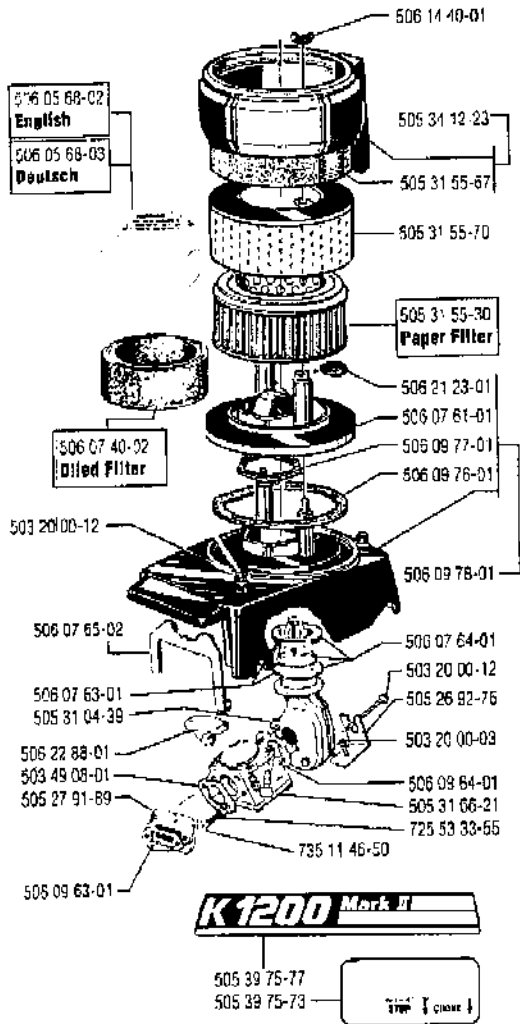
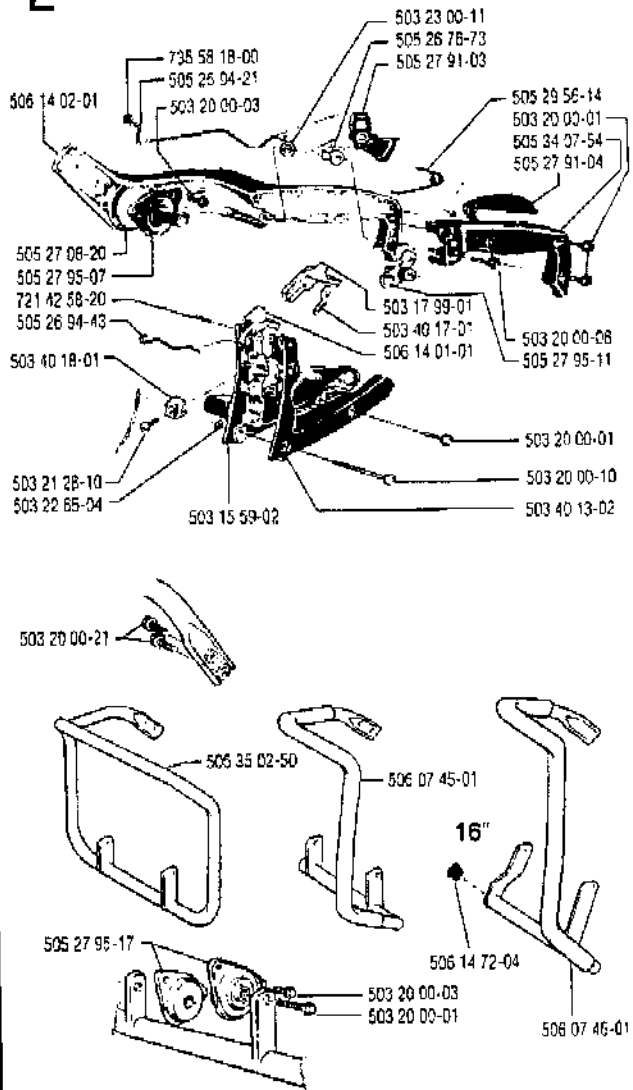
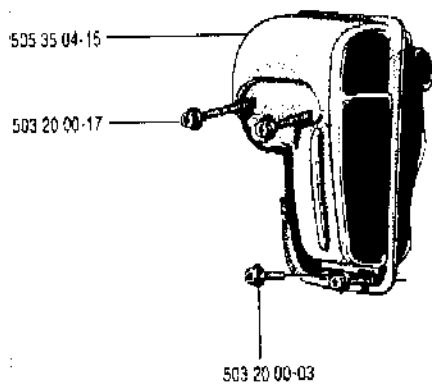
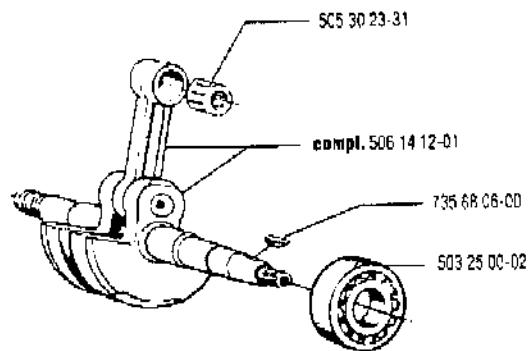


B



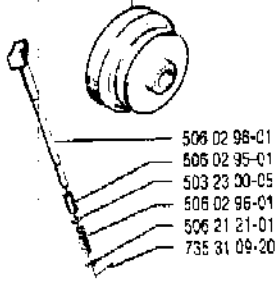
C



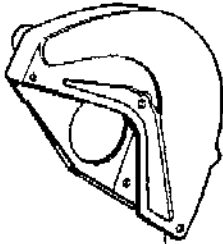
D**E****F****G**

H

12"/100 (red)
505 07 03-03

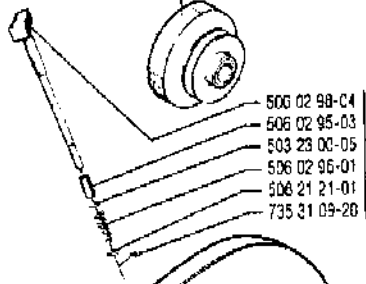


- 506 02 98-01
- 506 02 95-01
- 503 23 00-05
- 506 02 96-01
- 506 21 21-01
- 735 31 09-20

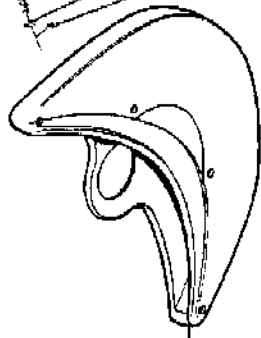


12"
506 26 00-01 compl.

12"/80 + 14"/100 (yellow)
506 07 03-02



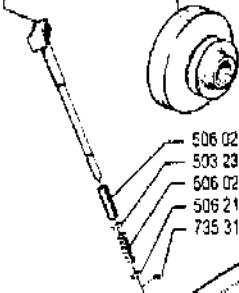
- 506 02 98-04
- 506 02 95-03
- 503 23 00-05
- 506 02 96-01
- 506 21 21-01
- 735 31 09-20



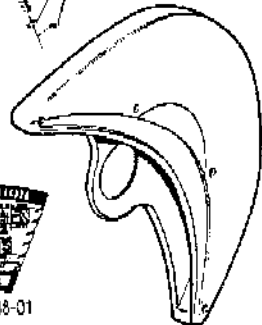
14"
506 13 62-01 compl.

506 02 98-02

16" (blue)
506 07 03-04



- 506 02 95-02
- 503 23 00-05
- 506 02 96-01
- 506 21 21-01
- 735 31 09-20



16"
506 13 63-01 compl.



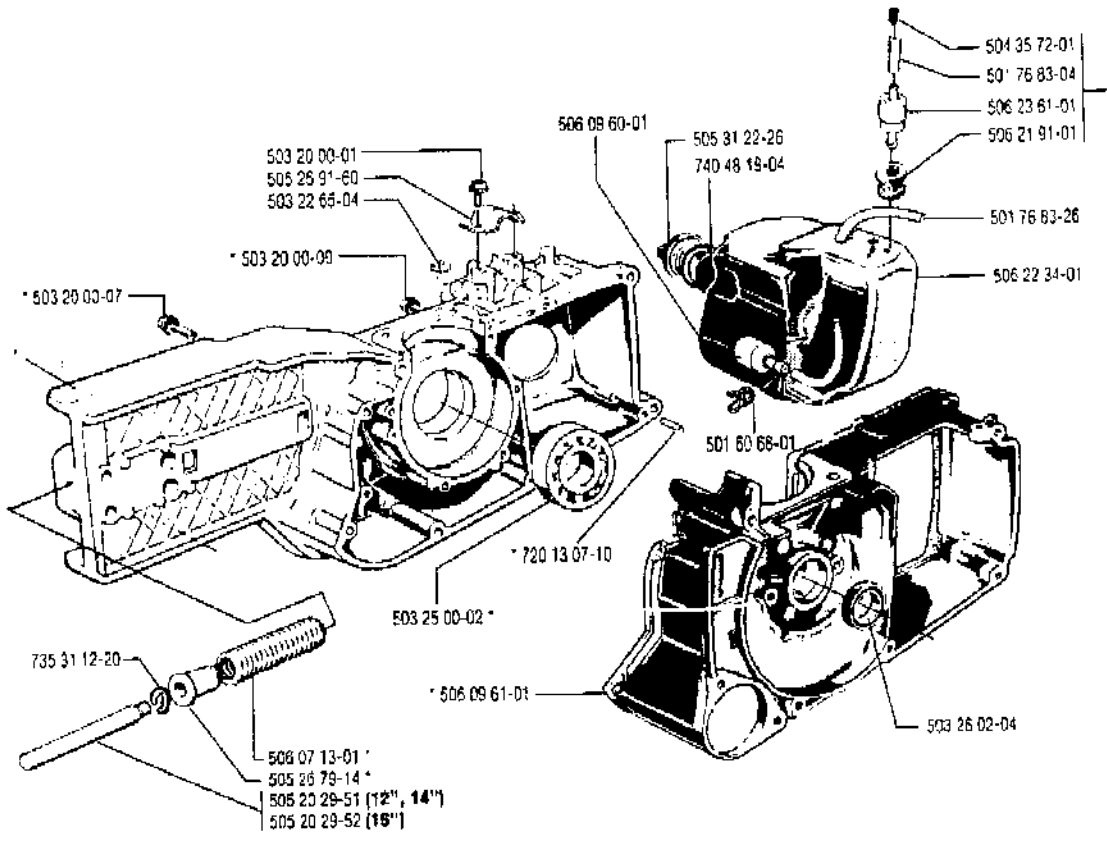
506 03 88-01

505 39 75-13

J

* crankcase compl.
506 07 15-01

compl. 506 07 11-13



- 503 20 00-01
- 505 26 91-60
- 503 22 65-04

* 503 20 00-09

* 503 20 00-07

506 09 60-01

505 31 22-26
740 48 19-04

- 504 35 72-01
- 50 76 83-04
- 506 23 61-01
- 506 21 91-01

501 76 83-26

506 22 34-01

501 60 66-01

* 720 13 07-10

503 25 00-02 *

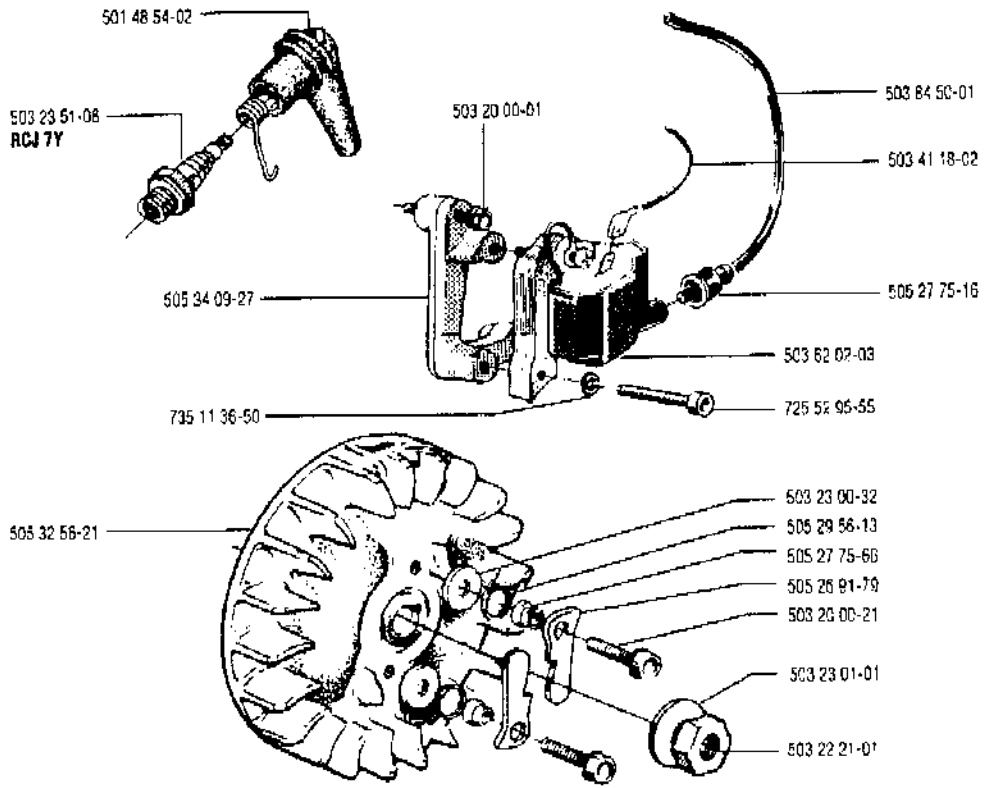
735 31 12-20

* 506 09 61-01

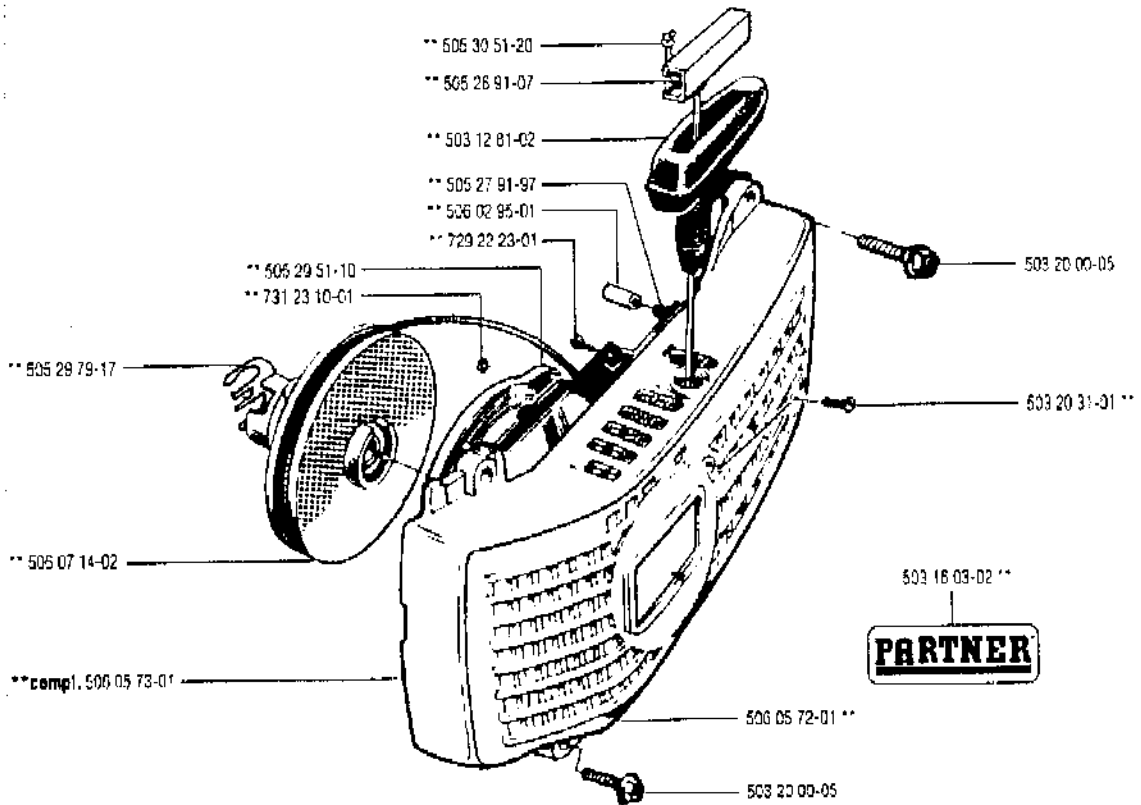
503 26 02-04

- 506 07 13-01 *
- 505 26 79-14 *
- 505 20 29-51 (12", 14")
- 505 20 29-52 (16")

K



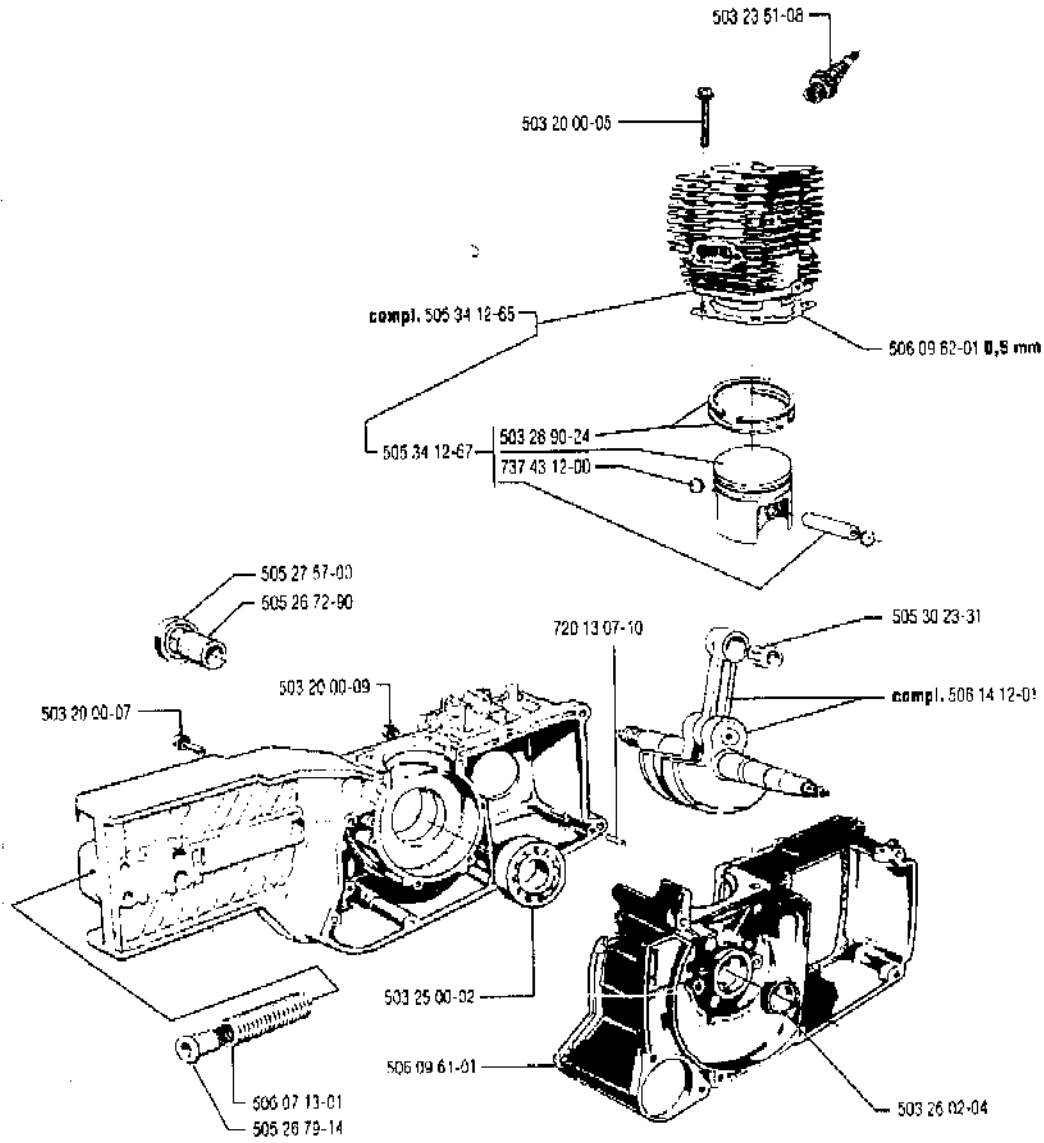
L



PARTNER

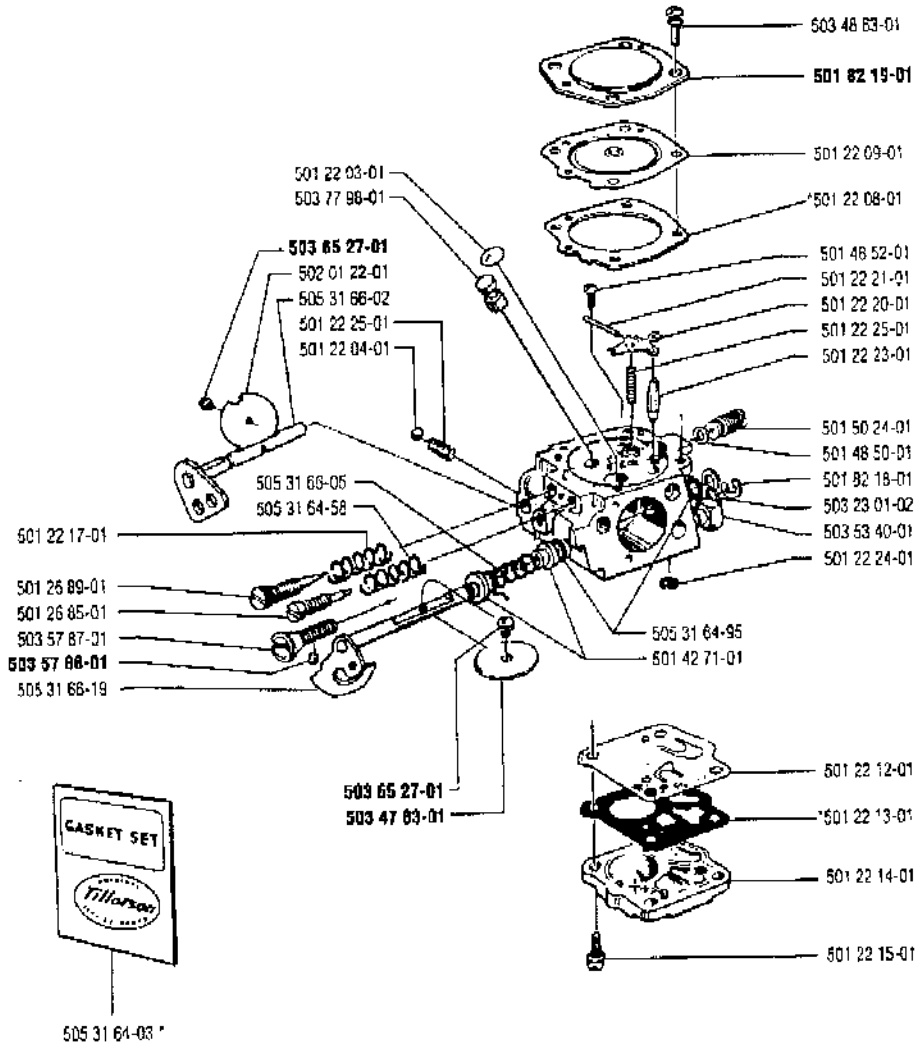
O

Engine short block
compl. 504 05 58-03



M

compl. 505 31 66-21
Tillotson HS 175 D



N

