

# **K 650**

# **Active**

RESERVDLAR  
SPARE PARTS  
ERSATZTEILE  
PIECES DE RECHANGE  
PIEZAS DE REPUESTO  
RICAMBI  
PEÇAS SOBRESSELENTE

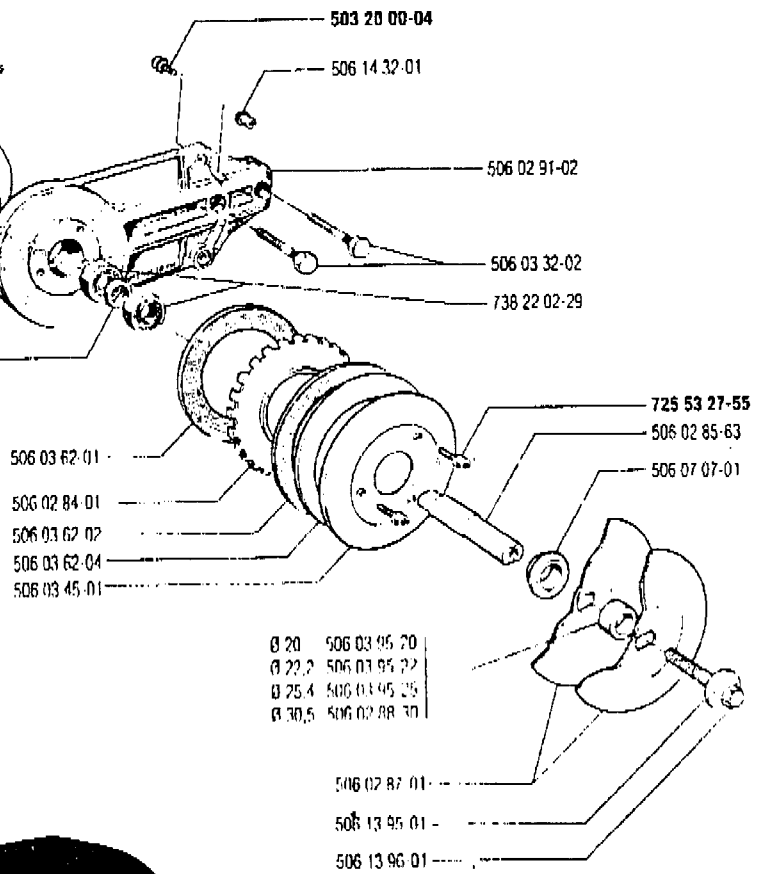
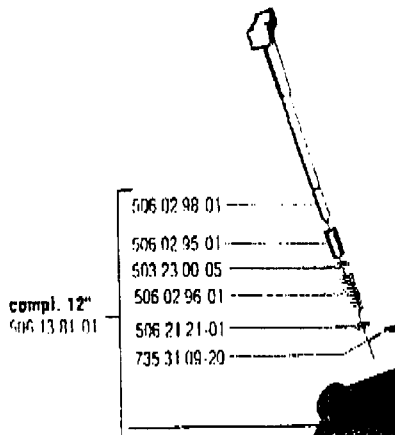
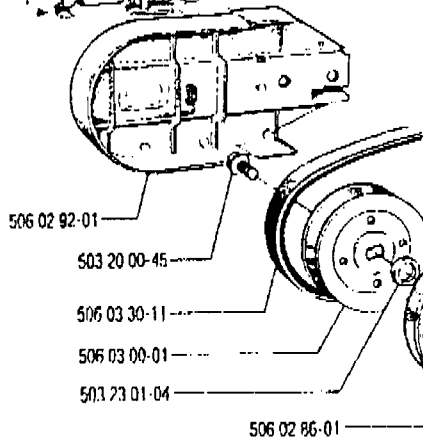
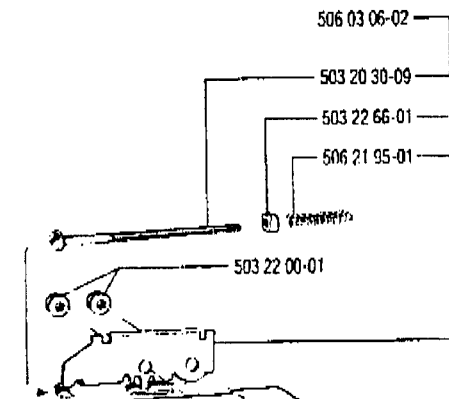
No.	Pos.	No.	Pos.	No.	Pos.	No.	Pos.
501 22 02-01	0	503 23 01-11	R	506 02 92-01	A	506 23 64 03	H
501 22 03 01	0	503 23 51-08	K	506 02 95-01	A	506 23 64-05	H
501 22 04-01	0	503 25 00-01	E, G	506 02 96-01	A	506 23 64-09	H
<b>501 22 05-01</b>	<b>0</b>	503 26 02-04	G	506 02 98-01	A	506 23 82 01	0
501 22 12-01	0	503 28 90-17	C	506 03 00-01	A	506 23 83 01	0
501 22 13-01	0	503 40 13-02	M	506 03 06-02	A	506 23 93-01	H
501 22 14 01	0	503 40 17-01	M	506 03 30-11	A	<b>506 25 33-01</b>	<b>F</b>
501 22 15-01	0	503 40 27-01	G	506 03 32 02	A, G	<b>506 25 34-01</b>	<b>F</b>
501 22 17-01	0	503 41 18 02	K	506 03 45-01	A	<b>506 25 64-01</b>	<b>0</b>
501 22 20 01	0	503 43 19-01	J	506 03 62-01	A	<b>506 25 59-02</b>	<b>G</b>
501 22 21 01	0	503 43 21-04	J	506 03 62-02	A	<b>506 25 71-01</b>	<b>F, 0</b>
501 22 23 01	0	503 44 31 01	G	506 03 62 04	A	<b>506 25 84-01</b>	<b>0</b>
501 22 24 01	0	<b>503 47 83-01</b>	<b>0</b>	<b>506 03 88-01</b>	<b>A</b>	<b>506 25 85-01</b>	<b>0</b>
501 22 25 01	0	503 48 63-01	0	506 03 95 20	A	<b>506 25 86-01</b>	<b>0</b>
501 26 85 01	0	503 49 08-01	F	506 03 95-22	A	<b>506 25 88-01</b>	<b>0</b>
501 26 89 01	0	503 49 09-01	F	506 03 95-25	A		
501 27 82-01	G	503 49 10-01	C	506 03 99-01	N	720 13 07-10	G
501 42 71 01	0	<b>503 53 36-01</b>	<b>0</b>	506 07 07-01	A		
501 48 50 01	0	503 53 40-01	0	506 07 11-13	G	721 42 58-20	M
501 48 52-01	0	503 55 22-01	C	506 07 25-01	B		
501 48 54-02	K	<b>503 57 86-01</b>	<b>0</b>	506 07 26-02	N	725 52 95-55	11, K
501 60 68-01	G	503 57 87-01	0	506 07 37 01	B	<b>725 53 27-55</b>	<b>A</b>
501 63 48-01	K	503 57 89 01	G	506 07 66-02	G		
501 67 32-03	K	<b>503 65 27-01</b>	<b>0</b>	506 09 60 01	G	735 11 36-50	K
501 69 17-02	P	503 71 53-01	C	506 09 64-01	F	735 31 09-20	A
501 76 83-04	G	503 77 98-01	0	506 09 82-01	B	735 58 18-00	L
501 76 83-26	G	<b>503 84 50-01</b>	<b>K</b>	506 09 90-01	C	735 88 06-00	E
501 81 99 01	K			506 09 92 32	G		
501 82 18 01	0	504 35 72 01	G	506 13 81-01	A	737 43 12-00	C
				506 13 95 01	A		
502 21 58 01	P	505 26 76-73	L	506 13 96 01	A	738 22 02-29	A
		505 26 83 03	R	506 14 32 01	A		
503 12 79 02	J	505 26 94 27	I	506 14 42 01	N		
503 15 59 02	M	505 27 57-15	R	506 21 21 01	A		
503 15 80 01	F	505 27 72 30	R	506 21 23 01	11		
503 20 00-01	I, M	505 27 75 16	K	506 21 27 02	C		
503 20 00 04	H, A	505 27 90 60	F	506 21 28 01	C		
503 20 00 05	C, D, N	505 27 94-03	I	506 21 41 01	F		
503 20 00 07	G	505 27 91 04	I	<b>506 21 77-12</b>	<b>H</b>		
503 20 00 08	G, I, N	505 27 95 11	I	506 21 78 11	11		
503 20 00 09	D	505 27 95 12	11	506 21 79 01	11		
503 20 00 10	M	505 27 95 13	N	506 21 86 02	Y		
503 20 00 12	B	505 29 56-14	I	<b>506 21 89-02</b>	<b>J</b>		
503 20 00 35	N	505 30 23-33	I	506 21 90 01	J		
503 20 00 45	A	505 30 24 15	R	506 21 91 01	G		
503 20 02 10	11	505 30 32 37	R	506 21 93 01	G		
503 20 02 90	11	505 30 32 47	R	506 21 95 01	A		
503 20 21 75	F	505 30 51 20	J	506 21 98 01	11		
503 20 30 09	A	505 31 64 58	0	506 22 23 01	11		
503 20 32 42	H	505 31 64 95	0	506 22 24 01	11		
<b>503 20 34-19</b>	<b>J</b>	<b>505 31 64-96</b>	<b>0</b>	<b>506 22 42-72</b>	<b>H</b>		
<b>503 20 34-25</b>	<b>J</b>	505 31 66 05	0	506 22 44 01	M		
<b>503 21 07-22</b>	<b>J</b>	505 31 66-19	0	506 22 45 01	M		
503 21 28 10	J, M	505 34 07-54	L	506 22 47 01	M		
503 22 00 01	A, B	505 34 07 95	I	506 22 48 01	M		
503 22 21 01	K	505 35 01 50	D	506 22 62 10	11		
503 22 65 01	M, N	<b>505 39 75-13</b>	<b>A</b>	506 22 63 01	11		
503 22 66 01	A	<b>505 39 75-88</b>	<b>B</b>	<b>506 22 88-02</b>	<b>F</b>		
503 23 00 05	A	506 02 72 07	K	<b>506 23 52-02</b>	<b>P</b>		
503 23 00 11	I	506 02 84 01	A	506 23 53 01	11		
503 23 00 24	J	506 02 85-63	A	506 23 54-01	J		
503 23 00 42	T, K	506 02 86-01	A	506 23 55 01	J		
503 23 01 01	K	506 02 87 01	A	506 23 61 01	G		
503 23 01 02	0	506 02 88 30	A	506 23 64 01	H		
503 23 01 04	A	506 02 91 02	A	506 23 64 02	11		

**PARTNER**

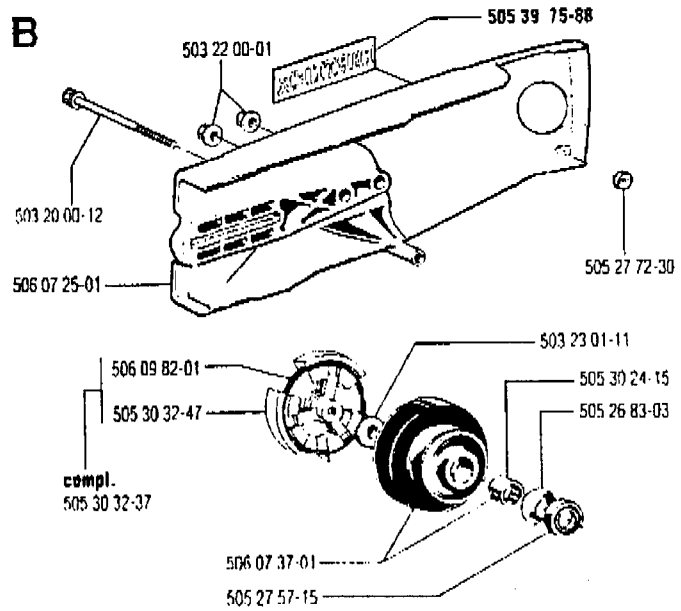
Printed in Sweden

108 07 02-83

A

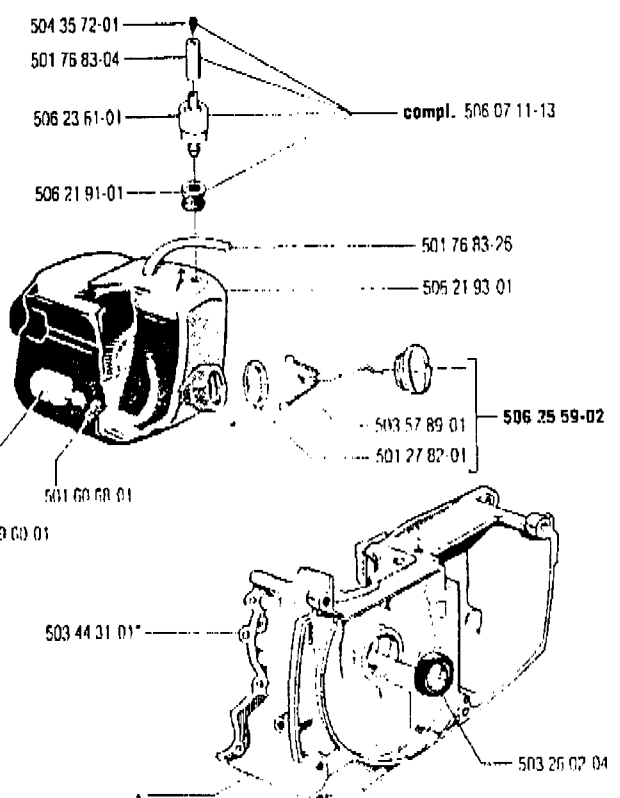
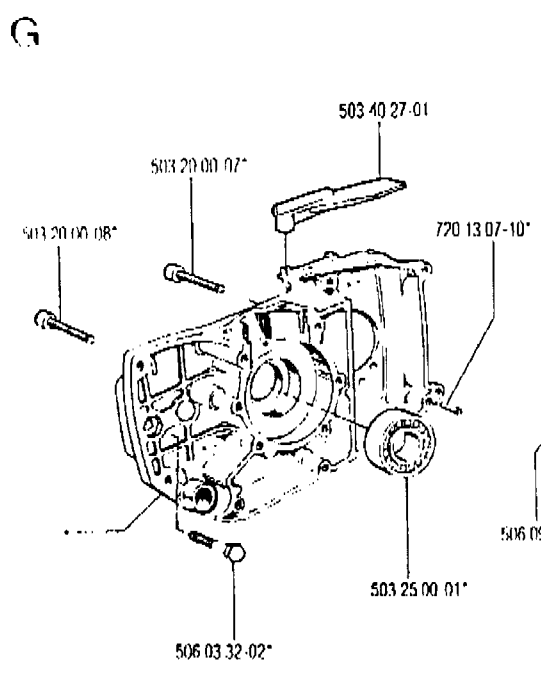
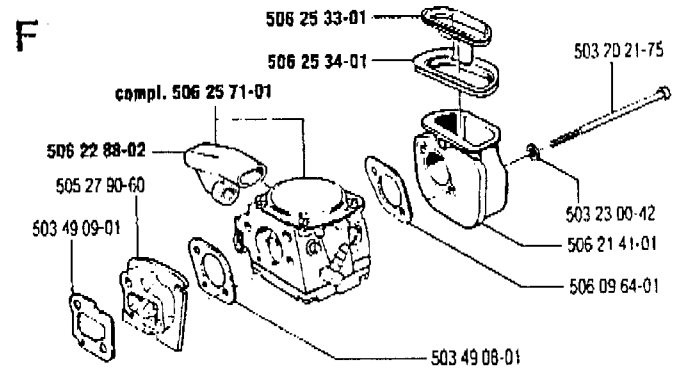
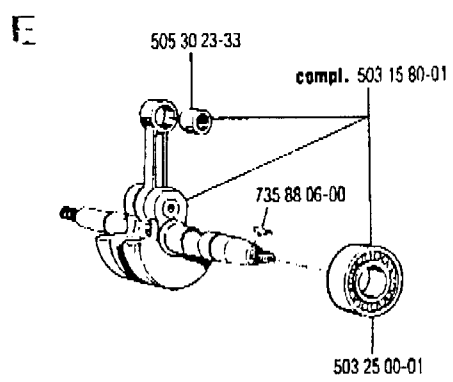
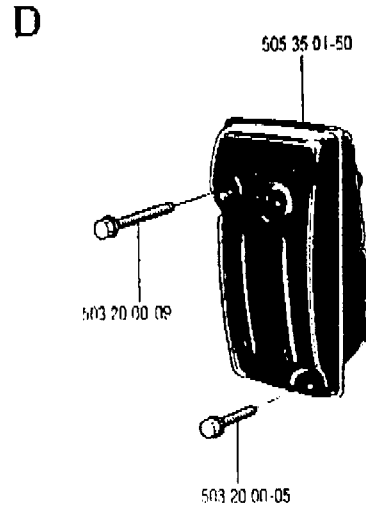
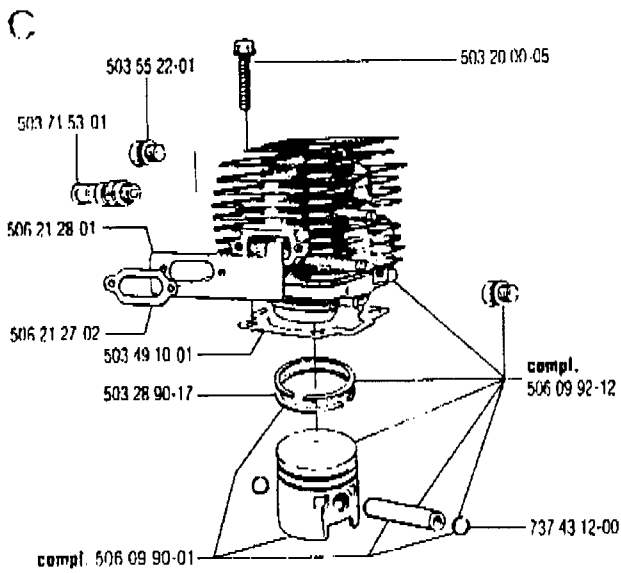


B



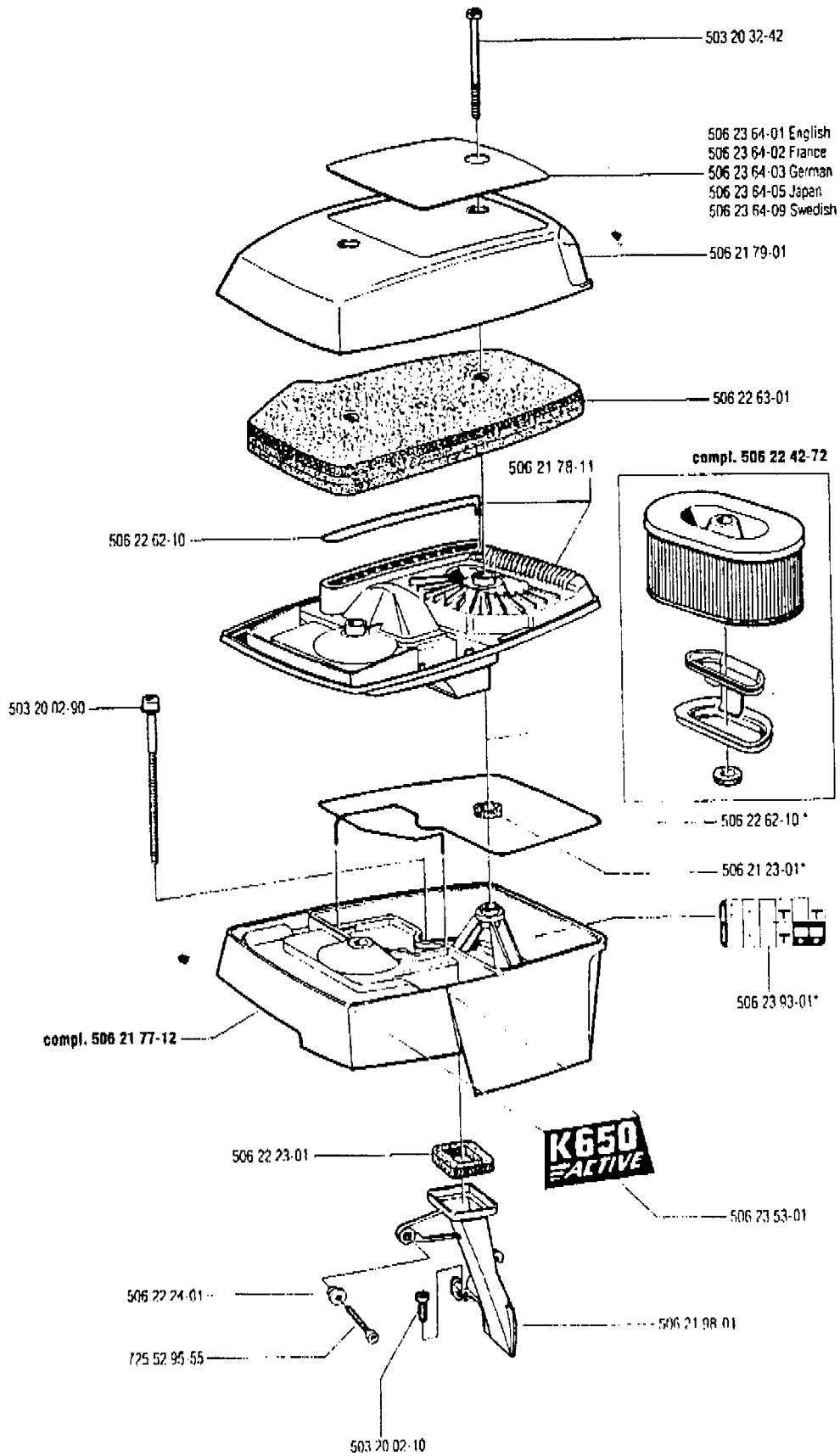
505 39 75-13



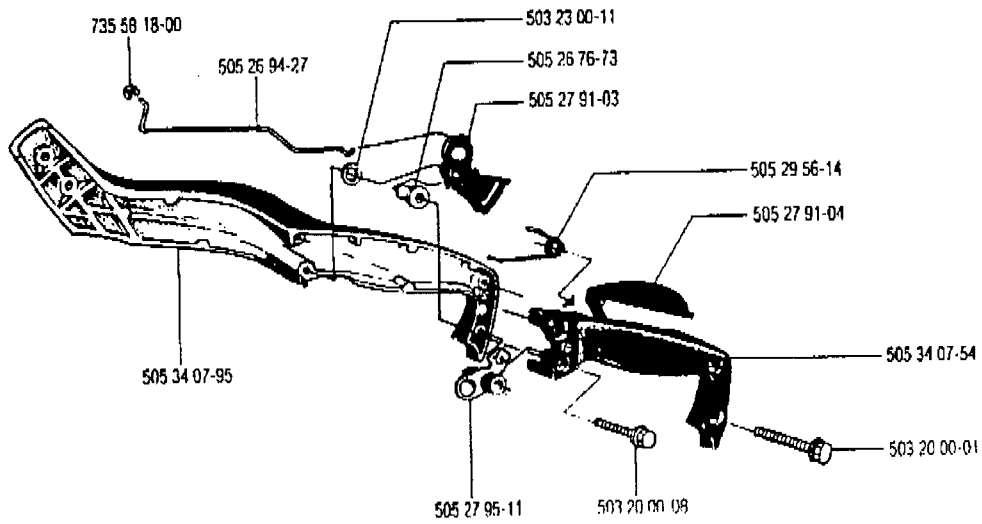


\* crankcase compl. 506 07 86-07

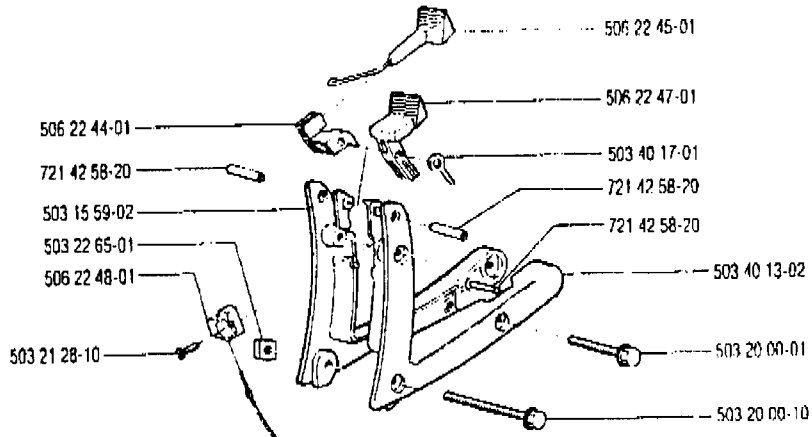
H



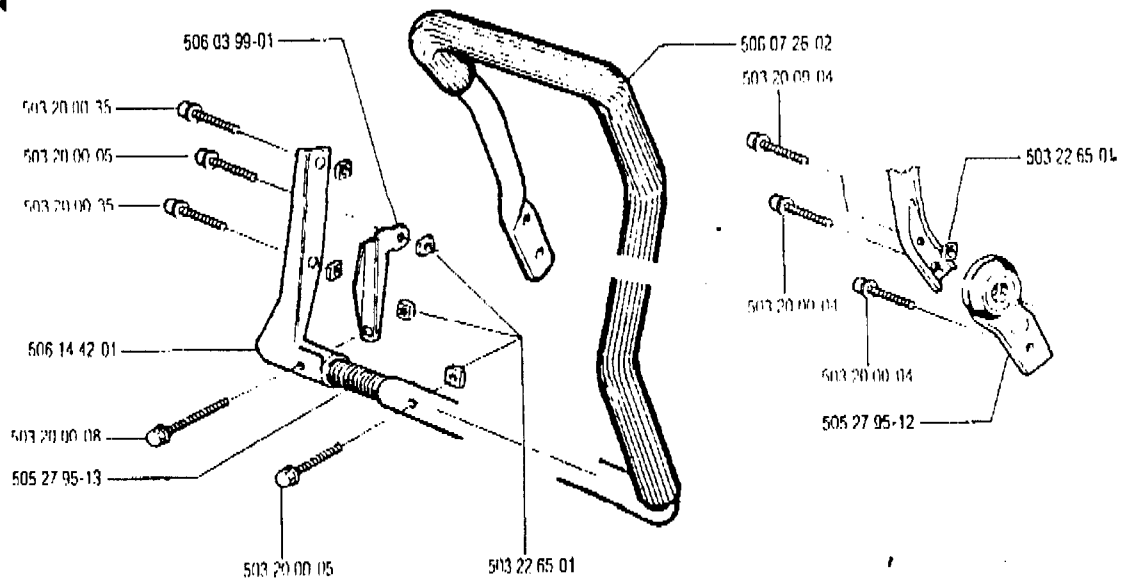
L



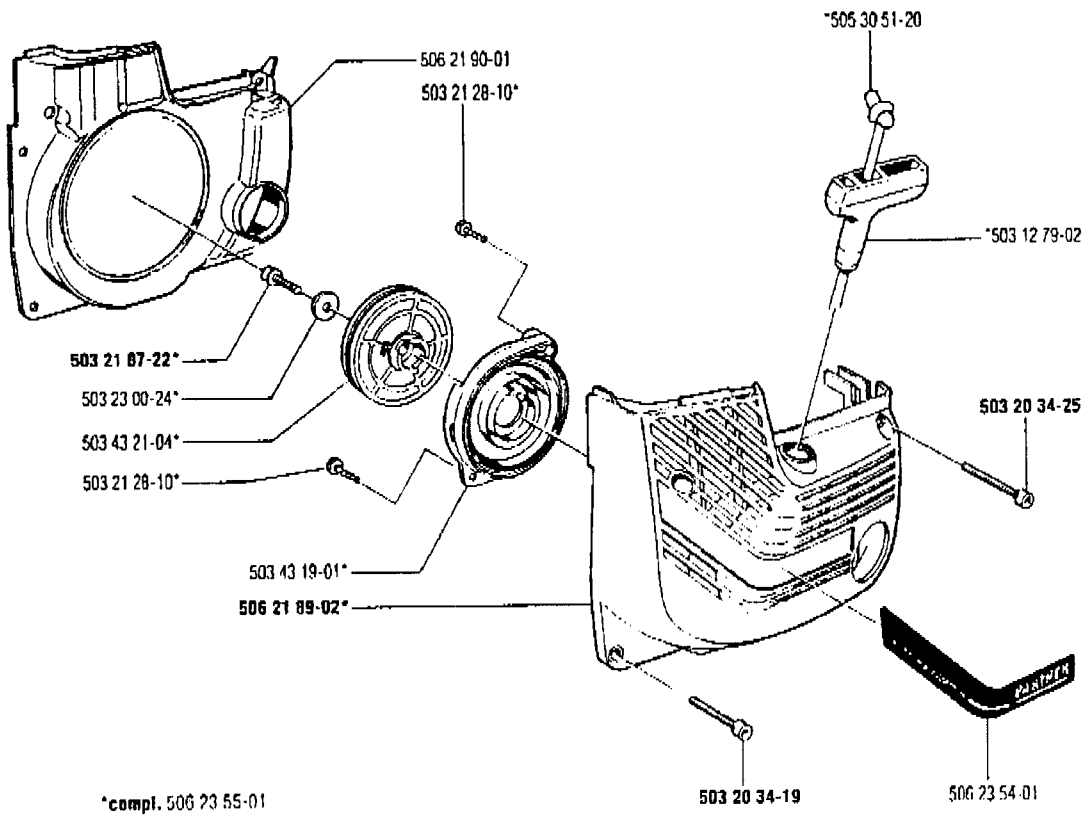
M



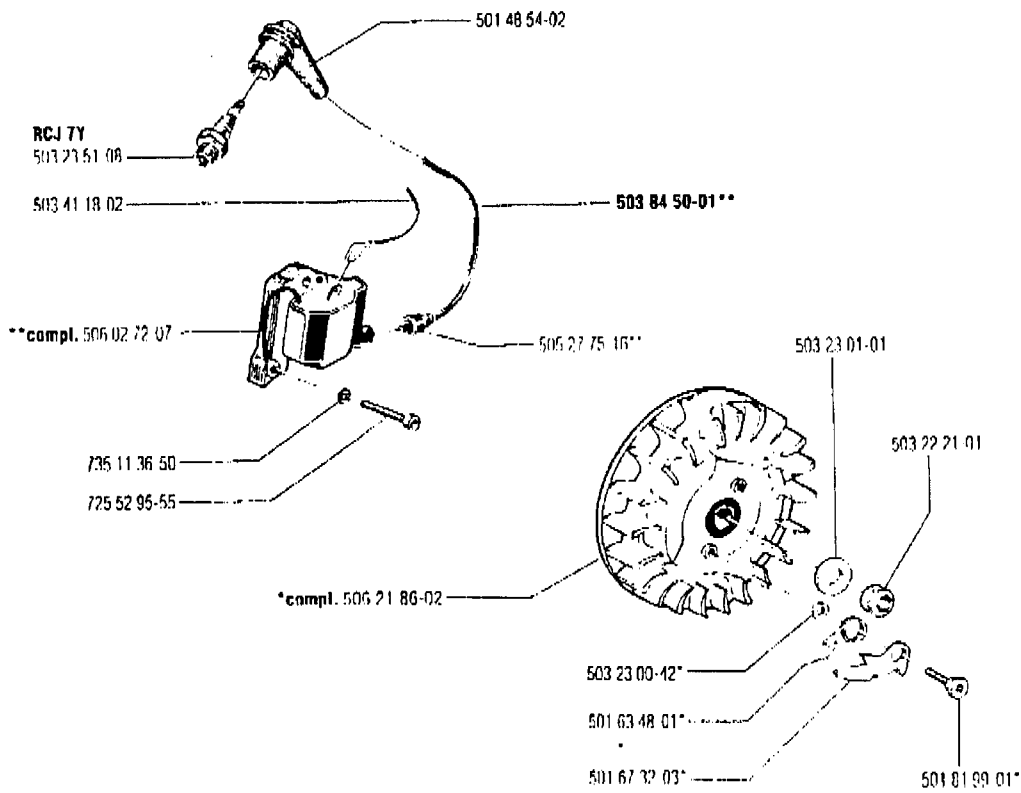
N



J

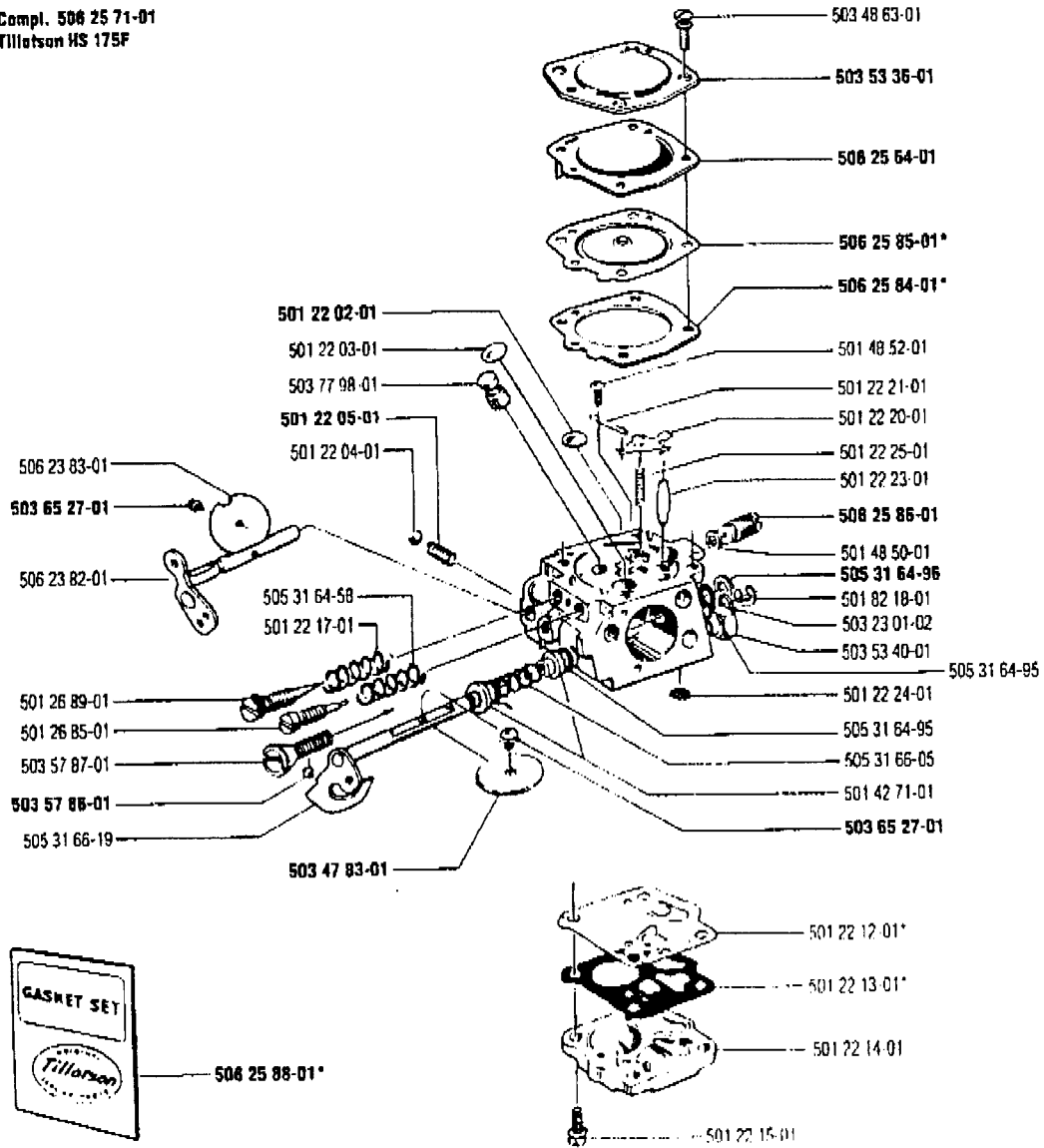


K



O

Compl. 506 25 71-01  
Tillotson HS 175F



P

